



US00D643975S

(12) **United States Design Patent**
Martinelli

(10) **Patent No.:** **US D643,975 S**

(45) **Date of Patent:** **** Aug. 23, 2011**

(54) **HAIR ROLLER**

(76) Inventor: **Suzanne Martinelli**, Wilmington, DE
(US)

(**) Term: **14 Years**

(21) Appl. No.: **29/378,608**

(22) Filed: **Nov. 5, 2010**

(51) **LOC (9) Cl.** **28-03**

(52) **U.S. Cl.** **D28/37**

(58) **Field of Classification Search** D28/35-38;
132/254-260

See application file for complete search history.

(56) **References Cited**

U.S. PATENT DOCUMENTS

3,241,561	A *	3/1966	Richmond	132/254
3,421,523	A	1/1969	Owens et al.	
3,495,602	A *	2/1970	Pomaro	132/251
3,693,636	A *	9/1972	Tomiasi	132/229
3,696,820	A *	10/1972	Lara	132/239
D226,291	S *	2/1973	Gebhart	D28/37
3,862,637	A *	1/1975	Petri	132/255
3,905,380	A	9/1975	Bontempi	
4,056,109	A *	11/1977	Takai	132/253
4,192,327	A *	3/1980	Vasiliou	132/255
D257,595	S *	12/1980	Bullock	D28/37
4,361,159	A *	11/1982	Stefaniak	132/251
5,551,457	A	9/1996	Williamson	
6,026,826	A	2/2000	Hall et al.	

D439,373	S	3/2001	Cheung	
D469,924	S *	2/2003	Farrell	D28/37
2004/0031501	A1 *	2/2004	Walsh et al.	132/225
2008/0257373	A1 *	10/2008	Cheung	132/249

* cited by examiner

Primary Examiner — Jennifer Rivard

(74) *Attorney, Agent, or Firm* — Jeffrey C. Lew

(57) **CLAIM**

I claim the ornamental design for a hair roller, as shown and described.

DESCRIPTION

FIG. 1 is a rear perspective view of a hair roller according to this design.

FIG. 2 is a first side elevation view of the hair roller according to this design.

FIG. 3 is a second side elevation view of the hair roller according to this design.

FIG. 4 is a top view of the hair roller according to this design.

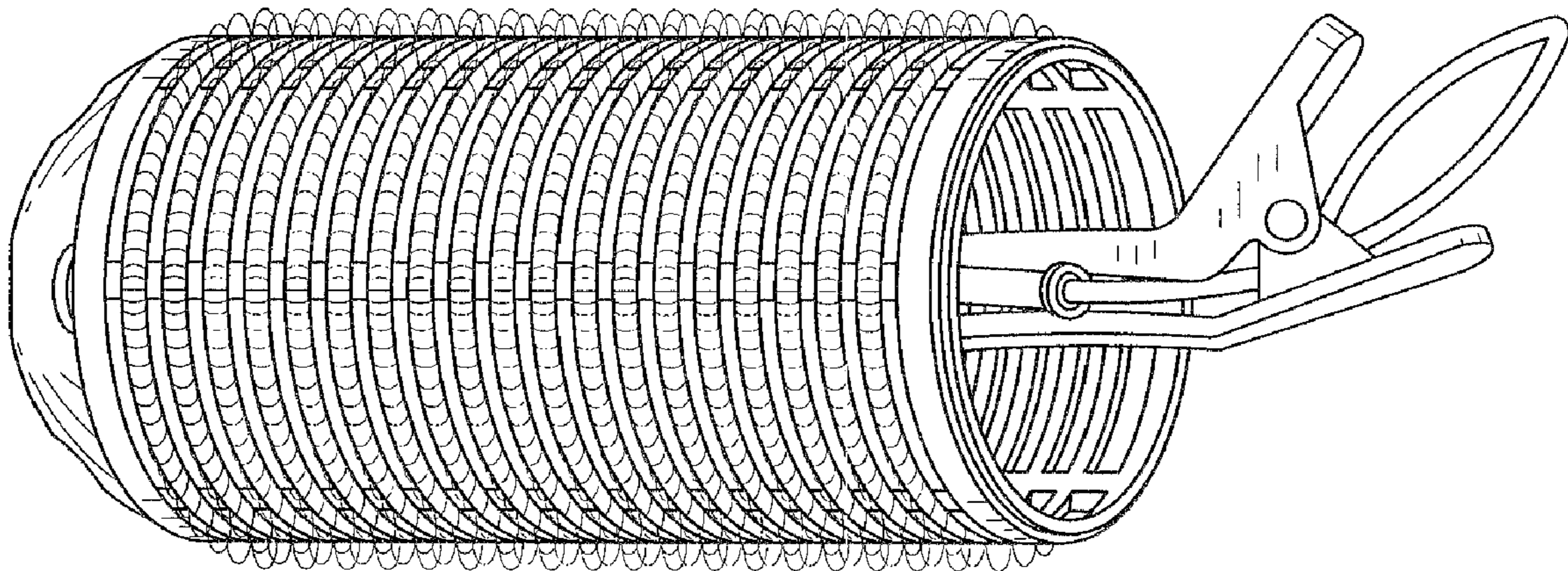
FIG. 5 is a bottom view of the hair roller according to this design.

FIG. 6 is a rear elevation view of the hair roller according to this design; and,

FIG. 7 is a front elevation view of the hair roller according to this design.

A characteristic feature of the design resides in the appearance resemblance to an aerial bombshell.

1 Claim, 3 Drawing Sheets



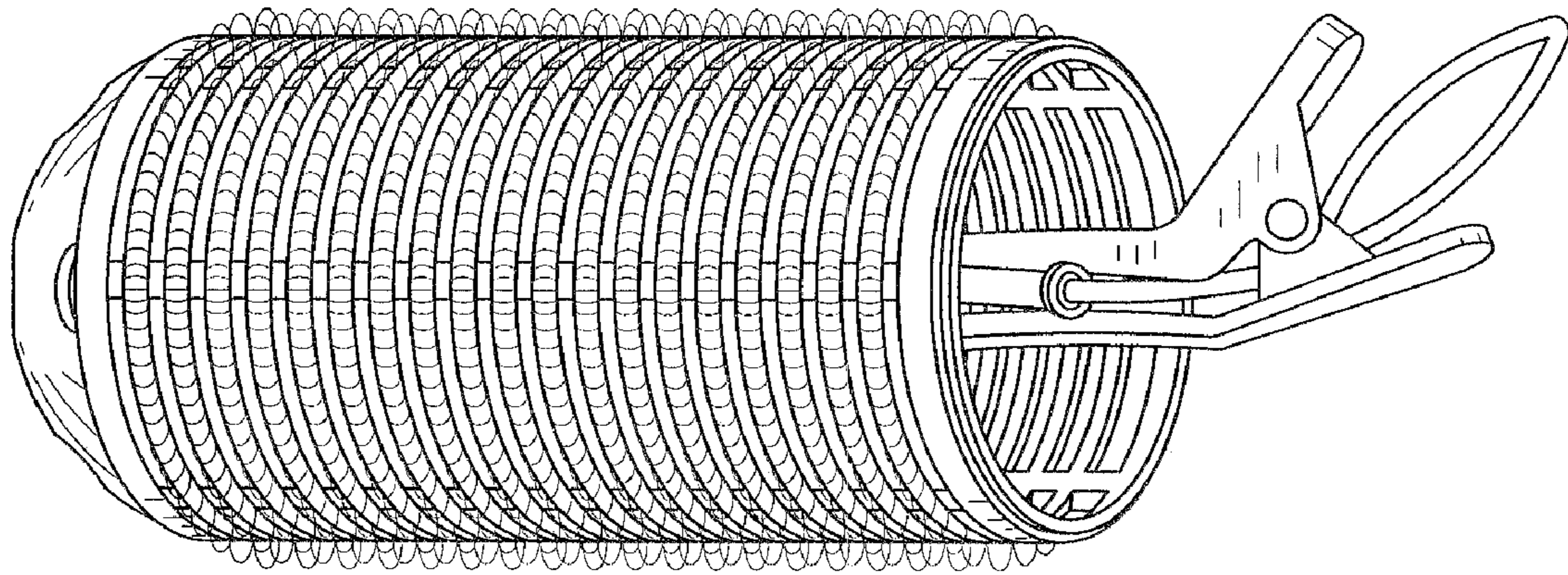


Fig. 1

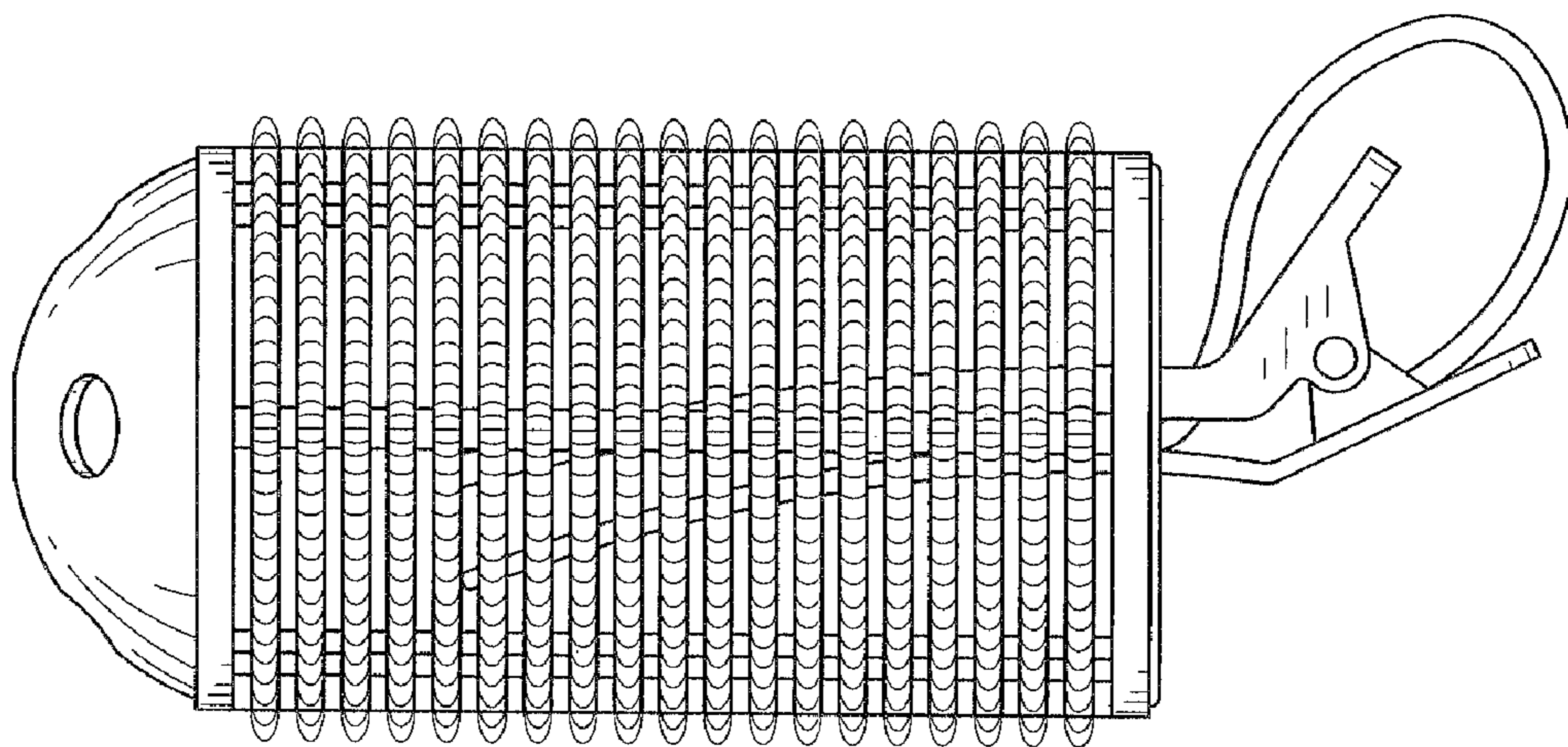


Fig. 2

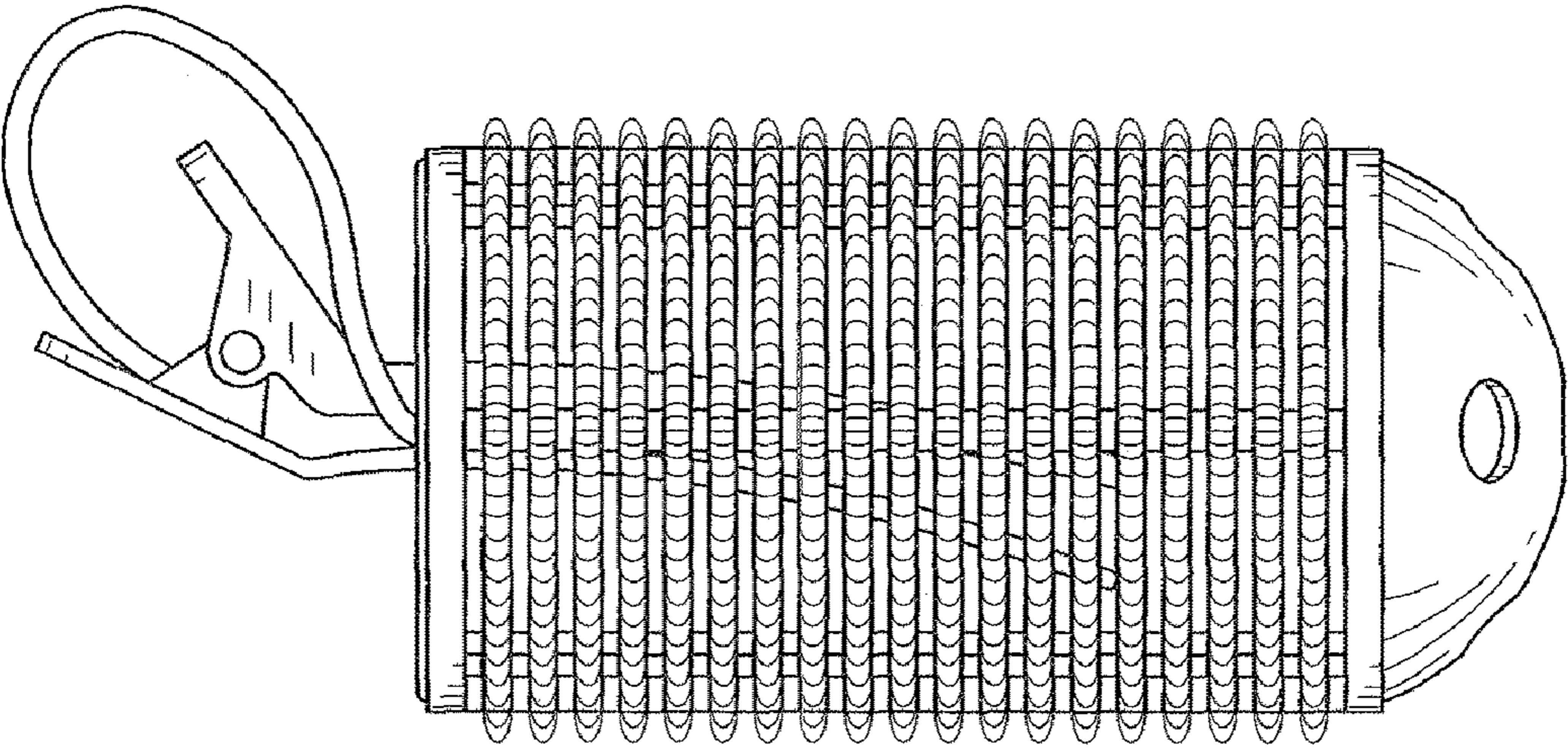


Fig. 3

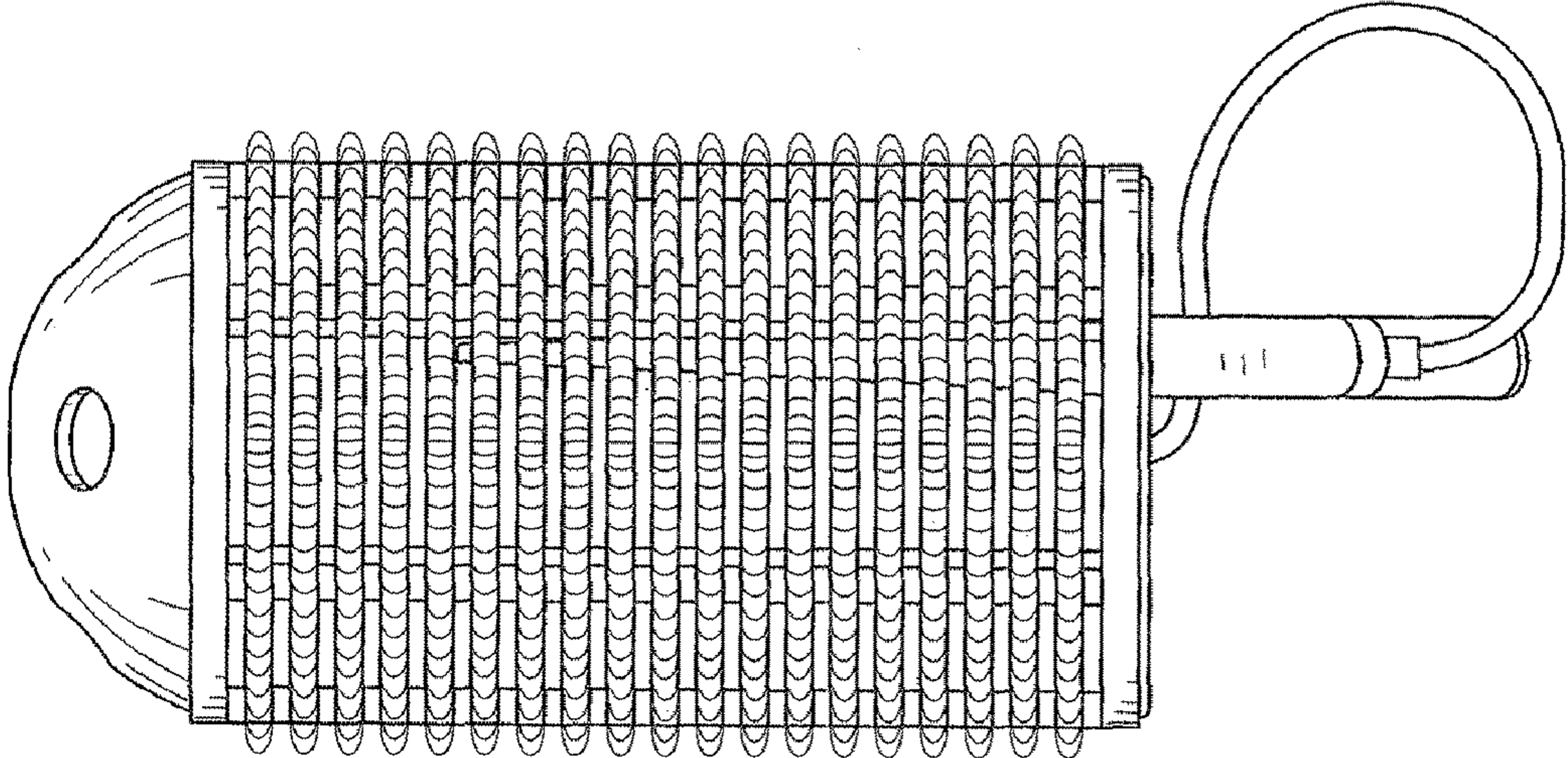


Fig. 4

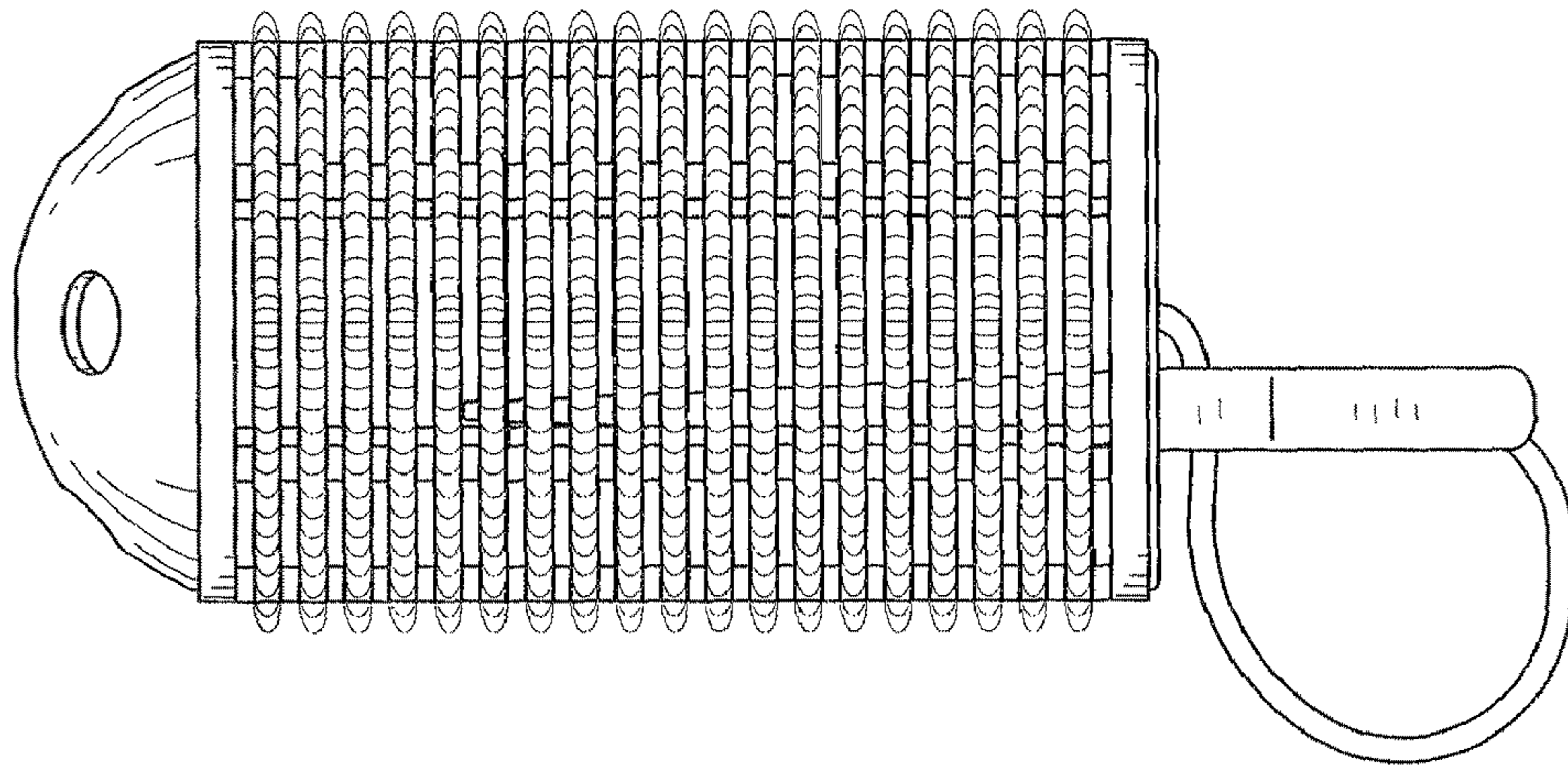


Fig. 5

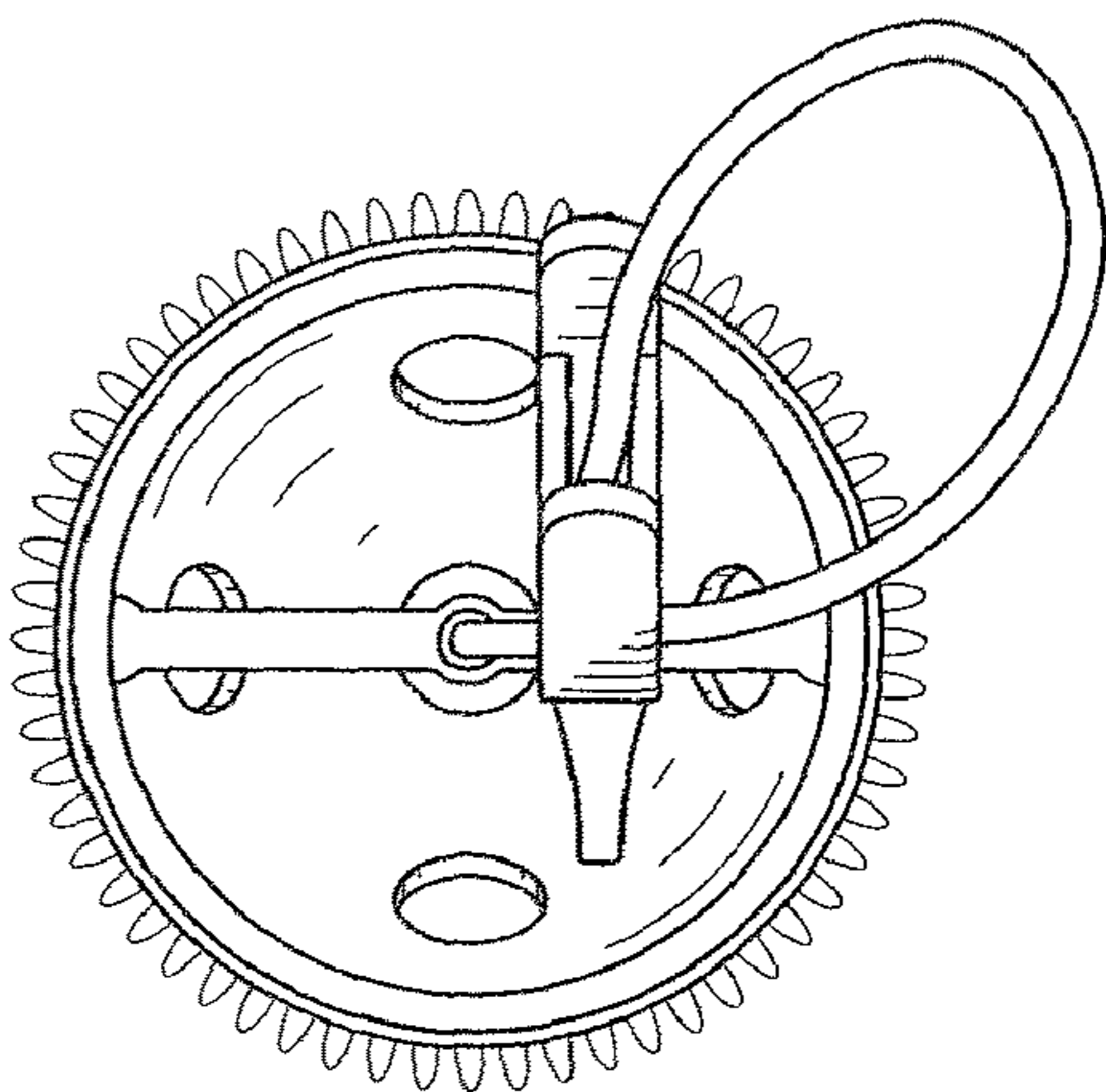


Fig. 6

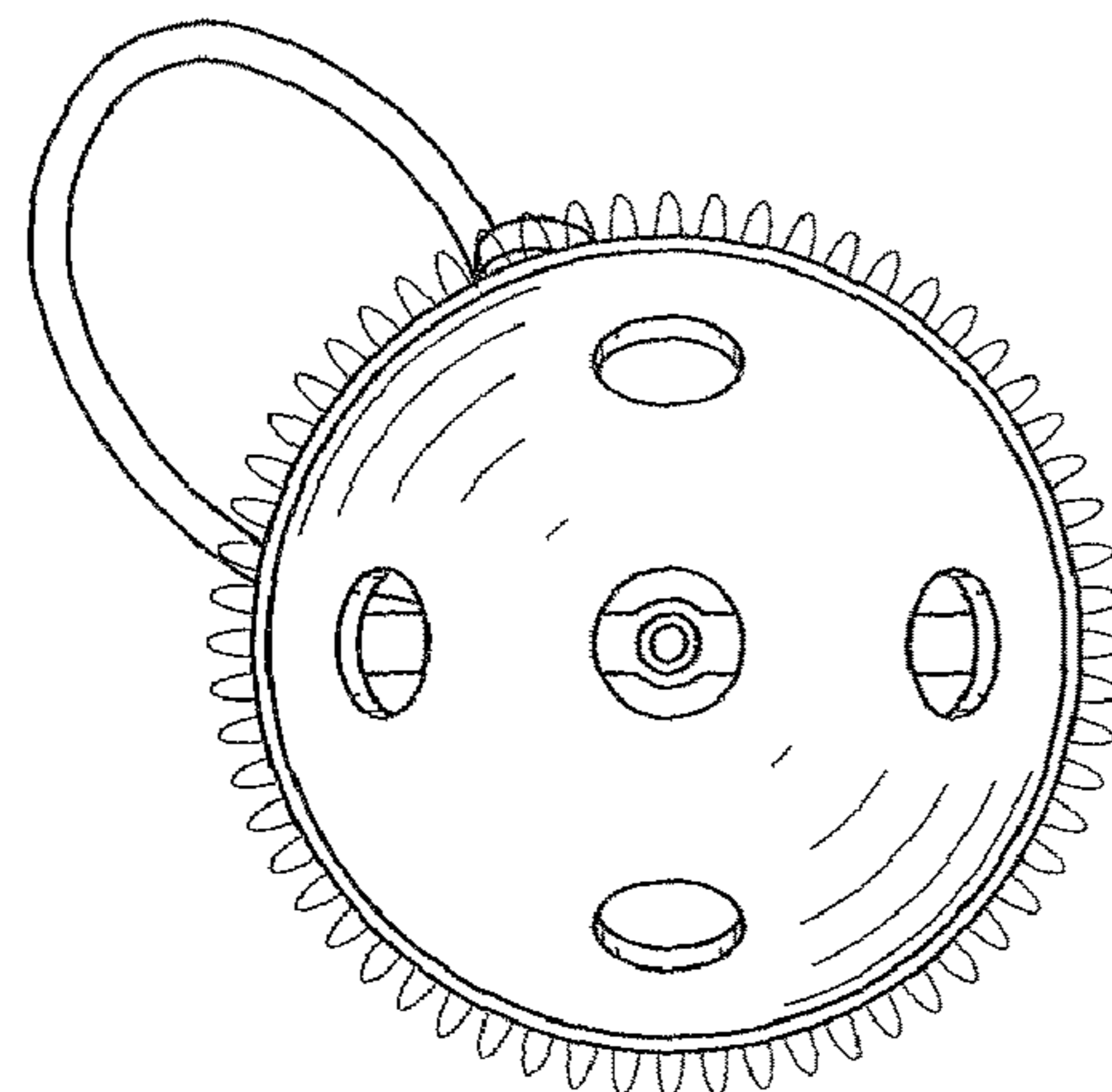


Fig. 7