



US00D643973S

(12) **United States Design Patent**
Nürnberg

(10) **Patent No.:** **US D643,973 S**

(45) **Date of Patent:** **** Aug. 23, 2011**

(54) **FILTER TUBE INJECTOR**

(75) Inventor: **Vanessa Nürnberg, Köln (DE)**

(73) Assignee: **Gizeh Raucherbedarf GmbH,**
Gummersbach (DE)

(**) Term: **14 Years**

(21) Appl. No.: **29/314,335**

(22) Filed: **Mar. 21, 2009**

(30) **Foreign Application Priority Data**

Sep. 26, 2008 (EM) 001 010 375

(51) **LOC (9) Cl.** **27-99**

(52) **U.S. Cl.** **D27/194**

(58) **Field of Classification Search** D27/194,
D27/196; D15/145; 131/280, 70-75
See application file for complete search history.

(56) **References Cited**

U.S. PATENT DOCUMENTS

4,620,551	A *	11/1986	Ruppert et al.	131/75
4,771,793	A *	9/1988	Kastner	131/70
5,398,701	A *	3/1995	Neumann et al.	131/70
5,450,861	A *	9/1995	Colani	131/70
D366,053	S *	1/1996	Neumann et al.	D15/145
5,657,768	A *	8/1997	Neumann et al.	131/70
D436,687	S *	1/2001	Kastner	D27/194
6,206,006	B1 *	3/2001	Schutze et al.	131/70
6,345,624	B1 *	2/2002	Kastner	131/70
D473,339	S *	4/2003	Yu	D27/194
6,571,800	B1 *	6/2003	Yu	131/70

D492,445	S *	6/2004	Parcevaux	D27/194
D494,315	S *	8/2004	Cartier	D27/194
6,978,789	B2 *	12/2005	Garbarino	131/70
D547,002	S *	7/2007	Lin	D27/194
D569,033	S *	5/2008	Parcevaux	D27/194
2004/0200485	A1 *	10/2004	Garbarino	131/70
2010/0229880	A1 *	9/2010	Bao	131/70

* cited by examiner

Primary Examiner — Stella Reid

Assistant Examiner — Keli L Hill

(74) *Attorney, Agent, or Firm* — Norman B. Thot

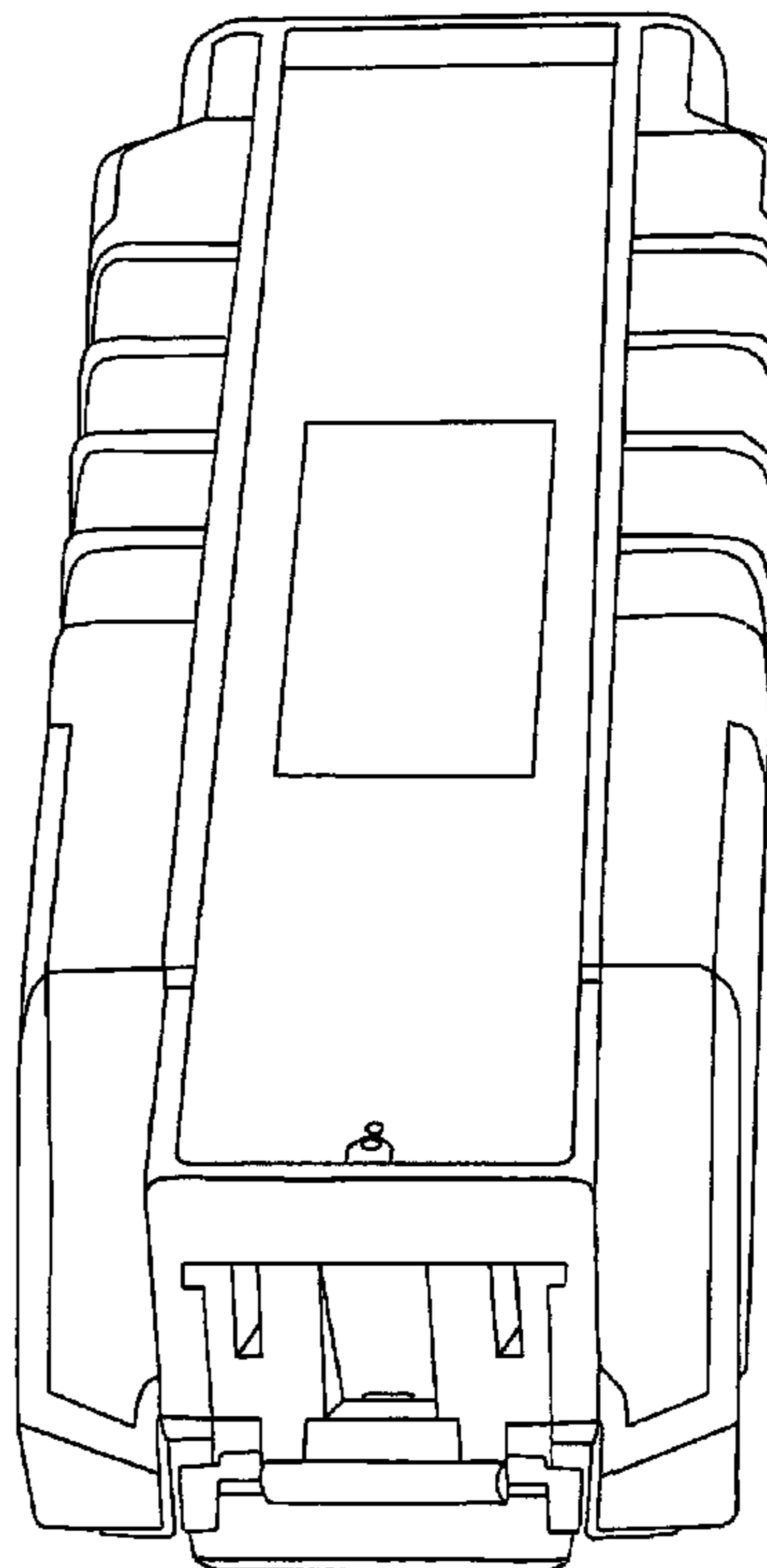
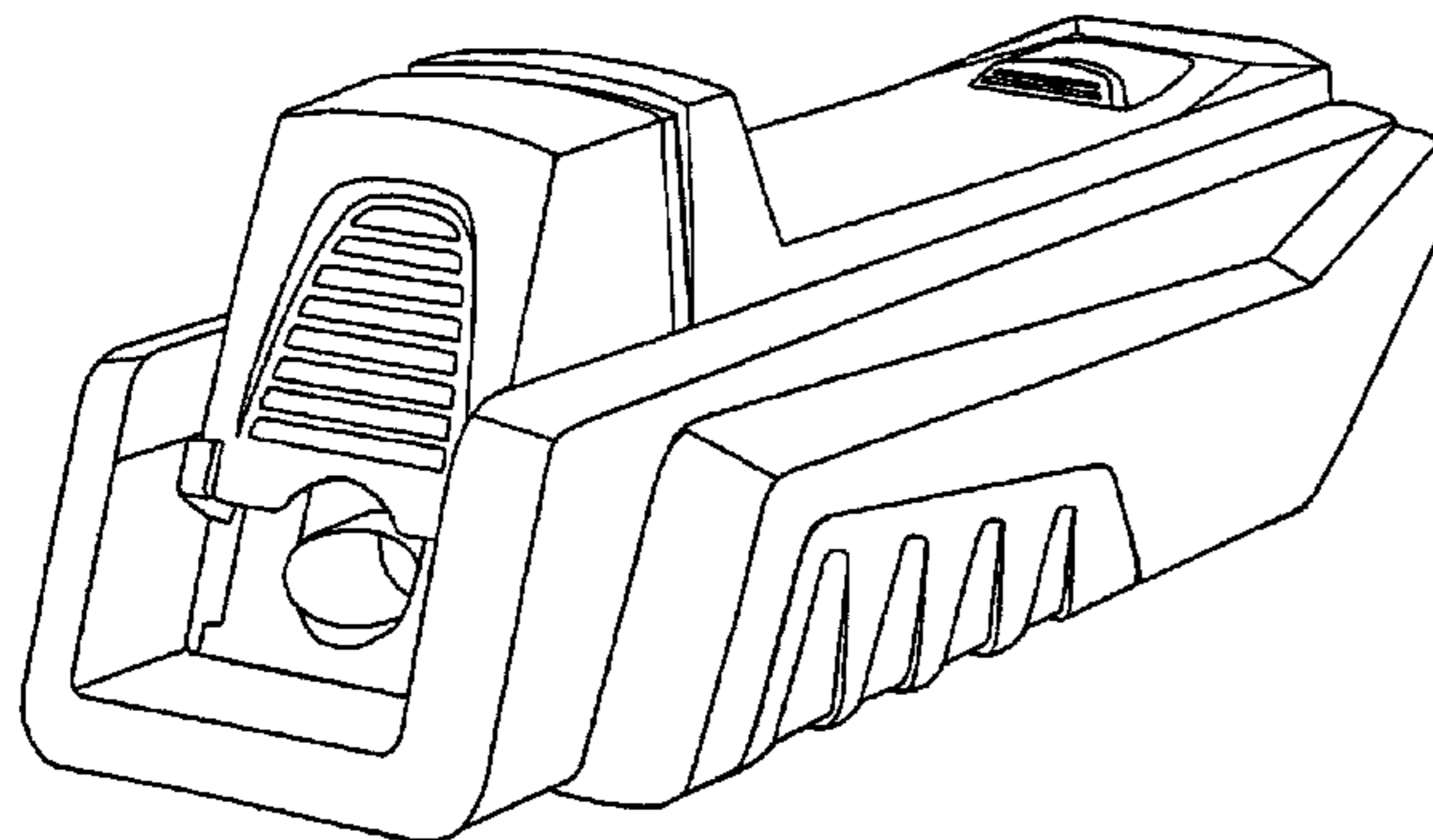
(57) **CLAIM**

The ornamental design for a filter tube injector, as shown and described.

DESCRIPTION

FIG. 1 is a front perspective view of a filter tube injector, showing my new design in a closed position;
 FIG. 2 is an alternate front perspective view thereof;
 FIG. 3 is a bottom, rear perspective view thereof;
 FIG. 4 is a top perspective view thereof, shown in a partially open position;
 FIG. 5 is an alternate top perspective view thereof, shown in a fully open and retracted position;
 FIG. 6 is an alternate top perspective view thereof, shown in a partially open position; and,
 FIG. 7 is an alternate top view thereof, shown in a closed position with the top portion retracted.
 Portions of the article shown in broken lines form no part of the claim.

1 Claim, 7 Drawing Sheets



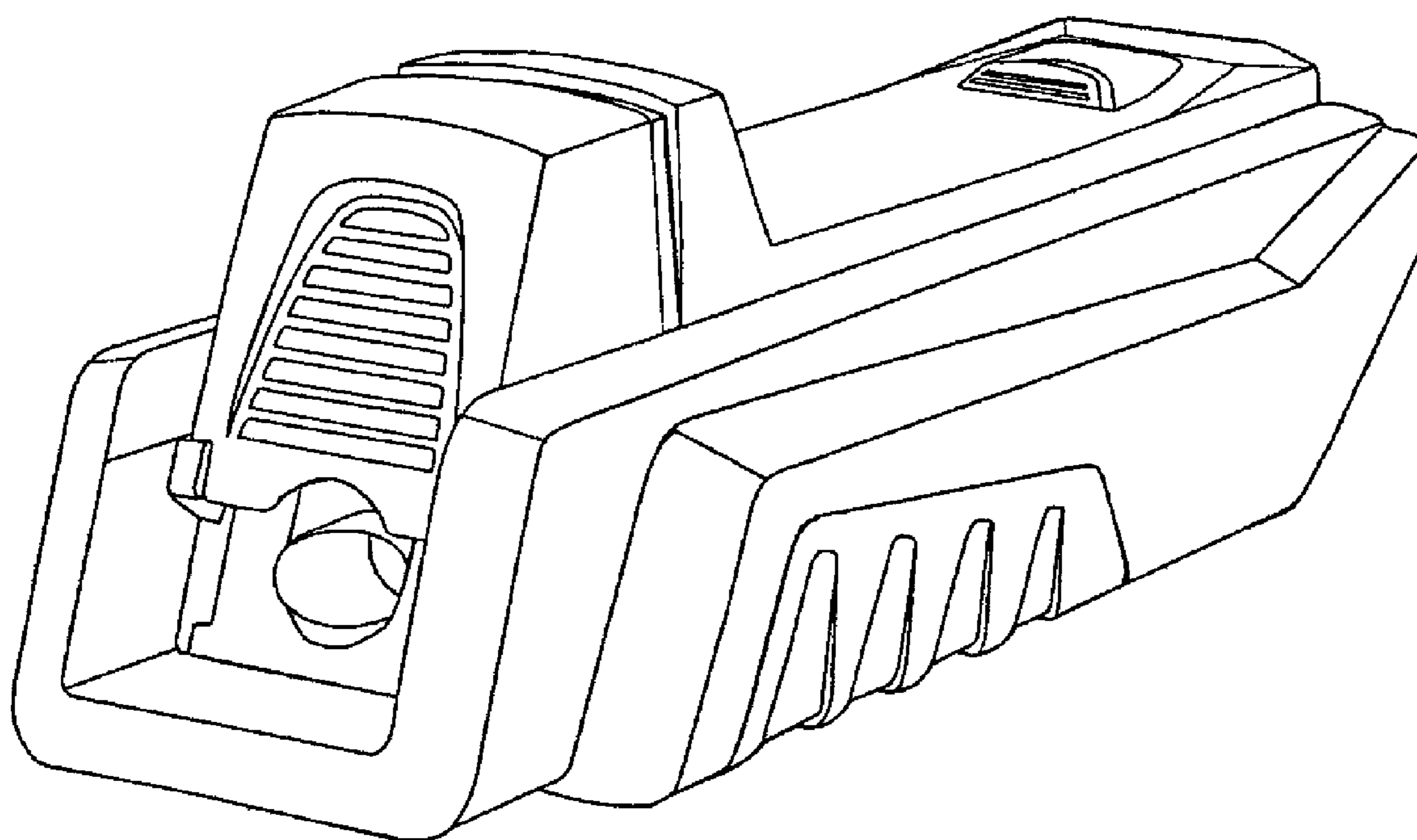


Fig. 1

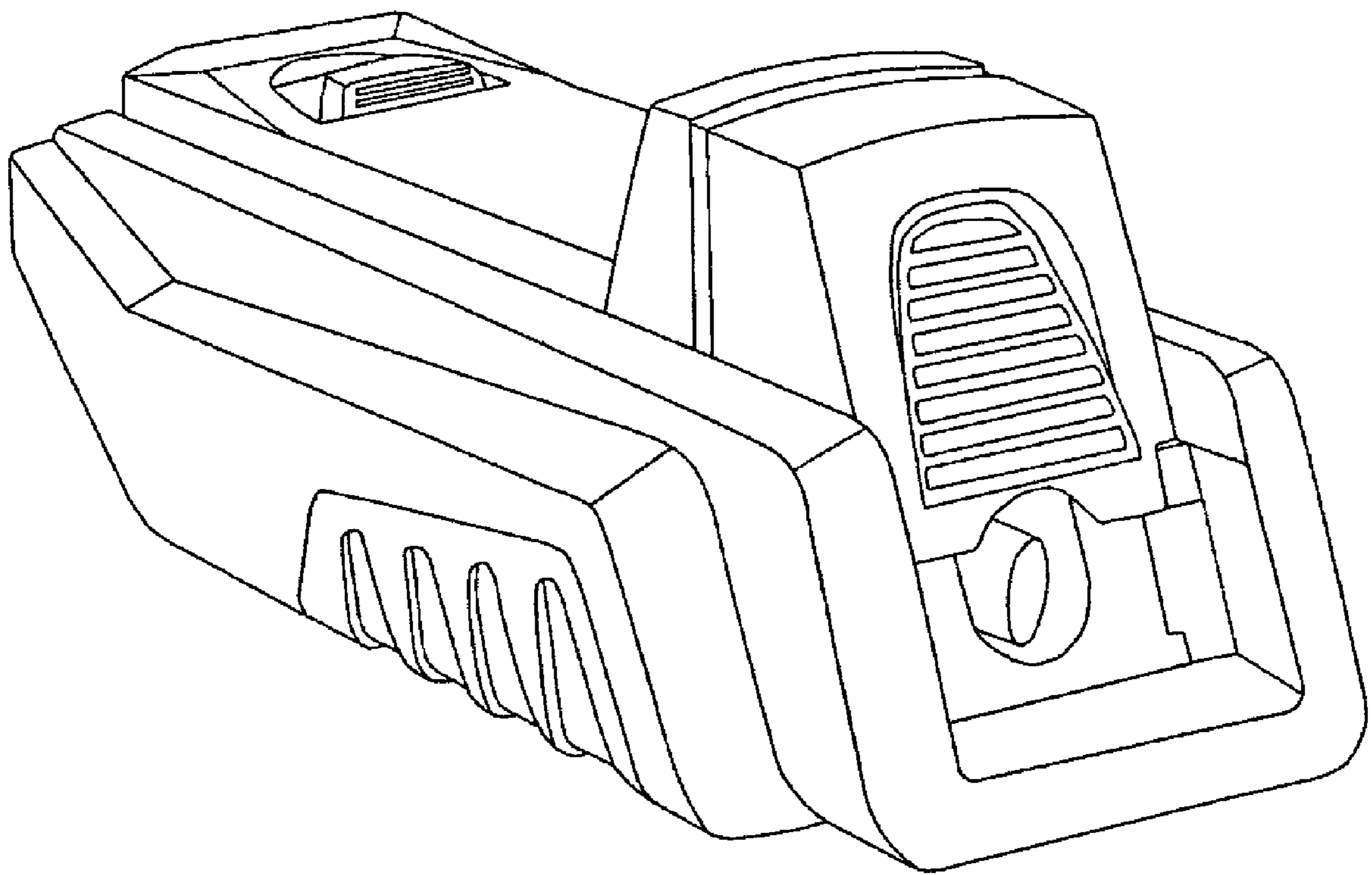


Fig. 2

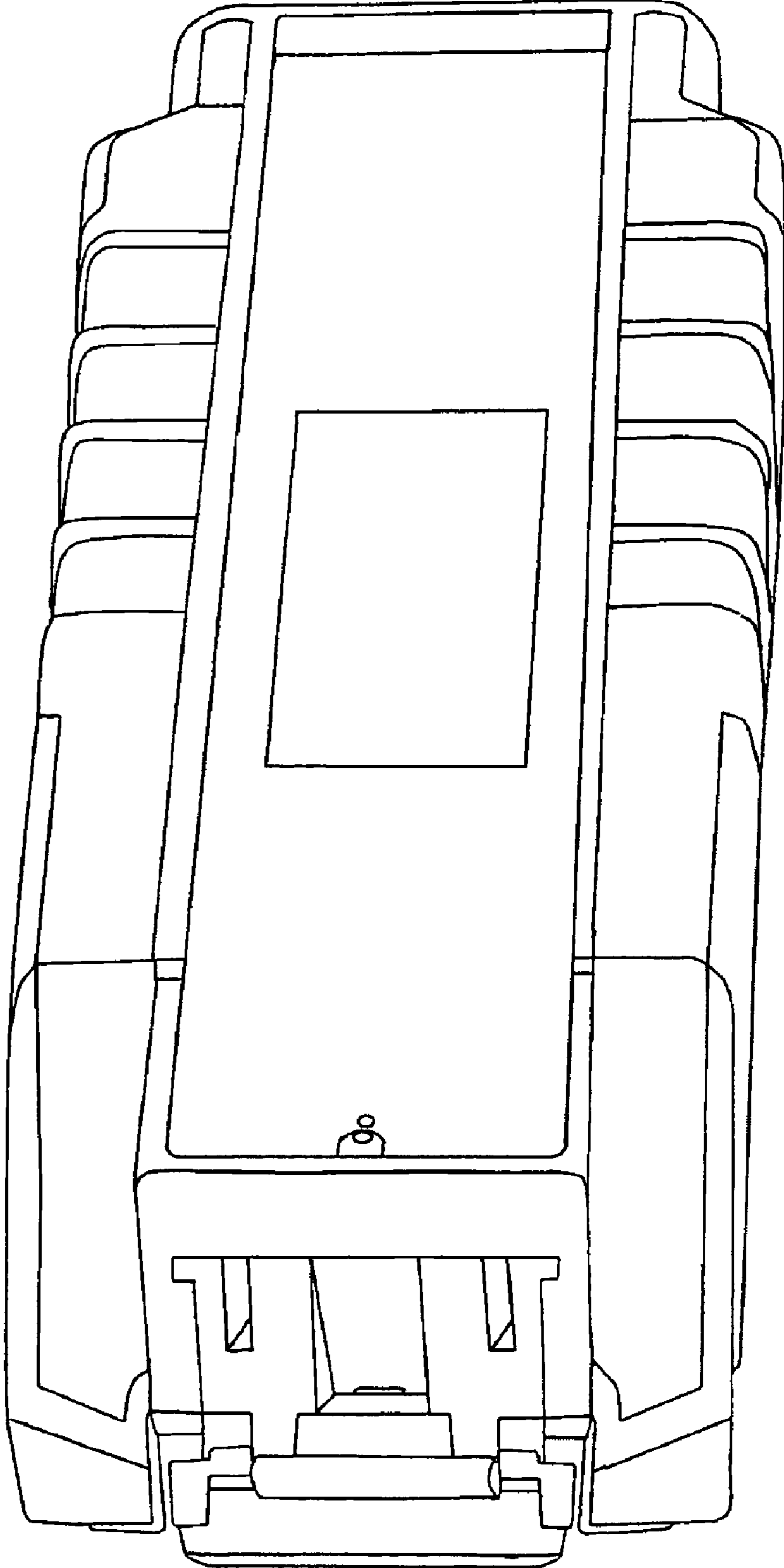
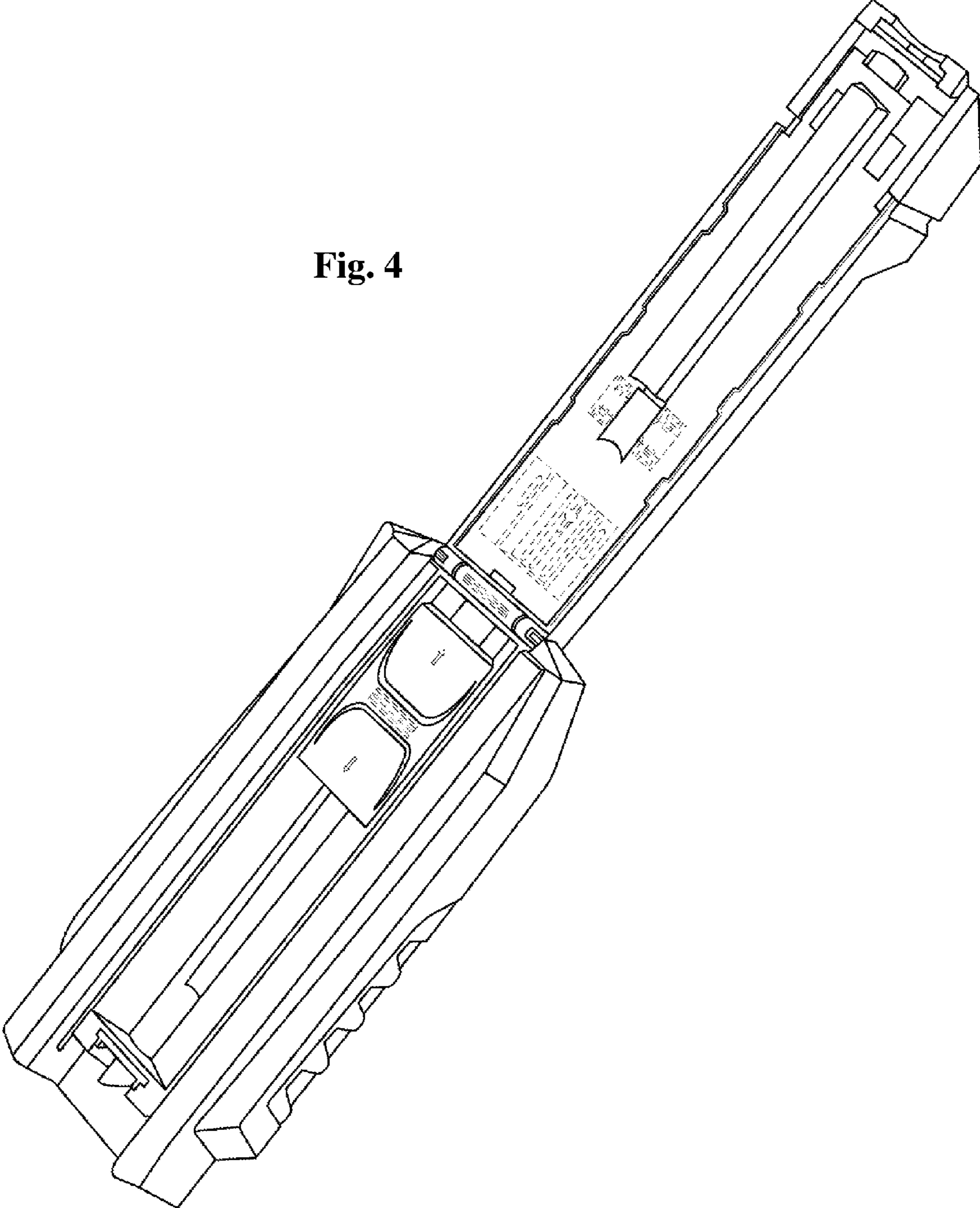


Fig. 3

Fig. 4



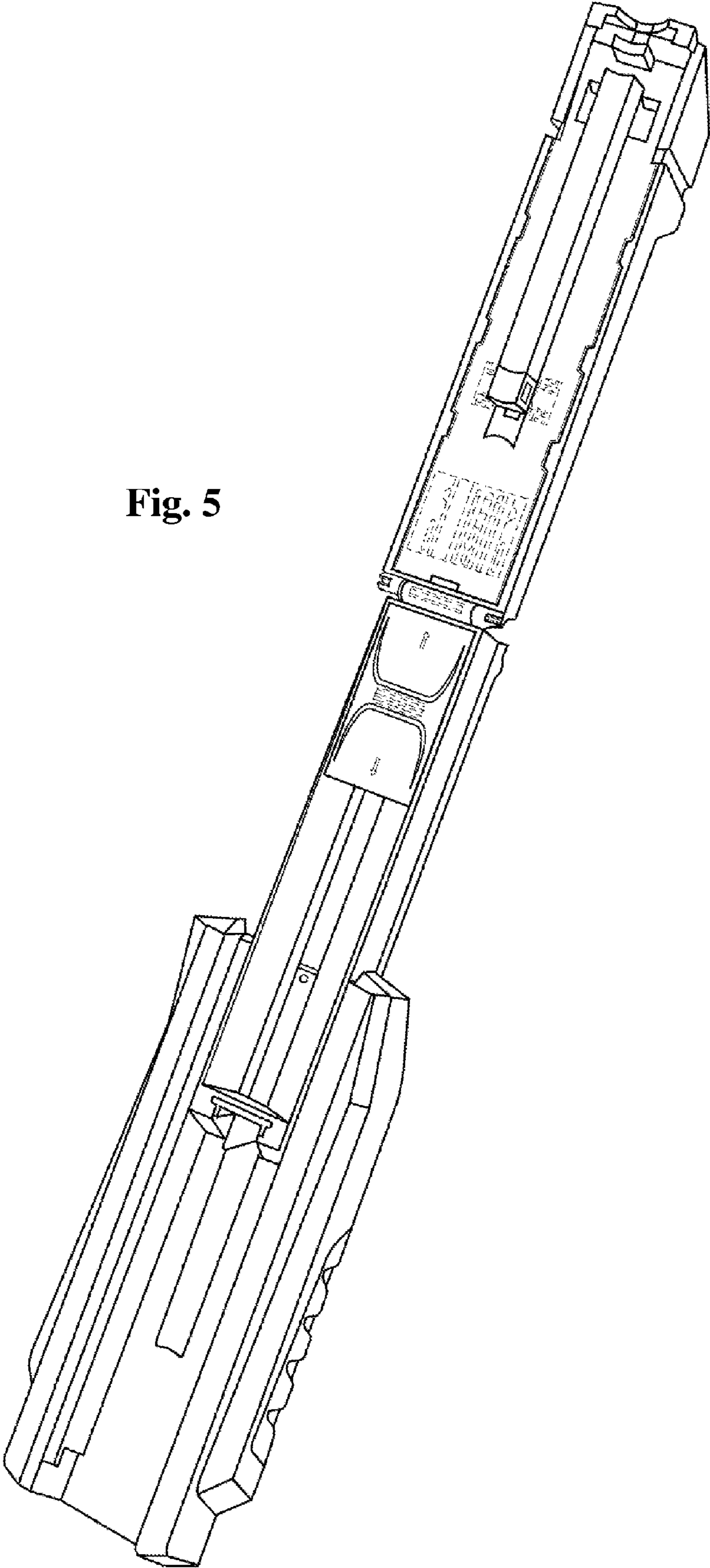


Fig. 5

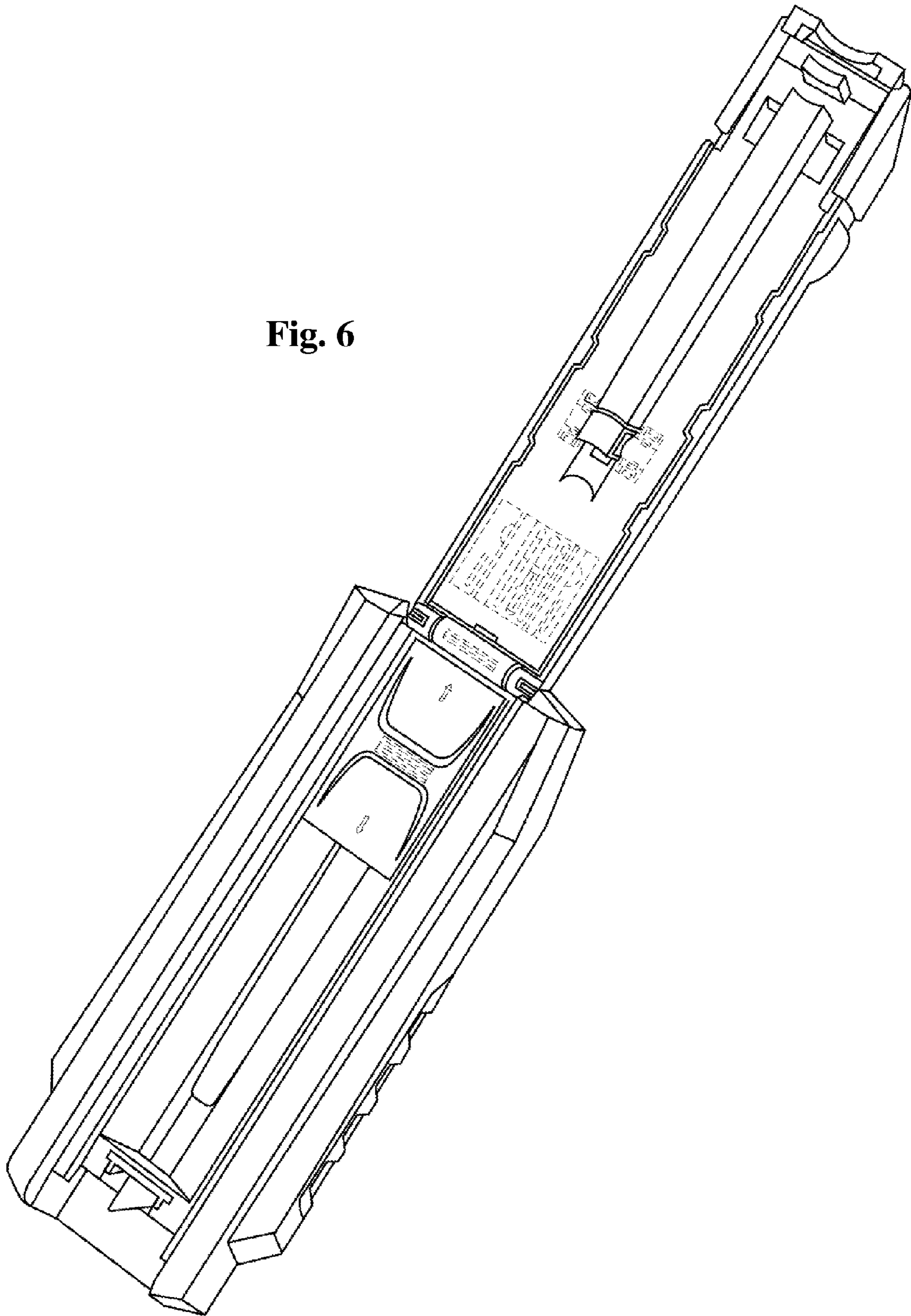


Fig. 6

Fig. 7

