



US00D643971S

(12) **United States Design Patent**
Yamamoto et al.

(10) **Patent No.:** **US D643,971 S**

(45) **Date of Patent:** **** Aug. 23, 2011**

- (54) **LIGHT EMITTING DIODE LAMP**
- (75) Inventors: **Junichiro Yamamoto**, Kanagawa (JP);
Asuka Wada, Kanagawa (JP); **Shigeru Osawa**, Kanagawa (JP)
- (73) Assignees: **Toshiba Lighting & Technology Corporation**, Kanagawa (JP);
Kabushiki Kaisha Toshiba, Tokyo (JP)
- (**) Term: **14 Years**
- (21) Appl. No.: **29/382,357**
- (22) Filed: **Jan. 3, 2011**

| | | | | | | |
|--------------|----|---|---------|------------------|-------|------------|
| D583,984 | S | * | 12/2008 | Takahashi et al. | | D26/89 |
| D588,077 | S | * | 3/2009 | Shida et al. | | D13/180 |
| D610,101 | S | * | 2/2010 | Spivey | | D13/182 |
| D621,971 | S | * | 8/2010 | Yamamoto et al. | | D26/2 |
| D621,972 | S | * | 8/2010 | Yamamoto et al. | | D26/2 |
| D623,593 | S | * | 9/2010 | Osada et al. | | D13/134 |
| 7,806,562 | B2 | * | 10/2010 | Behr et al. | | 362/294 |
| D627,493 | S | * | 11/2010 | Yamamoto et al. | | D26/2 |
| D628,318 | S | * | 11/2010 | Yamamoto et al. | | D26/2 |
| D628,722 | S | * | 12/2010 | Yamamoto et al. | | D26/2 |
| D631,573 | S | * | 1/2011 | Yamamoto et al. | | D26/2 |
| 7,922,364 | B2 | * | 4/2011 | Tessnow et al. | | 362/294 |
| 2007/0070645 | A1 | * | 3/2007 | Coushaine et al. | | 362/555 |
| 2009/0034283 | A1 | * | 2/2009 | Albright et al. | | 362/545 |
| 2010/0177470 | A1 | * | 7/2010 | Spivey | | 361/679.02 |

- (30) **Foreign Application Priority Data**
- Jul. 2, 2010 (JP) 2010-016223
- (51) **LOC (9) Cl.** **26-99**
- (52) **U.S. Cl.** **D26/138**
- (58) **Field of Classification Search** D26/118,
D26/120, 138, 76, 78, 86, 2, 72, 67, 89, 60,
D26/74, 81, 85, 113, 119, 122, 128, 129,
D26/140, 142, 145, 152, 132, 93, 94, 3, 154,
D26/87, 42, 37; D34/29; 315/194, 51; 362/612,
362/307, 294, 545, 555, 146, 145, 396, 362,
362/260; 165/185, 121, 80.3; D12/162;
D8/354, 355, 356, 363, 373, 349, 376; 16/340;
D13/179, 180, 134; D25/163, 157, 158
See application file for complete search history.

FOREIGN PATENT DOCUMENTS

| | | |
|----|----------|---------|
| JP | D1247684 | 8/2005 |
| JP | D1372210 | 11/2009 |
| JP | D1395070 | 8/2010 |

* cited by examiner

Primary Examiner — Cathron Brooks
Assistant Examiner — Kevin Rudzinski
 (74) *Attorney, Agent, or Firm* — J.C. Patents

(57) **CLAIM**

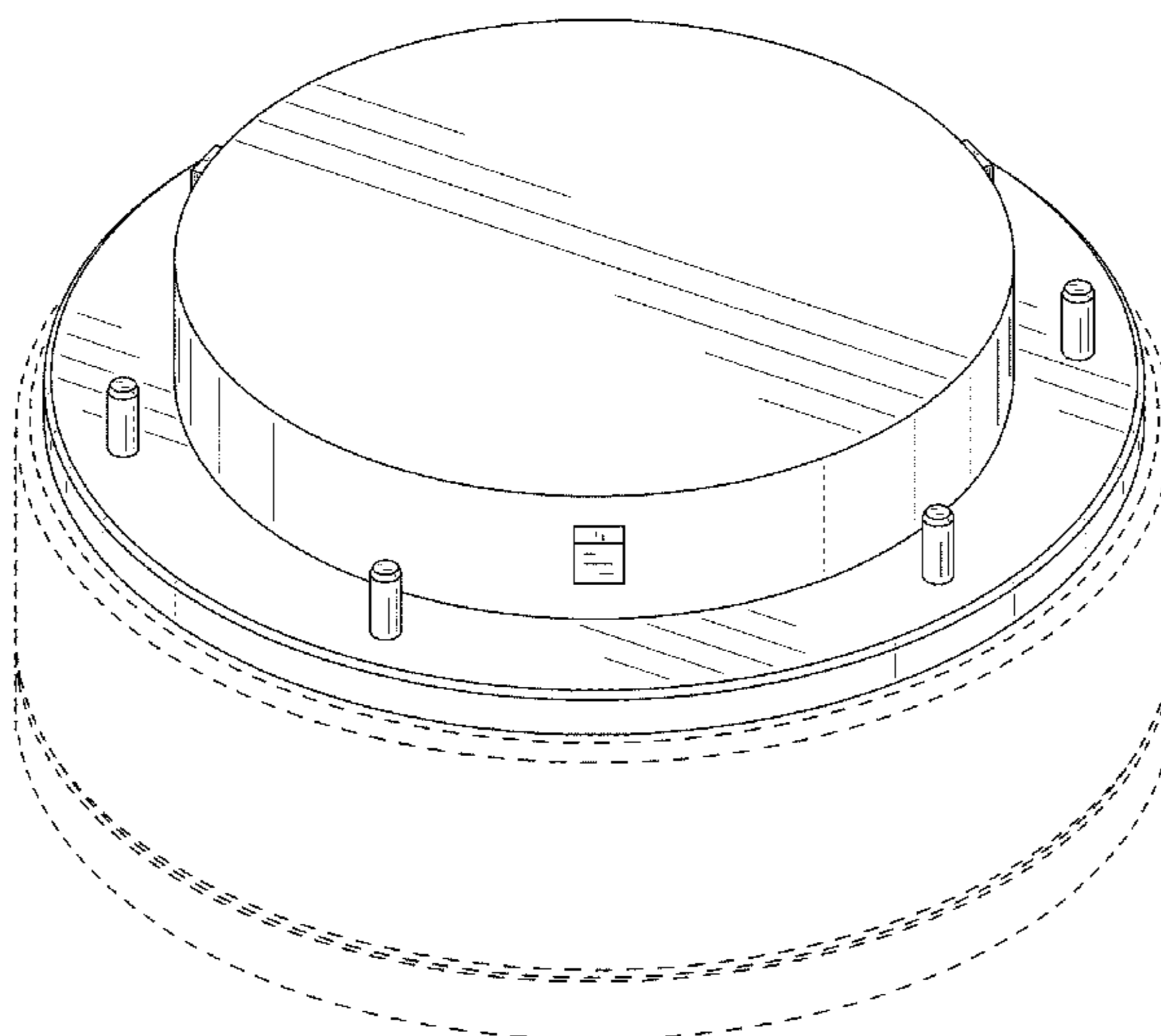
The ornamental design for a light emitting diode lamp, as shown and described.

DESCRIPTION

FIG. 1 is a perspective view of a light emitting diode lamp showing our new design;
 FIG. 2 is a front view thereof;
 FIG. 3 is a rear view thereof;
 FIG. 4 is a right side view thereof;
 FIG. 5 is a left side view thereof;
 FIG. 6 is a top view thereof;
 FIG. 7 is a bottom view thereof; and,
 FIG. 8 is another perspective view thereof.
 The broken lines represent unclaimed portions of the light emitting diode lamp and form no part of the claimed design.

- (56) **References Cited**
- U.S. PATENT DOCUMENTS**
- 3,836,766 A * 9/1974 Auerbach 362/311.14
- 5,249,082 A * 9/1993 Newman 359/813
- 6,641,283 B1 * 11/2003 Bohler 362/238
- D511,349 S * 11/2005 Rashidi D16/134
- D544,618 S * 6/2007 Coushaine D26/37
- D547,886 S * 7/2007 Foo D26/2
- D560,829 S * 1/2008 Mason, II D26/28
- D581,886 S * 12/2008 Shida et al. D13/180
- D583,967 S * 12/2008 Leunis D26/24

1 Claim, 6 Drawing Sheets



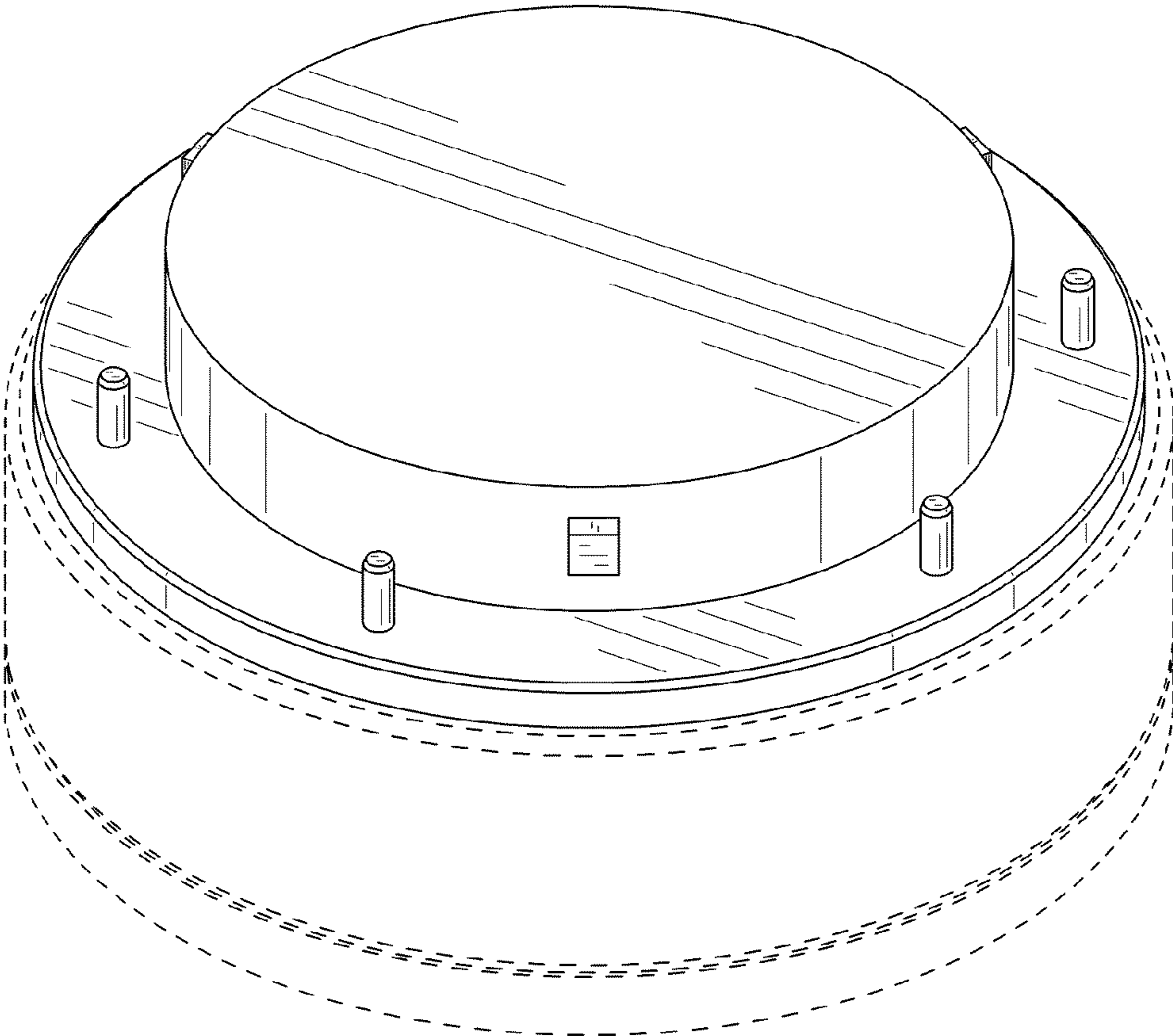


FIG. 1

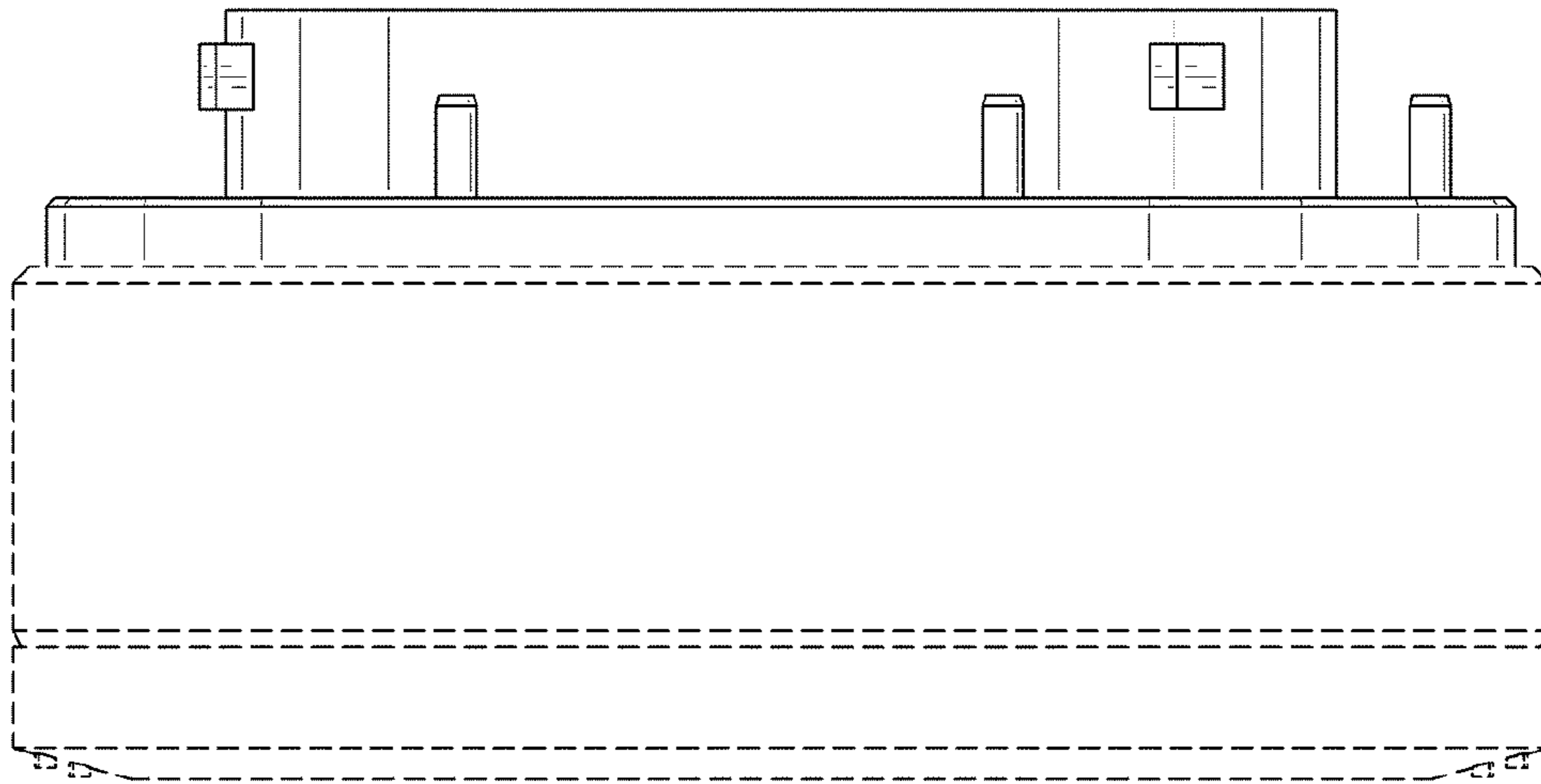


FIG. 2

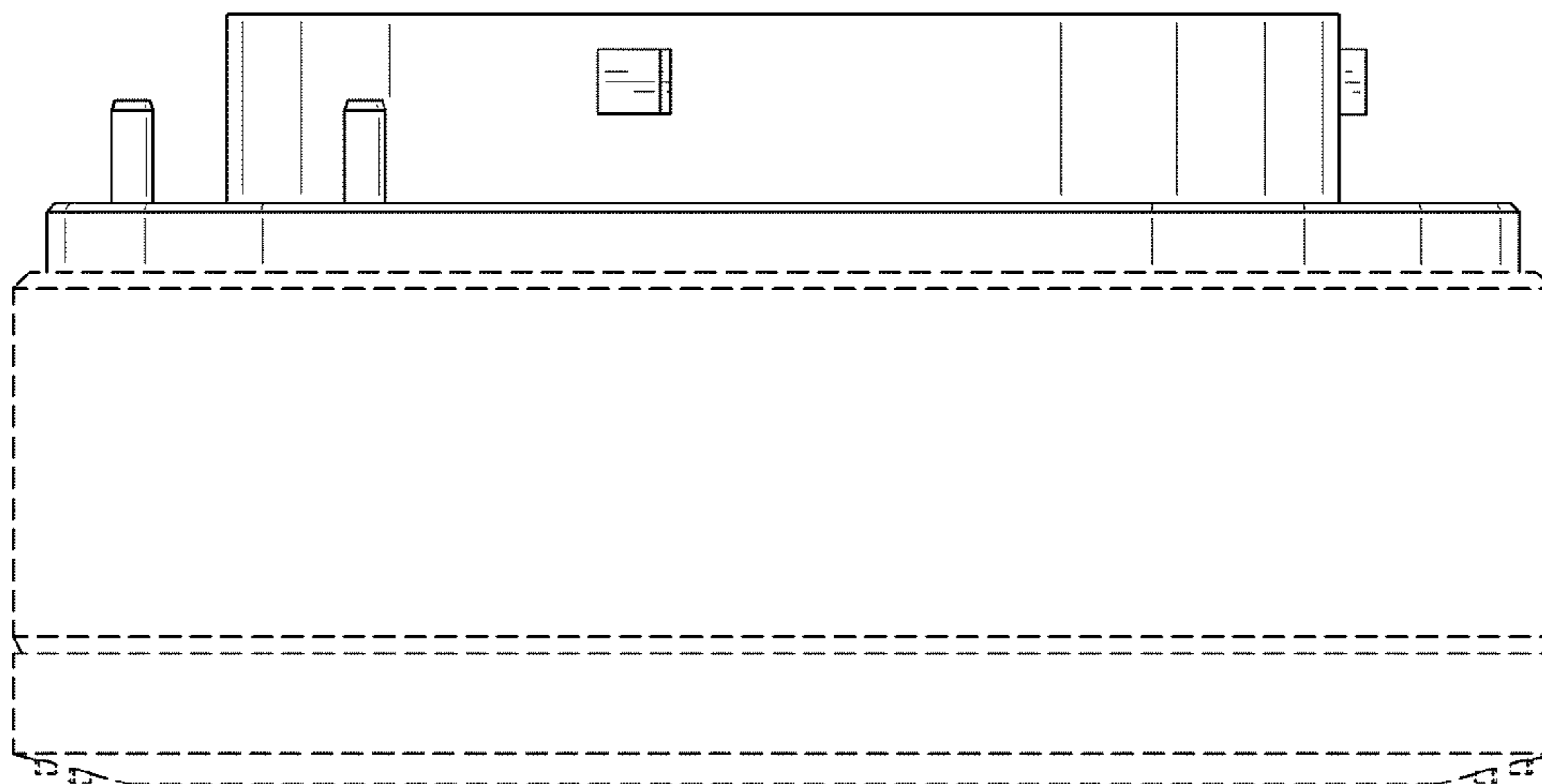


FIG. 3

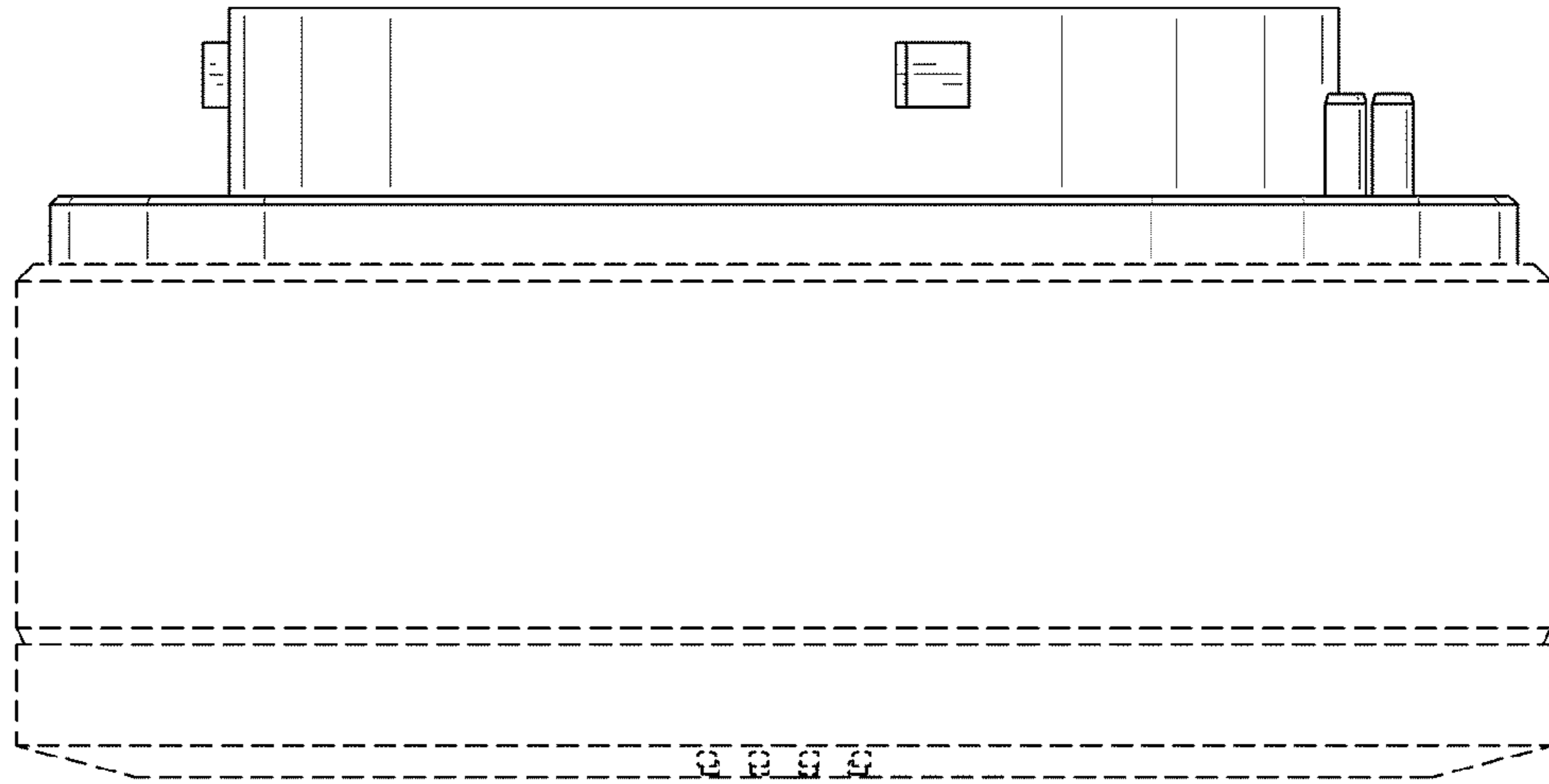


FIG. 4

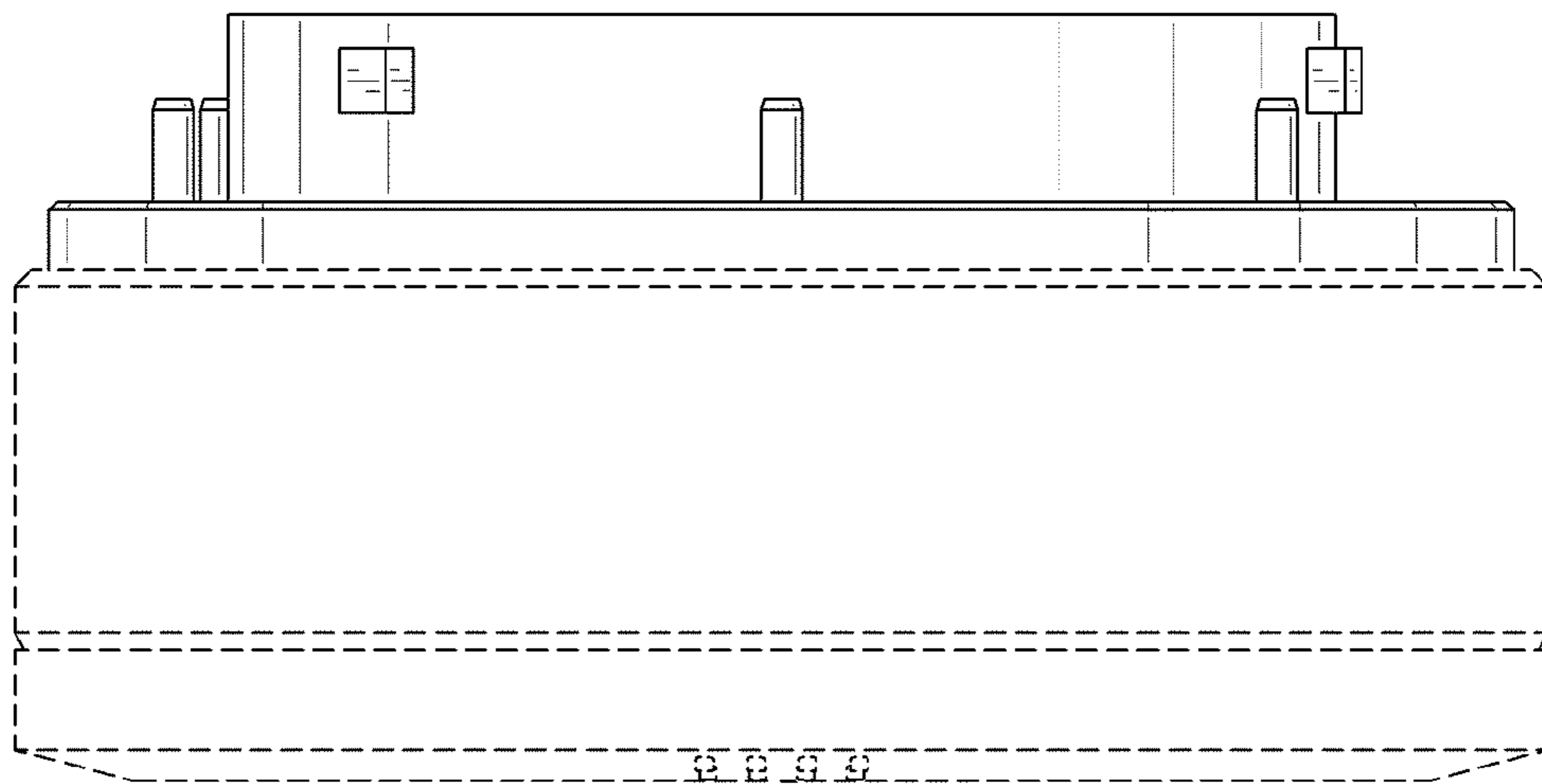


FIG. 5

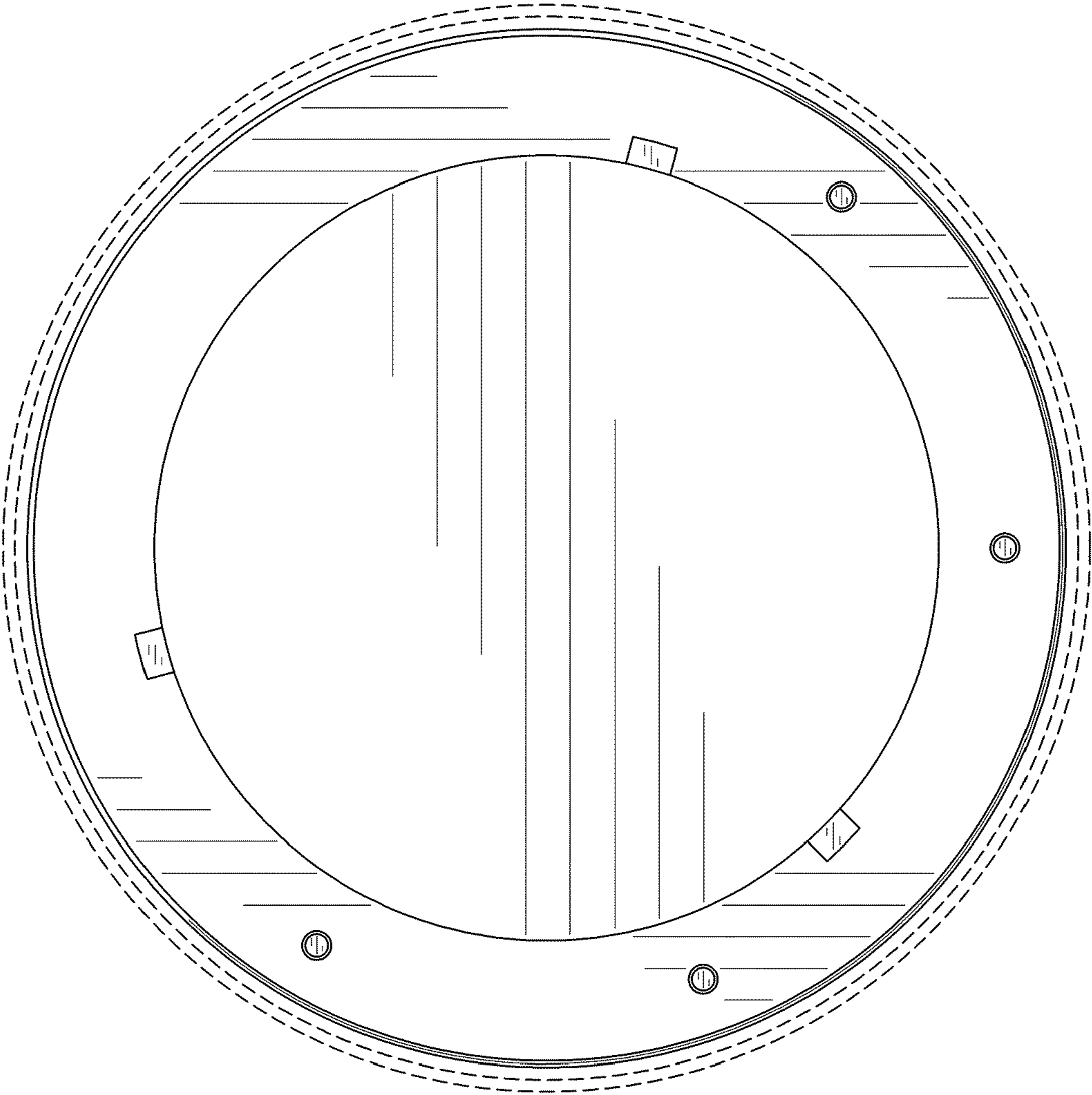


FIG. 6

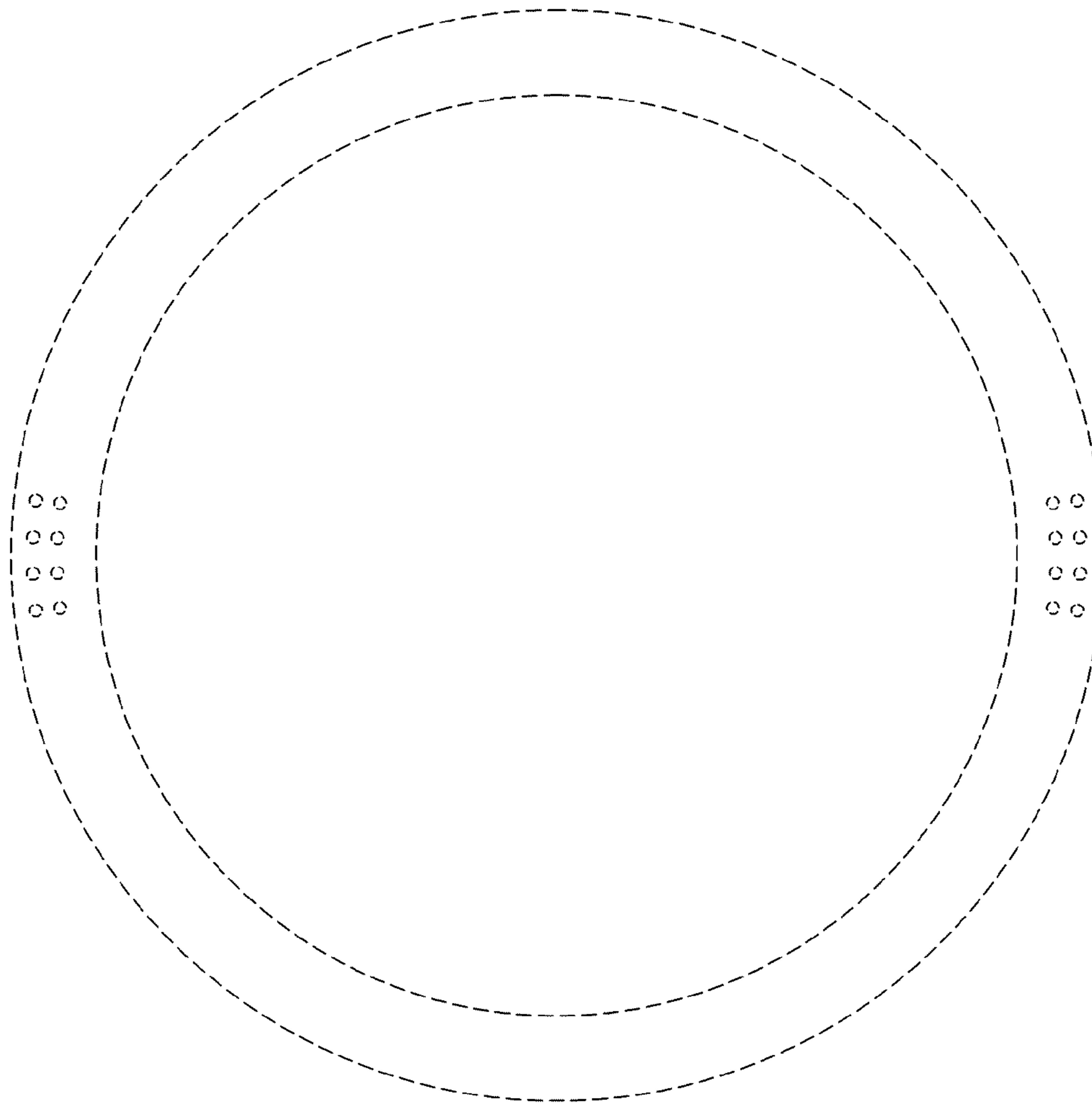


FIG. 7

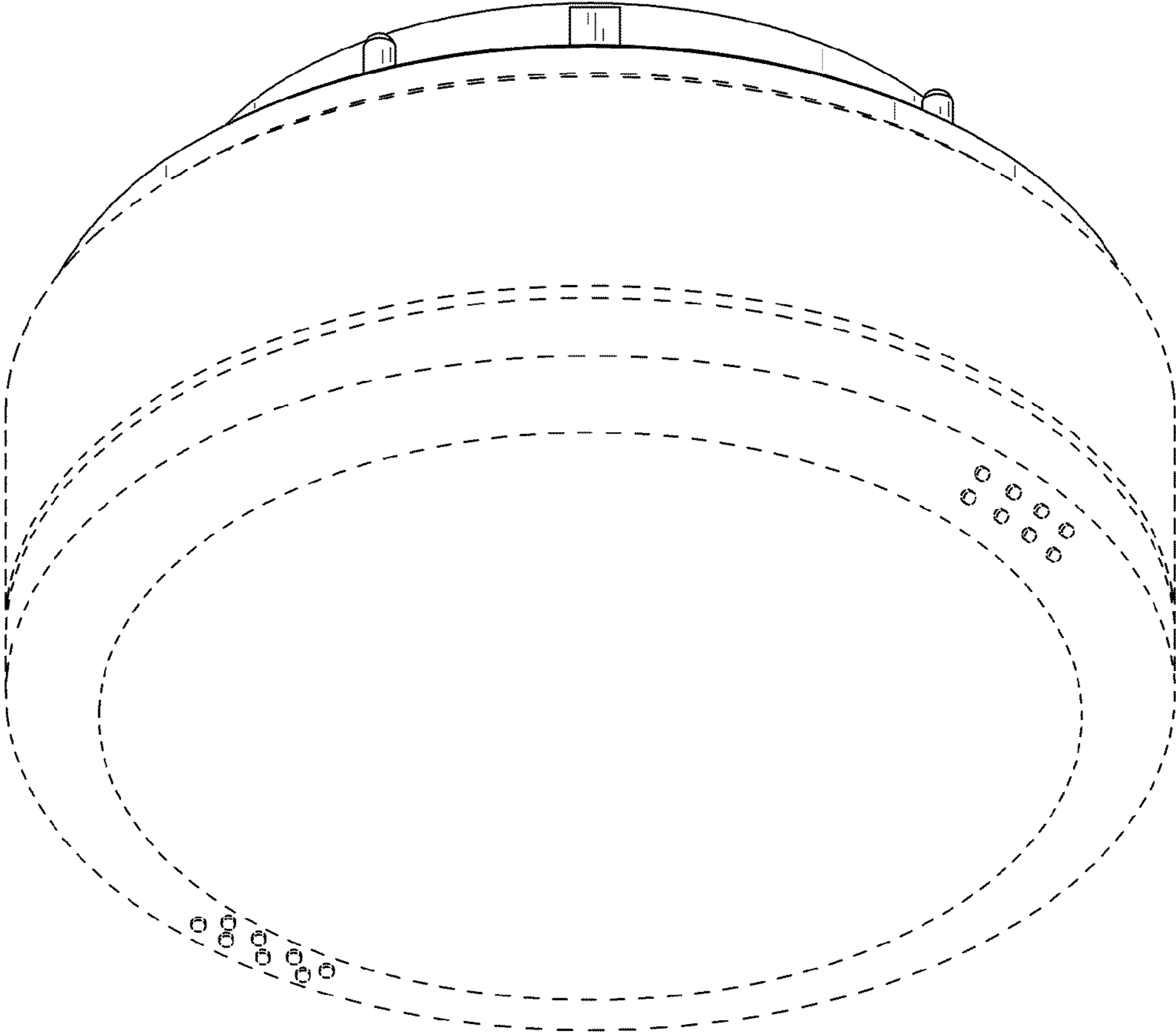


FIG. 8