



US00D643970S

(12) **United States Design Patent**
Kim et al.

(10) **Patent No.:** **US D643,970 S**

(45) **Date of Patent:** **** Aug. 23, 2011**

(54) **LED LAMP**

(75) Inventors: **Han Gyoul Kim**, Seoul (KR); **Jin Wook Kim**, Seoul (KR)

(73) Assignee: **LG Innotek Co., Ltd.**, Seoul (KR)

(**) Term: **14 Years**

(21) Appl. No.: **29/375,672**

(22) Filed: **Sep. 27, 2010**

(30) **Foreign Application Priority Data**

Apr. 7, 2010 (KR) 30-2010-0015200

(51) **LOC (9) Cl.** **26-99**

(52) **U.S. Cl.** **D26/128**

(58) **Field of Classification Search** D26/118,
D26/138, 2, 24, 26, 28, 37, 74, 142, 152,
D26/63, 68, 140, 80, 72, 76, 78, 92, 113,
D26/119, 120, 121, 122, 123, 124, 128, 129,
D26/130, 145, 147, 153, 154, 155, 65, 71,
D26/85, 88, 89, 90, 84, 75, 107, 87; 362/394,
362/364, 365, 147, 418, 293, 362, 326, 290,
362/249.01-249.11, 148, 396, 287, 275,
362/276; 250/342, 347; D25/123, 138; 439/111,
439/121, 122, 119, 120; D13/134, 179, 180,
D13/133

See application file for complete search history.

(56) **References Cited**

U.S. PATENT DOCUMENTS

- D81,452 S * 6/1930 Osborn D26/141
- D104,447 S * 5/1937 Haas D26/67
- D170,034 S * 7/1953 Stone D26/63
- 2,786,936 A * 3/1957 Appleton 362/363
- D261,684 S * 11/1981 Westover D26/63
- D309,503 S * 7/1990 Benson et al. D26/2
- D329,101 S * 9/1992 Landefeld D26/68
- D346,239 S * 4/1994 Vamberszky et al. D26/118
- D347,905 S * 6/1994 Barbour D26/67

- D352,121 S * 11/1994 Haraden et al. D26/2
- D383,239 S * 9/1997 Porter D26/87
- D399,327 S * 10/1998 Lin D26/63
- D400,277 S * 10/1998 Ewing et al. D26/67
- D423,707 S * 4/2000 Hammond D26/67
- D424,736 S * 5/2000 Johnson D26/119
- D444,584 S * 7/2001 Landefeld D26/67
- D445,947 S * 7/2001 Johnson D26/142
- D469,209 S * 1/2003 Homann D26/118
- D483,903 S * 12/2003 Skradski et al. D26/118
- D508,236 S * 8/2005 Duke et al. D13/184
- D517,714 S * 3/2006 Monroe et al. D26/65
- D538,966 S * 3/2007 Lehman et al. D26/138
- D541,967 S * 5/2007 Rahir D26/67
- D545,456 S * 6/2007 Foo D26/2
- D549,854 S * 8/2007 Takahashi D26/2

(Continued)

Primary Examiner — Cathron Brooks

Assistant Examiner — Kevin Rudzinski

(74) *Attorney, Agent, or Firm* — McKenna Long & Aldridge LLP

(57) **CLAIM**

The ornamental design for an LED lamp, as shown and described.

DESCRIPTION

FIG. 1 is a top front perspective view of an LED lamp showing my new design;

FIG. 2 is a front elevational view thereof;

FIG. 3 is a rear elevational view thereof;

FIG. 4 is a left side elevational view thereof;

FIG. 5 is a right side elevational view thereof;

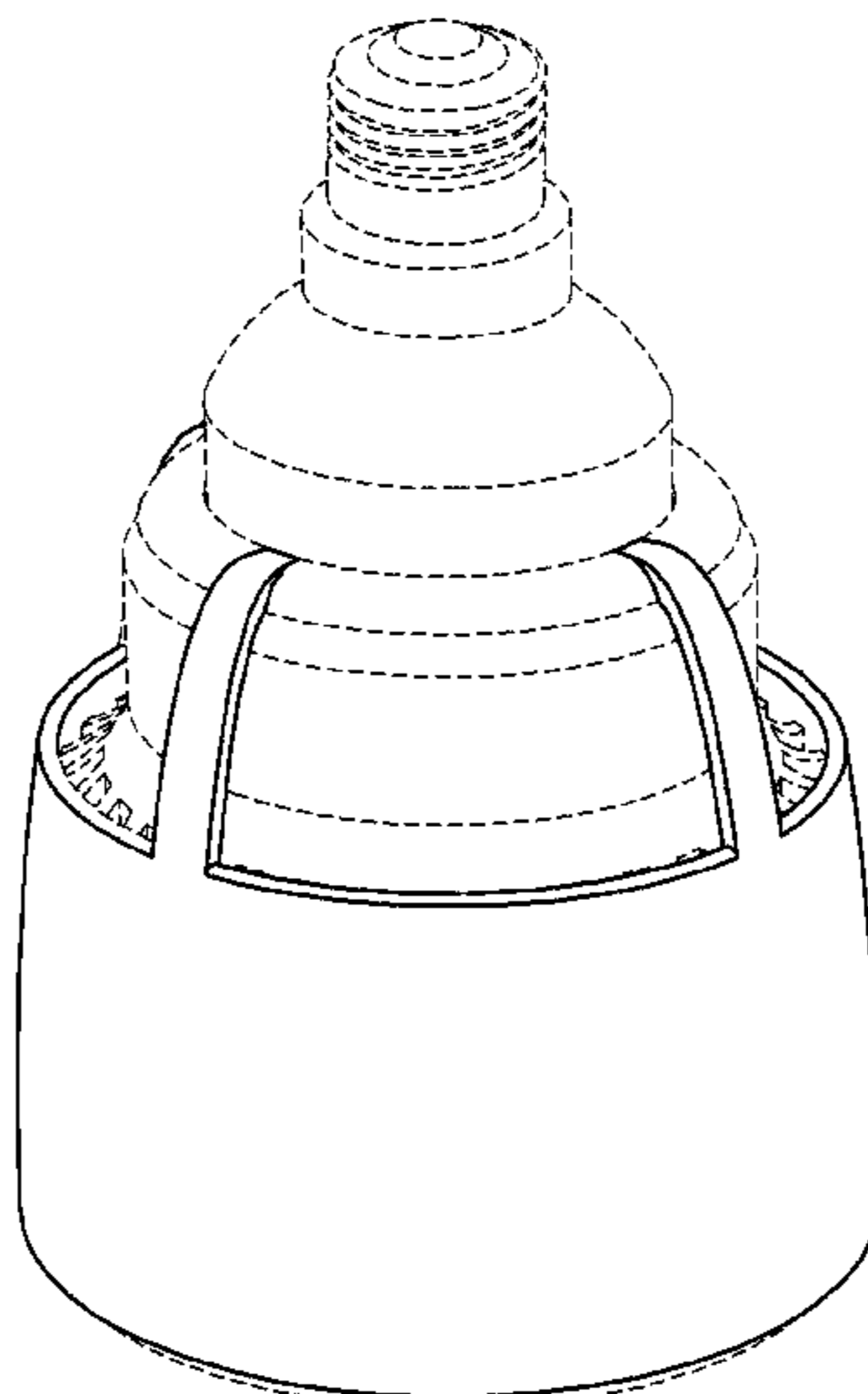
FIG. 6 is a top plan view thereof;

FIG. 7 is a bottom plan view thereof; and,

FIG. 8 is a bottom front perspective view thereof.

The diagonal broken lines in FIG. 8 demark light emitting parts and form no part of the claimed design. The broken lines shown in the drawings are included for the purpose of illustrating environmental structures and form no part of the claimed design.

1 Claim, 8 Drawing Sheets



US D643,970 S

Page 2

U.S. PATENT DOCUMENTS

D561,917 S *	2/2008	Tsao	D26/2	D601,279 S *	9/2009	Ou et al.	D26/2
7,422,350 B2 *	9/2008	Haddad	362/427	D605,323 S *	12/2009	Mier-Langner et al.	D26/63
7,490,964 B2 *	2/2009	Haddad et al.	362/431	D615,239 S *	5/2010	Rashidi	D26/118
D590,075 S *	4/2009	Grajcar	D26/2	D628,319 S *	11/2010	Yoshinobu et al.	D26/2
D601,277 S *	9/2009	Grajcar	D26/2	D629,962 S *	12/2010	Choi et al.	D26/128

* cited by examiner

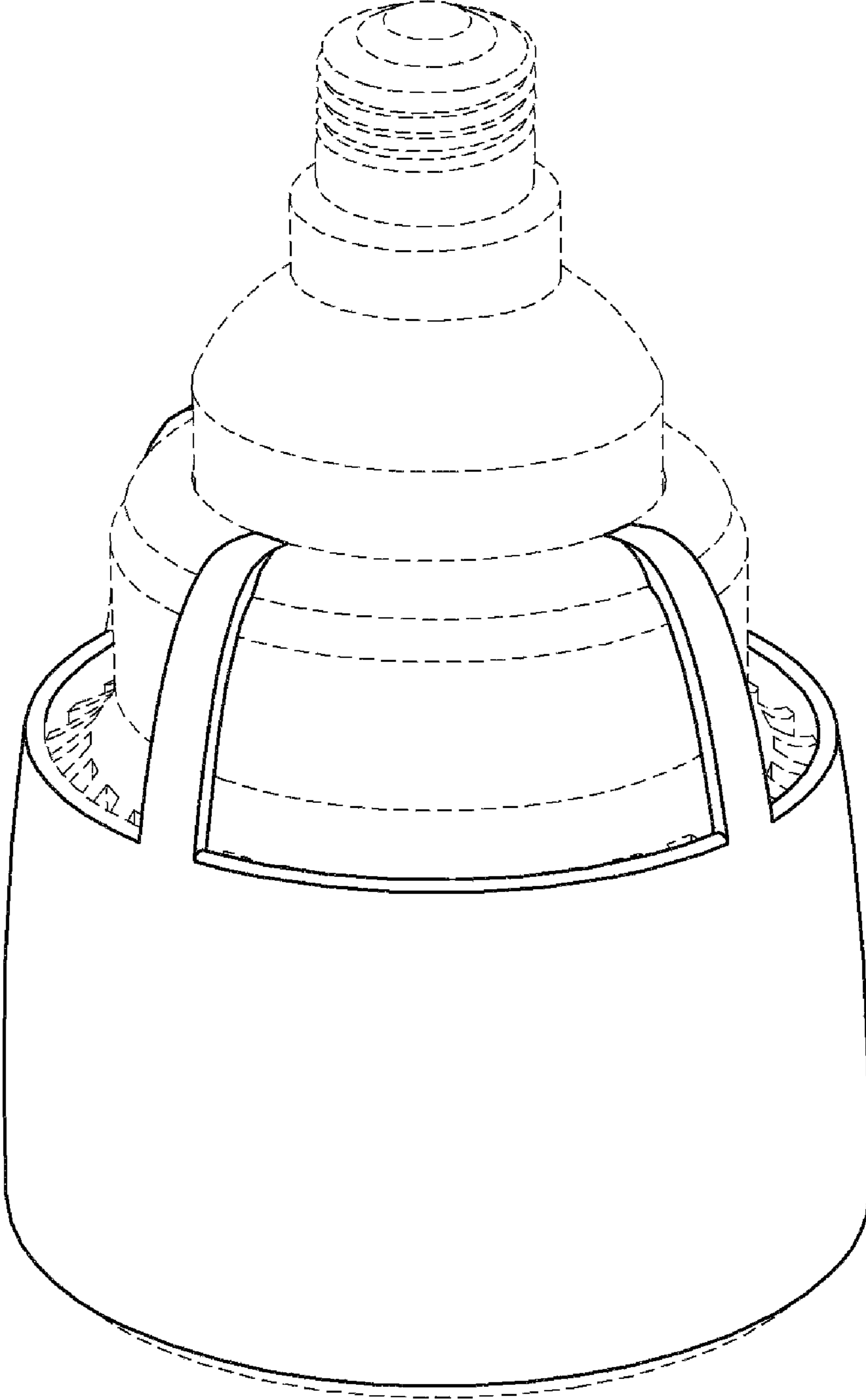


FIG. 1

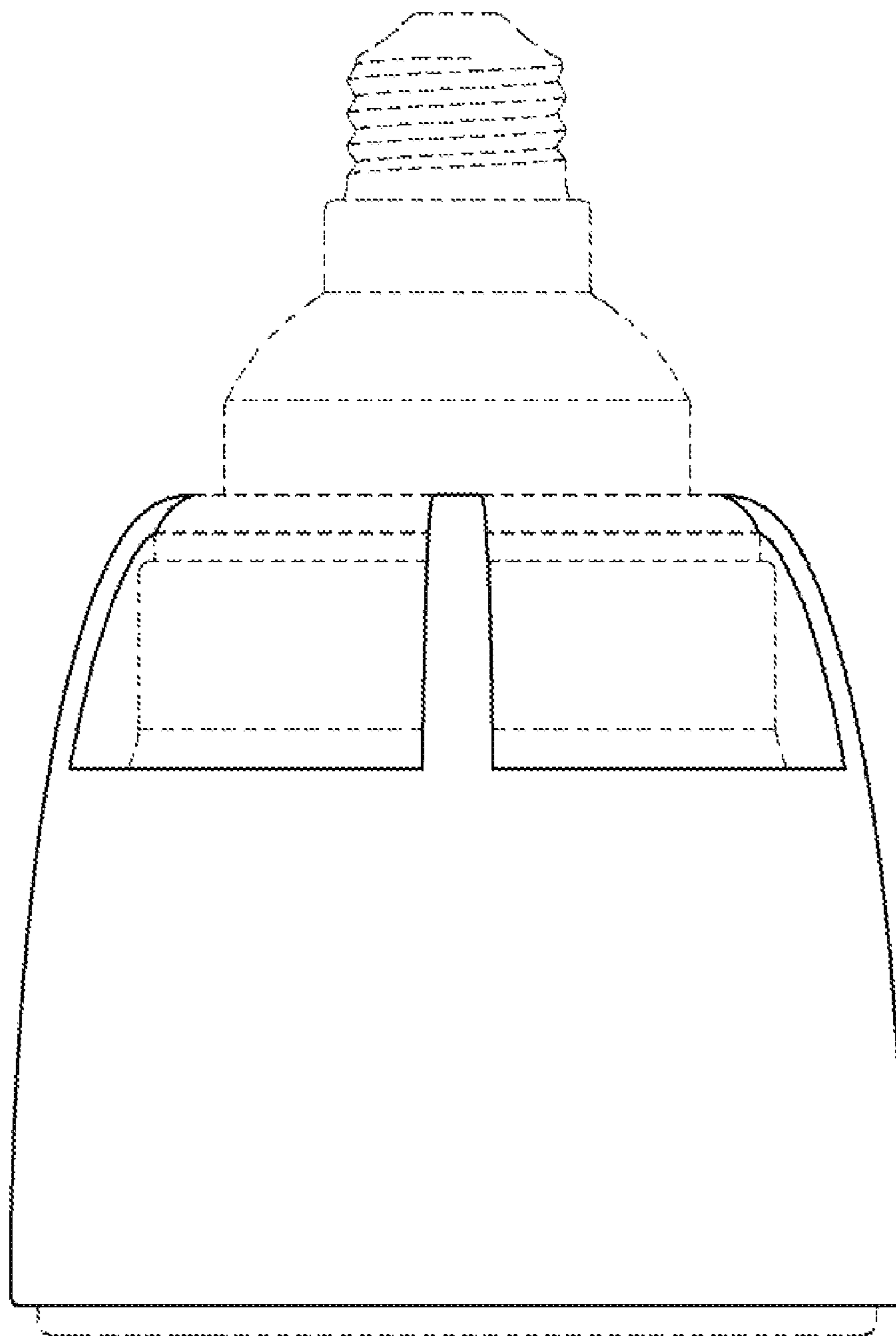


FIG. 2

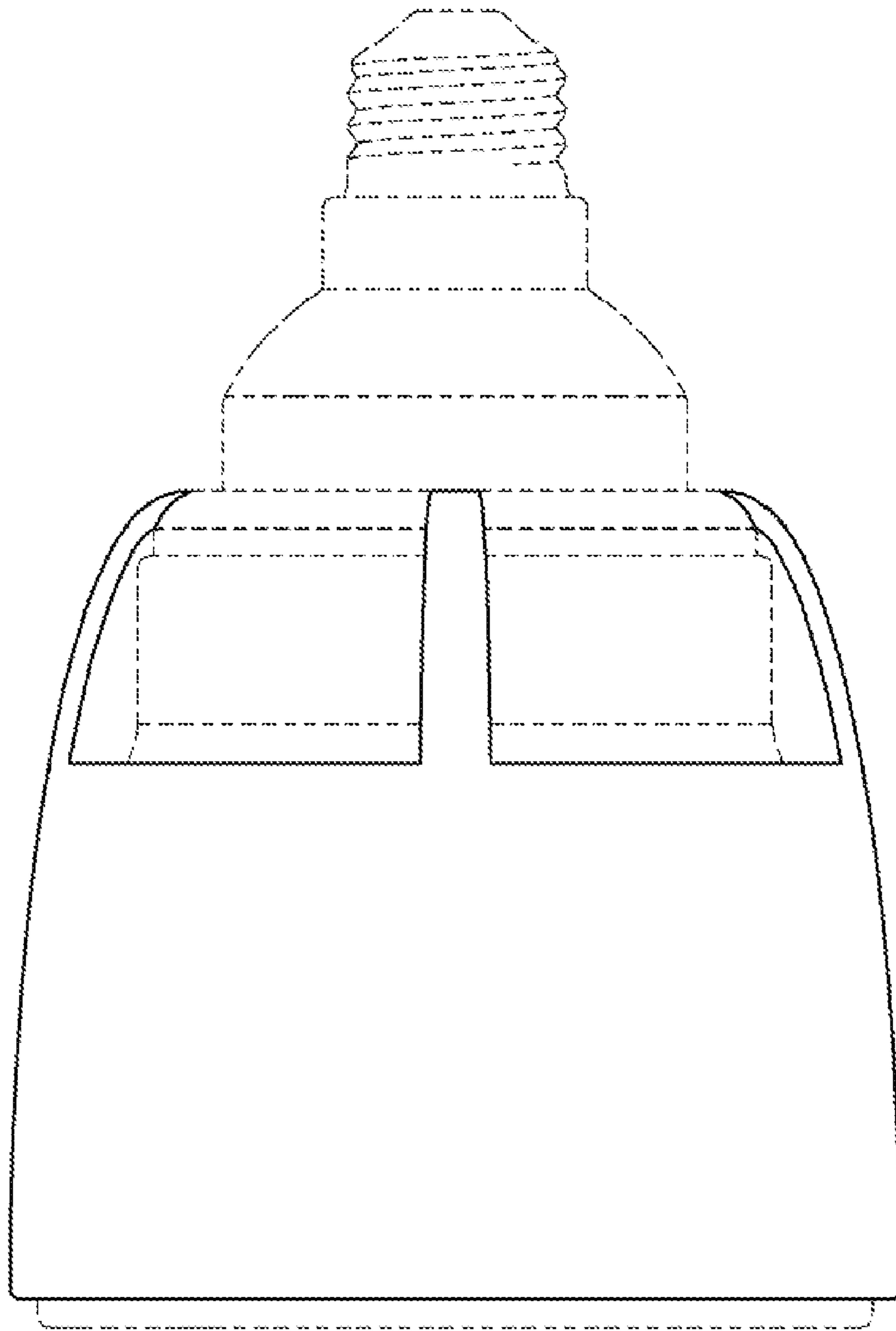


FIG. 3

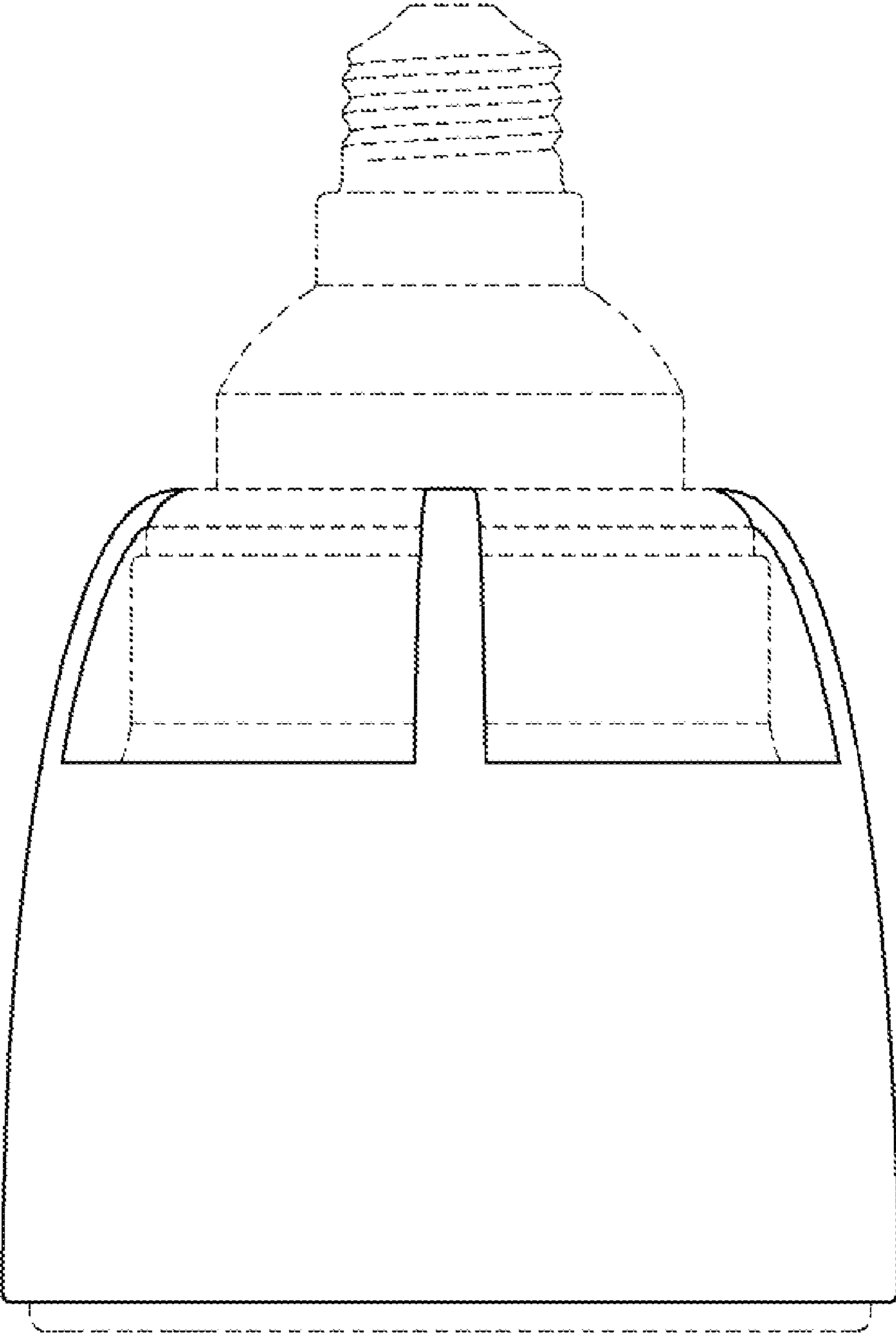


FIG. 4

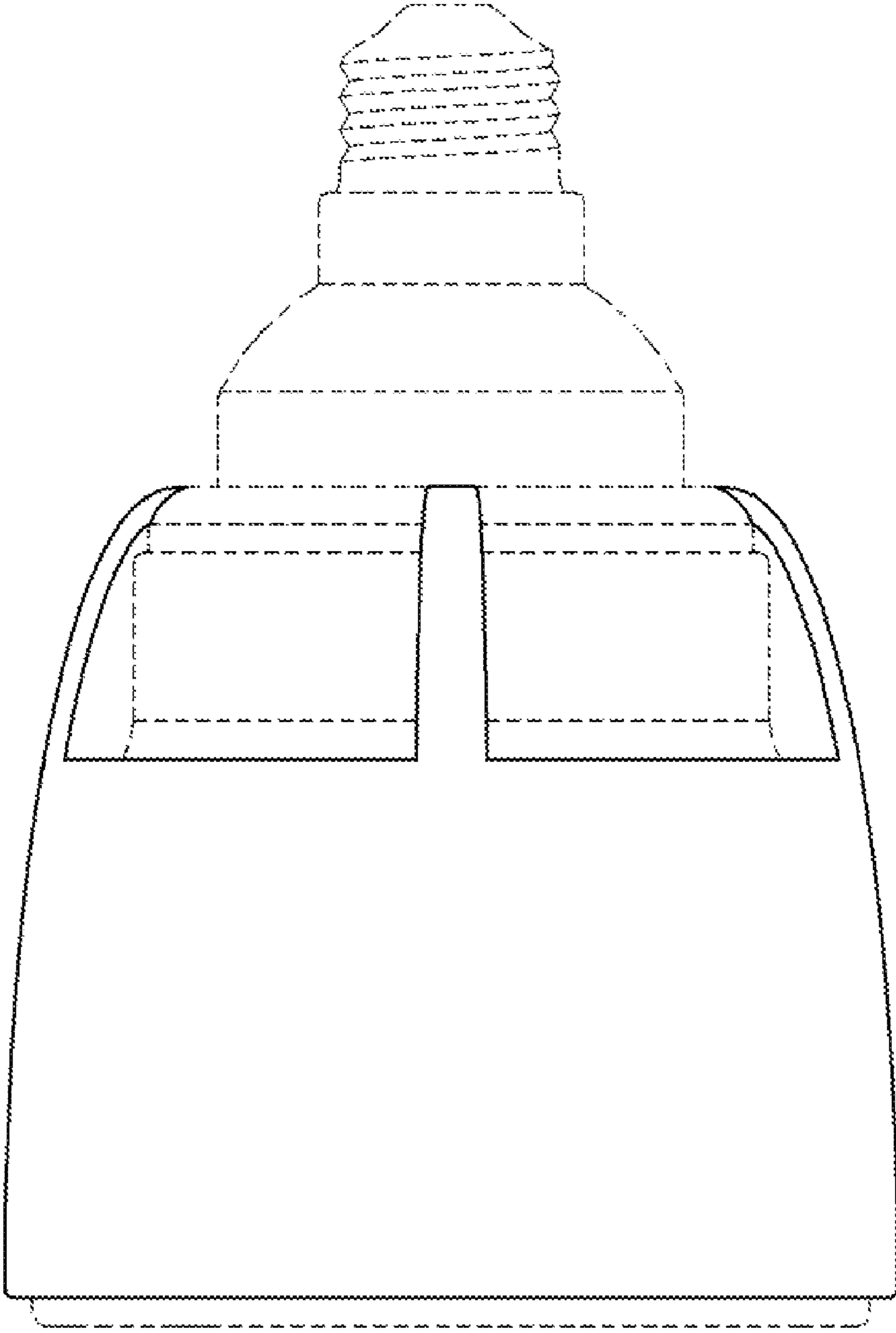


FIG. 5

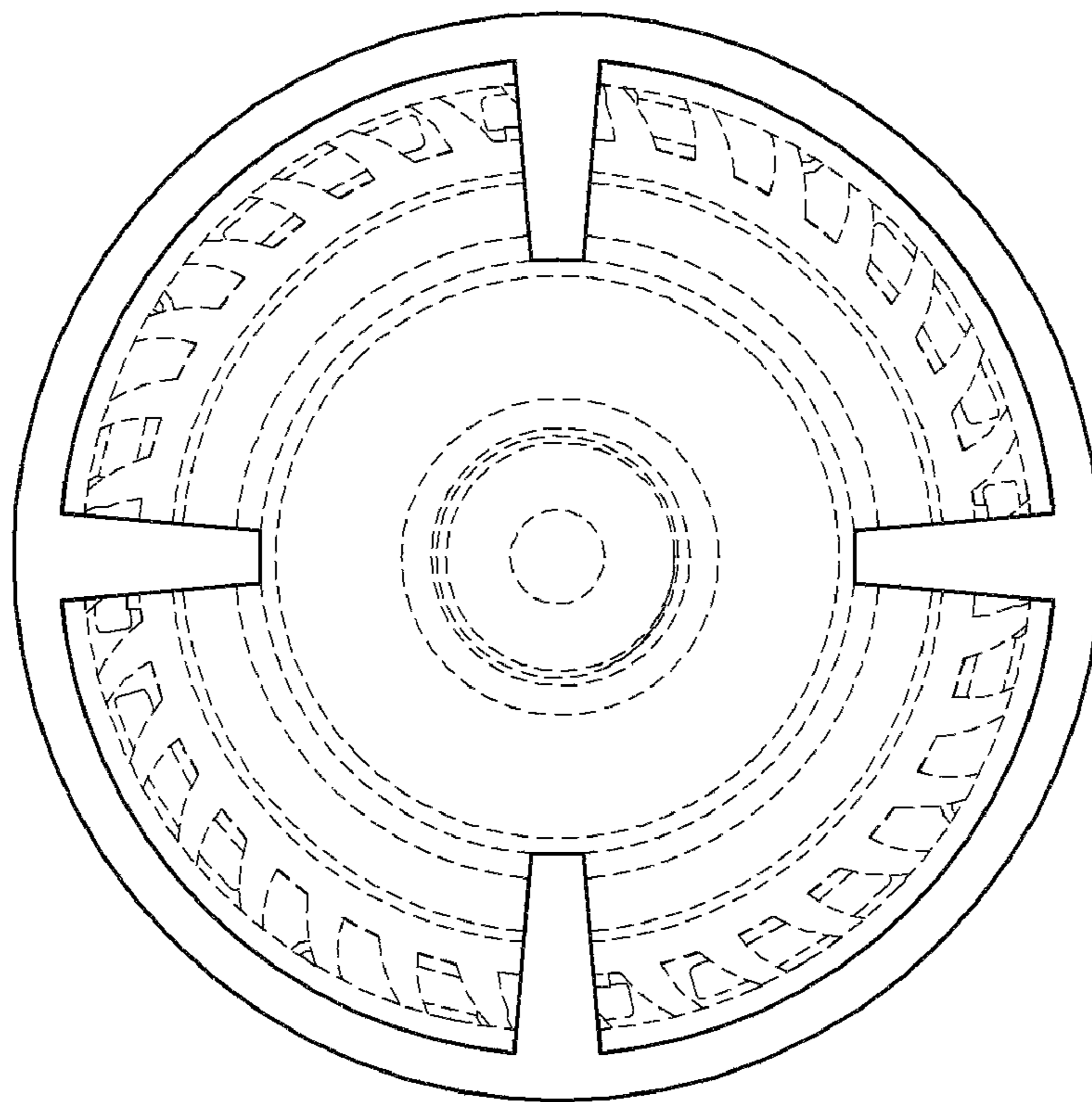


FIG. 6

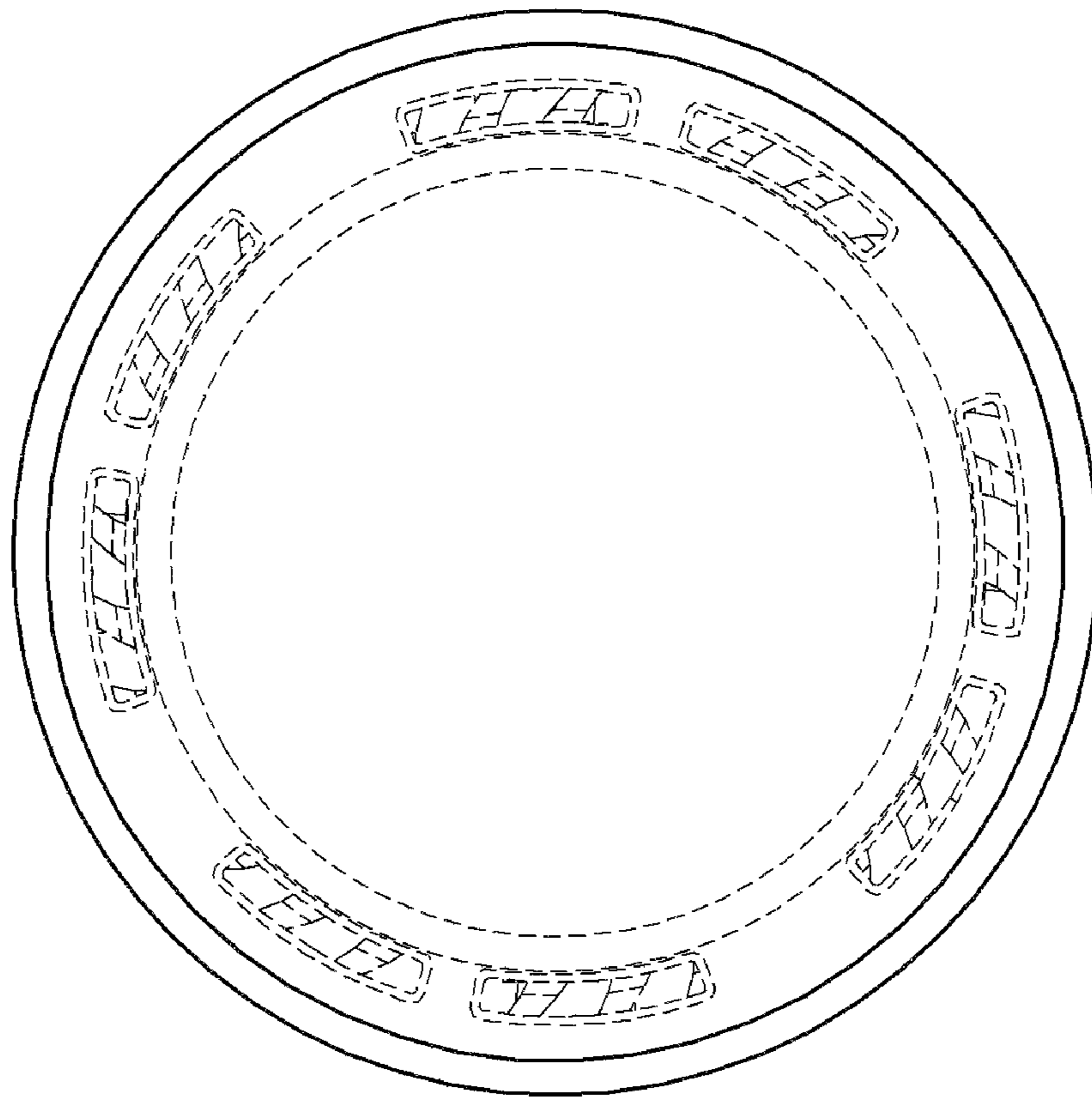


FIG. 7

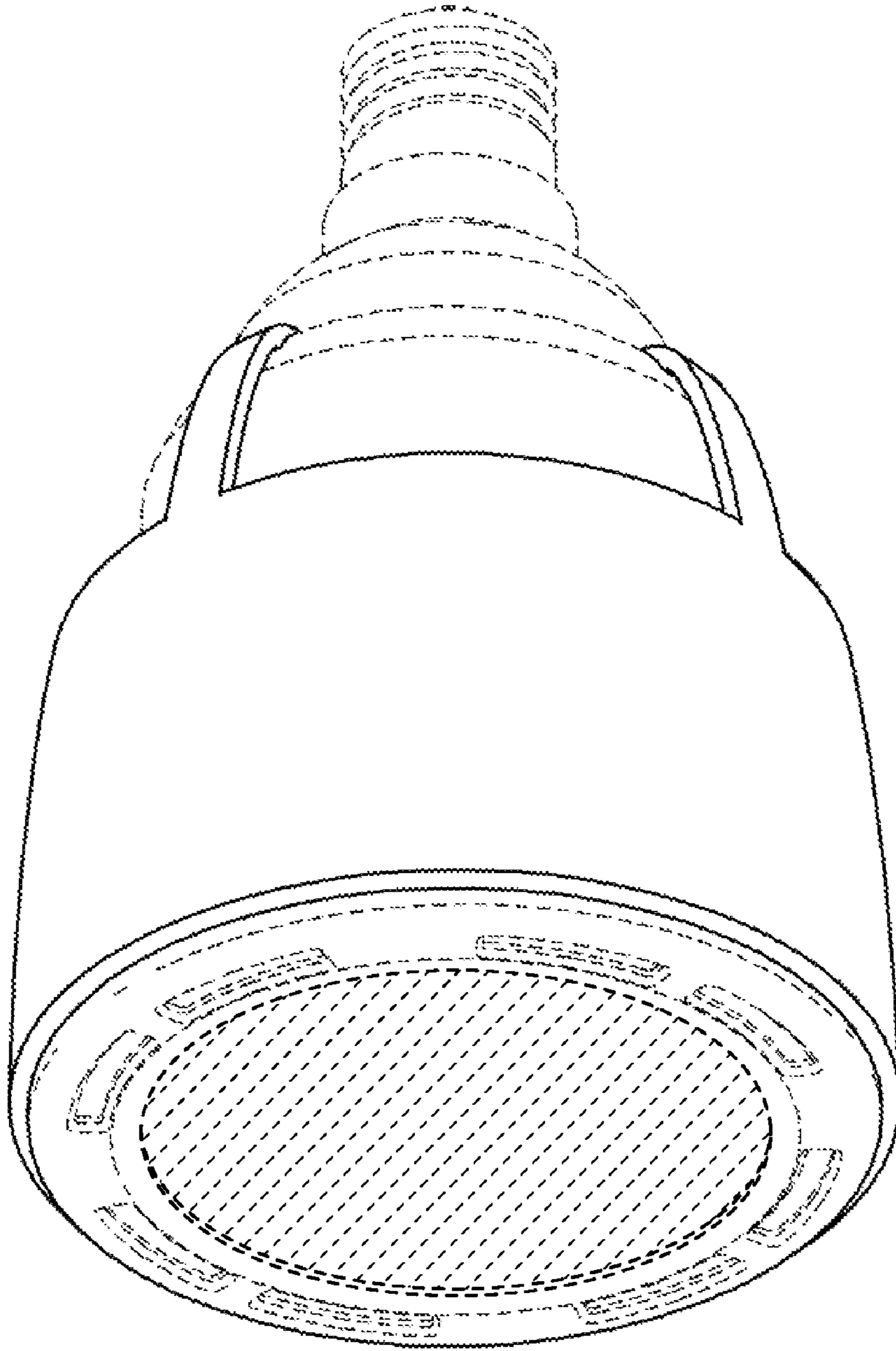


FIG. 8