



US00D643963S

(12) **United States Design Patent**
Verelst

(10) **Patent No.:** **US D643,963 S**

(45) **Date of Patent:** **** Aug. 23, 2011**

(54) **LUMINAIRE**

(75) Inventor: **Dirk Verelst**, Boechout (BE)

(73) Assignee: **Koninklijke Philips Electronics N.V.**,
Eindhoven (NL)

(**) Term: **14 Years**

(21) Appl. No.: **29/382,996**

(22) Filed: **Jan. 11, 2011**

(51) **LOC (9) Cl.** **26-03**

(52) **U.S. Cl.** **D26/84**

(58) **Field of Classification Search** D26/63,
D26/68, 76, 79, 83-92, 128; 362/147, 404-408,
362/217.01, 222, 217.04, 217.14, 217.06
See application file for complete search history.

(56) **References Cited**

U.S. PATENT DOCUMENTS

D50,193 S *	1/1917	Guth	D26/84
D127,825 S *	6/1941	Greppin	D26/84
D168,738 S *	2/1953	Friedman	D23/334
D307,060 S *	4/1990	Fraser	D26/88
D468,474 S *	1/2003	Poulton	D26/90
D578,692 S *	10/2008	Engel	D26/63
D597,702 S *	8/2009	Sabernig	D26/84
D618,843 S *	6/2010	Sabernig	D26/88
D620,166 S *	7/2010	Sabernig	D26/63

D620,174 S *	7/2010	Sabernig	D26/83
D620,180 S *	7/2010	Sabernig	D26/84
D630,365 S *	1/2011	Sabernig	D26/84

OTHER PUBLICATIONS

Vision 2 light floor lamp shown on p. 157 of the 2007 ET2 Lighting Catalog #LETCAT0706. © 2006. (2 pages).*

Termosfar 5 spot low voltage wire system shown on p. 311 of the 2008 IKEA CAtalog. © 2007.*

Form Suspension pendant from Edge Lightng. Original PDF created Feb. 26, 2009.*

Zora 2 light pendant #16635-032 shown on p. 64 of the Eurofase Illuminations catalog #EF09. © 2009. (2 pages—includes rear cover of catalog).*

* cited by examiner

Primary Examiner — Clare E Heflin

(57) **CLAIM**

The ornamental design for a luminaire, as shown.

DESCRIPTION

FIG. 1 is a perspective view showing my design;

FIG. 2 is a front elevational view thereof;

FIG. 3 is a rear elevational view thereof;

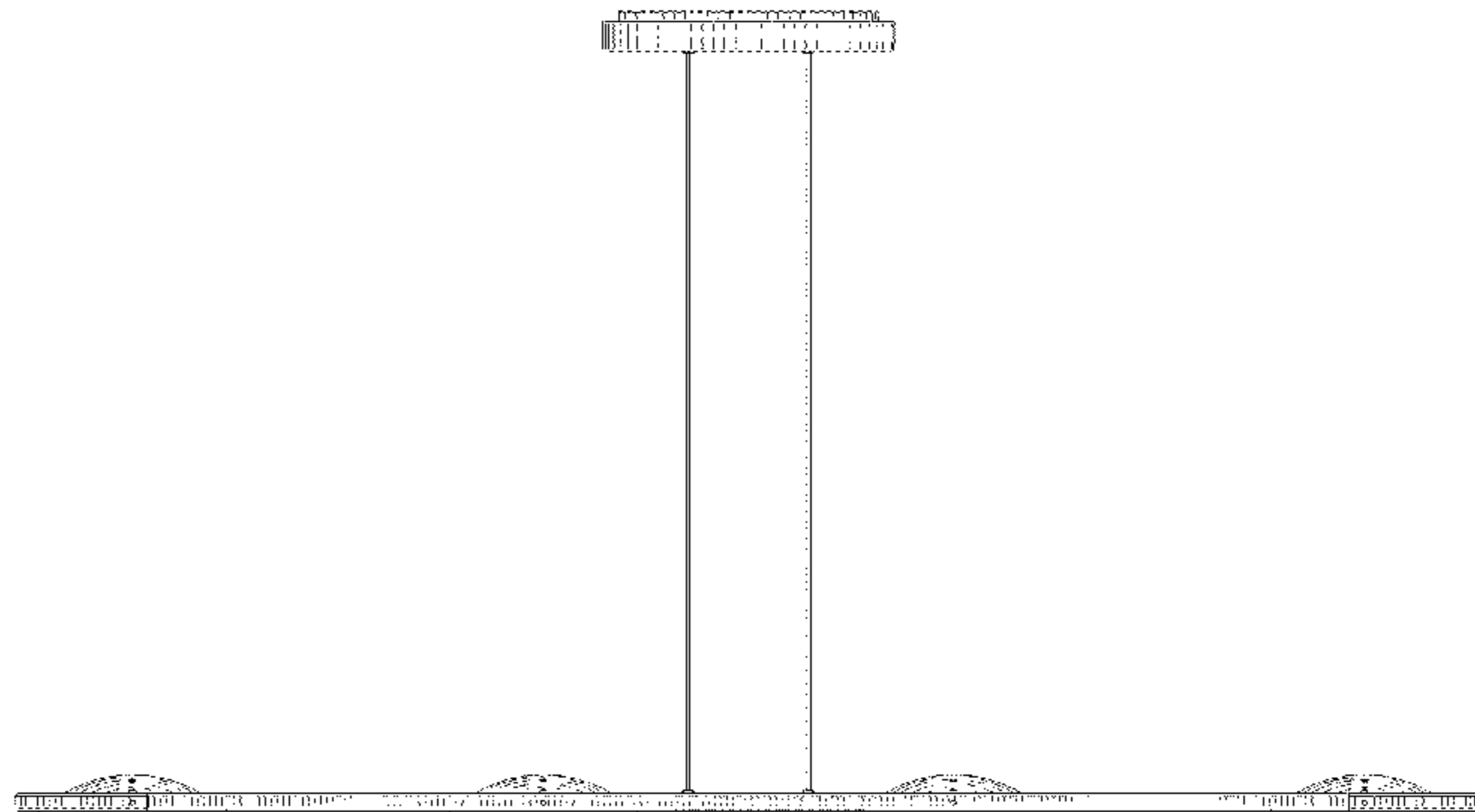
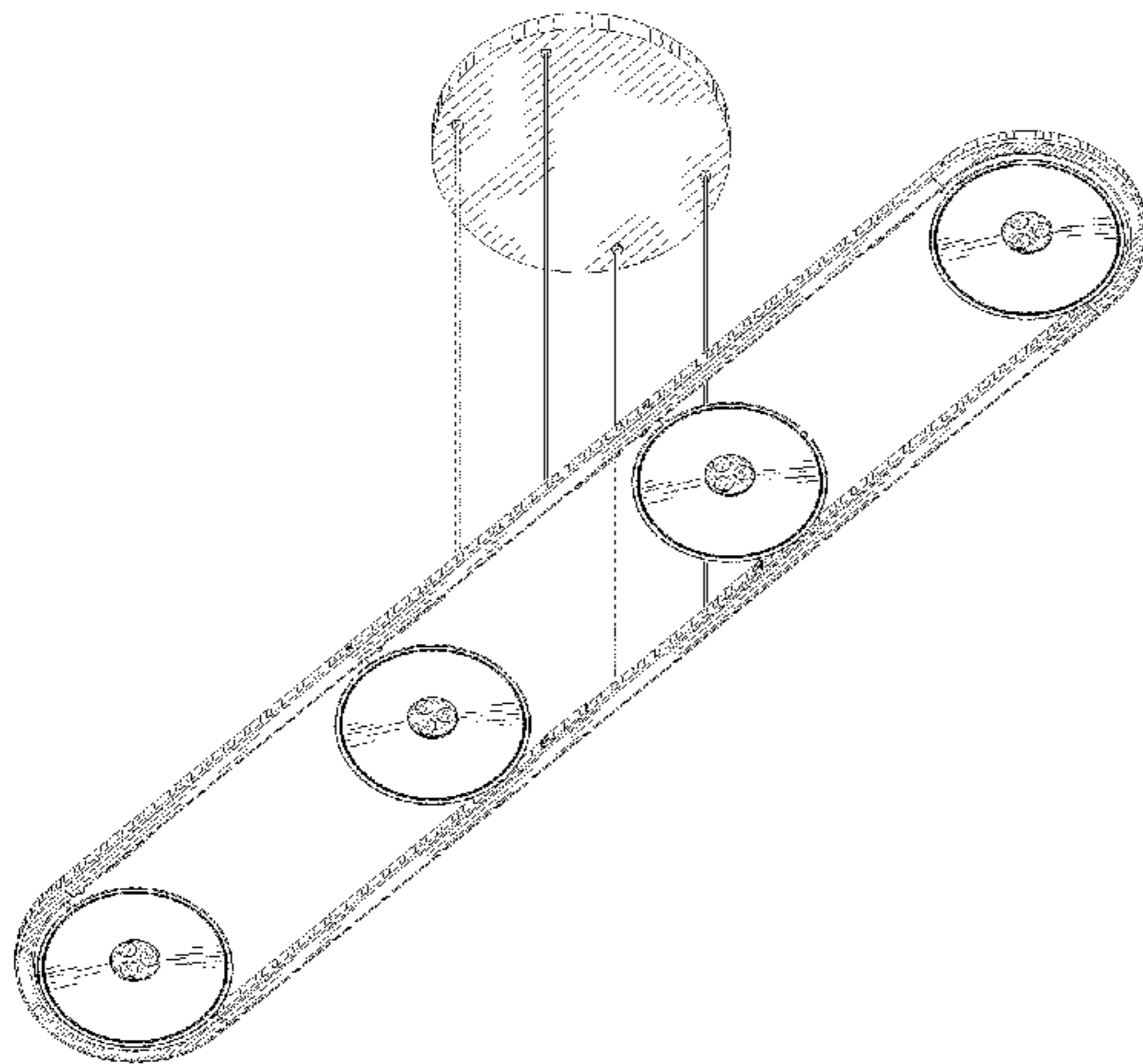
FIG. 4 is a right side elevational view thereof;

FIG. 5 is a left side elevational view thereof;

FIG. 6 is a top plan view thereof; and,

FIG. 7 is a bottom plan view thereof.

1 Claim, 4 Drawing Sheets



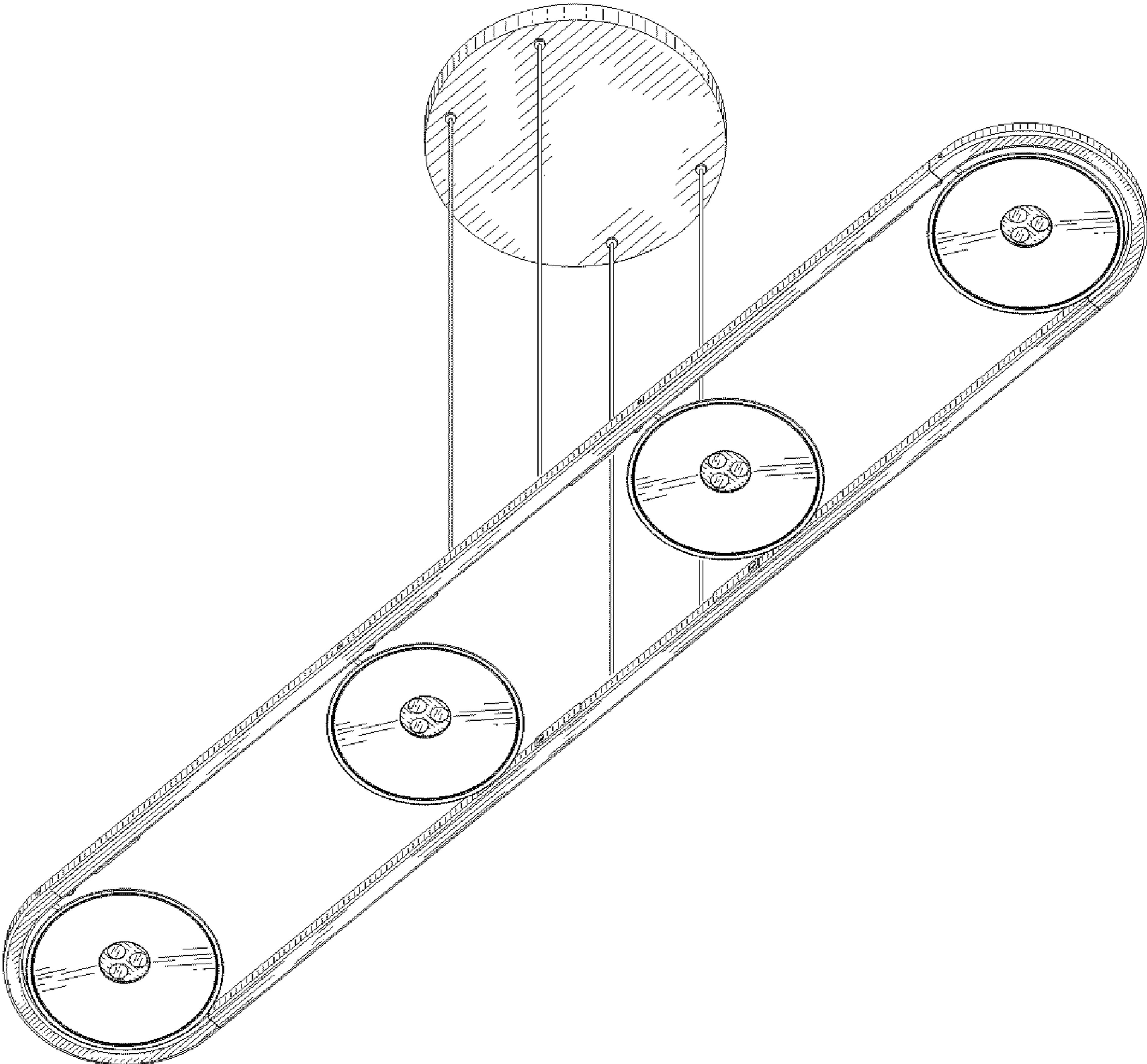


FIG. 1

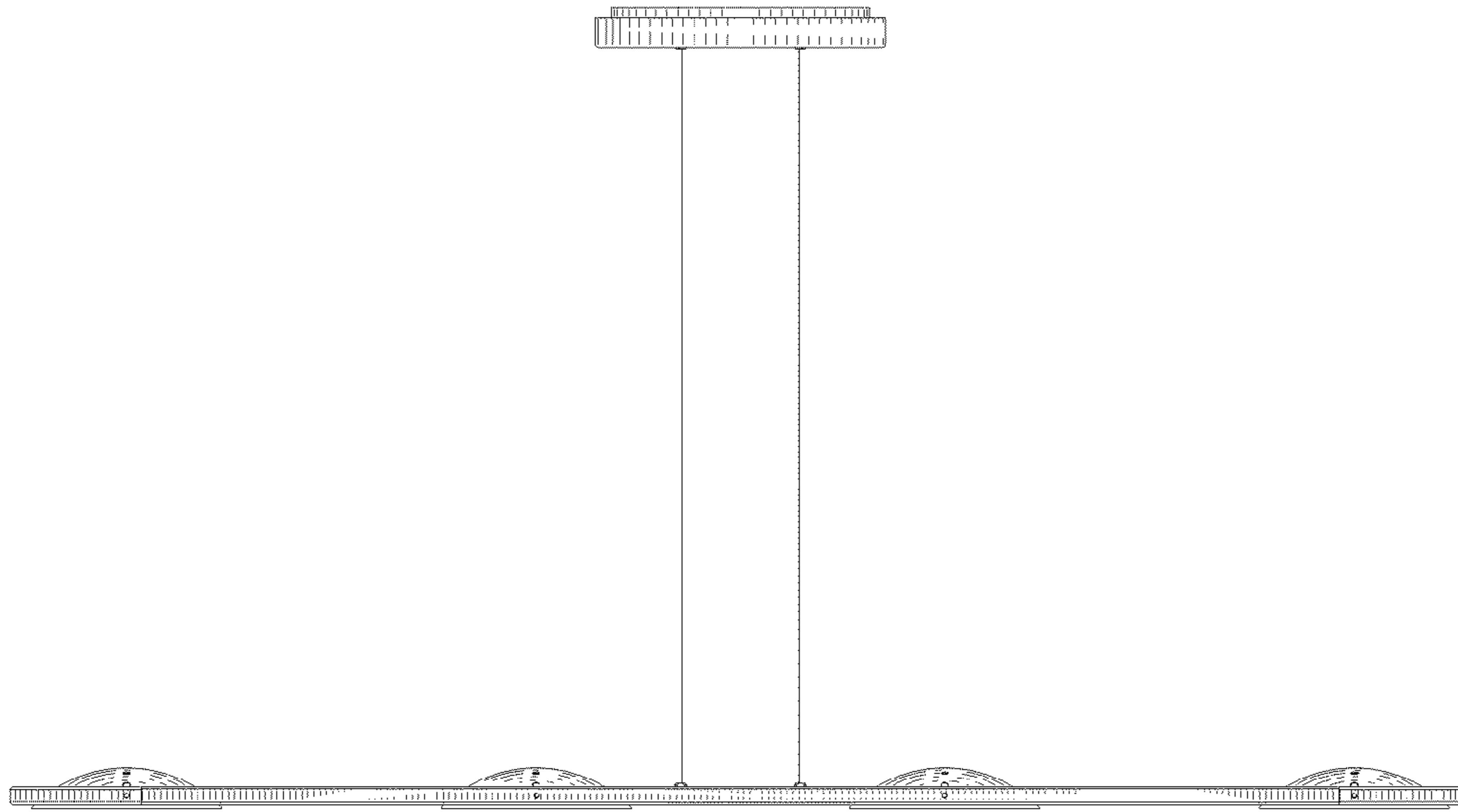


FIG. 2

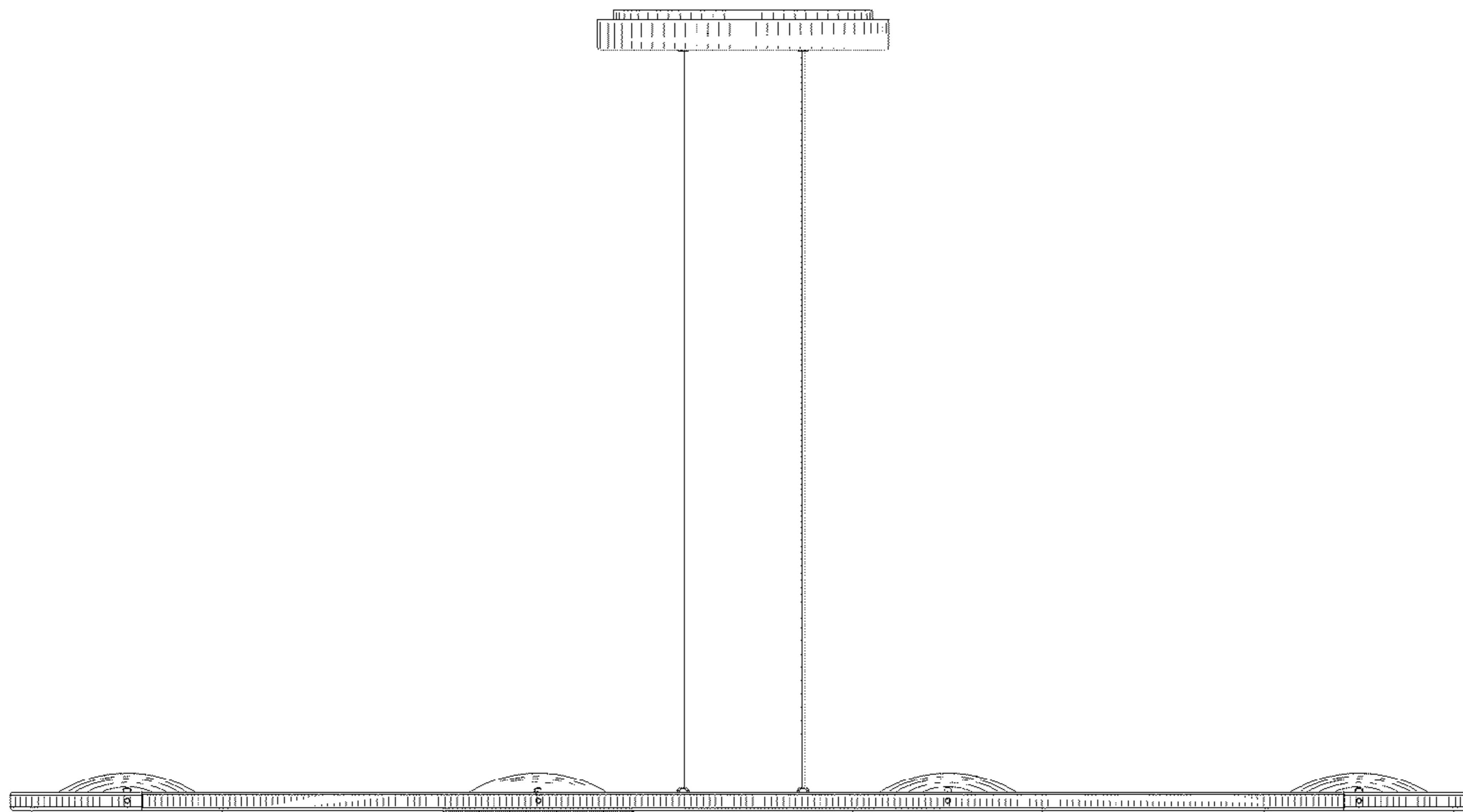


FIG. 3

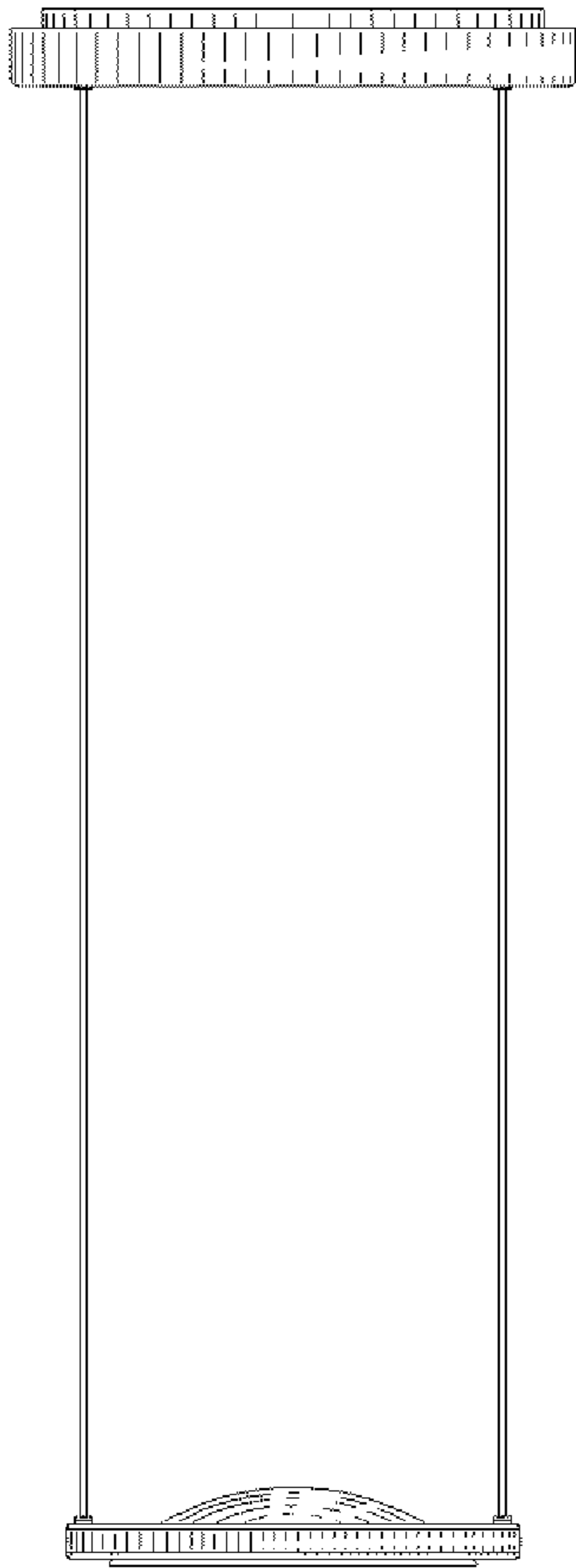


FIG. 4

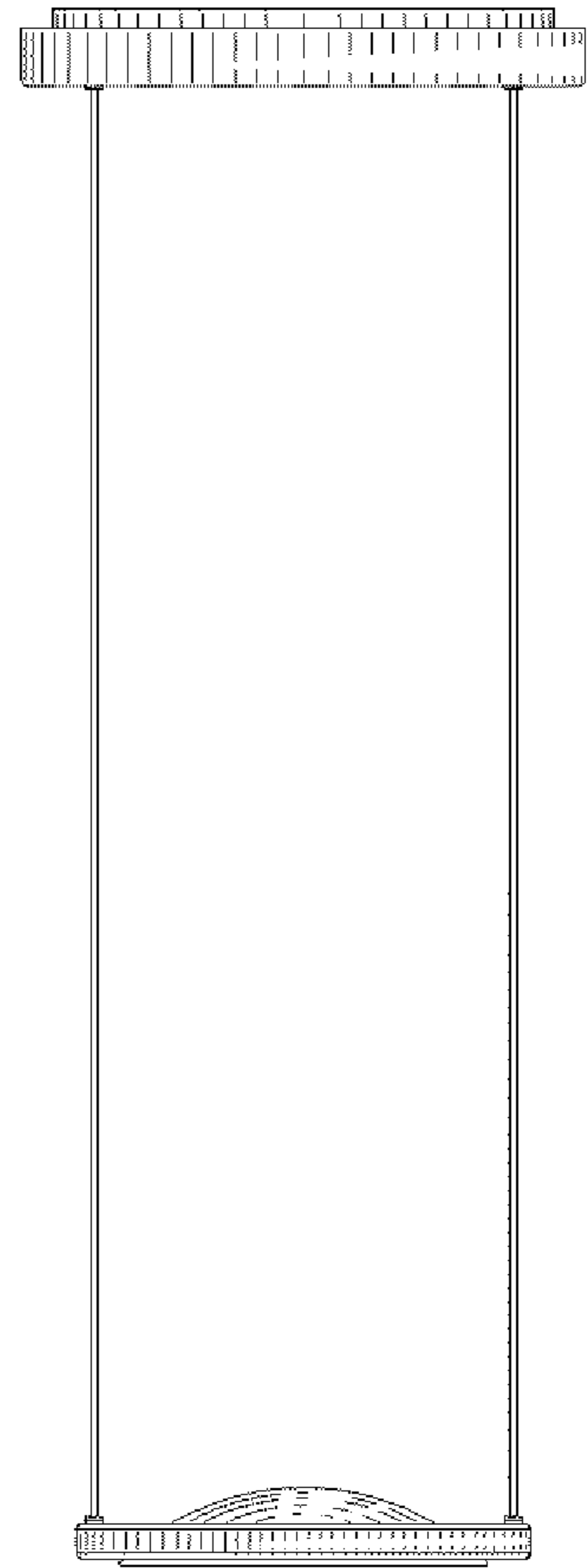


FIG. 5

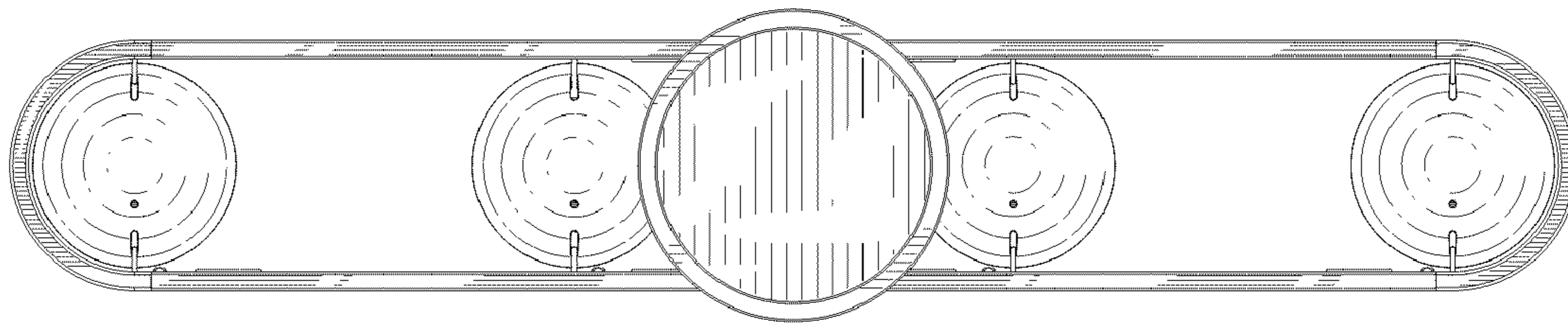


FIG. 6

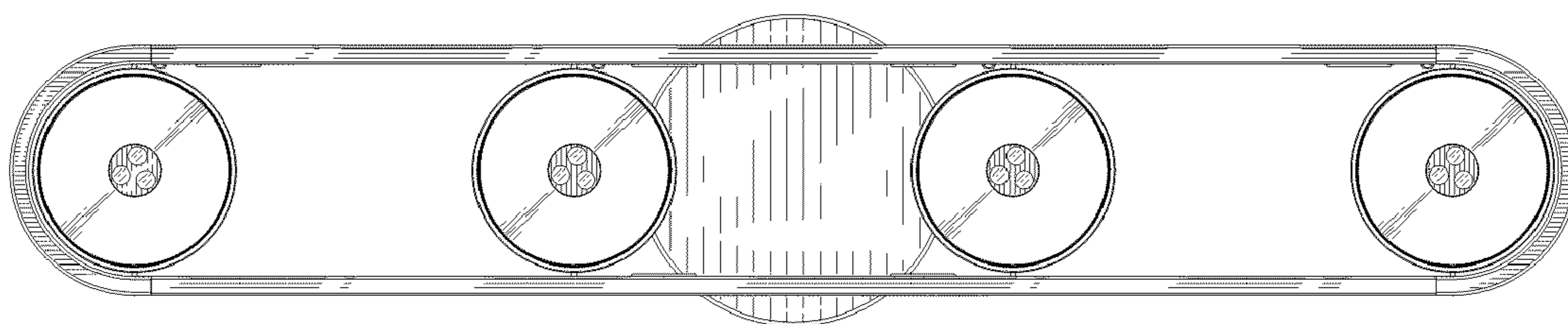


FIG. 7