



US00D643960S

(12) **United States Design Patent**
Waldmann

(10) **Patent No.:** **US D643,960 S**

(45) **Date of Patent:** **** Aug. 23, 2011**

(54) **LAMP**

(75) Inventor: **Gerhard Waldmann**, Stein am Rhein
(CH)

(73) Assignee: **Herbert Waldmann GmbH & Co. KG**,
Villingen-Schwenningen (DE)

(**) Term: **14 Years**

(21) Appl. No.: **29/378,006**

(22) Filed: **Oct. 28, 2010**

Related U.S. Application Data

(62) Division of application No. 29/356,740, filed on Mar.
2, 2010, now Pat. No. Des. 628,734.

(30) **Foreign Application Priority Data**

Sep. 28, 2009 (DE) 40 2009 004 611

(51) **LOC (9) Cl.** **26-05**

(52) **U.S. Cl.** **D26/74**

(58) **Field of Classification Search** D26/72,
D26/74, 75, 76, 77, 78, 79, 80, 81, 82, 83,
D26/84, 85, 86, 88, 89, 90, 91, 1, 2, 3, 24,
D26/56; D13/180, 182; 362/555, 576, 147,
362/150, 217.01, 219, 217.02, 217.03, 217.04,
362/217.05, 217.08, 217.09, 260, 364, 365,
362/366, 404, 800

See application file for complete search history.

(56) **References Cited**

U.S. PATENT DOCUMENTS

2,334,005	A	*	11/1943	Hoeveler	362/223
D161,700	S		1/1951	Marker		
D269,910	S	*	7/1983	Johansson	D25/124
D421,505	S		3/2000	Hastings et al.		
D465,292	S	*	11/2002	Ko	D26/4
D543,305	S		5/2007	Wang		
D570,002	S	*	5/2008	Kitagawa et al.	D26/3
D589,199	S		3/2009	Pedersen		
D589,638	S		3/2009	Collins		
D595,444	S		6/2009	Shimomura		
D603,079	S		10/2009	Toot et al.		
D607,599	S		1/2010	Zhou et al.		
D611,643	S		3/2010	Owen		
D617,488	S		6/2010	Cho		
D621,968	S	*	8/2010	Schultz	D26/1
D625,463	S	*	10/2010	Klus	D26/138
2011/0141722		*	6/2011	Acampora et al.	362/218

* cited by examiner

Primary Examiner — Angela J Lee

(74) *Attorney, Agent, or Firm* — Lackenbach Siegel, LLP;
Andrew Young

(57) **CLAIM**

The ornamental design for a lamp, as shown and described.

DESCRIPTION

FIG. 1 is a front perspective view of a first embodiment of the invention.

FIG. 2 is a top plan view of FIG. 1.

FIG. 3 is an inverted right side elevation view of FIG. 1.

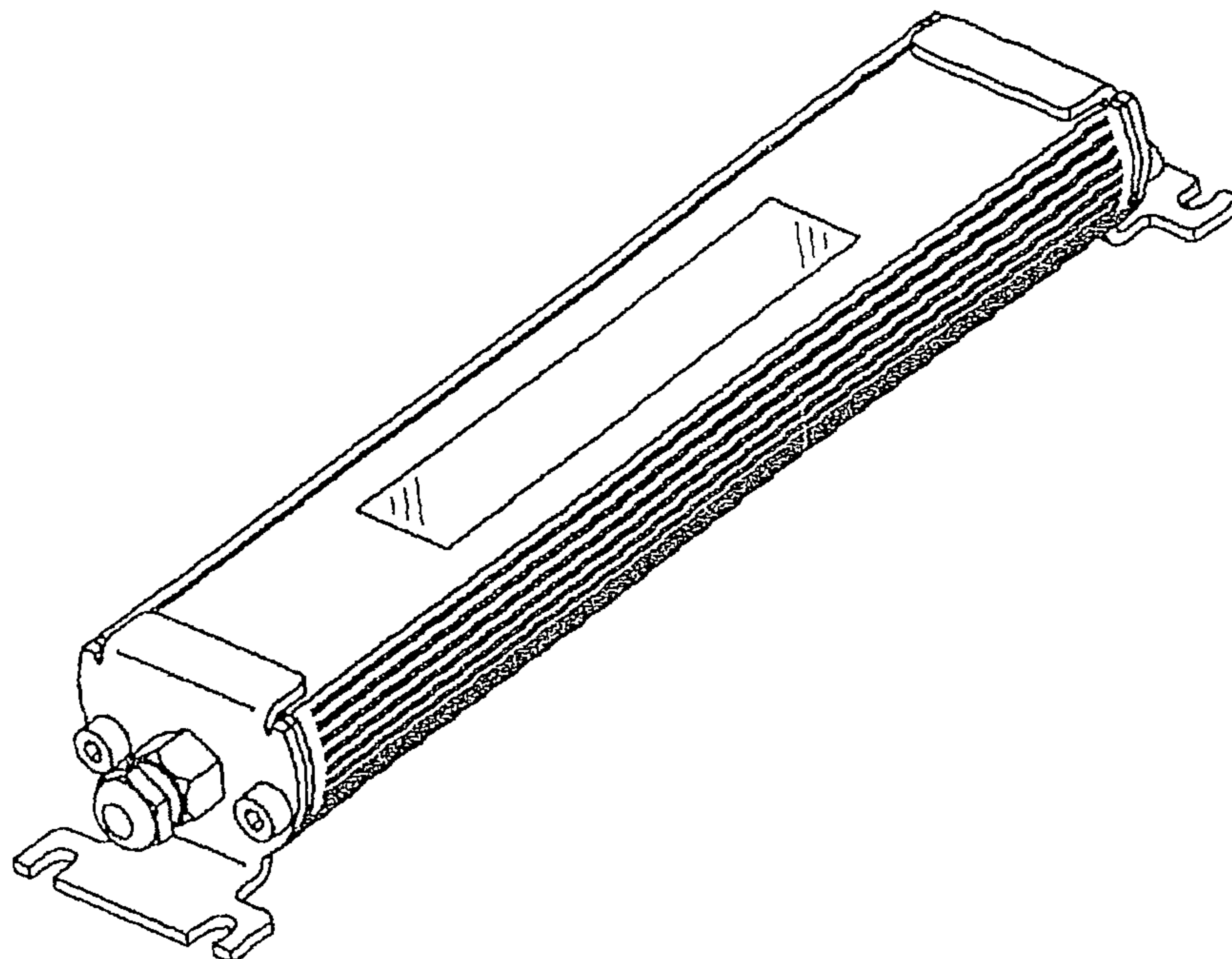
FIG. 4 is a bottom plan view of FIG. 1.

FIG. 5 is a left side elevation view of FIG. 1.

FIG. 6 is a rear elevation view of FIG. 1, in a raised position; and,

FIG. 7 is a front elevation view of FIG. 1, in a raised position.

1 Claim, 4 Drawing Sheets



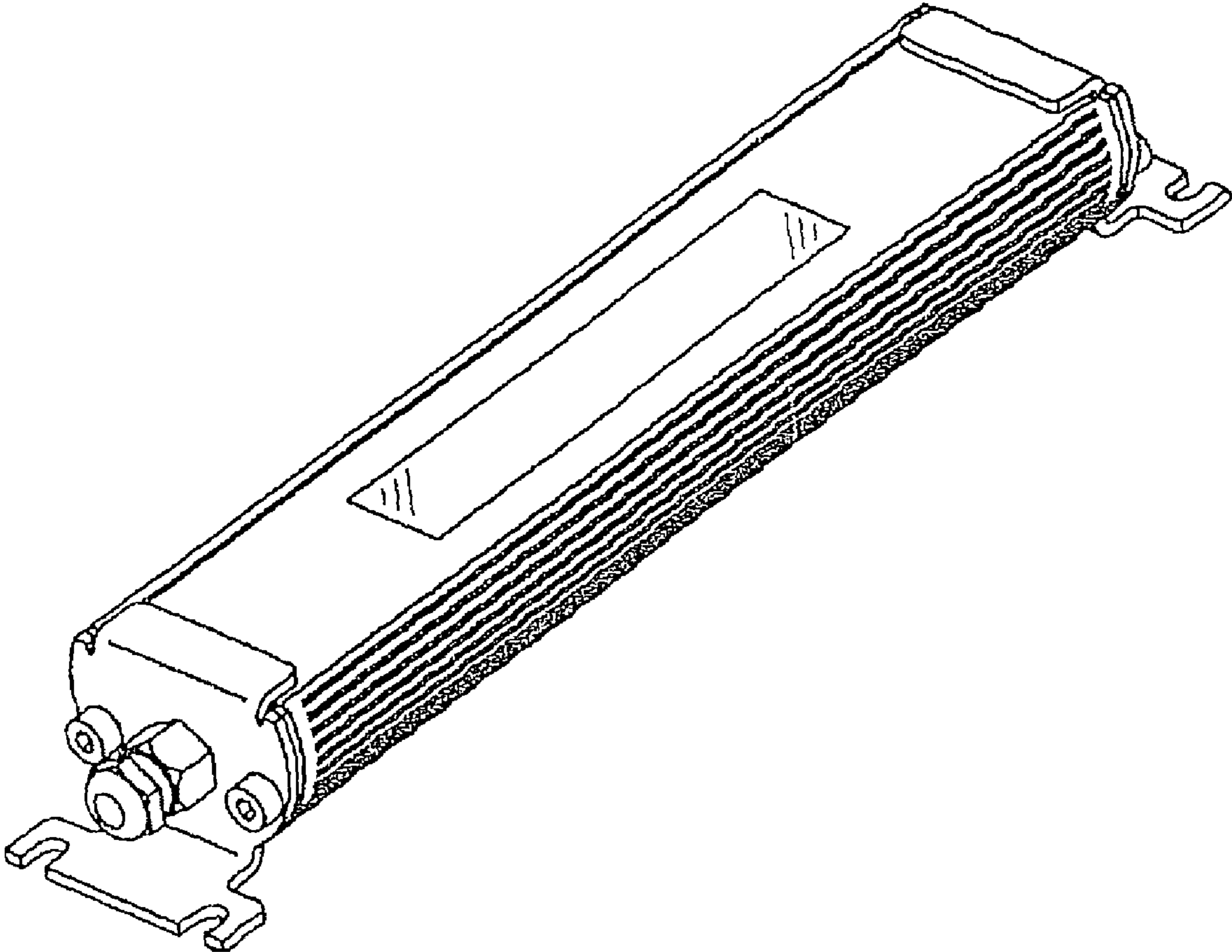


FIG. 1

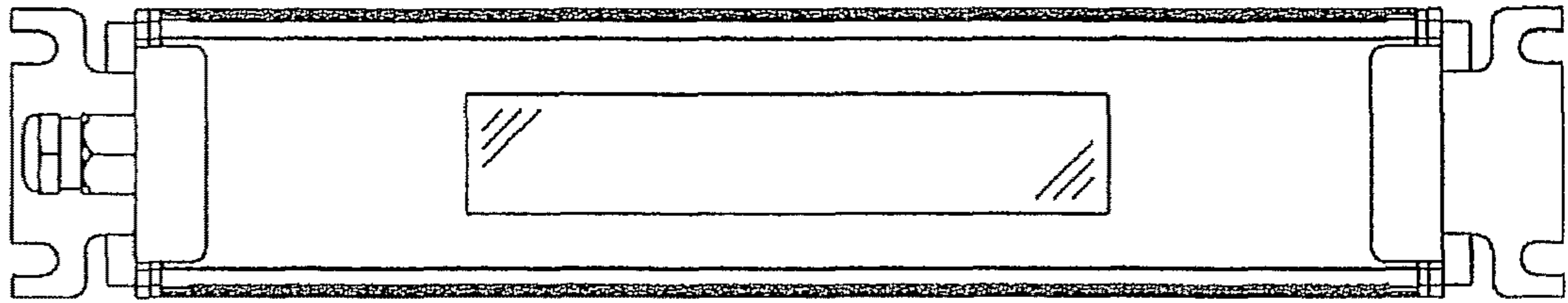


FIG. 2

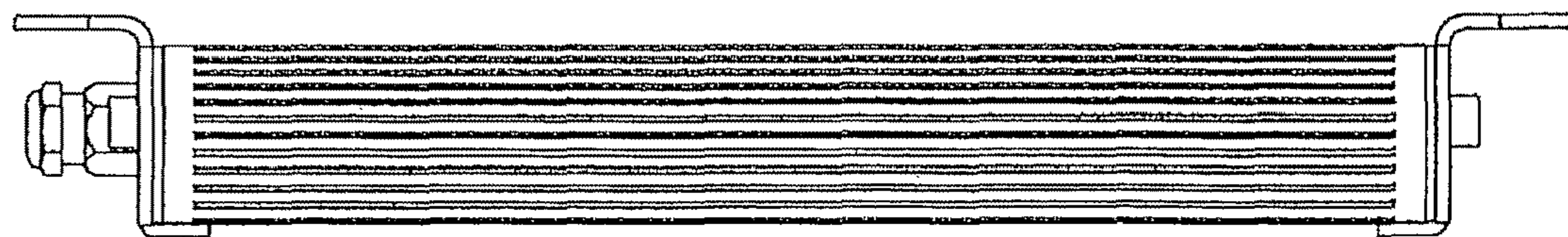


FIG. 3



FIG. 4

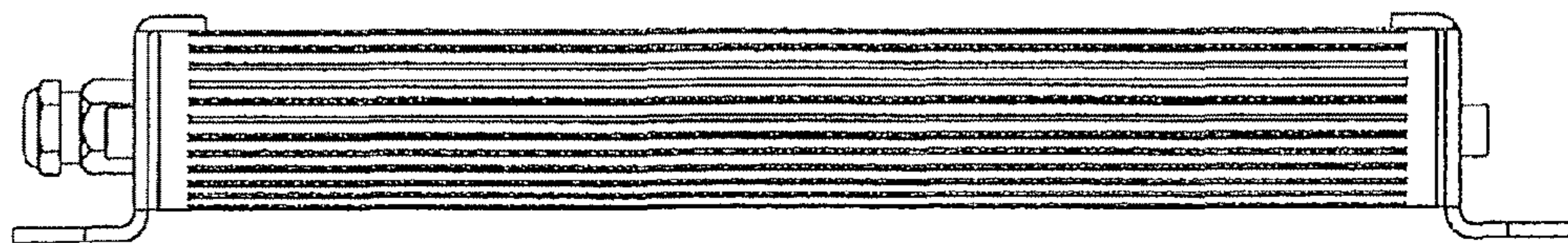


FIG. 5

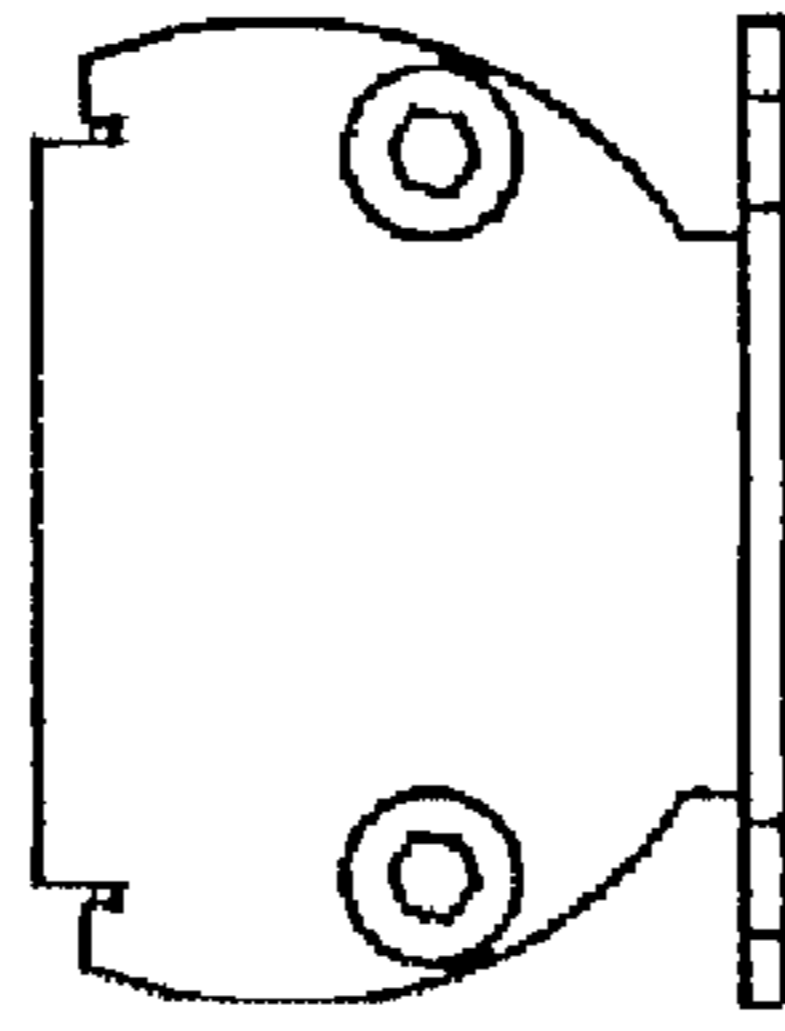


FIG. 6

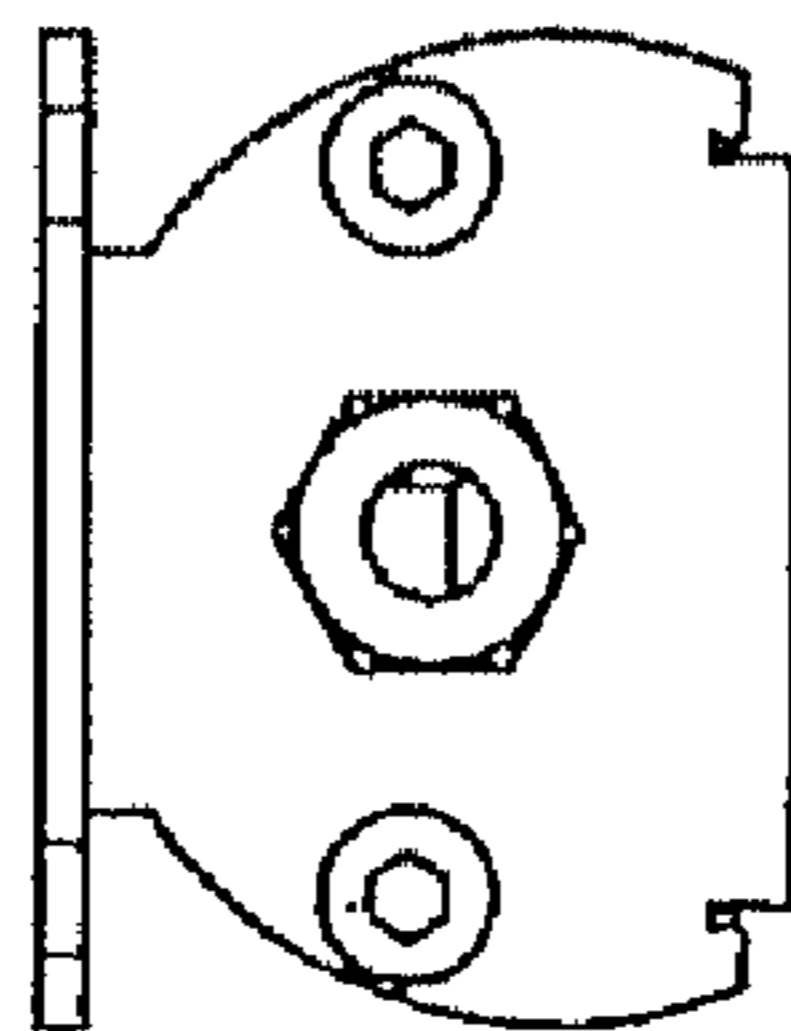


FIG. 7