



US00D643959S

(12) **United States Design Patent**
Hemby

(10) **Patent No.:** **US D643,959 S**

(45) **Date of Patent:** **** Aug. 23, 2011**

(54) **LIGHT HOUSING**

(75) Inventor: **William Hemby**, Baltimore, MD (US)

(73) Assignee: **Halorion Lighting and Security Systems, LLC**, Baltimore, MD (US)

(**) Term: **14 Years**

(21) Appl. No.: **29/362,515**

(22) Filed: **May 26, 2010**

(51) **LOC (9) Cl.** **26-05**

(52) **U.S. Cl.** **D26/71; D26/92**

(58) **Field of Classification Search** D26/63,
D26/67-71, 85, 92, 107; 362/145, 183, 231,
362/240, 249.02, 249.03, 249.04, 249.06,
362/249.16, 373, 431, 432

See application file for complete search history.

(56) **References Cited**

U.S. PATENT DOCUMENTS

D38,832 S *	9/1907	Lederer	D26/71
D191,128 S *	8/1961	Curtin et al.	D26/67
D201,700 S *	7/1965	Stockwell	D26/71
D205,411 S *	8/1966	Pettengill	D26/71

D209,394 S *	11/1967	de Man	D22/122
D230,071 S *	1/1974	Anderson, Jr.	D26/67
D302,047 S *	7/1989	Flannery et al.	D26/71
D329,714 S *	9/1992	McIngvale, Jr.	D26/71
D558,374 S *	12/2007	Sandell	D26/71
D604,005 S *	11/2009	Chan	D26/87
D616,136 S *	5/2010	Lavallee	D26/71
D624,684 S *	9/2010	Hemby	D26/71
2009/0073689 A1 *	3/2009	Patrick	362/234

* cited by examiner

Primary Examiner — Clare E Heflin

(74) *Attorney, Agent, or Firm* — Sughrue Mion, PLLC

(57) **CLAIM**

The ornamental design for a light housing, as shown and described.

DESCRIPTION

FIG. 1 is a right elevational view of a light housing showing my new design;

FIG. 2 is a rear elevational view thereof;

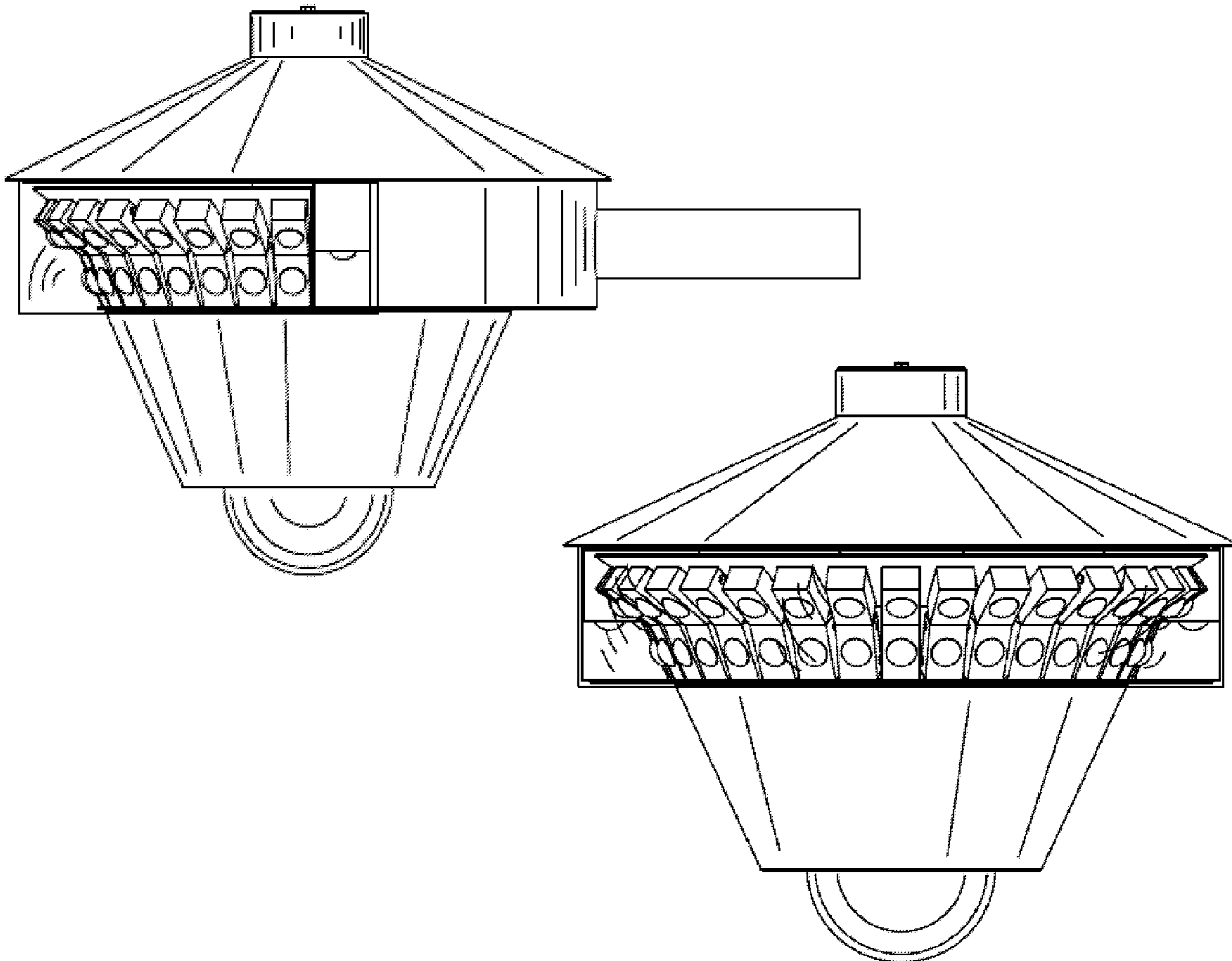
FIG. 3 is a left elevational view thereof;

FIG. 4 is a front elevational view thereof;

FIG. 5 is a top plan view thereof; and,

FIG. 6 is a bottom plan view thereof.

1 Claim, 6 Drawing Sheets



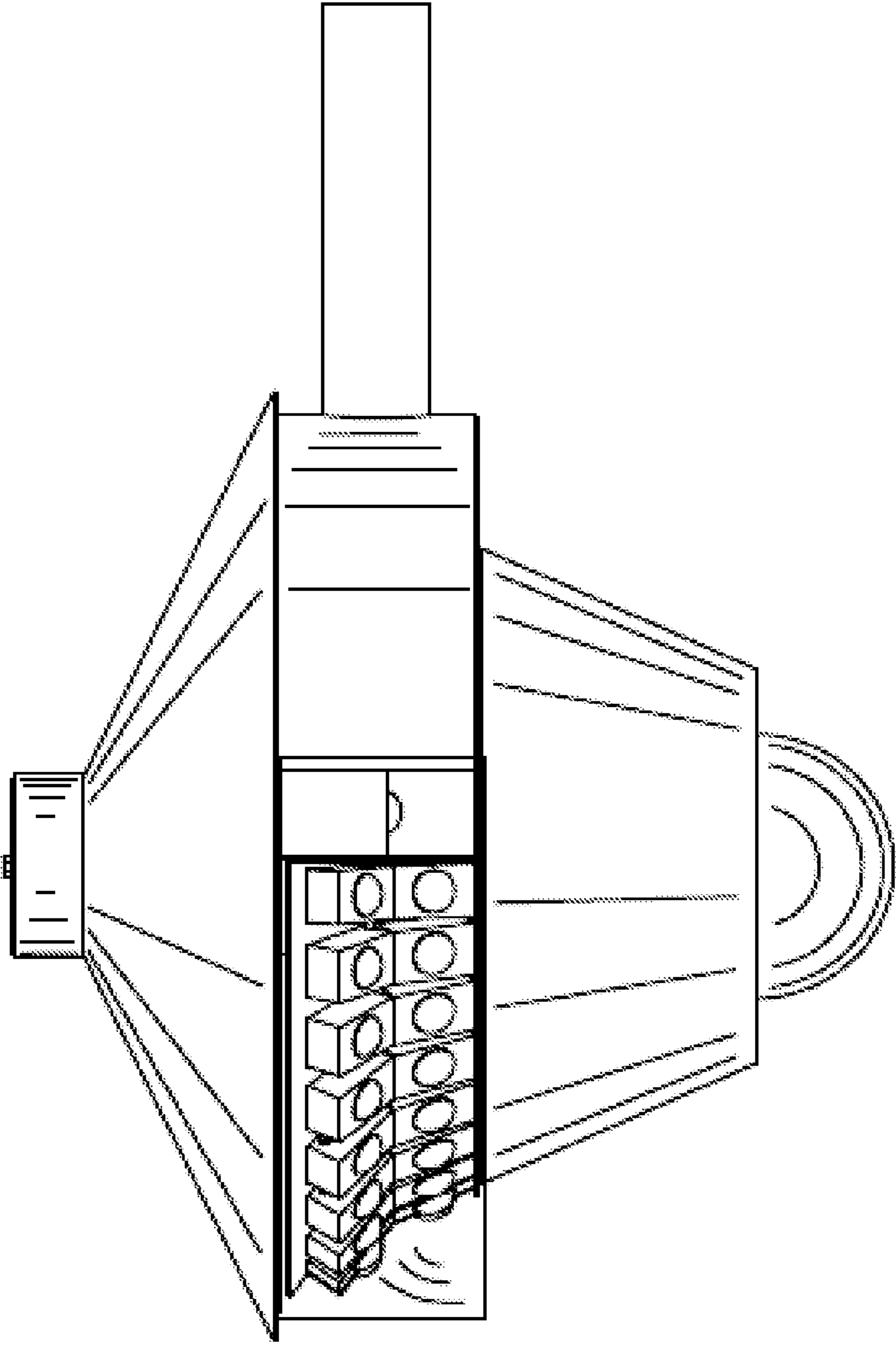


FIG. 1

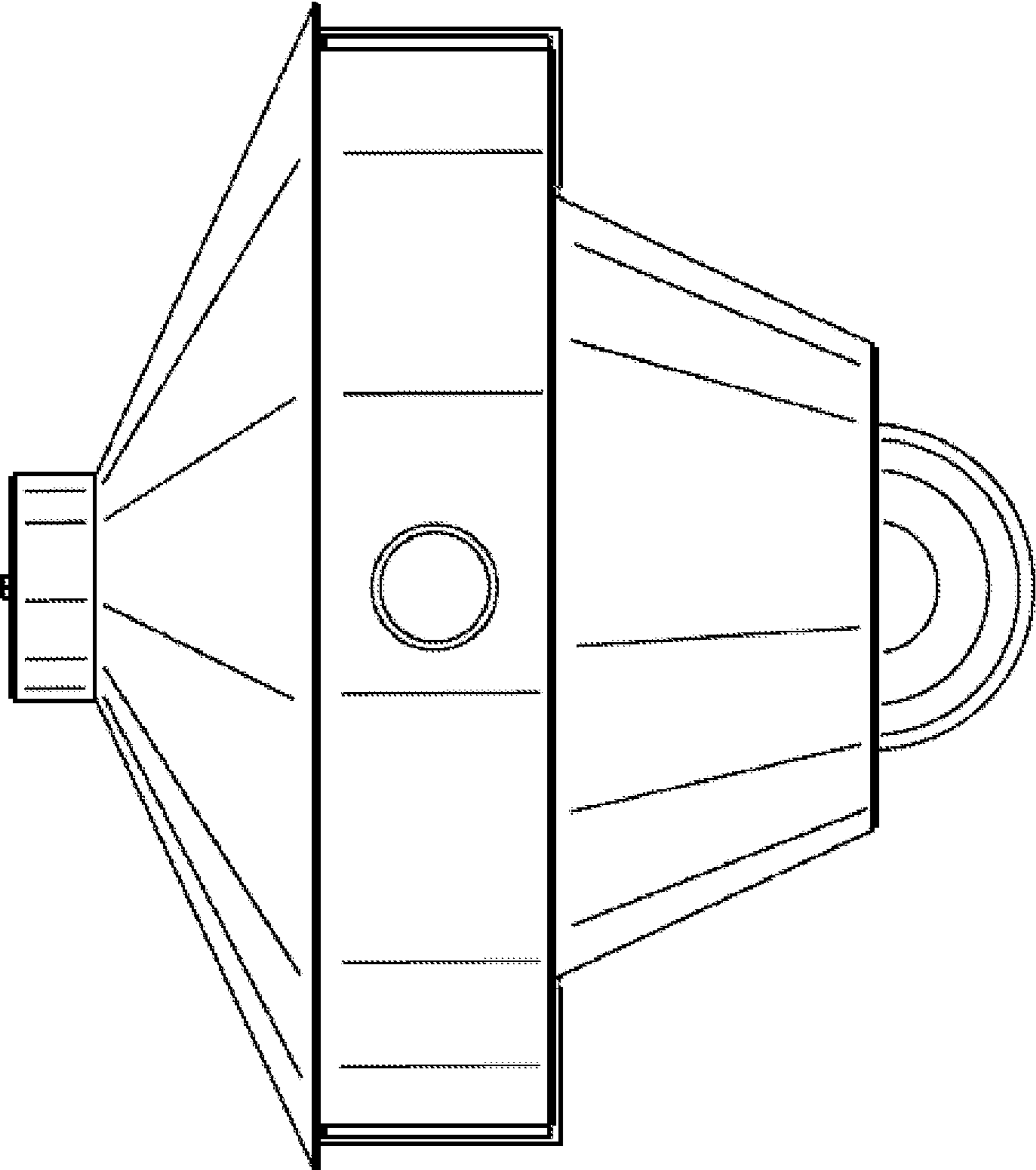


FIG. 2

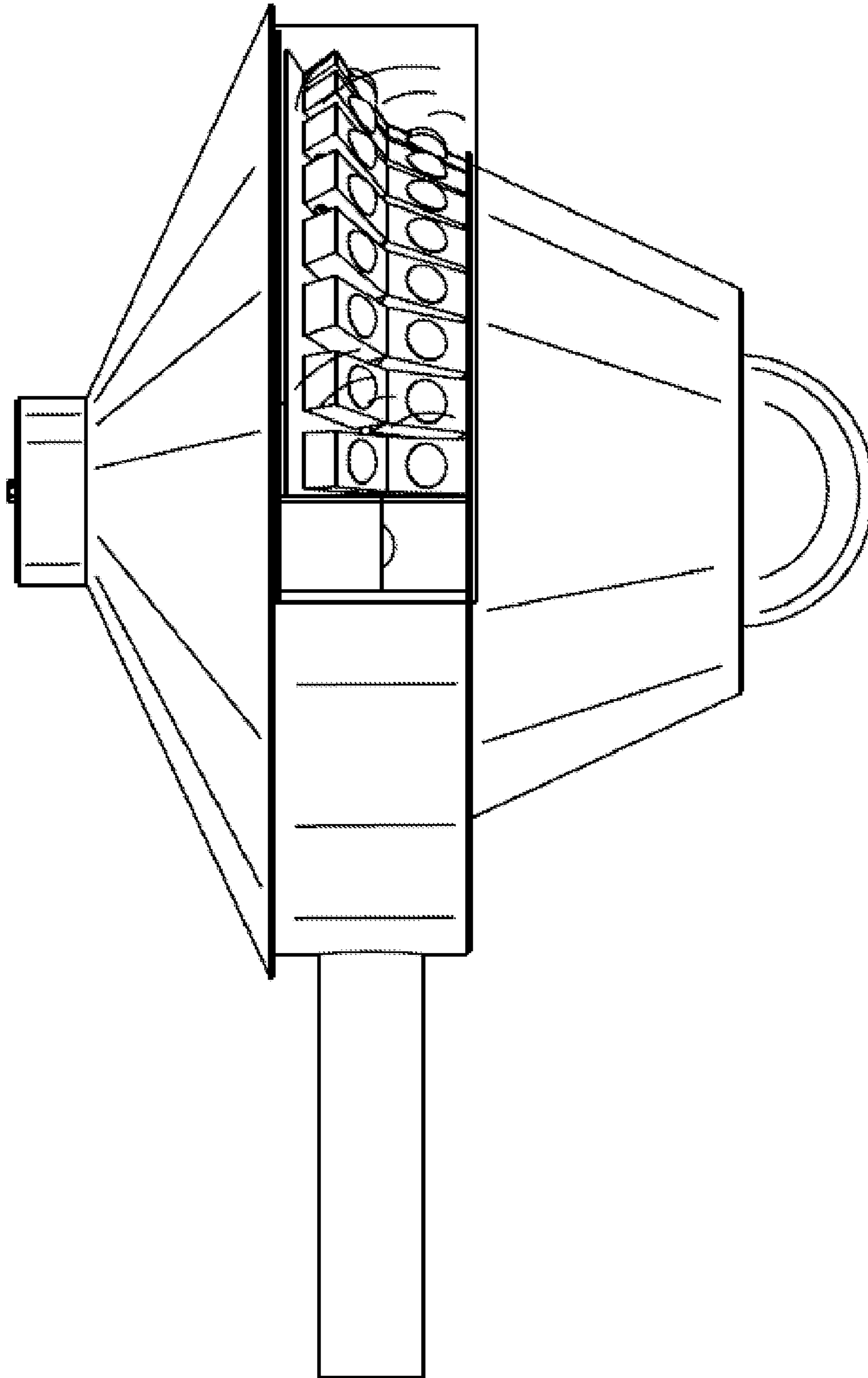


FIG. 3

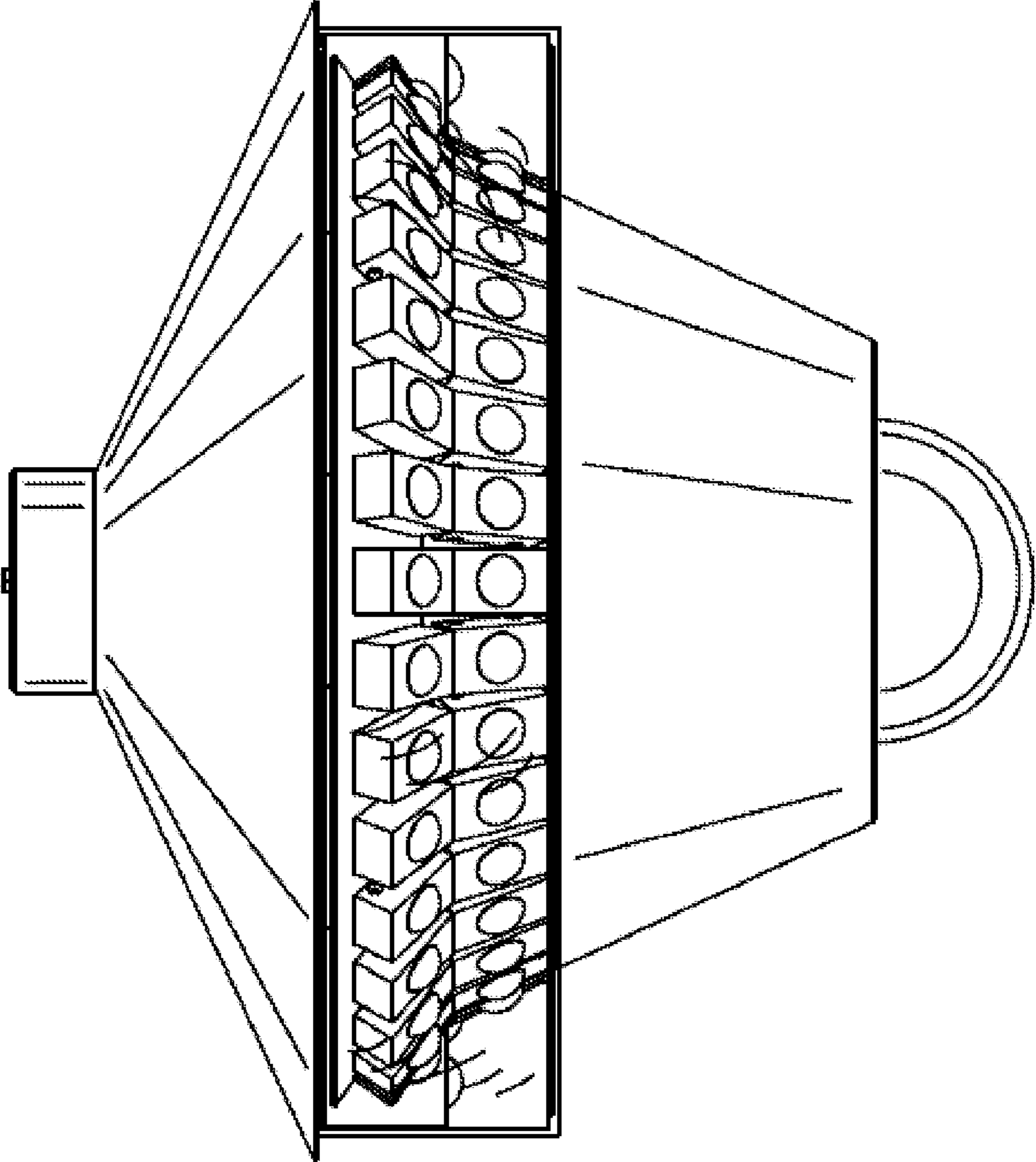


FIG. 4

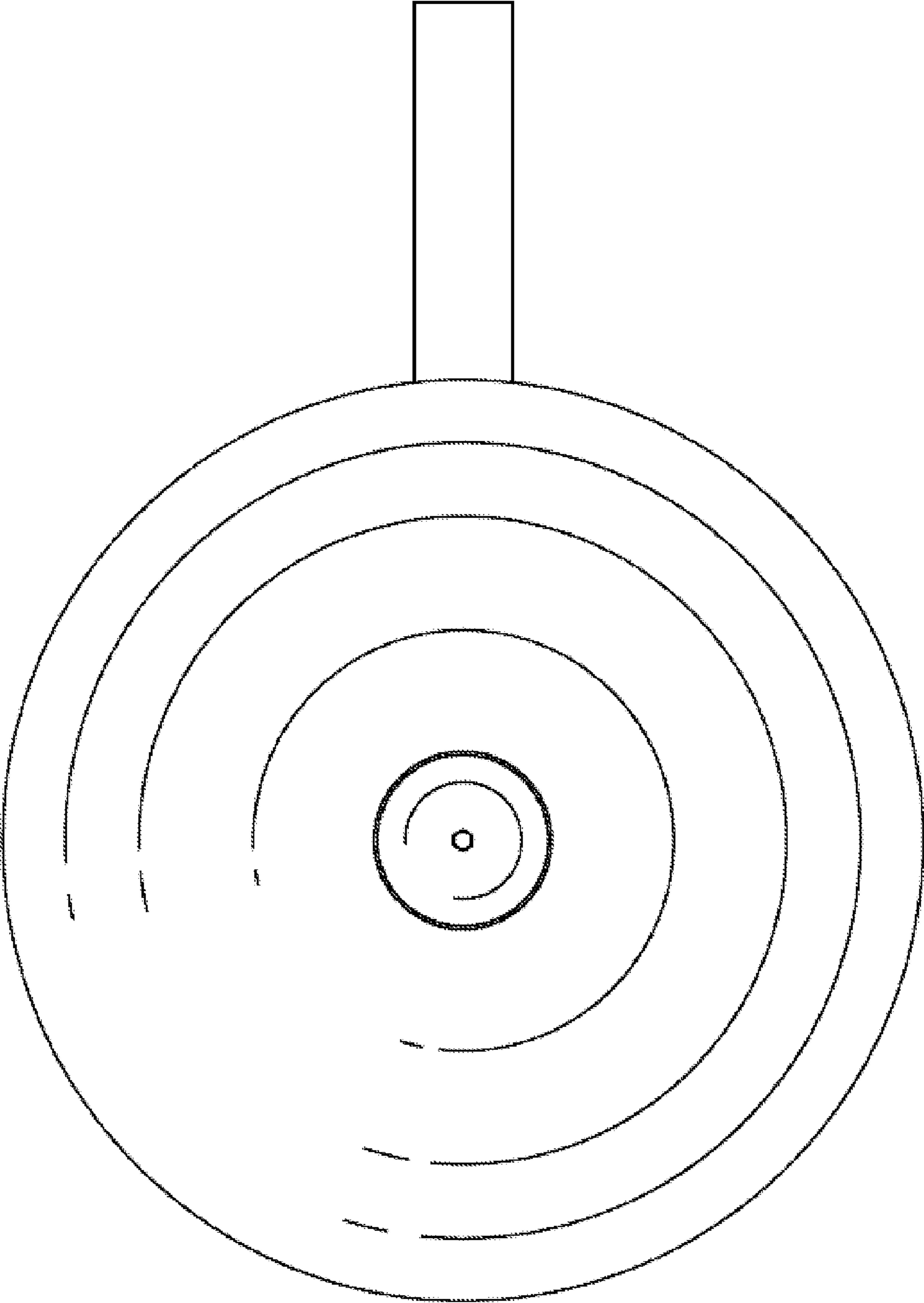


FIG 5.

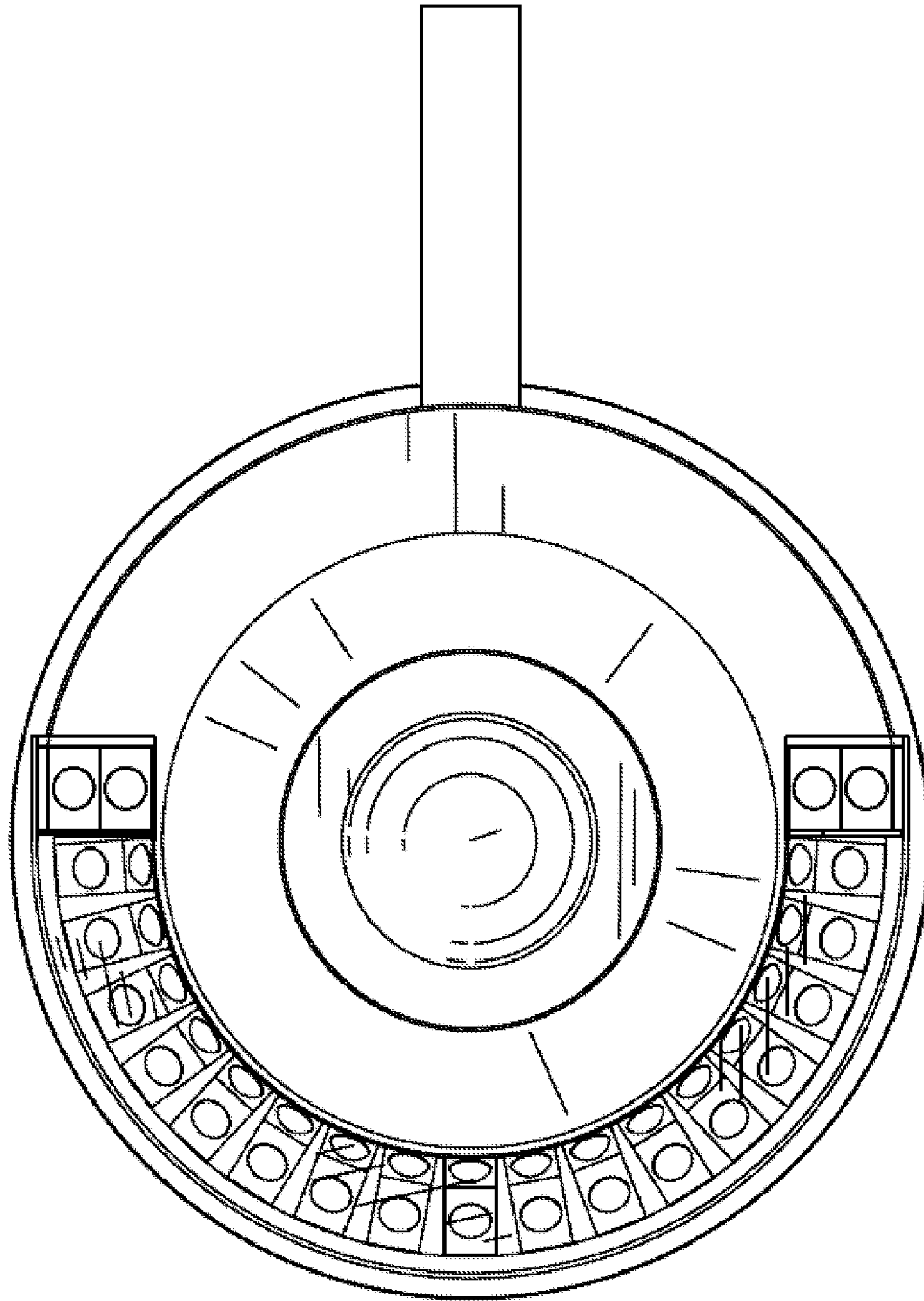


FIG. 6