



US00D643958S

(12) **United States Design Patent**
Lin et al.

(10) **Patent No.:** **US D643,958 S**

(45) **Date of Patent:** **** Aug. 23, 2011**

(54) **LED LIGHT FIXTURE**

(75) Inventors: **Chung-Jen Lin**, Taipei (TW);
Hsian-Lung Tan, Zhongli (TW)

(73) Assignee: **Neobulb Technologies, Inc.** (BN)

(**) Term: **14 Years**

(21) Appl. No.: **29/357,838**

(22) Filed: **Mar. 18, 2010**

(51) **LOC (9) Cl.** **26-05**

(52) **U.S. Cl.** **D26/71; D26/92**

(58) **Field of Classification Search** D26/63,
D26/67-71, 85, 92, 107; 362/145, 183, 231,
362/240, 249.02, 249.03, 249.04, 249.06,
362/249.16, 373, 431, 432

See application file for complete search history.

(56) **References Cited**

U.S. PATENT DOCUMENTS

D228,361 S *	9/1973	Burns et al.	D26/71
D239,861 S *	5/1976	Steenhoven	D26/71
D257,892 S *	1/1981	Dean et al.	D26/71
D294,397 S *	2/1988	Ewing et al.	D26/71
D385,643 S *	10/1997	Brohard et al.	D26/71
D556,935 S *	12/2007	Quioque et al.	D26/71
D600,848 S *	9/2009	Wung et al.	D26/71

D616,592 S *	5/2010	Chen	D26/71
D617,033 S *	6/2010	Gaskins	D26/85
2008/0298051 A1 *	12/2008	Chu	362/183

* cited by examiner

Primary Examiner — Clare E Heflin

(74) *Attorney, Agent, or Firm* — Thomas, Kayden,
Horstemeyer & Risley, LLP.

(57) **CLAIM**

The ornamental design for a LED light fixture, as shown and described.

DESCRIPTION

FIG. 1 is a perspective view of a LED light fixture showing our design;

FIG. 2 is another perspective view thereof;

FIG. 3 is a front elevation view thereof;

FIG. 4 is a rear elevation view thereof;

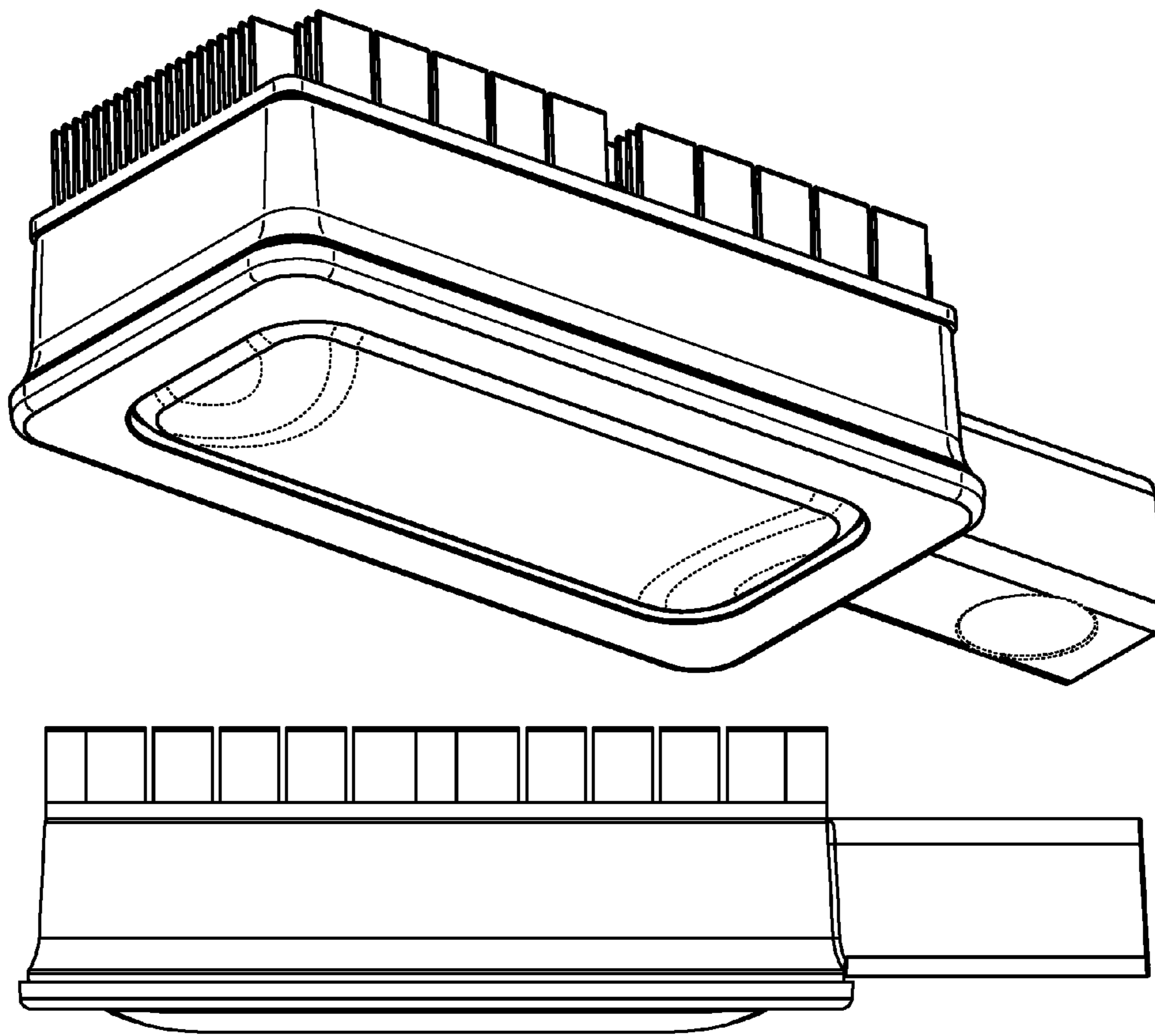
FIG. 5 is a left elevation view thereof, the right elevation view thereof being the same as the left;

FIG. 6 is a top plan view thereof; and,

FIG. 7 is a bottom plan view thereof.

The broken line showing is for the purpose of illustrating environmental structure and forms no part of the claimed design.

1 Claim, 4 Drawing Sheets



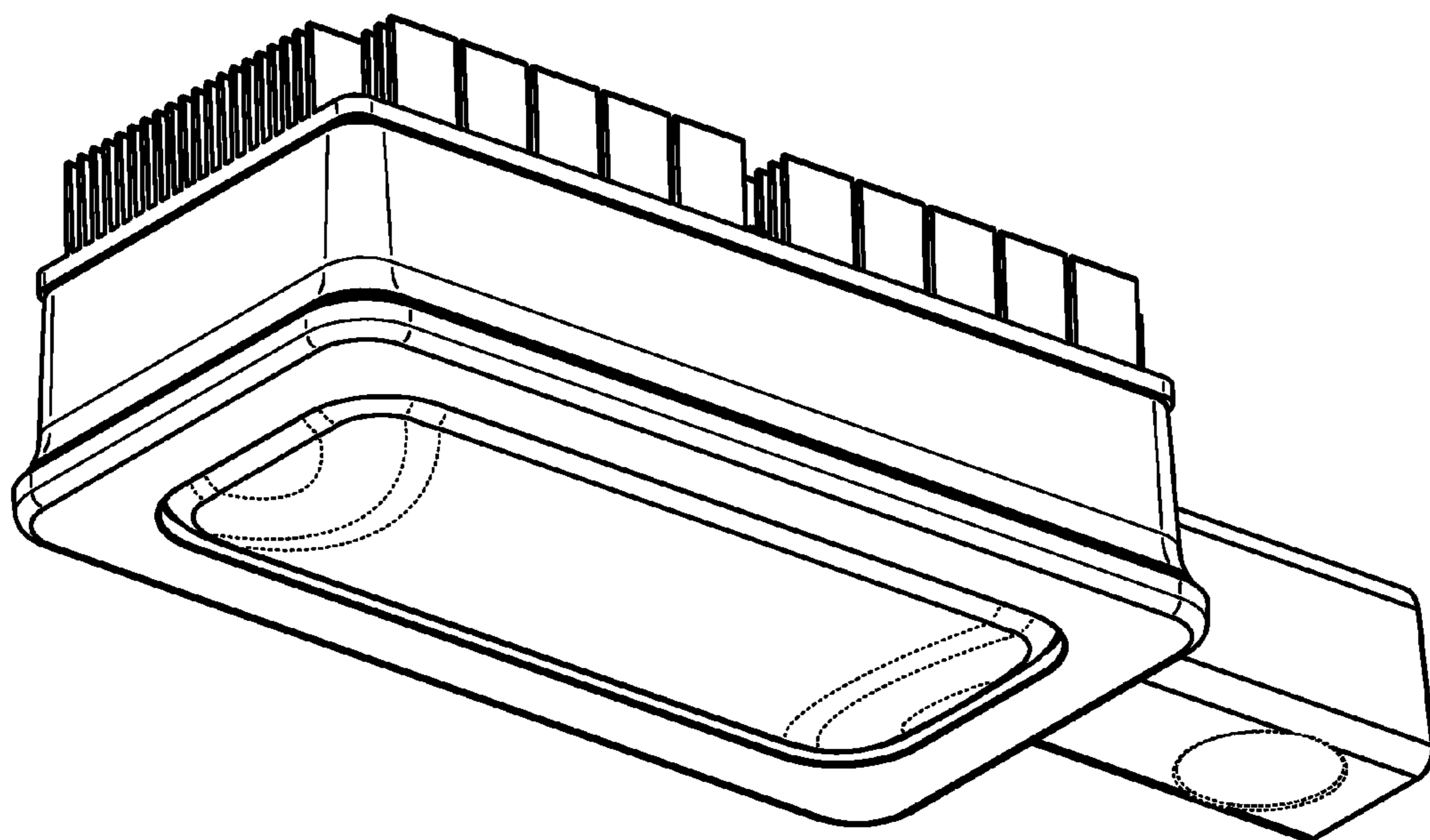


FIG. 1

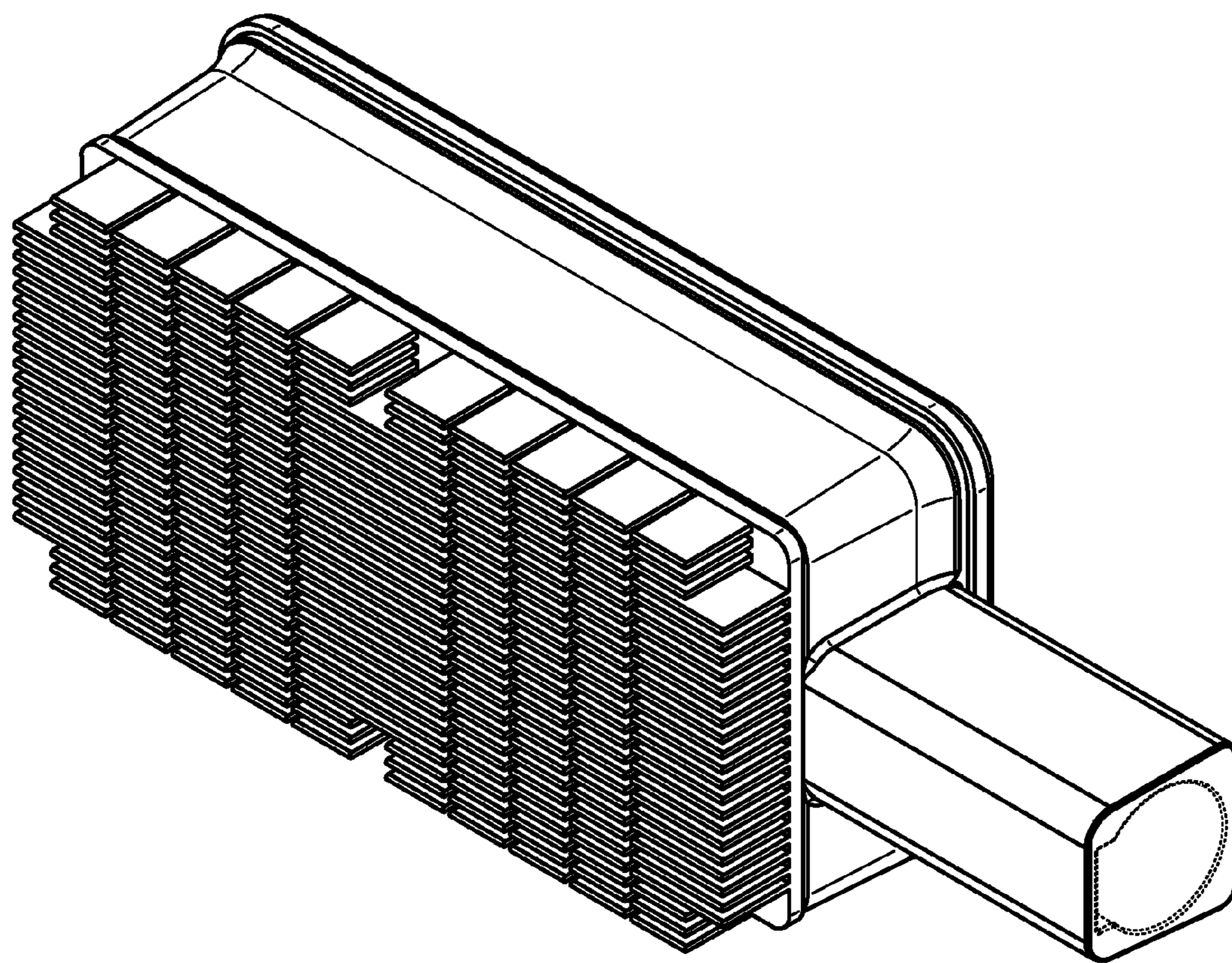


FIG. 2



FIG. 3

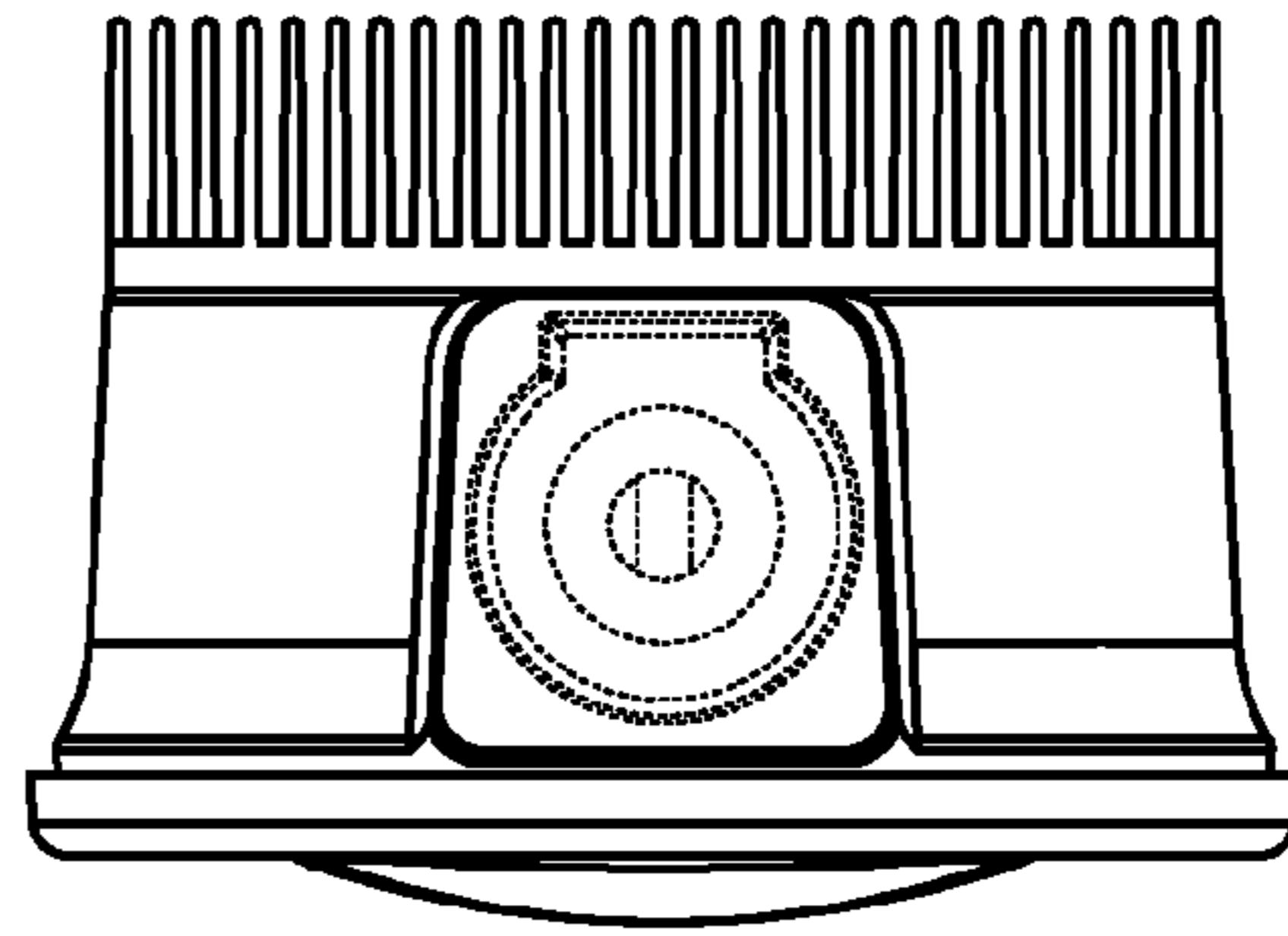


FIG. 4

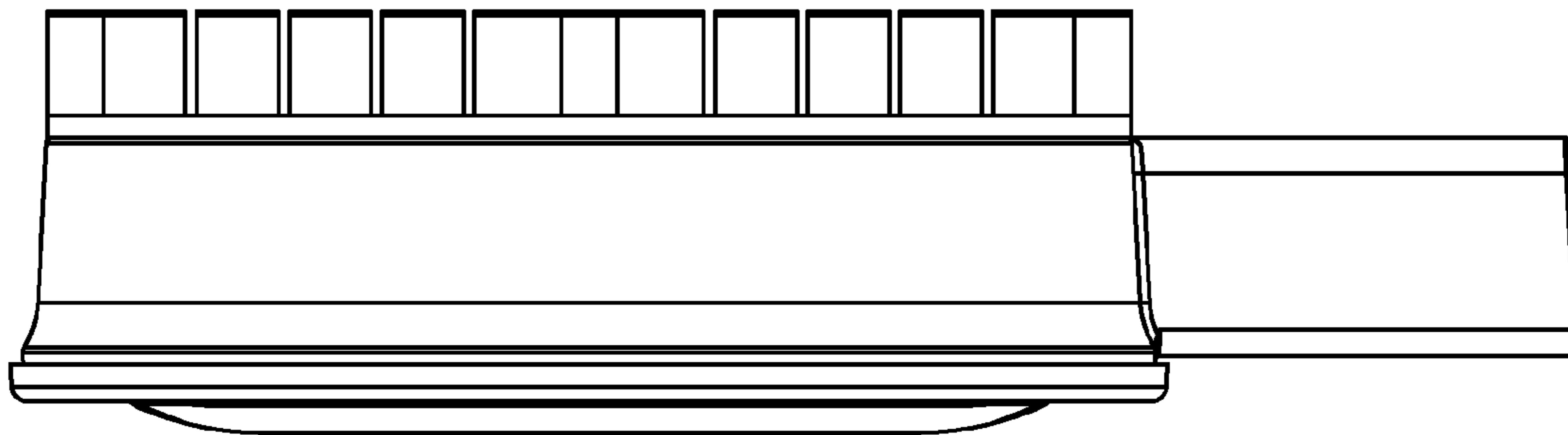


FIG. 5

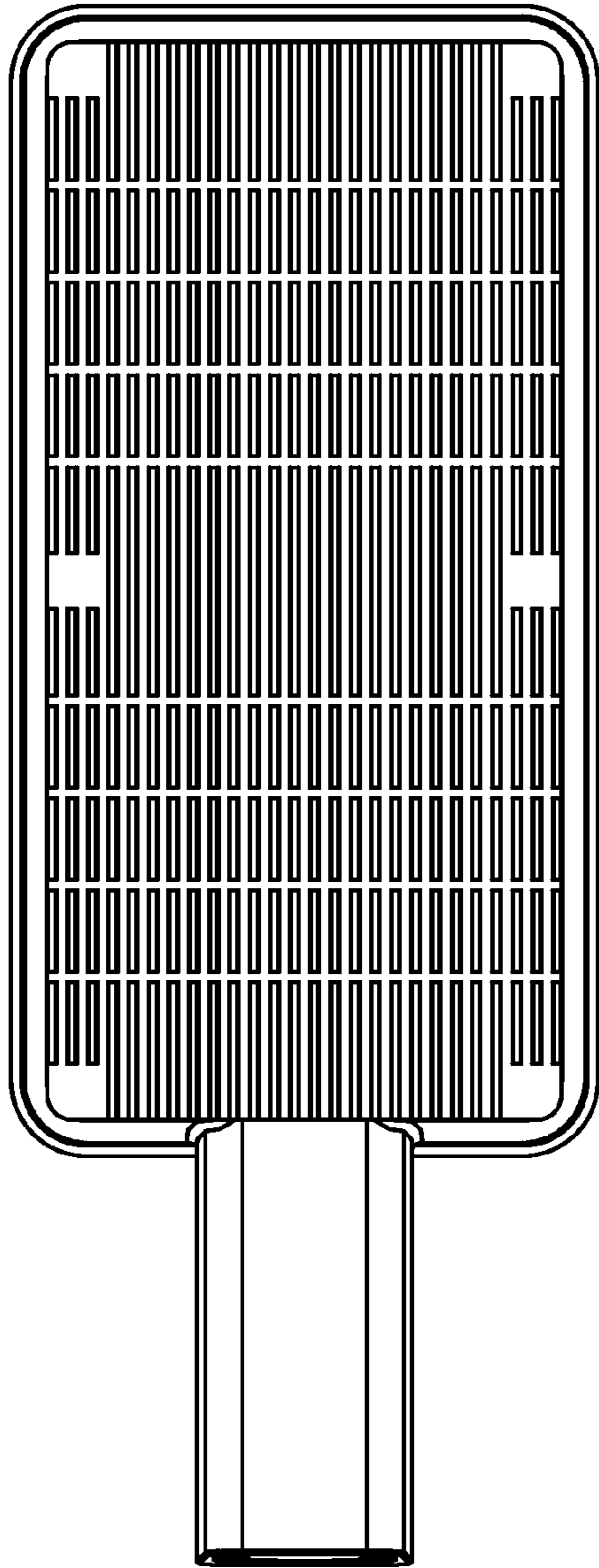


FIG. 6

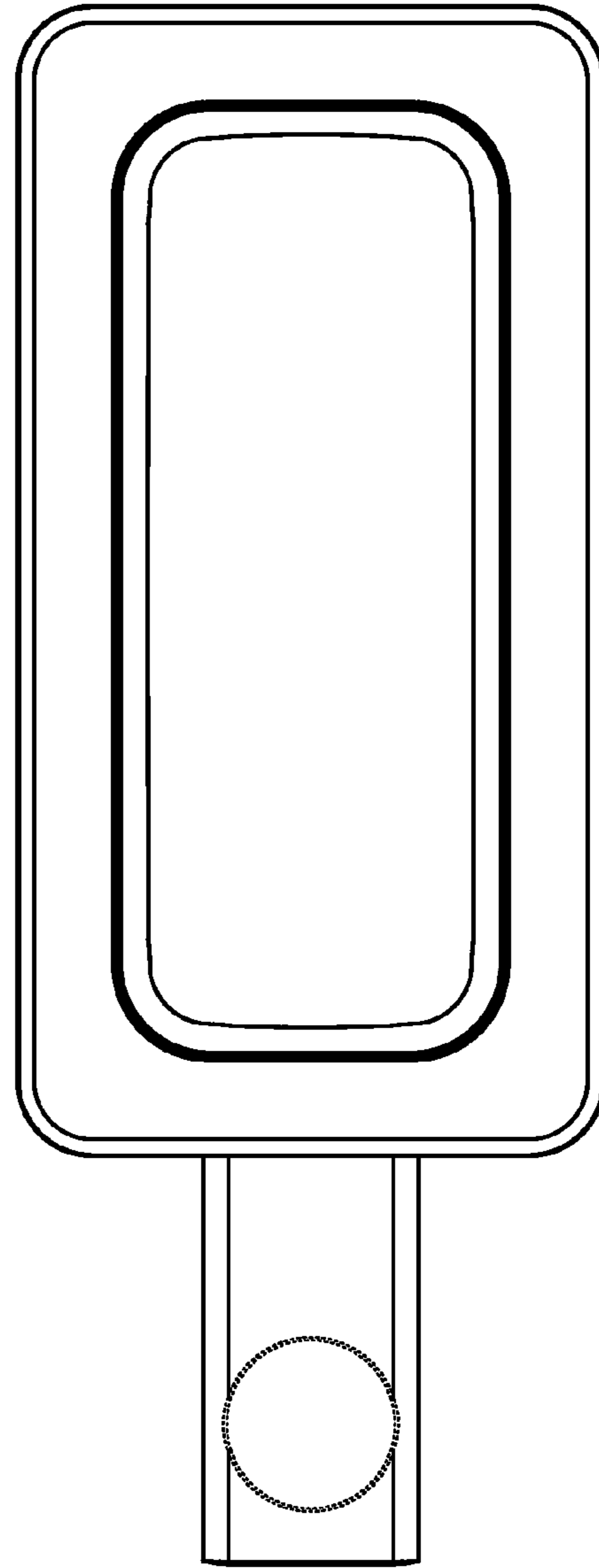


FIG. 7