



US00D643957S

(12) **United States Design Patent**
Verelst et al.

(10) **Patent No.:** **US D643,957 S**
(45) **Date of Patent:** **** Aug. 23, 2011**

(54) **LUMINAIRE**

(75) Inventors: **Dirk Verelst**, Boechout (BE); **Michael Steenhoudt**, Antwerp (BE)

(73) Assignee: **Koninklijke Philips Electronics N.V.**, Eindhoven (NL)

(**) Term: **14 Years**

(21) Appl. No.: **29/383,962**

(22) Filed: **Jan. 25, 2011**

(51) **LOC (9) Cl.** **26-05**

(52) **U.S. Cl.** **D26/65; D26/88**

(58) **Field of Classification Search** D26/61,
D26/63, 65, 68, 79, 83-92, 128; 362/147,
362/404-408, 418, 427

See application file for complete search history.

(56) **References Cited**

U.S. PATENT DOCUMENTS

640,585	A *	1/1900	Palmer	362/232
1,090,795	A *	3/1914	Schoenhardt	362/355
D51,865	S *	3/1918	McKinnie	D26/88
D51,983	S *	4/1918	Guth	D26/88
D53,975	S *	11/1919	Adam	D26/90

D54,510	S *	2/1920	Owen	D26/88
D54,511	S *	2/1920	Owen	D26/88
1,373,845	A *	4/1921	Tillson	362/307
D157,548	S *	2/1950	Versen	D26/65
D163,119	S *	5/1951	Julien et al.	D26/86
2,896,066	A *	7/1959	Quetin	362/33
3,459,935	A *	8/1969	Bruner	362/270
4,037,098	A *	7/1977	Kowalski	362/418
5,556,195	A *	9/1996	Glebe	362/386
D432,695	S *	10/2000	Chen	D26/65
6,390,649	B1 *	5/2002	Tang	362/285
7,322,735	B1 *	1/2008	Caldani	362/648
D596,337	S *	7/2009	Sabernig	D26/88

* cited by examiner

Primary Examiner — Clare E Heflin

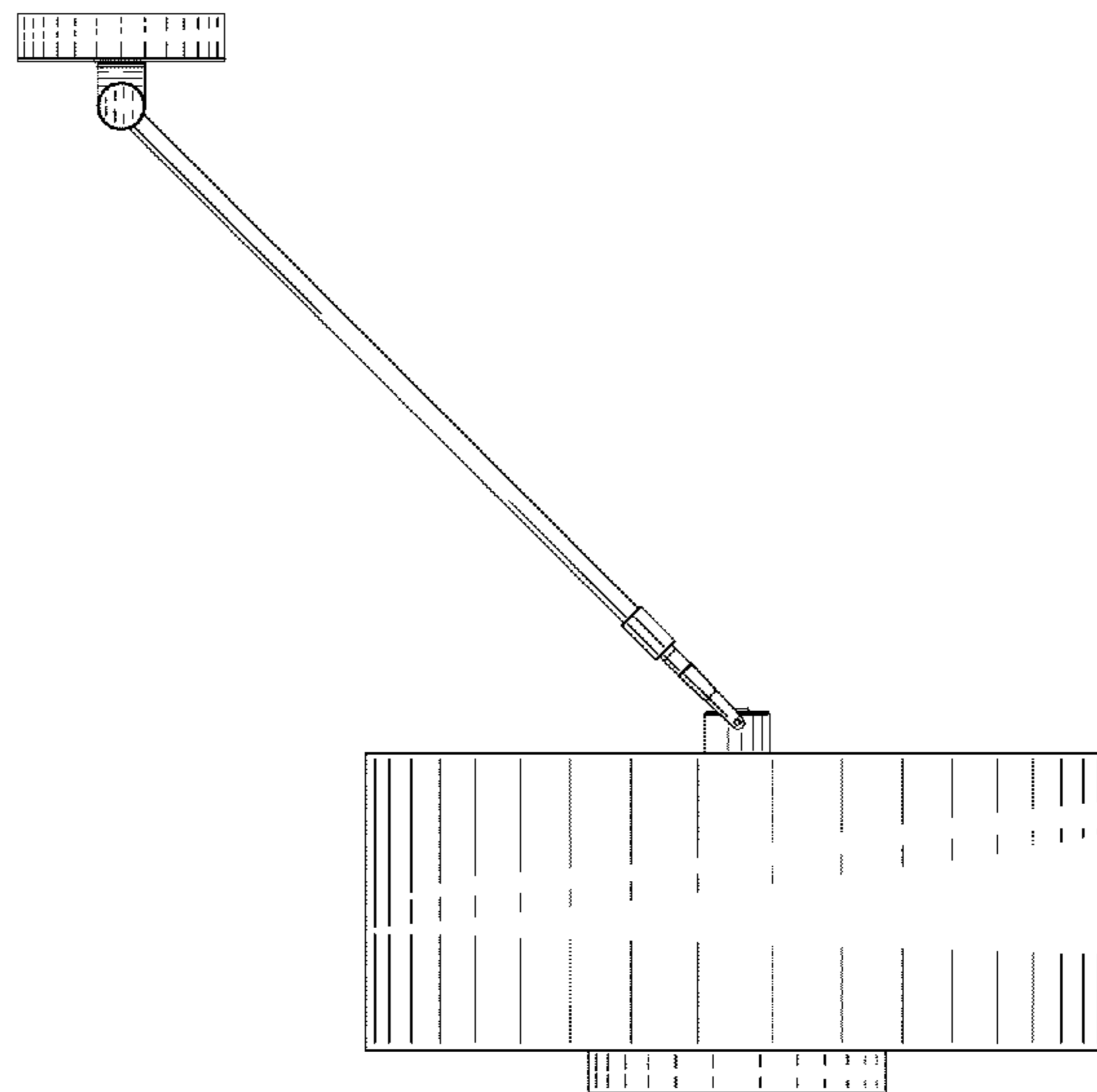
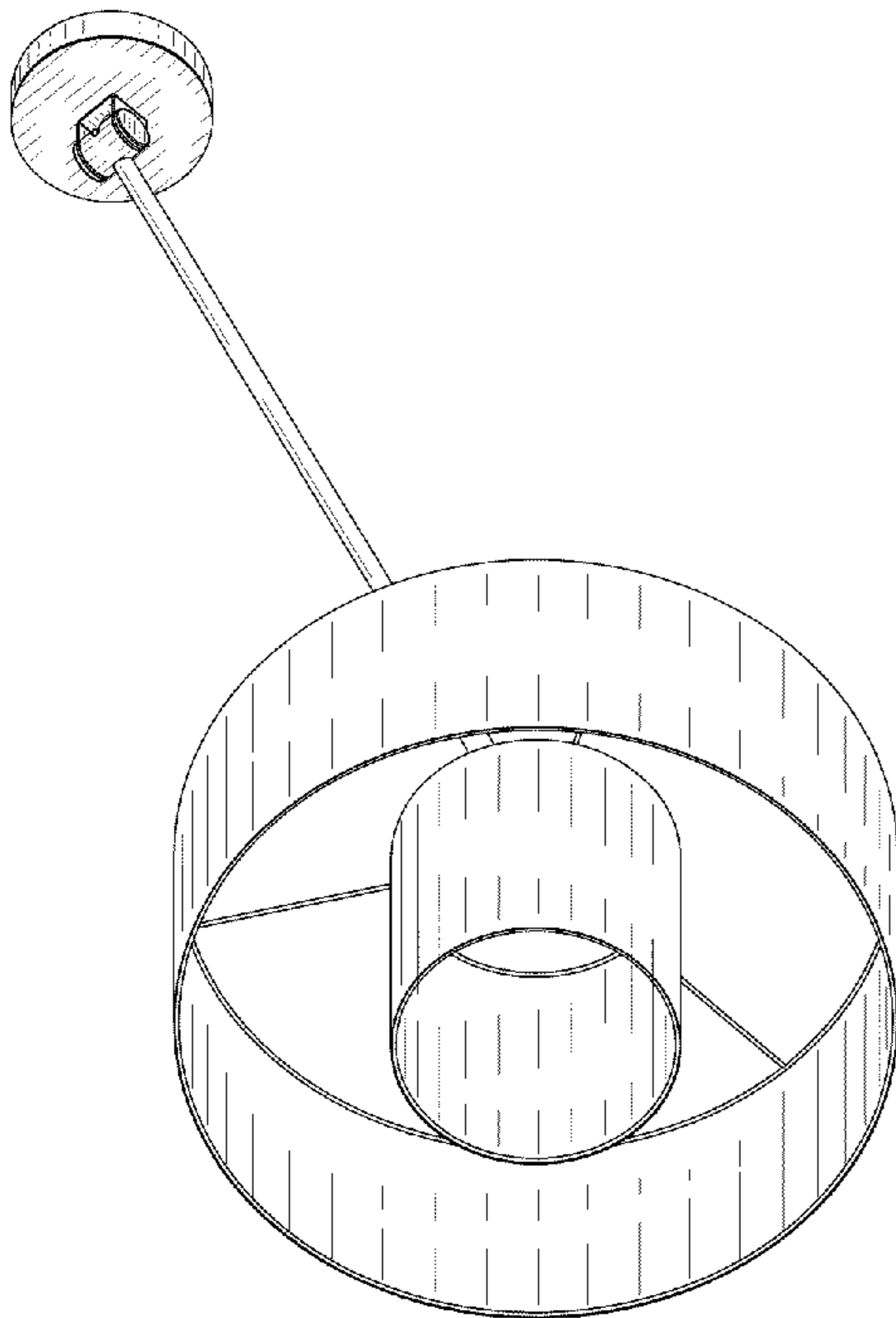
(57) **CLAIM**

The ornamental design for a luminaire, as shown.

DESCRIPTION

FIG. 1 is a perspective view showing my design;
FIG. 2 is a front elevational view thereof;
FIG. 3 is a rear elevational view thereof;
FIG. 4 is a right side elevational view thereof;
FIG. 5 is a left side elevational view thereof;
FIG. 6 is a top plan view thereof; and,
FIG. 7 is a bottom plan view thereof.

1 Claim, 6 Drawing Sheets



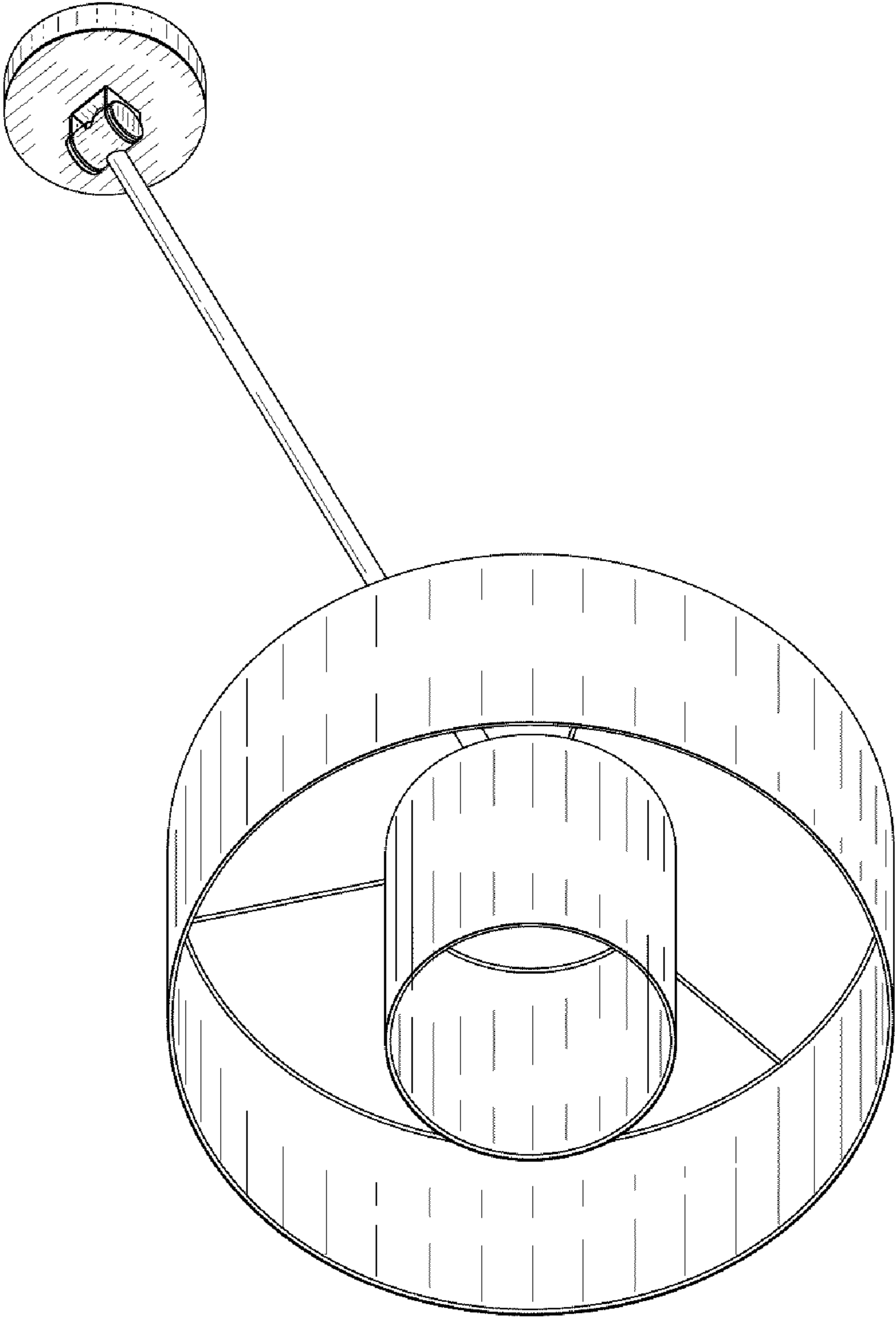


FIG. 1

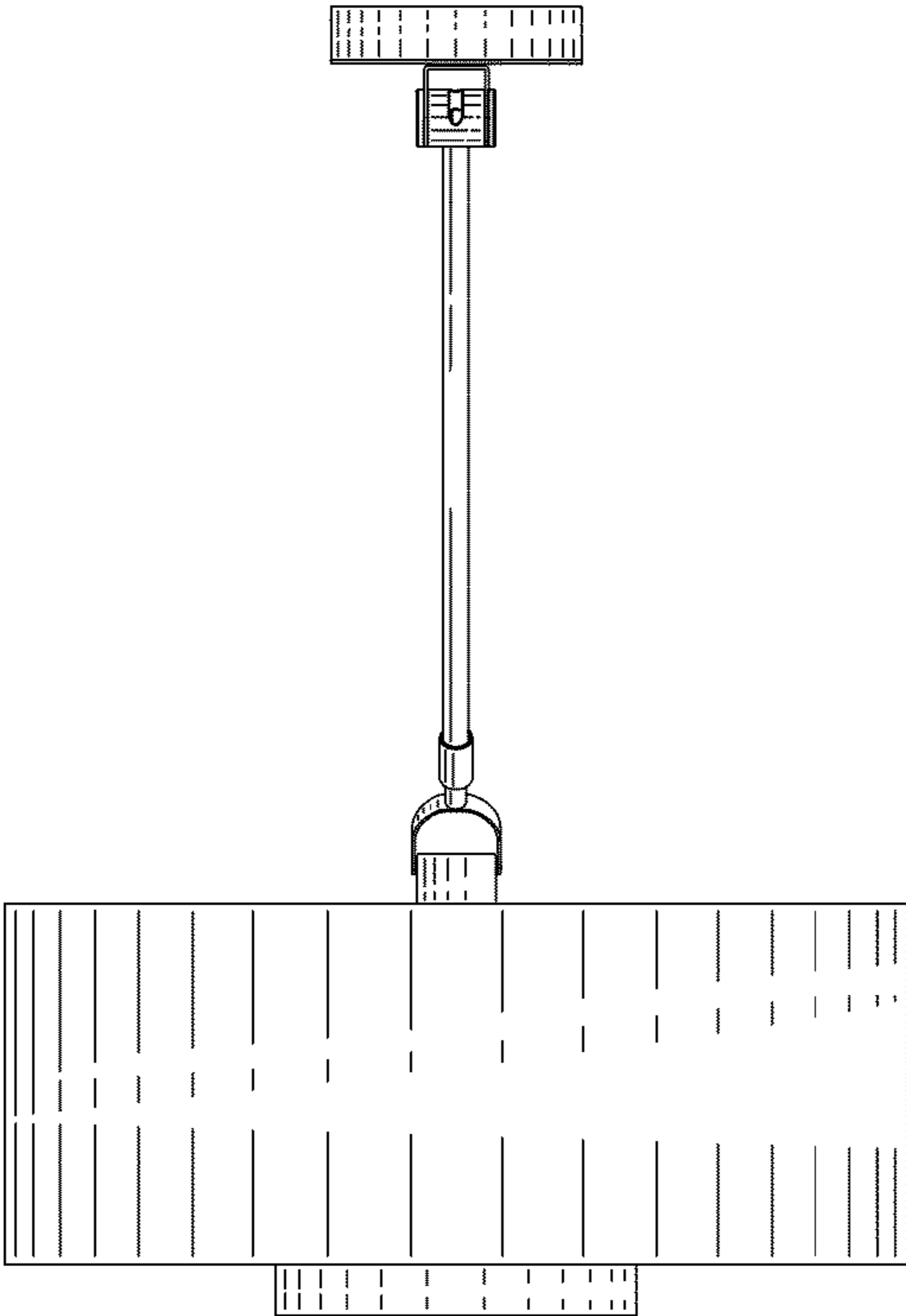


FIG. 2

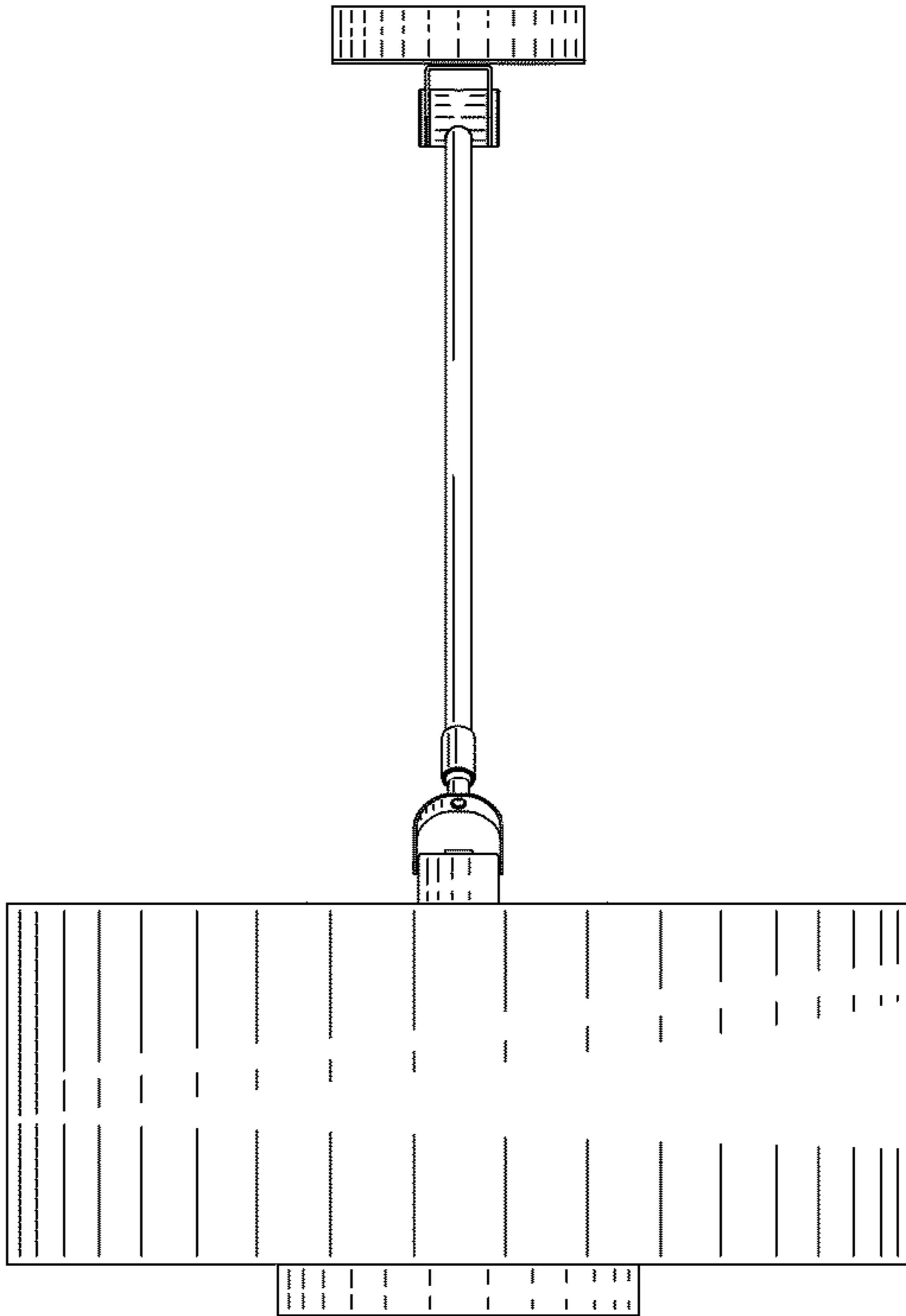


FIG. 3

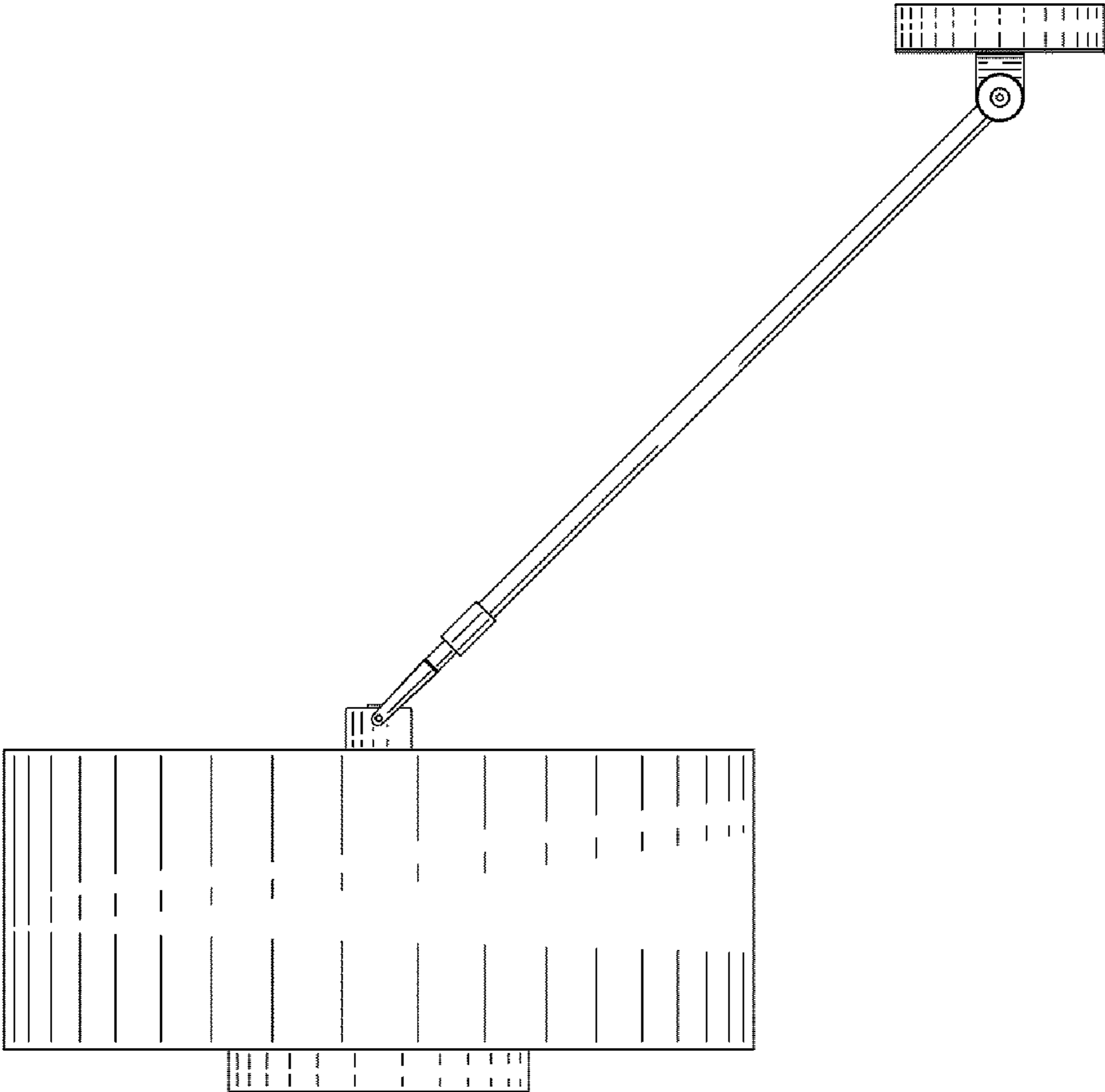


FIG. 4

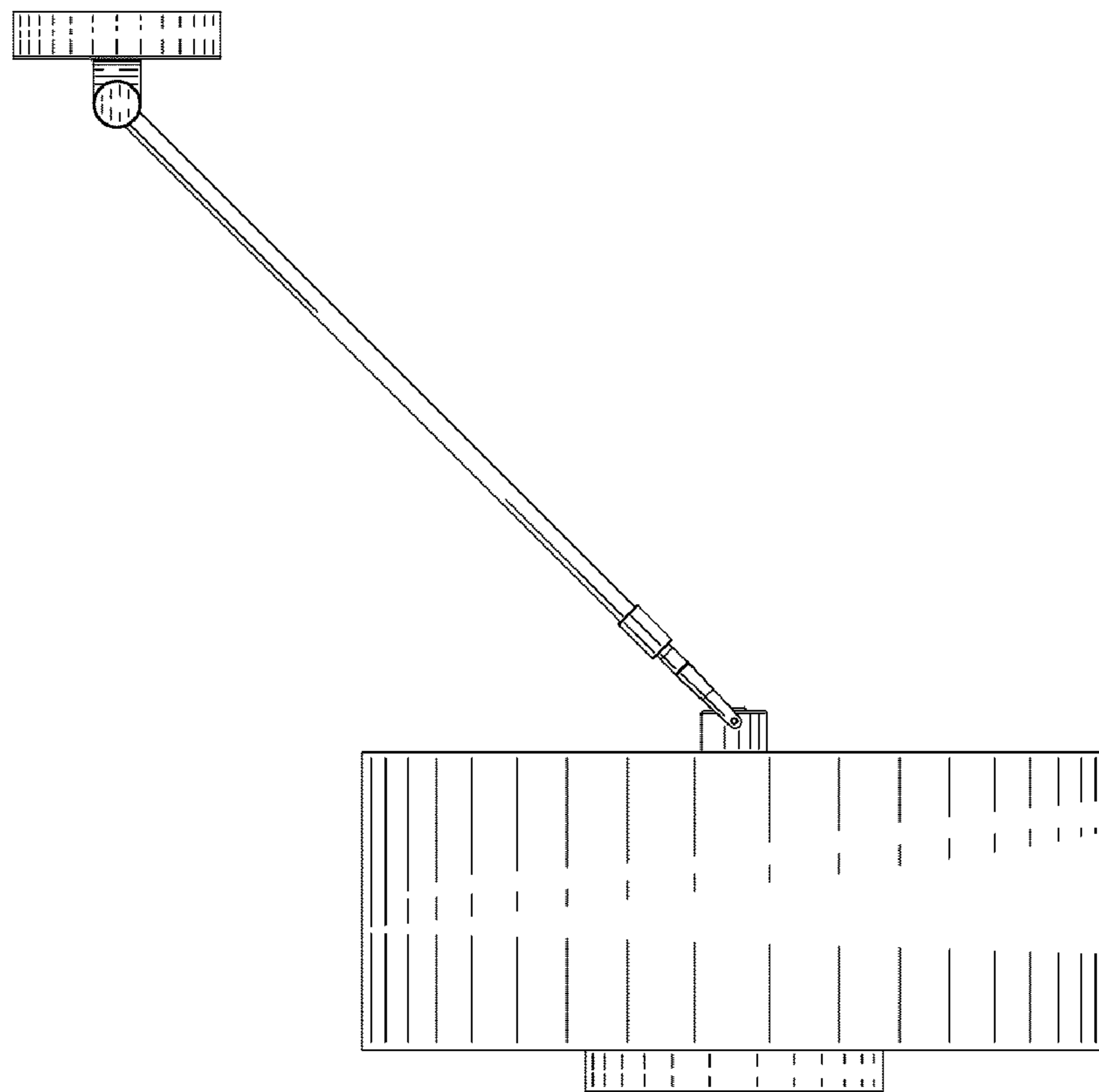


FIG. 5

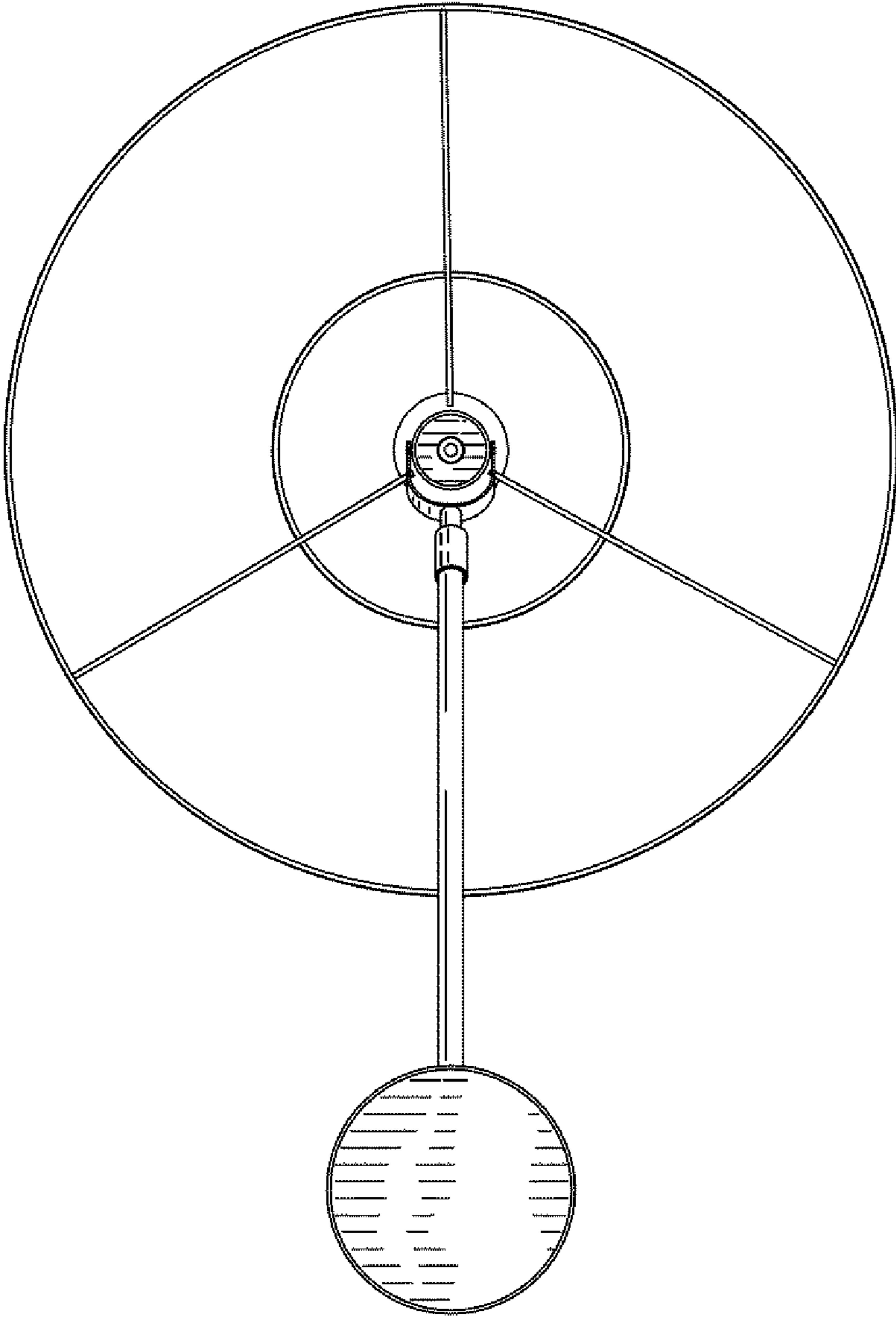


FIG. 6

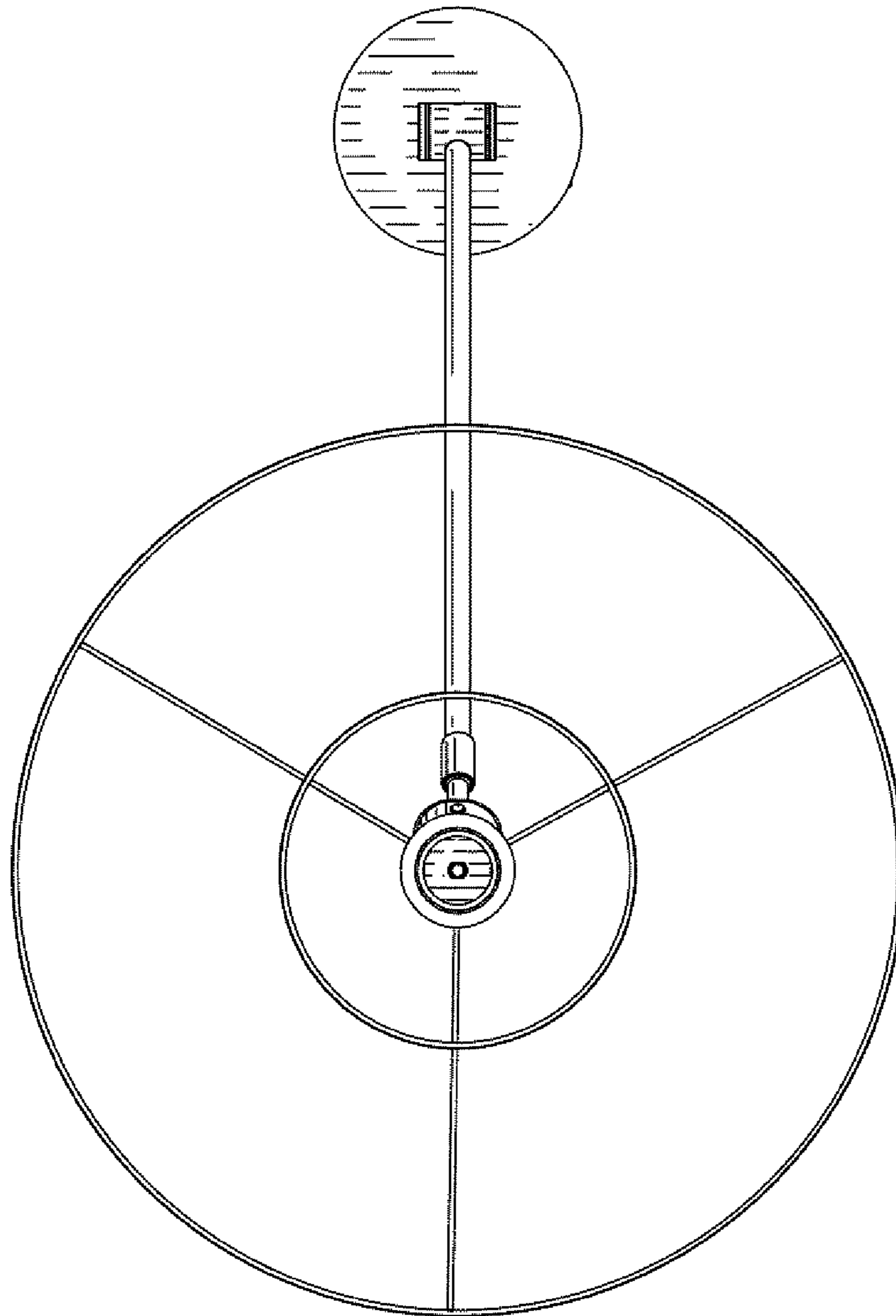


FIG.7