



US00D643956S

(12) **United States Design Patent**  
**Bertken**

(10) **Patent No.:** **US D643,956 S**

(45) **Date of Patent:** **\*\* Aug. 23, 2011**

(54) **FLASHLIGHT**

(75) Inventor: **Dennis Bertken**, Solana Beach, CA  
(US)

(73) Assignee: **Life+Gear, Inc.**, Del Mar, CA (US)

(\*\*) Term: **14 Years**

(21) Appl. No.: **29/378,607**

(22) Filed: **Nov. 5, 2010**

(51) **LOC (9) Cl.** ..... **26-02**

(52) **U.S. Cl.** ..... **D26/49; D26/42**

(58) **Field of Classification Search** ..... D26/37,  
D26/38, 46, 49, 50, 48, 42; 362/157, 158,  
362/183, 194-199, 202-208

See application file for complete search history.

(56) **References Cited**

U.S. PATENT DOCUMENTS

D188,288 S *	6/1960	Hansen et al.	.....	D26/49
D301,631 S *	6/1989	Leung	.....	D26/42
D360,045 S *	7/1995	Inukai	.....	D26/49
D467,376 S *	12/2002	Yamamoto et al.	.....	D26/49
D470,960 S *	2/2003	Kung	.....	D26/42
D472,006 S *	3/2003	Fritz	.....	D26/49

D474,555 S *	5/2003	Sieckowski et al.	.....	D26/49
D577,845 S *	9/2008	Shiu	.....	D26/49
D596,772 S *	7/2009	Chang	.....	D26/49
D616,583 S *	5/2010	Bertken	.....	D26/49
D629,541 S *	12/2010	Riley	.....	D26/49
2010/0085744 A1 *	4/2010	Bertken	.....	362/184

\* cited by examiner

*Primary Examiner* — Ian Simmons

*Assistant Examiner* — Carissa C Fitts

(74) *Attorney, Agent, or Firm* — Marger Johnson & McCollom, P.C.

(57) **CLAIM**

The ornamental design for a flashlight, as shown and described.

**DESCRIPTION**

FIG. 1 is a perspective view of the flashlight according to the present design;

FIG. 2 is a right side elevation view of the design of FIG. 1, the left side being a mirror image thereof;

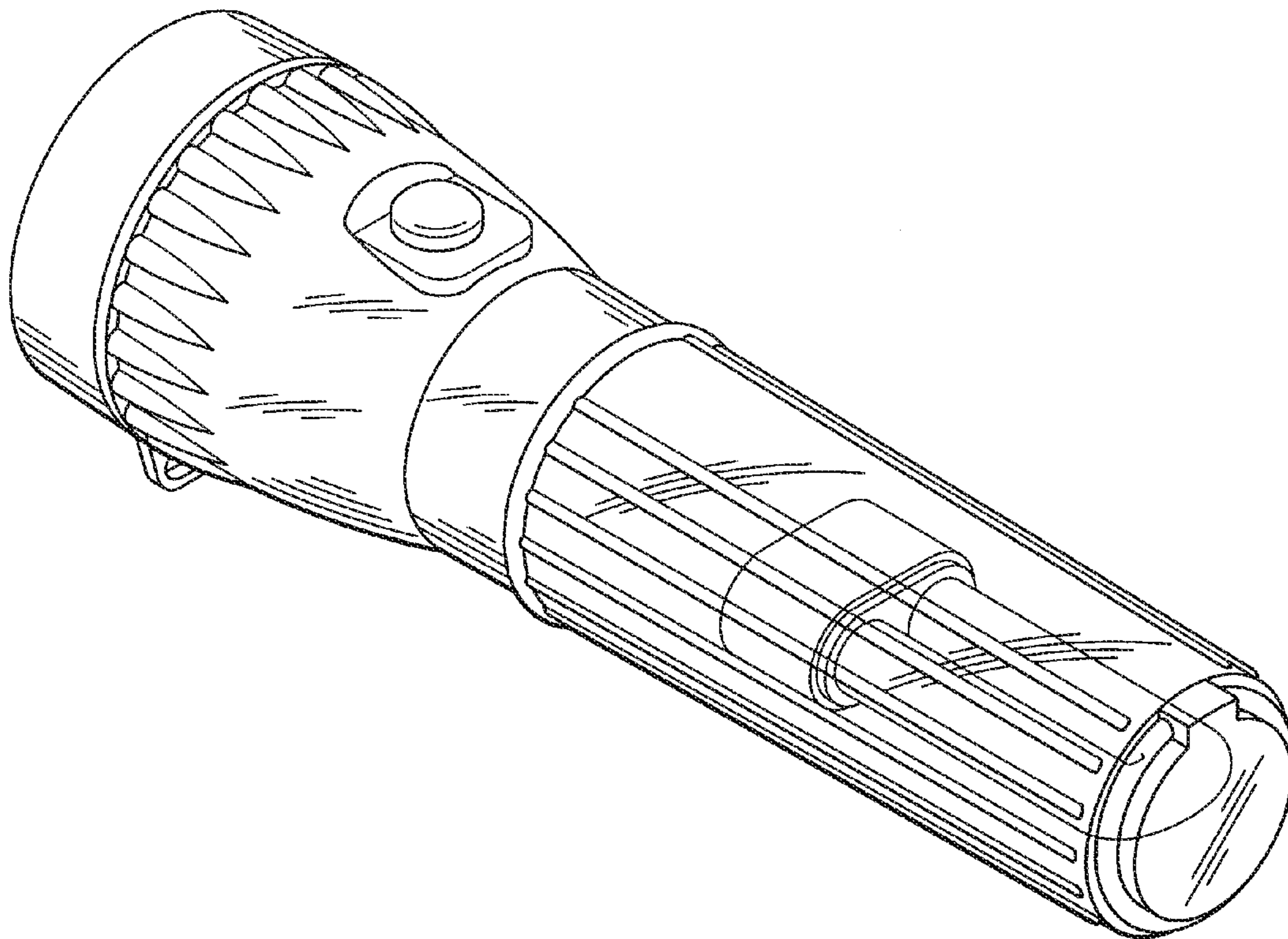
FIG. 3 is a top plan view of the design of FIG. 1;

FIG. 4 is a bottom plan view of the design of FIG. 1;

FIG. 5 is a front elevation view of the design of FIG. 1; and,

FIG. 6 is a rear elevation view of the design of FIG. 1.

**1 Claim, 2 Drawing Sheets**



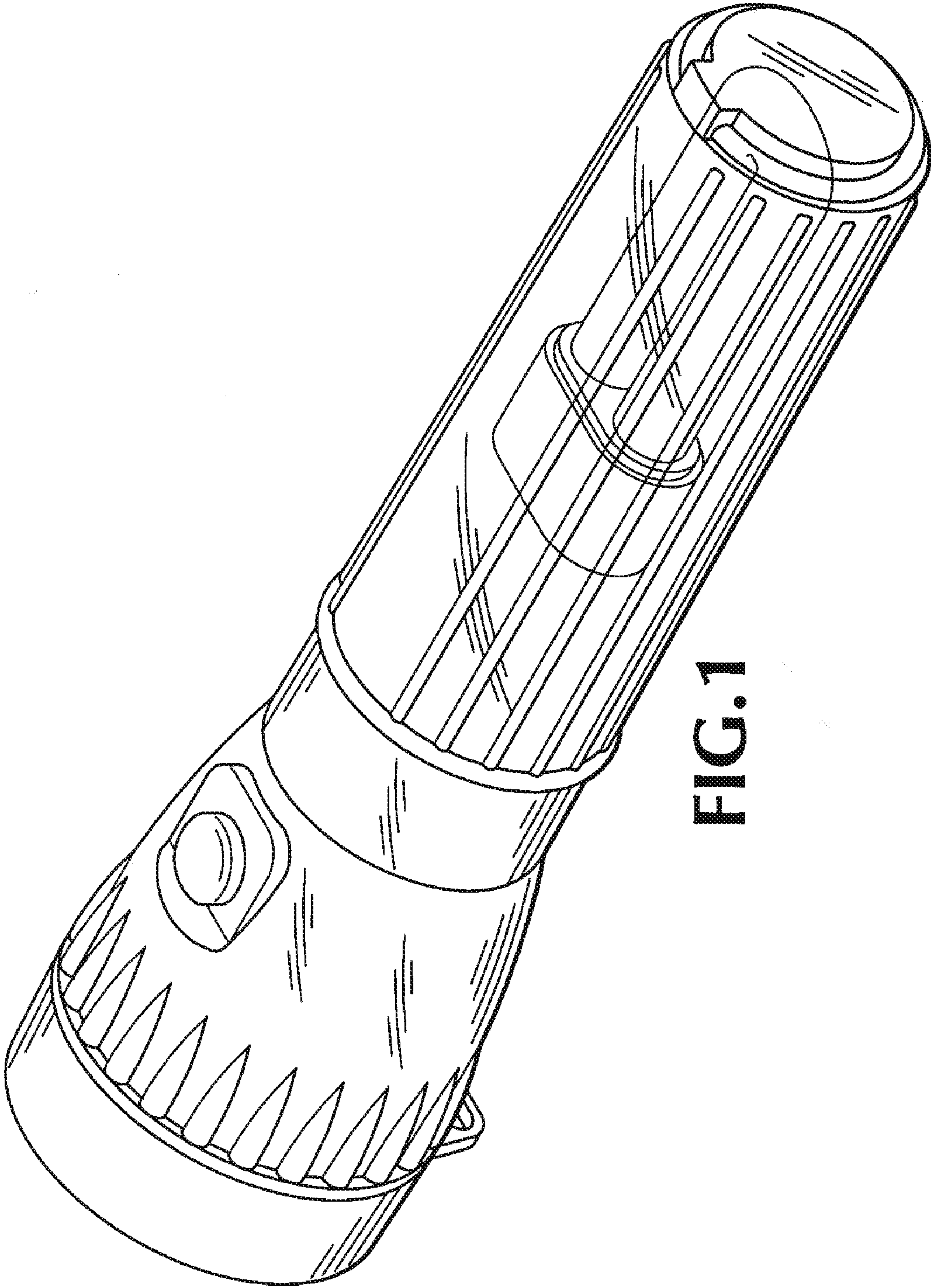
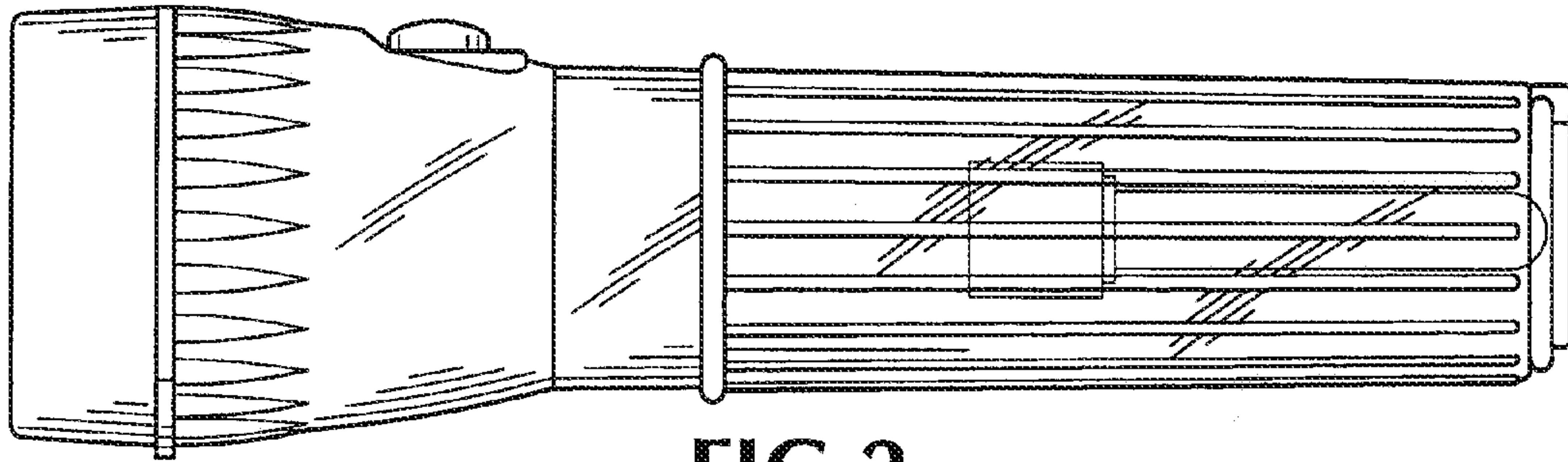
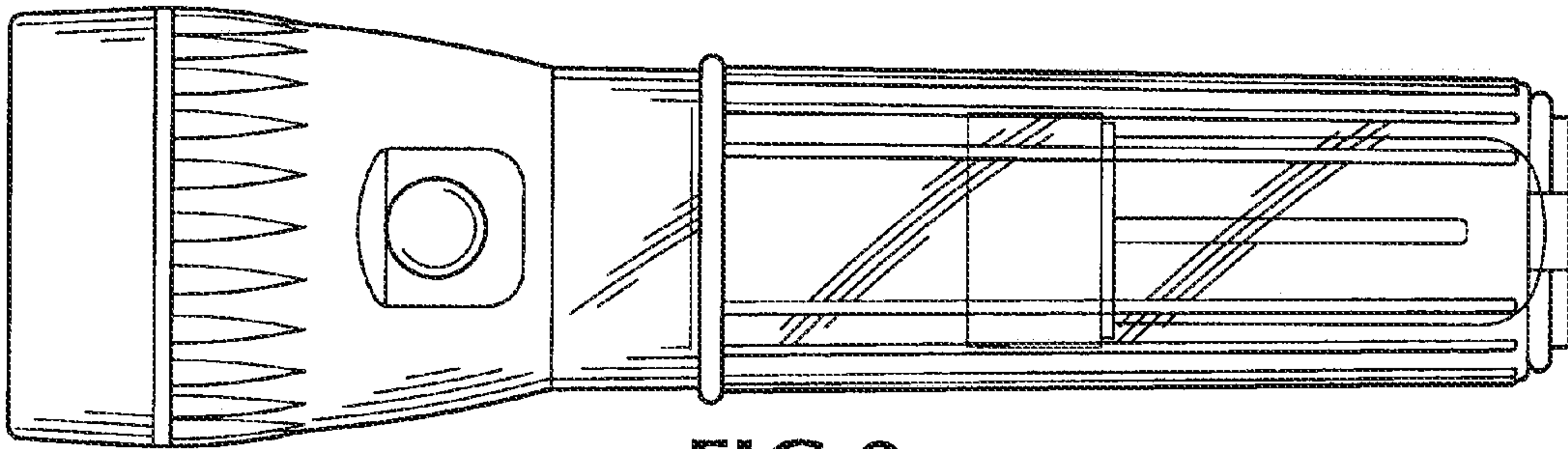


FIG. 1

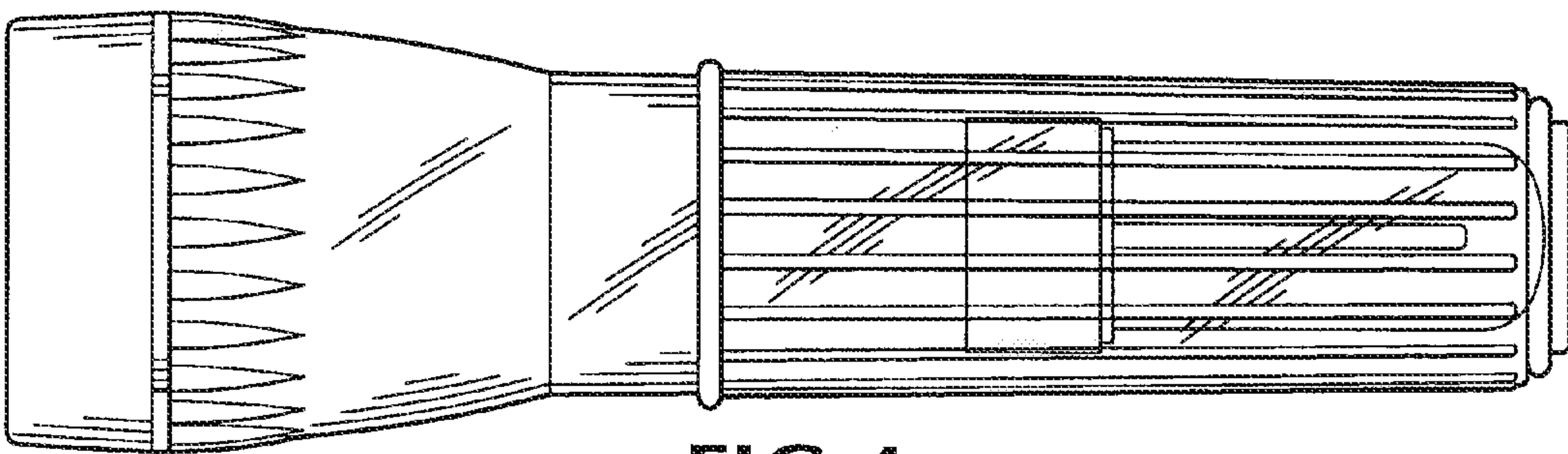




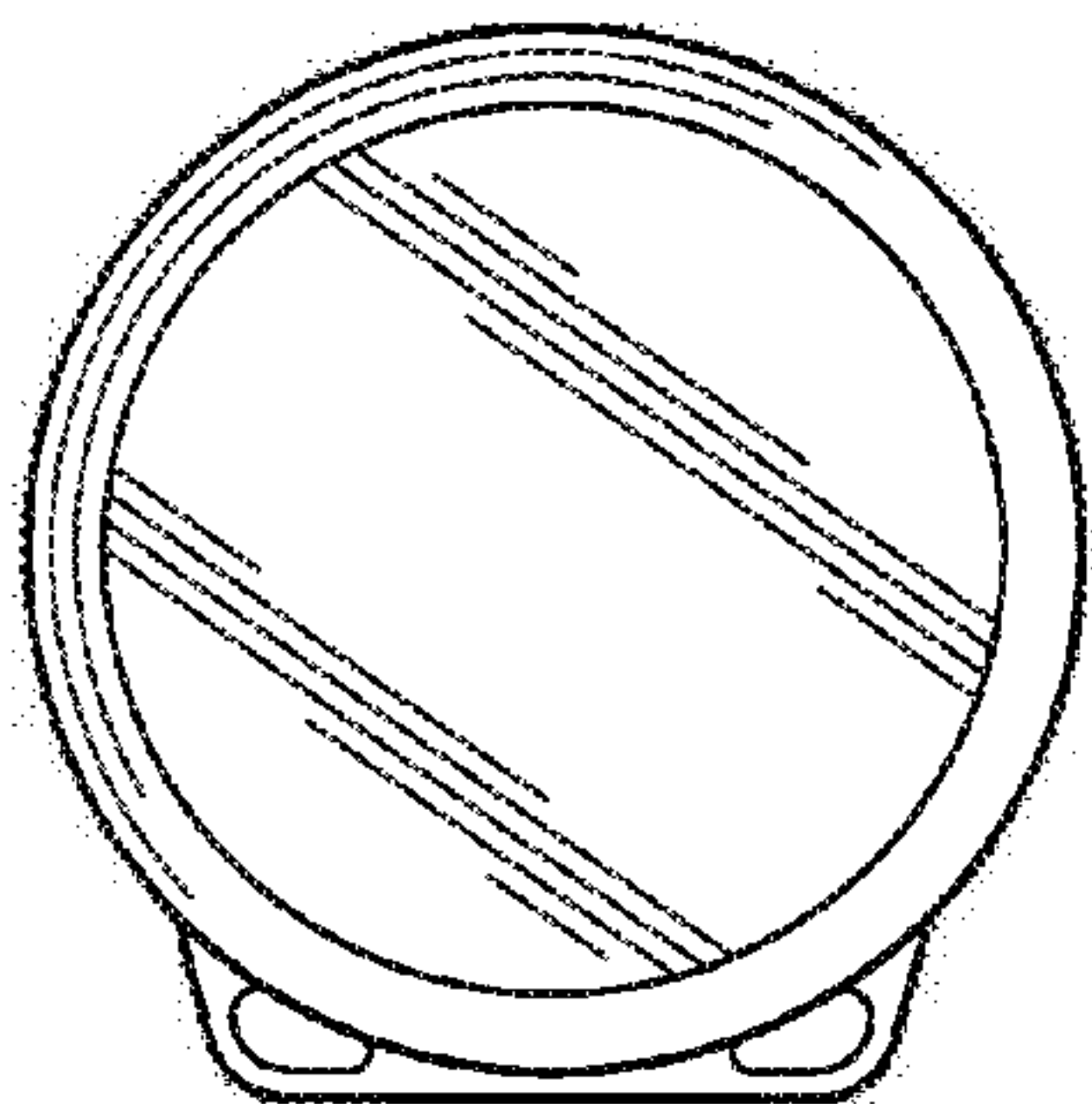
**FIG. 2**



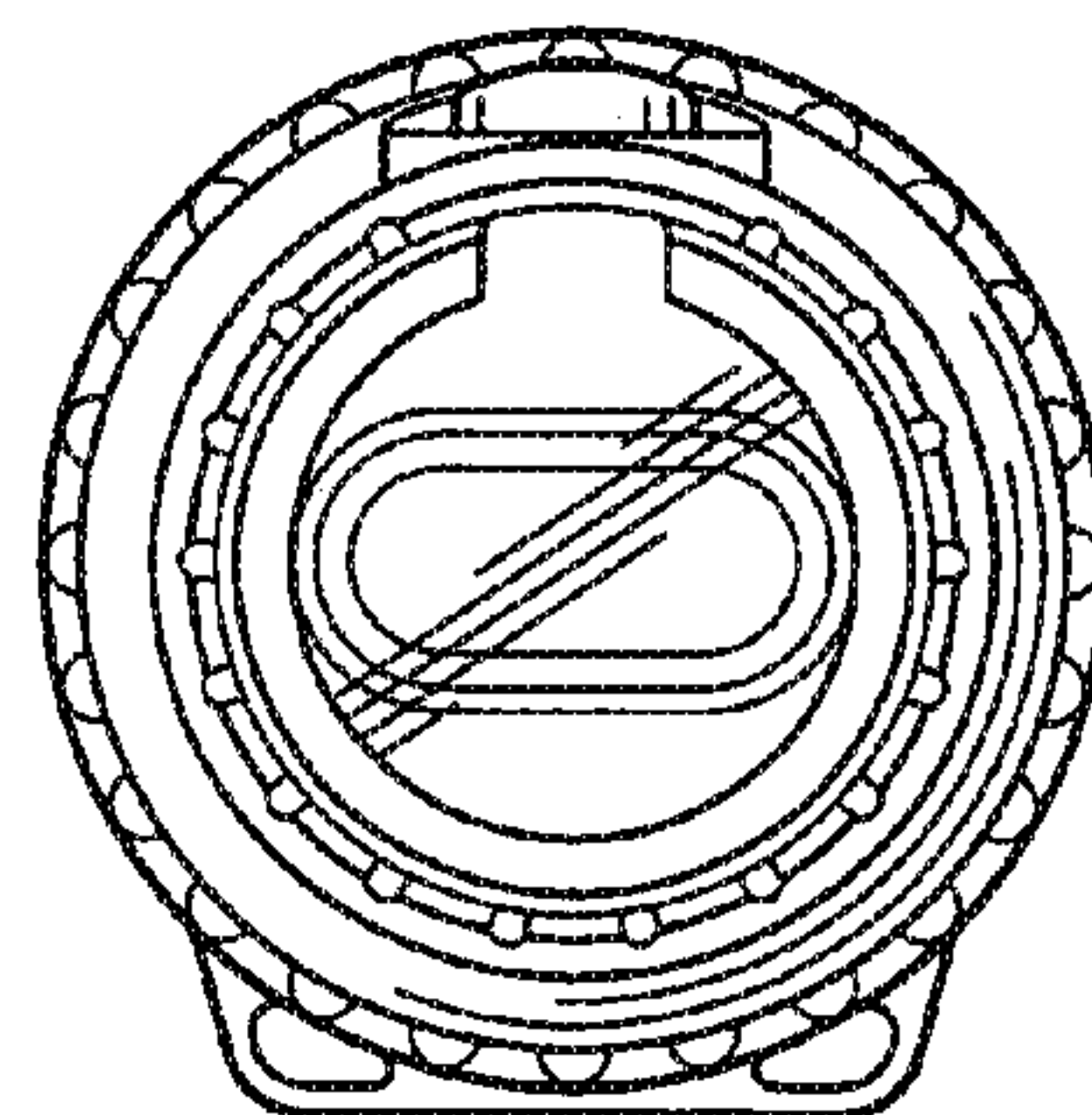
**FIG. 3**



**FIG. 4**



**FIG. 5**



**FIG. 6**