



US00D643955S

(12) **United States Design Patent**
Tsai et al.

(10) **Patent No.:** **US D643,955 S**

(45) **Date of Patent:** **** Aug. 23, 2011**

(54) **LED HEADLAMP**

(75) Inventors: **Hsi-Hsien Tsai**, Tainan (TW); **Chih-Pin Shen**, Kaohsiung (TW)

(73) Assignee: **Lucidity Enterprise Co., Ltd.**, Annan District, Tainan (TW)

(**) Term: **14 Years**

(21) Appl. No.: **29/379,077**

(22) Filed: **Nov. 15, 2010**

(51) **LOC (9) Cl.** **26-06**

(52) **U.S. Cl.** **D26/28**

(58) **Field of Classification Search** D26/28-36;
362/459-468, 475-478, 485-487
See application file for complete search history.

(56) **References Cited**

U.S. PATENT DOCUMENTS

D570,007 S * 5/2008 Hsu D26/28
D582,587 S * 12/2008 Yang D26/28

D591,880 S * 5/2009 Futschik et al. D26/28
D592,335 S * 5/2009 Hsu D26/28
D592,779 S * 5/2009 Svensson D26/28
D593,232 S * 5/2009 Koman et al. D26/28
D619,278 S * 7/2010 Choi et al. D26/28

* cited by examiner

Primary Examiner — Marcus Jackson

(57) **CLAIM**

The ornamental design for a LED headlamp, as shown and described.

DESCRIPTION

FIG. 1 is a perspective view of a LED headlamp showing my design;

FIG. 2 is a front elevational view thereof;

FIG. 3 is a rear elevational view thereof;

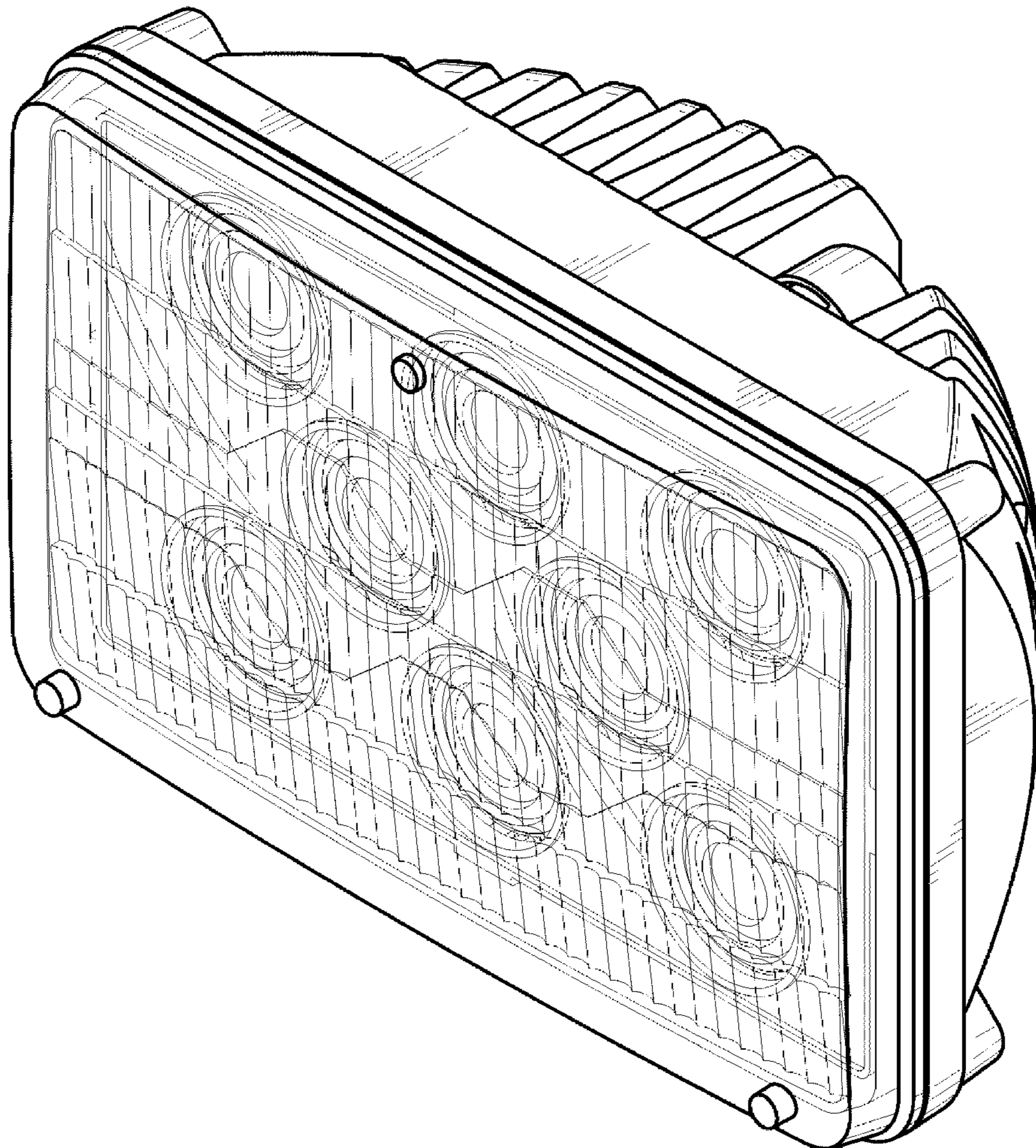
FIG. 4 is a left side elevational view thereof;

FIG. 5 is a right side elevational view thereof;

FIG. 6 is a top plan view thereof; and,

FIG. 7 is a bottom plan view thereof.

1 Claim, 7 Drawing Sheets



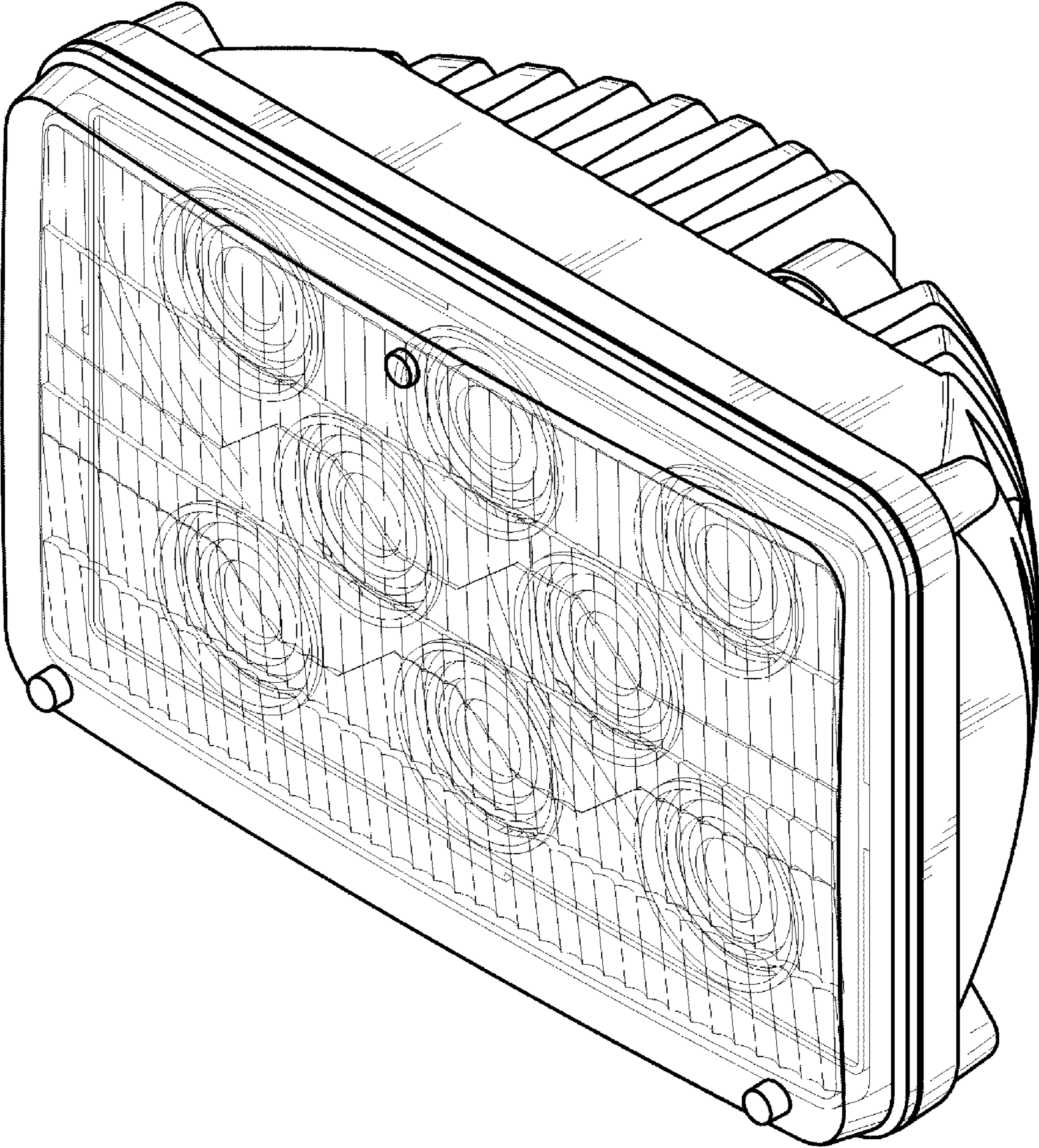


FIG. 1

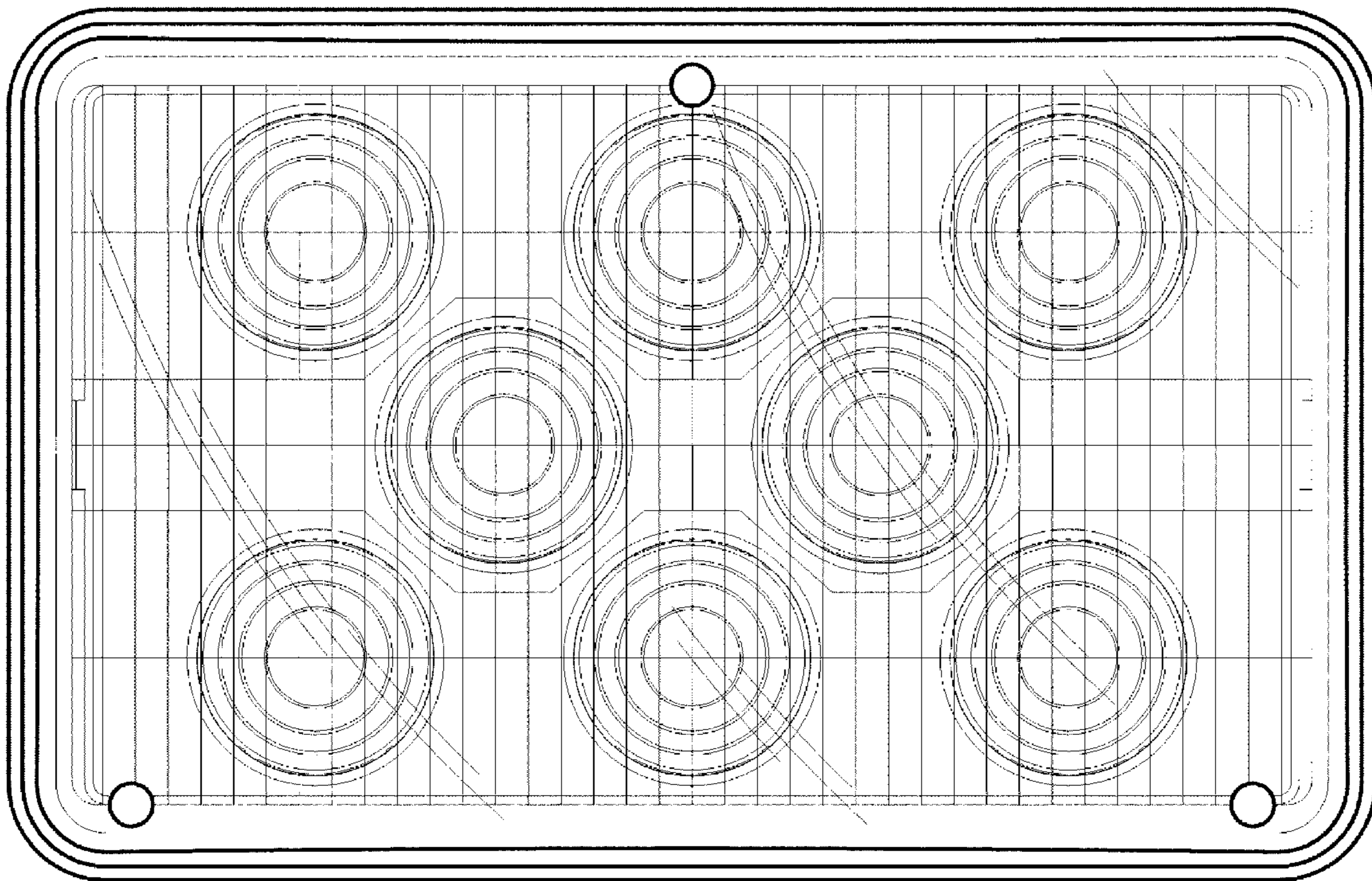


FIG.2

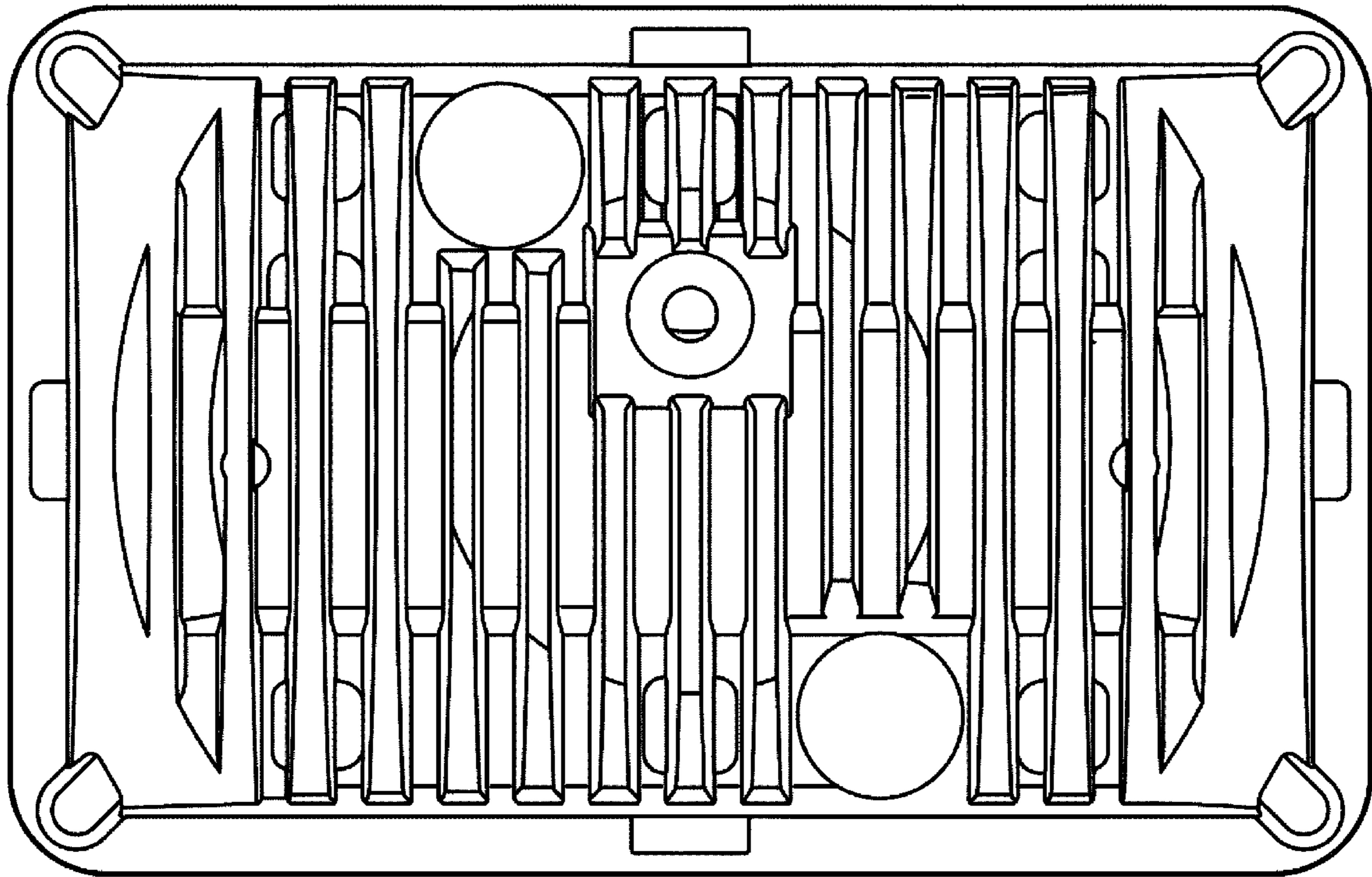


FIG.3

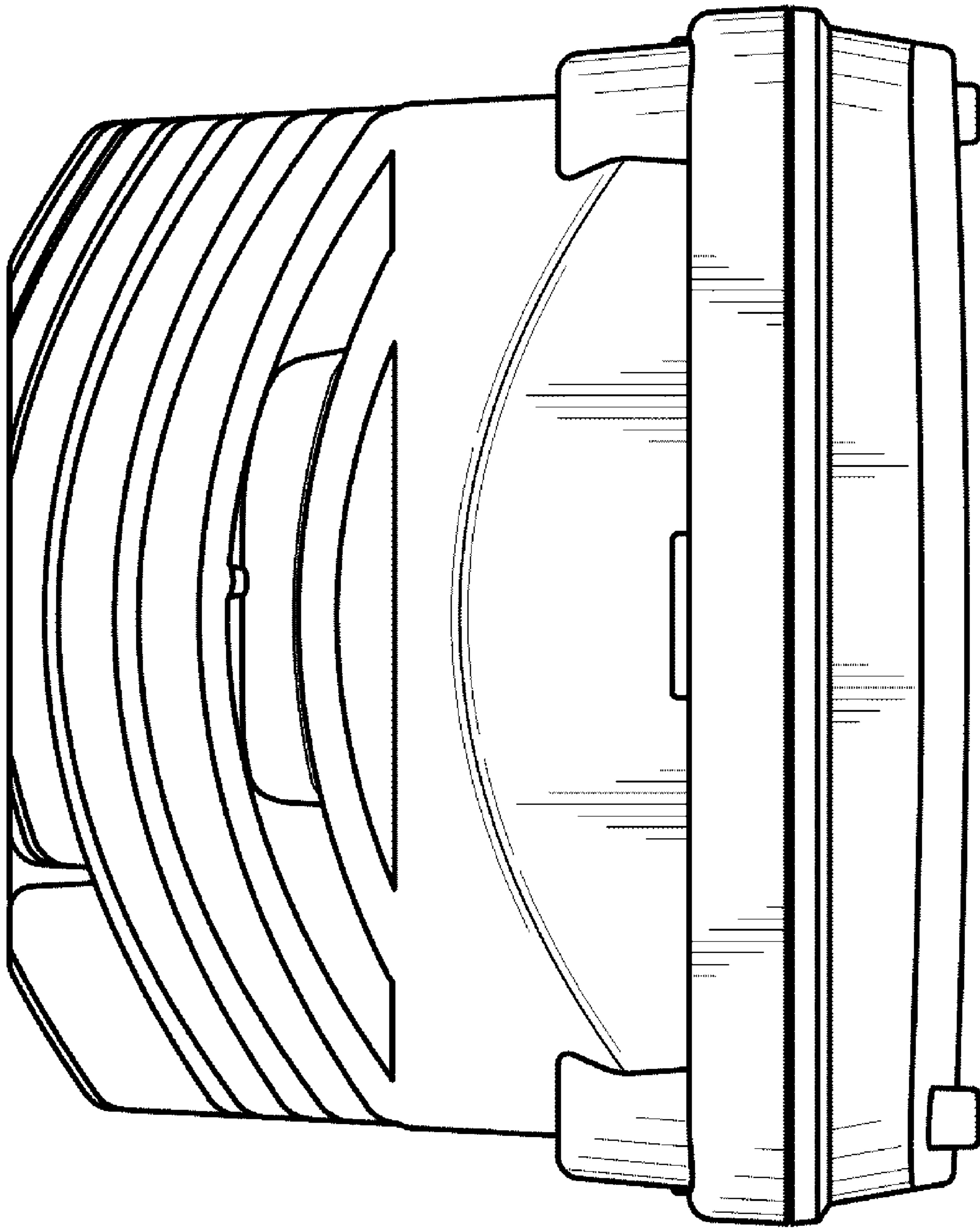


FIG.4

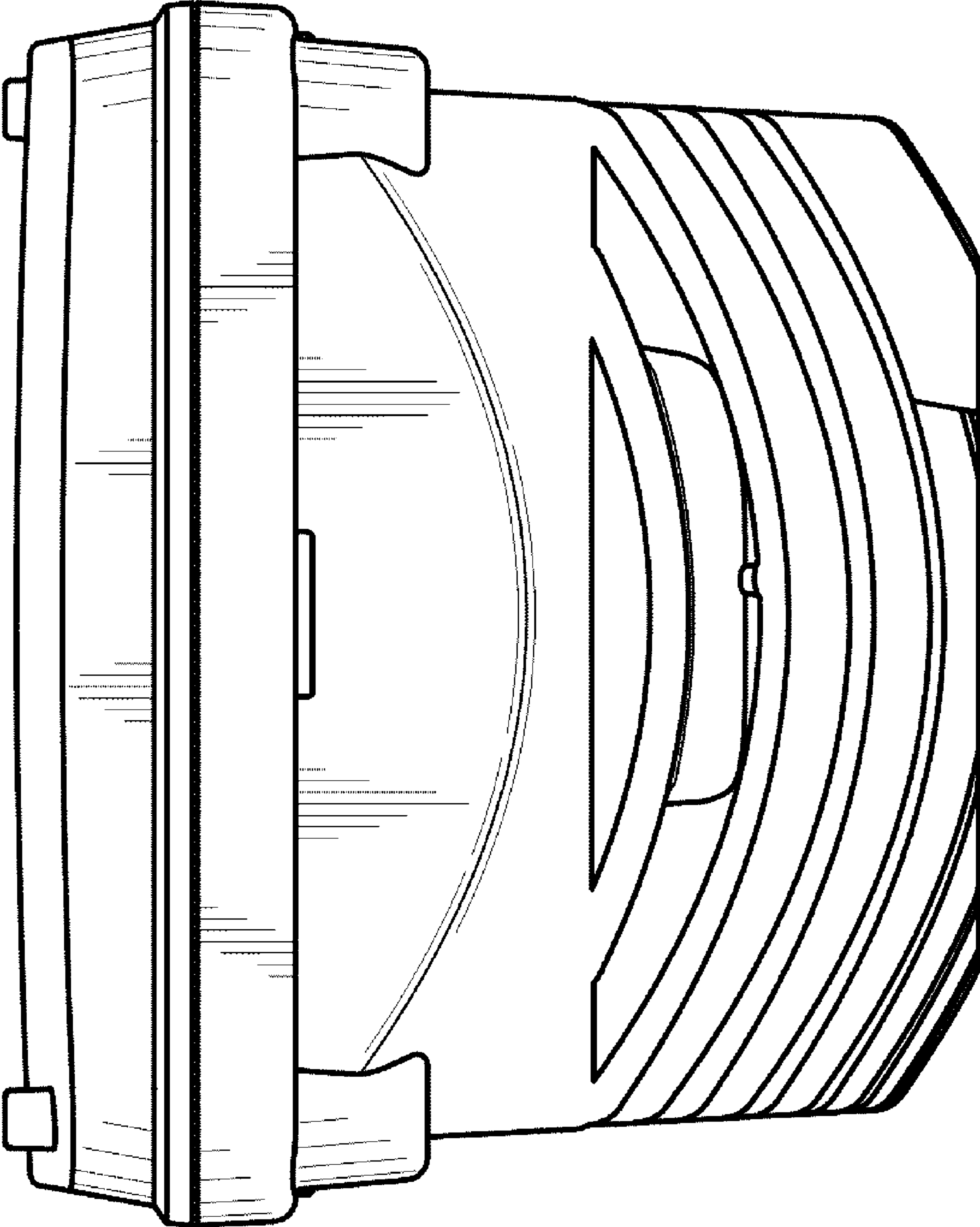


FIG. 5

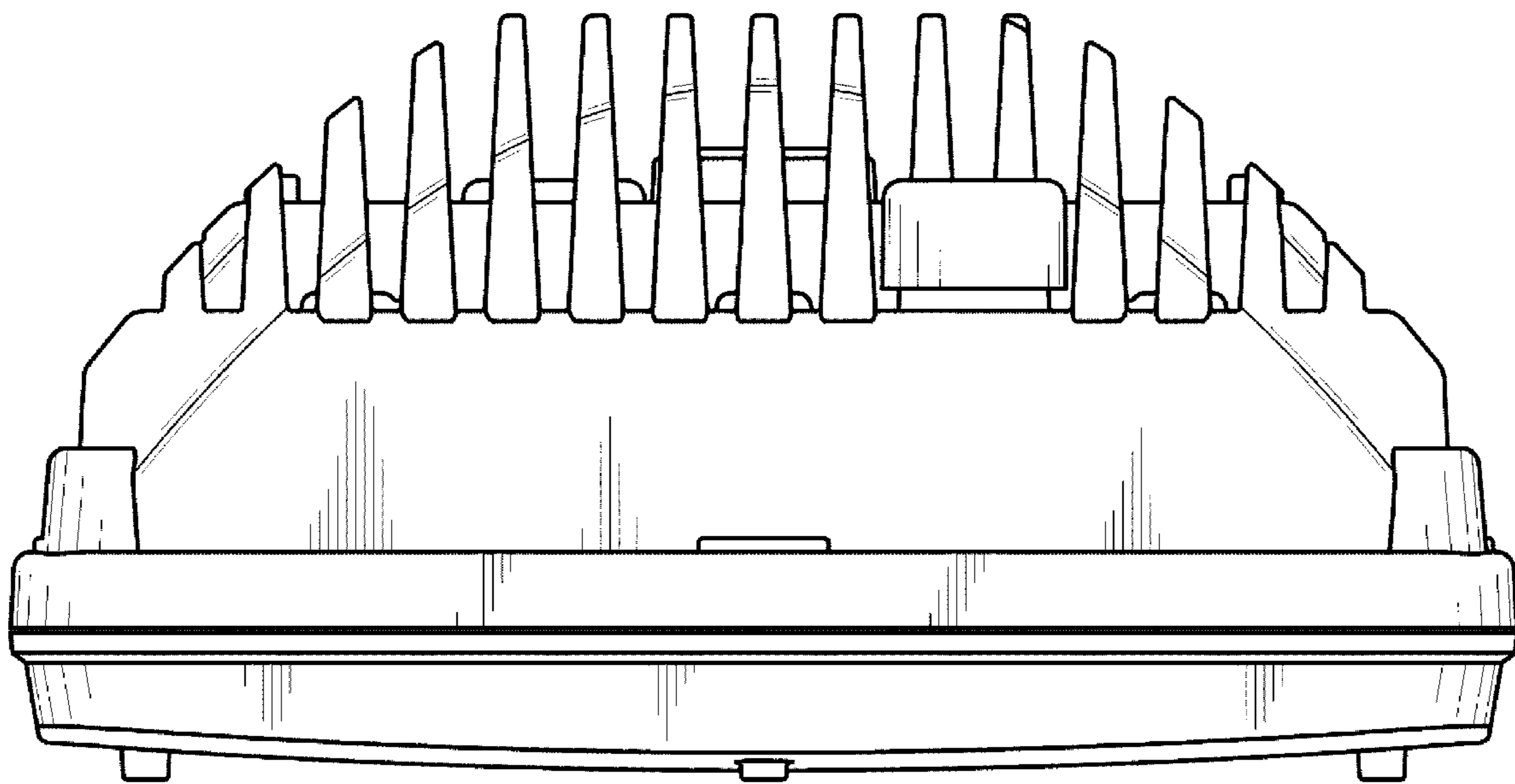


FIG.6

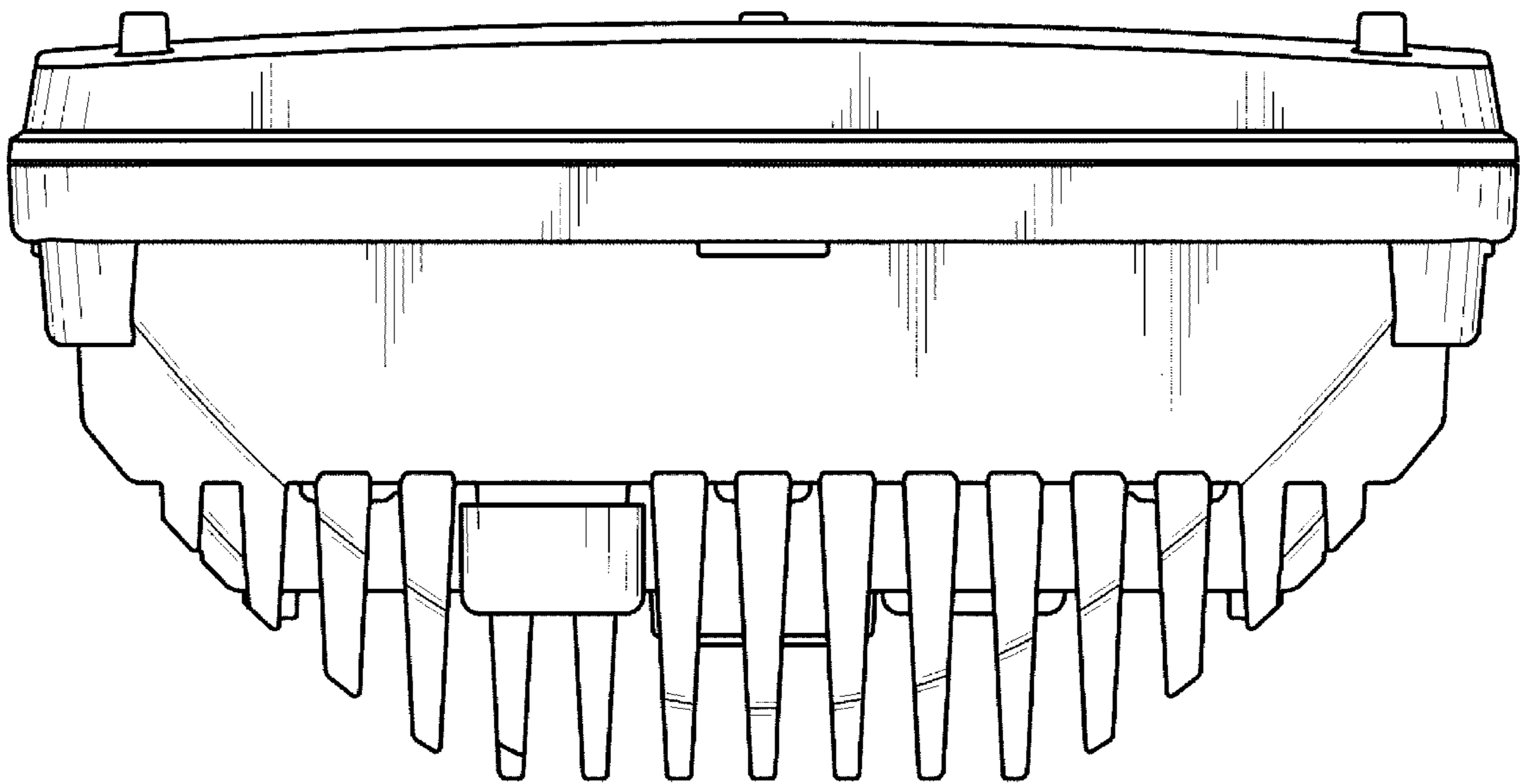


FIG.7