



US00D643951S

(12) **United States Design Patent**
Cai

(10) **Patent No.:** **US D643,951 S**

(45) **Date of Patent:** **** Aug. 23, 2011**

(54) **LED VISOR LIGHT**

(76) **Inventor:** **Yimei Cai, Ningbo (CN)**

(**) **Term:** **14 Years**

(21) **Appl. No.:** **29/369,977**

(22) **Filed:** **Sep. 16, 2010**

(51) **LOC (9) Cl.** **26-06**

(52) **U.S. Cl.** **D26/28**

(58) **Field of Classification Search** D26/28-36;
362/459-468, 475-478, 485-487, 61, 74-83,
362/330-335

See application file for complete search history.

(56) **References Cited**

U.S. PATENT DOCUMENTS

D293,479 S * 12/1987 Hughet D26/28
D315,216 S * 3/1991 Kelley et al. D26/28

D324,111 S * 2/1992 Arbisi D26/28
D334,821 S * 4/1993 Morgan D26/28
D578,683 S * 10/2008 Huang D26/28

* cited by examiner

Primary Examiner — Marcus Jackson

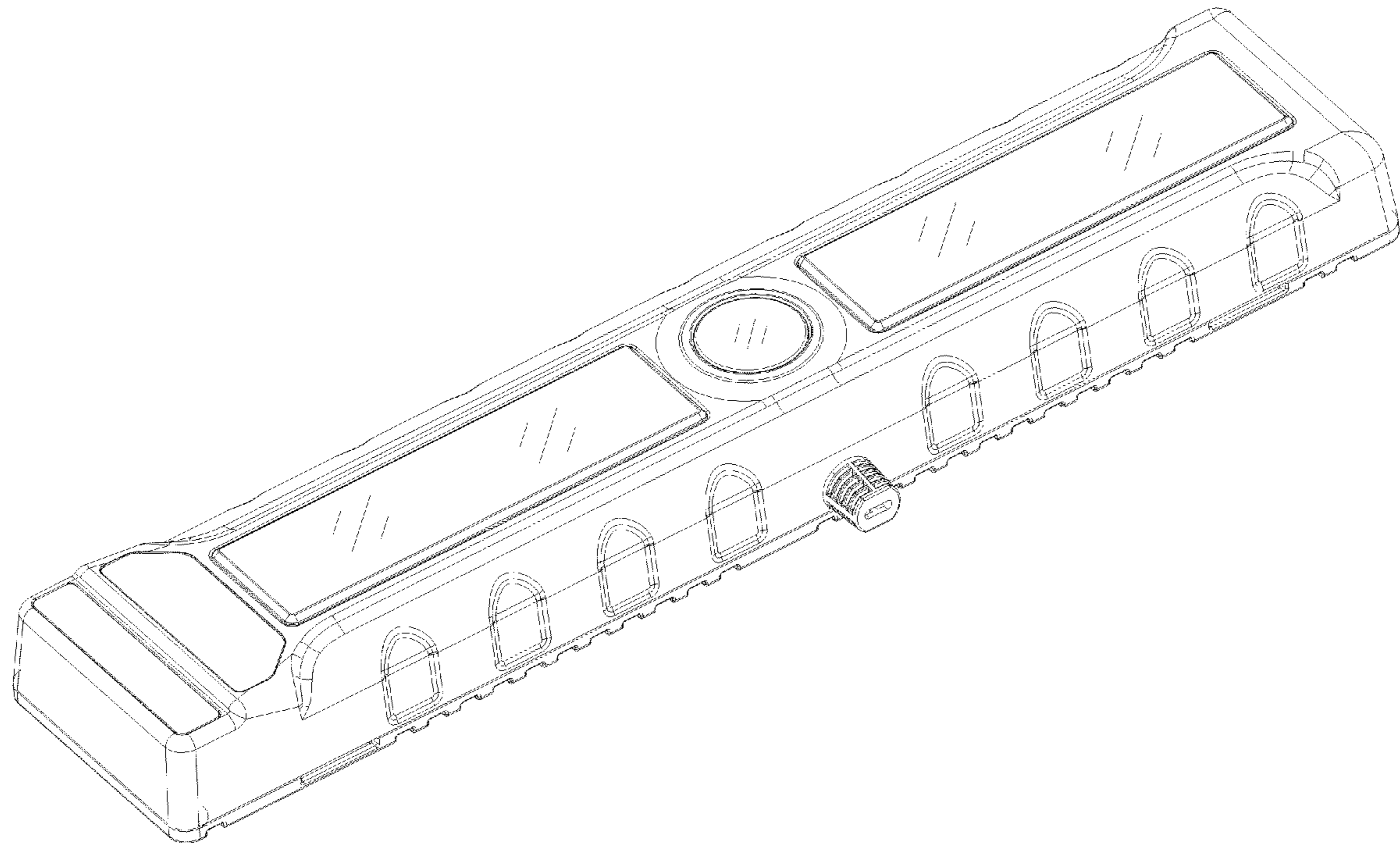
(57) **CLAIM**

The ornamental design for a LED visor light, as shown and described.

DESCRIPTION

FIG. 1 is a perspective view of a LED visor light, showing the new design;
FIG. 2 is a front elevational view thereof;
FIG. 3 is a rear elevational view thereof;
FIG. 4 is a top elevational view thereof;
FIG. 5 is a bottom elevational view thereof;
FIG. 6 is a left side elevational view thereof; and,
FIG. 7 is a right side elevational view thereof.

1 Claim, 6 Drawing Sheets



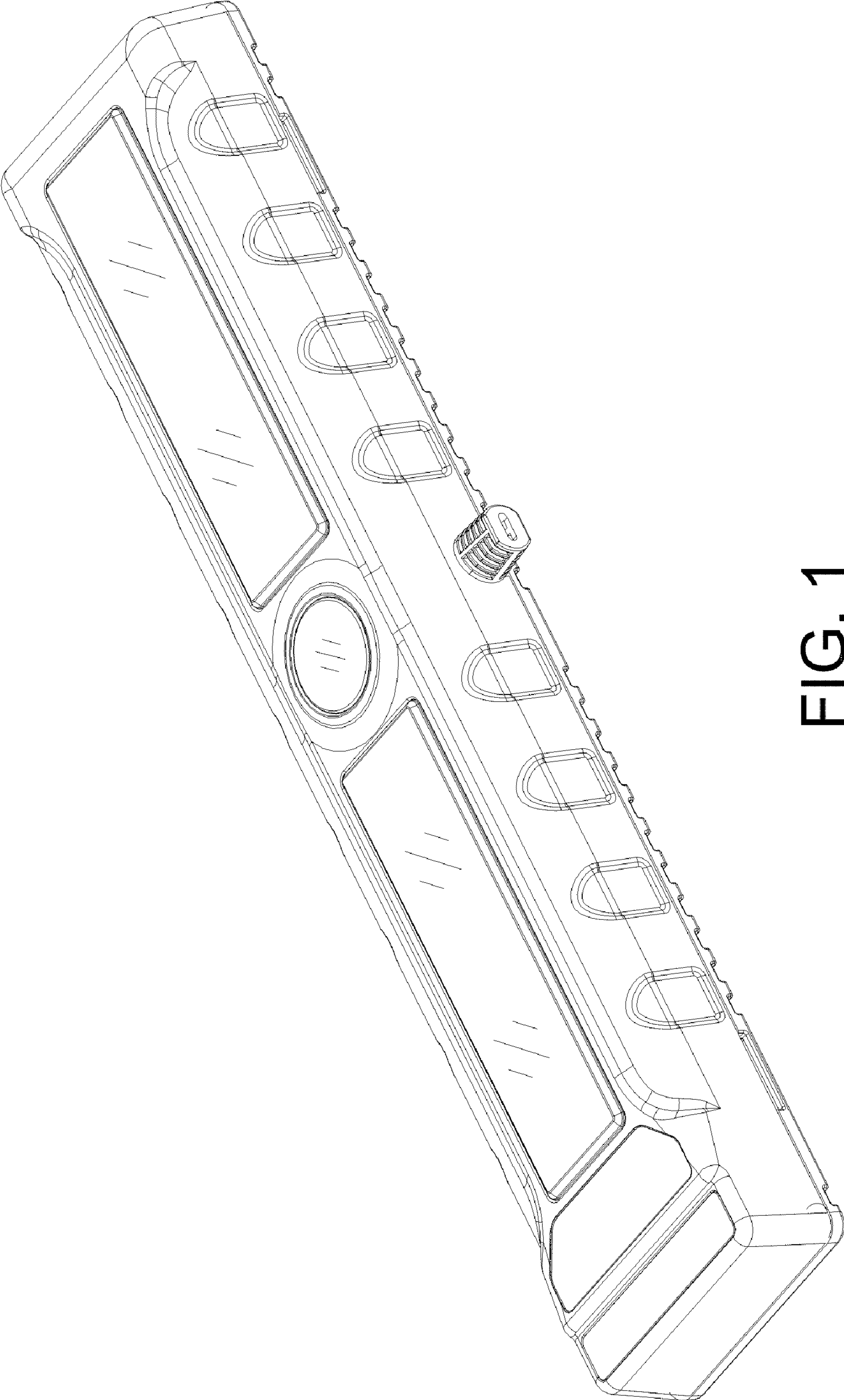


FIG. 1

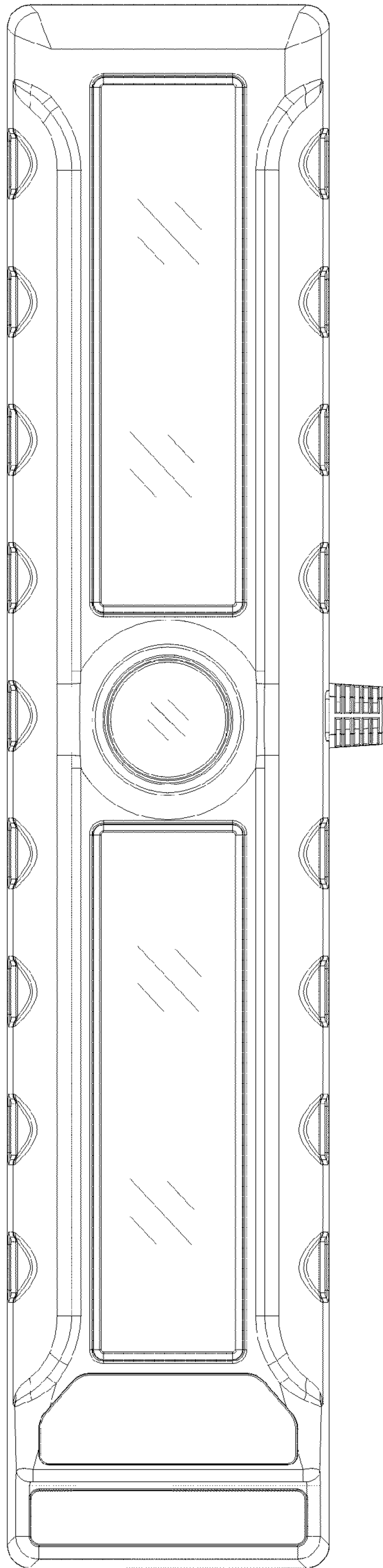


FIG. 2

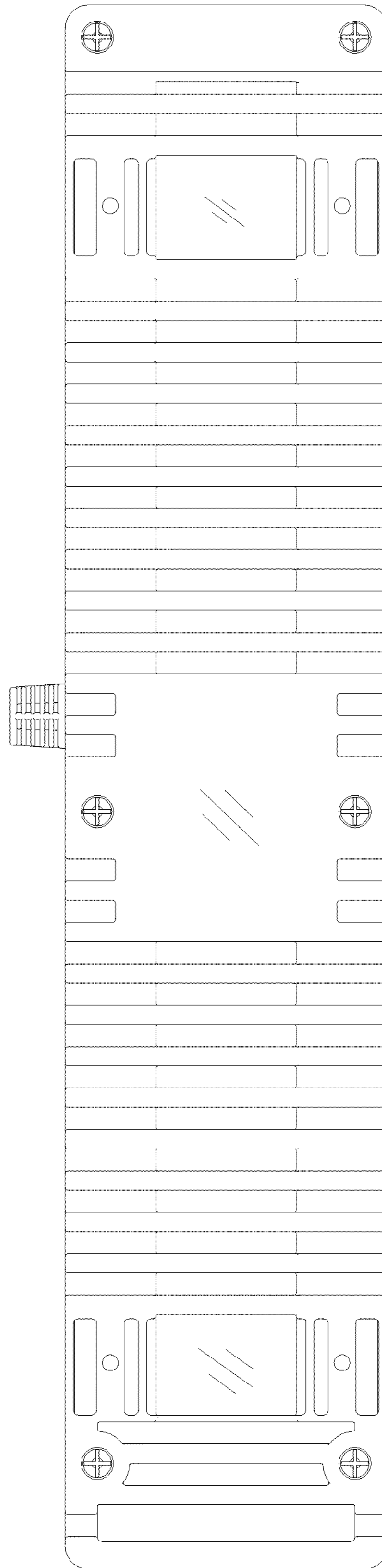


FIG. 3

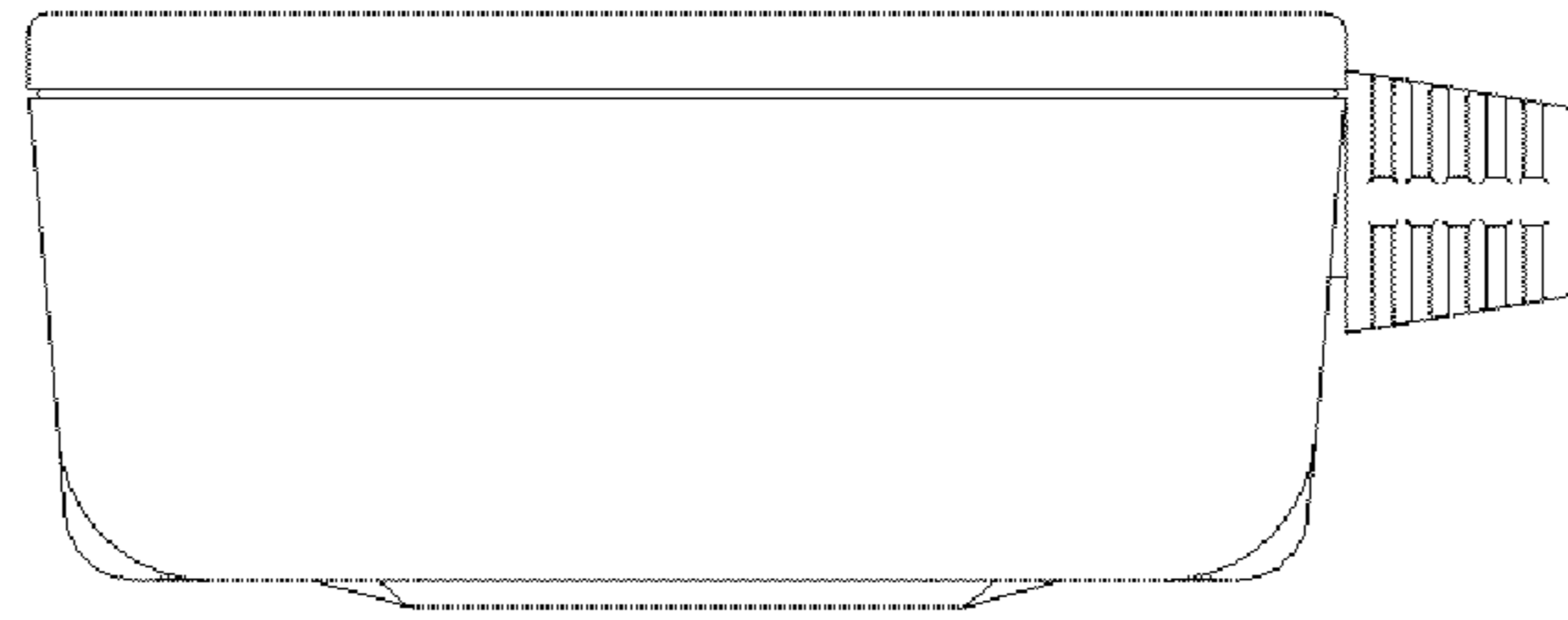


FIG. 4

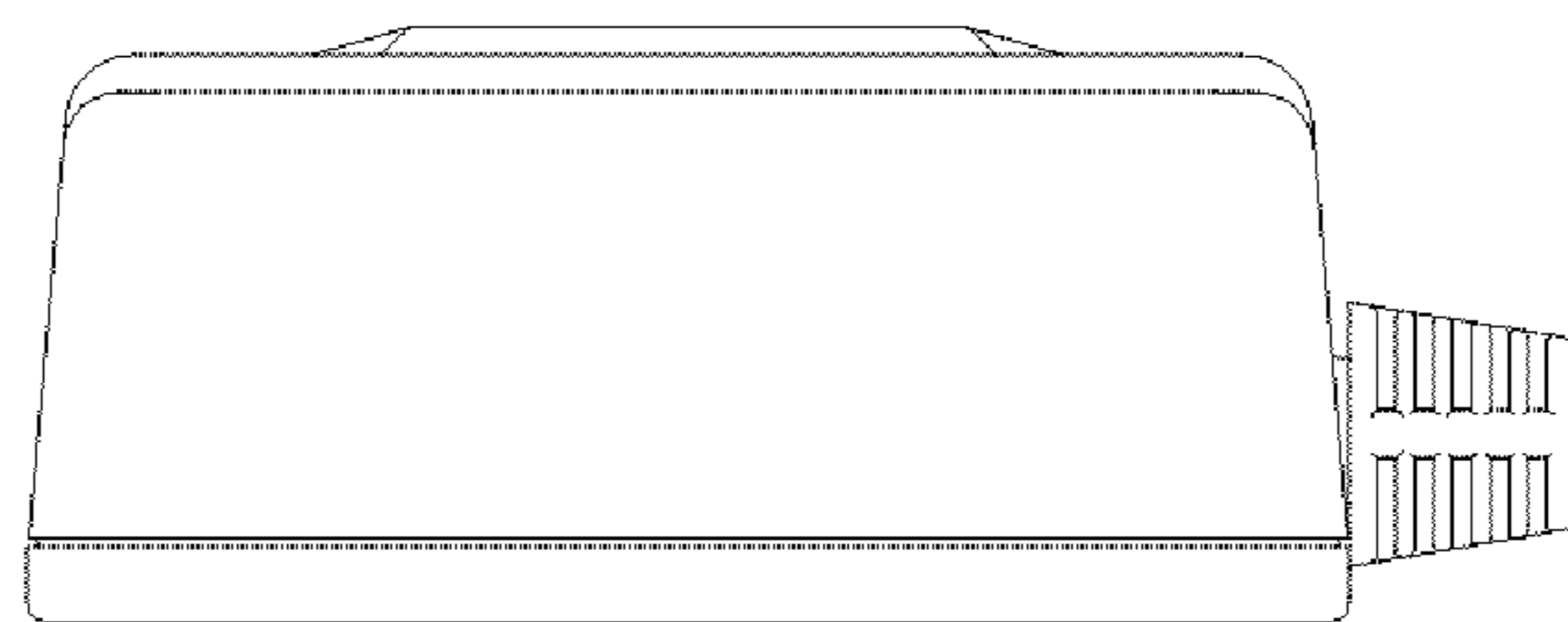


FIG. 5

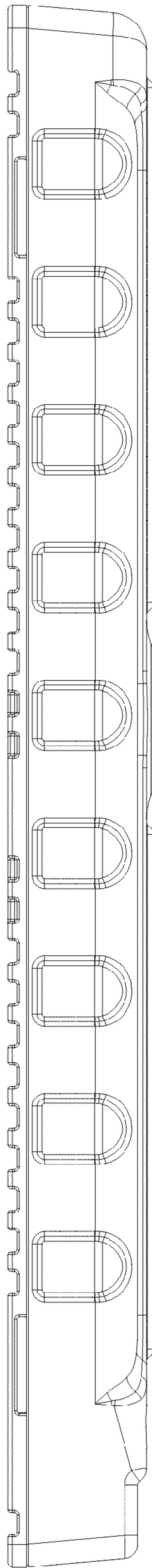


FIG. 6

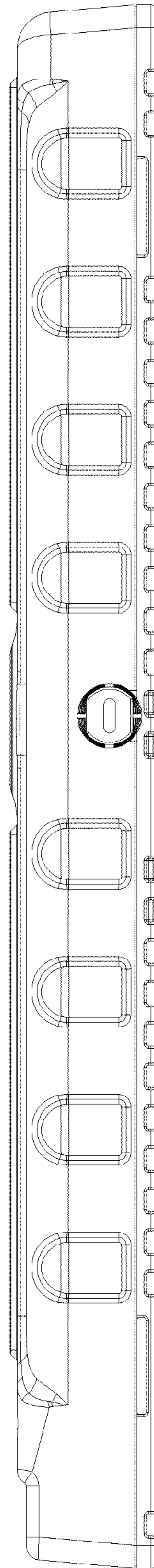


FIG. 7