



US00D643948S

(12) **United States Design Patent**
Wada et al.

(10) **Patent No.:** **US D643,948 S**
(45) **Date of Patent:** **** Aug. 23, 2011**

(54) **LIGHT EMITTING DIODE LAMP**

(75) Inventors: **Asuka Wada**, Kanagawa (JP); **Junichiro Yamamoto**, Kanagawa (JP)

(73) Assignees: **Toshiba Lighting & Technology Corporation**, Kanagawa (JP); **Kabushiki Kaisha Toshiba**, Tokyo (JP)

(**) Term: **14 Years**

(21) Appl. No.: **29/377,608**

(22) Filed: **Oct. 22, 2010**

(30) **Foreign Application Priority Data**

Apr. 27, 2010 (JP) 2010-010515

(51) **LOC (9) Cl.** **26-04**

(52) **U.S. Cl.** **D26/2**

(58) **Field of Classification Search** D26/1-5,
D26/120, 138; 313/313, 315, 316, 317, 318,
313/493; 315/52, 53, 56, 57, 58; 362/290,
362/294, 309; D13/180, 110
See application file for complete search history.

(56) **References Cited**

U.S. PATENT DOCUMENTS

D397,233 S *	8/1998	Bassford	D26/67
D532,142 S *	11/2006	Matsui et al.	D26/80
D547,886 S *	7/2007	Foo	D26/2
D578,299 S *	10/2008	Dennis	D2/976
D581,081 S *	11/2008	Mier-Langner	D26/72
D593,229 S *	5/2009	Hanley	D26/28
D598,873 S *	8/2009	Tseng	
D614,321 S *	4/2010	Yang	D26/2
D621,969 S	8/2010	Yamamoto et al.	
D621,970 S	8/2010	Yamamoto et al.	
D621,971 S	8/2010	Yamamoto et al.	
D621,972 S	8/2010	Yamamoto et al.	
7,784,973 B2 *	8/2010	Zhang et al.	362/294

(Continued)

FOREIGN PATENT DOCUMENTS

EM 000444591-0010 * 7/2006

(Continued)

OTHER PUBLICATIONS

Toshiba LED Modules GX53, © 2011 Toshiba Systemes (France) S.A.S., posting date not given, [online], [site visited Jun. 8, 2011]. Available from Internet, <URL:http://www.toshiba.co.uk/newlighting/en/LED-Modules/GX53-module/>.*

(Continued)

Primary Examiner — Jeffrey D Asch

(74) *Attorney, Agent, or Firm* — J.C. Patents

(57) **CLAIM**

The ornamental design for a light emitting diode lamp, as shown and described.

DESCRIPTION

FIG. 1 is a perspective view of a light emitting diode lamp showing our new design;

FIG. 2 is another perspective view thereof;

FIG. 3 is a front view thereof;

FIG. 4 is a right side view thereof;

FIG. 5 is a top view thereof;

FIG. 6 is a bottom view thereof;

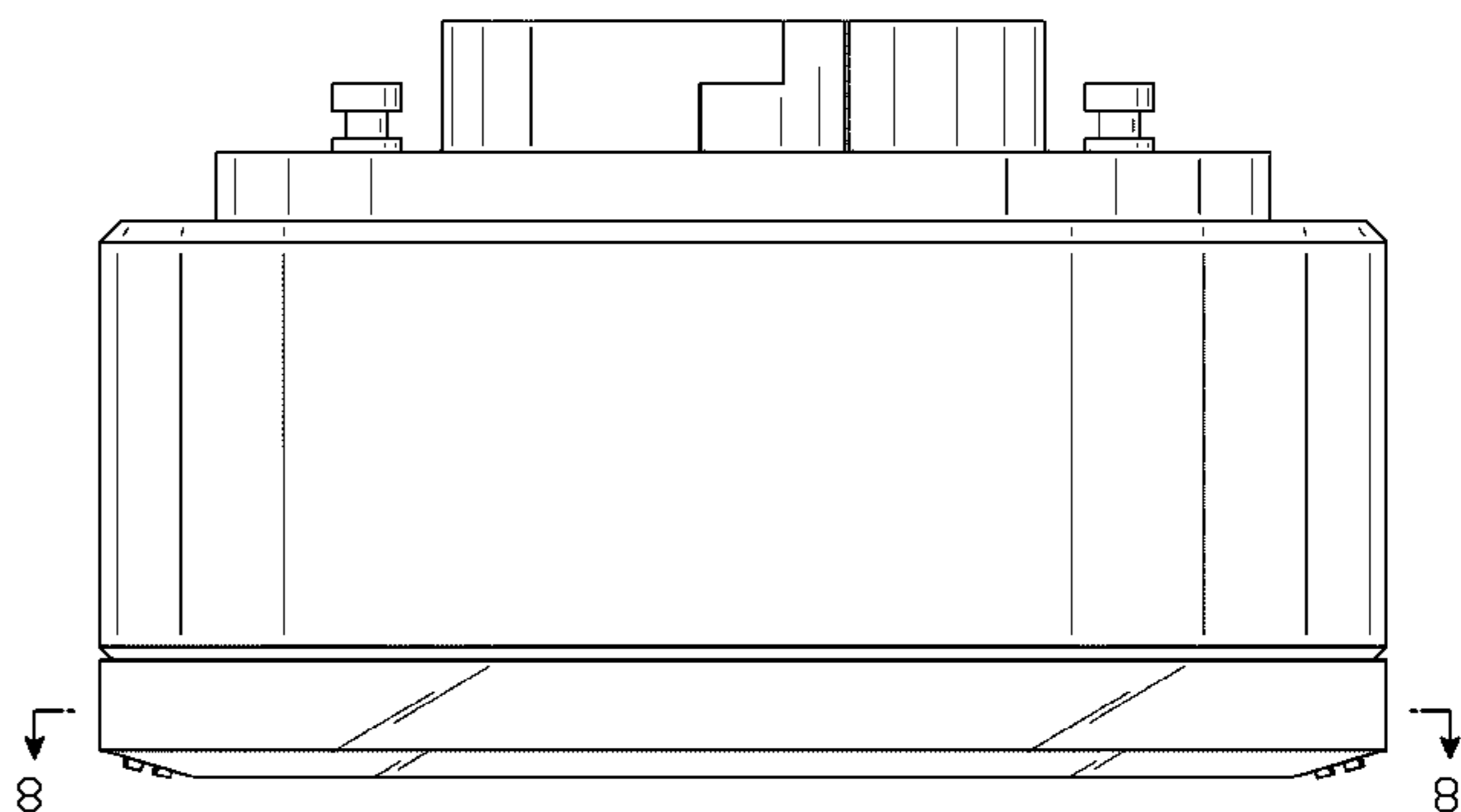
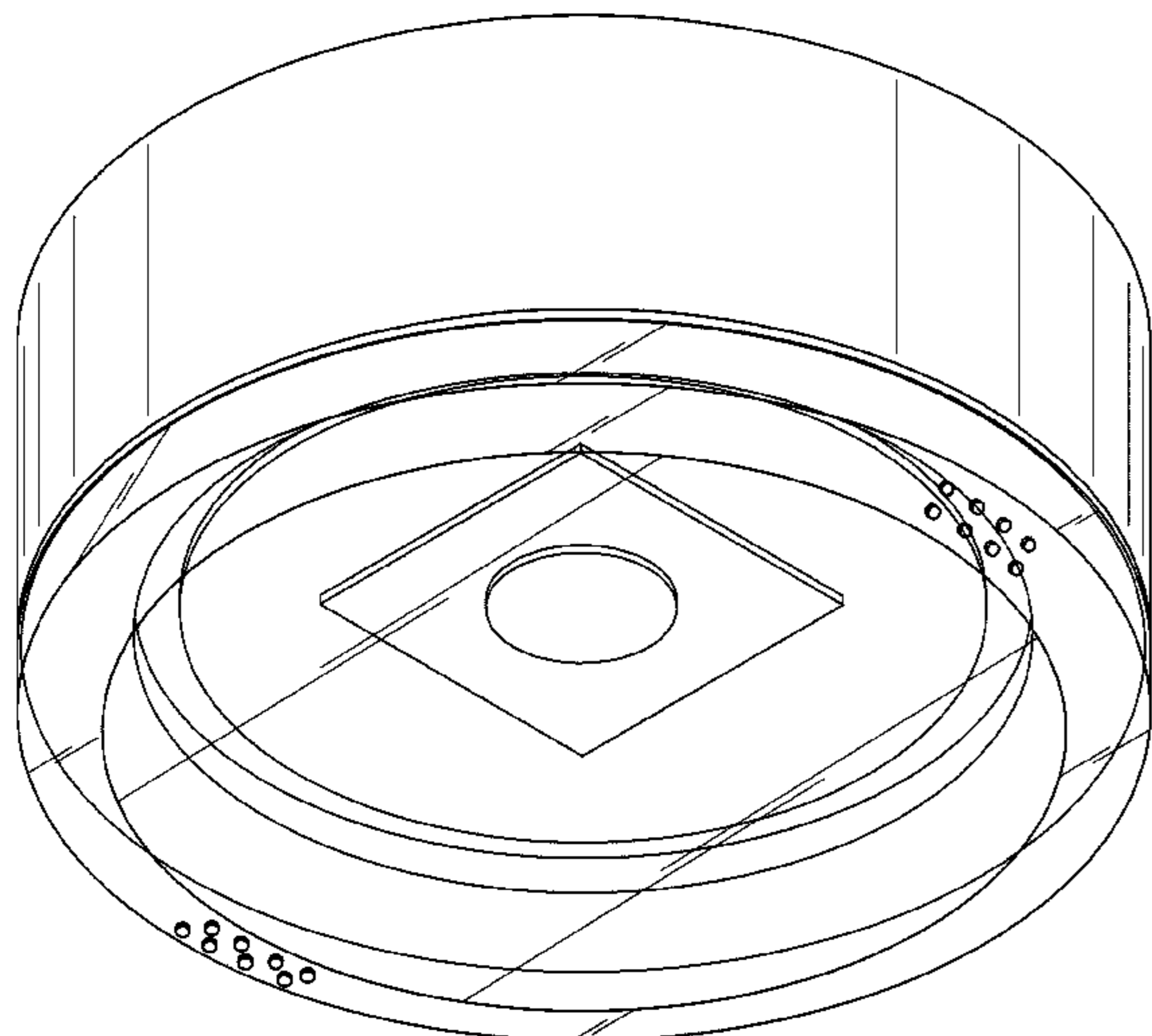
FIG. 7 is a sectional view of FIG. 4 along line 7-7 with internal structure omitted thereof; and,

FIG. 8 is a sectional view of FIG. 3 along line 8-8 with internal structure omitted thereof.

A left side view and a rear view of the light emitting diode lamp are omitted since the left side view and the rear view are respectively identical to the right side view and the front view.

In the figures, the portions with double hatching lines in the sectional view of FIG. 4 along line 7-7 with internal structure omitted and the sectional view of FIG. 3 along line 8-8 with internal structure omitted are transparent.

1 Claim, 8 Drawing Sheets



US D643,948 S

Page 2

U.S. PATENT DOCUMENTS

D625,030 S * 10/2010 Yamamoto et al. D26/2
D625,031 S * 10/2010 Yamamoto et al. D26/2
D625,440 S * 10/2010 Yamamoto et al. D26/2
D627,492 S * 11/2010 Yamamoto et al. D26/2
D627,493 S * 11/2010 Yamamoto et al. D26/2
D628,312 S * 11/2010 Yamamoto et al. D26/2
D628,317 S * 11/2010 Yamamoto et al. D26/2
D628,318 S * 11/2010 Yamamoto et al. D26/2
D628,722 S * 12/2010 Yamamoto et al. D26/2
D631,573 S * 1/2011 Yamamoto et al. D26/2
D639,496 S * 6/2011 Wada et al. D26/120
D639,497 S * 6/2011 Ogawa et al. D26/120
2010/0026158 A1 * 2/2010 Wu 313/46
2010/0073951 A1 * 3/2010 Yatsuda et al. 362/539
2011/0063849 A1 * 3/2011 Alexander et al. 362/294

FOREIGN PATENT DOCUMENTS

EM 001512179-0001 * 3/2009
JP 1247684 * 7/2005

OTHER PUBLICATIONS

Toshiba—Leading Innovation Light Modules LED GX53, © 2011
Toshiba International Corporation, posting date not given, [online],
[site visited Jun. 8, 2011]. Available from Internet ,<URL:<http://www.toshiba.com/lighting/products/light-modules/led-gx53.jsp>>.*

* cited by examiner

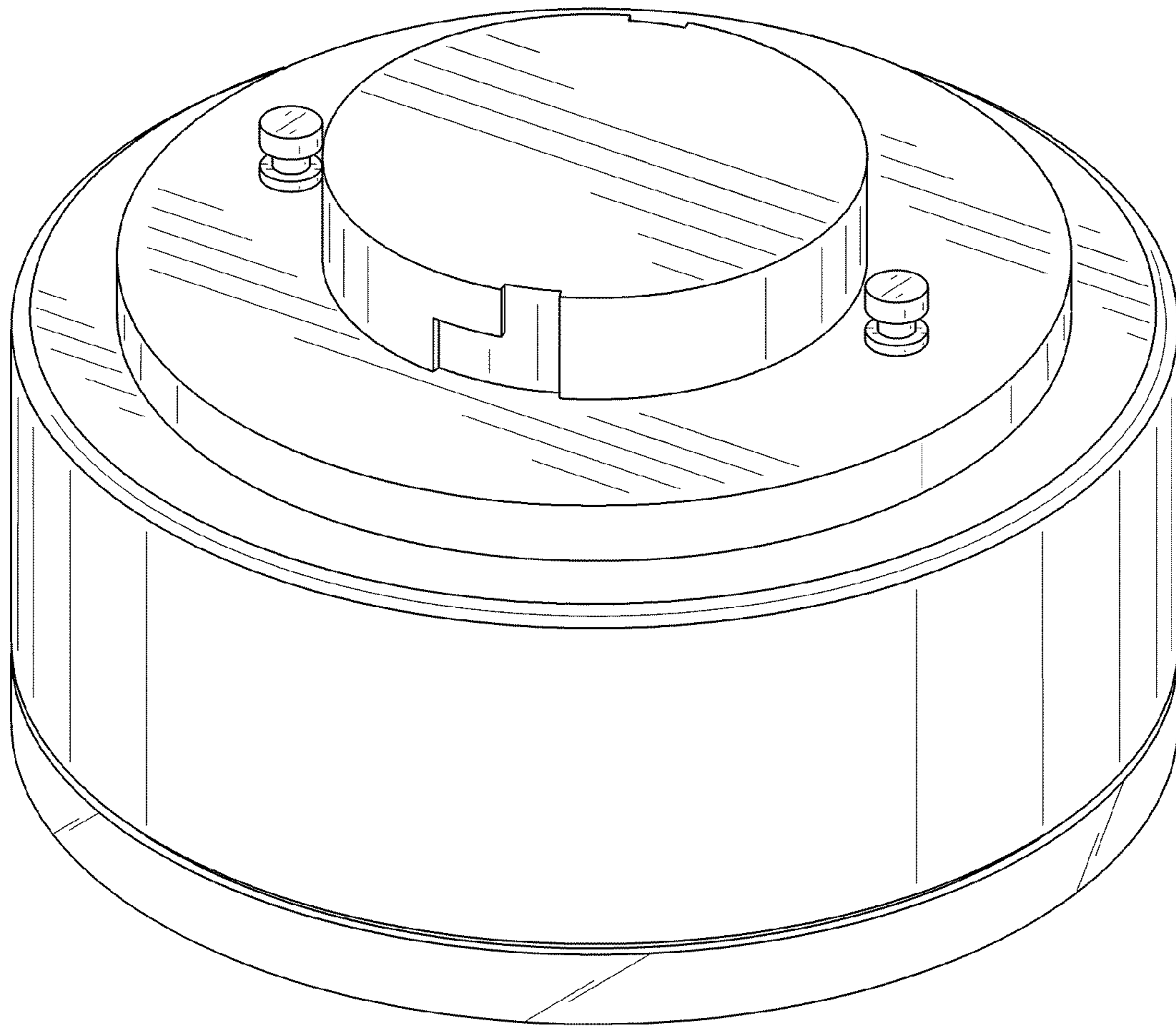


FIG. 1

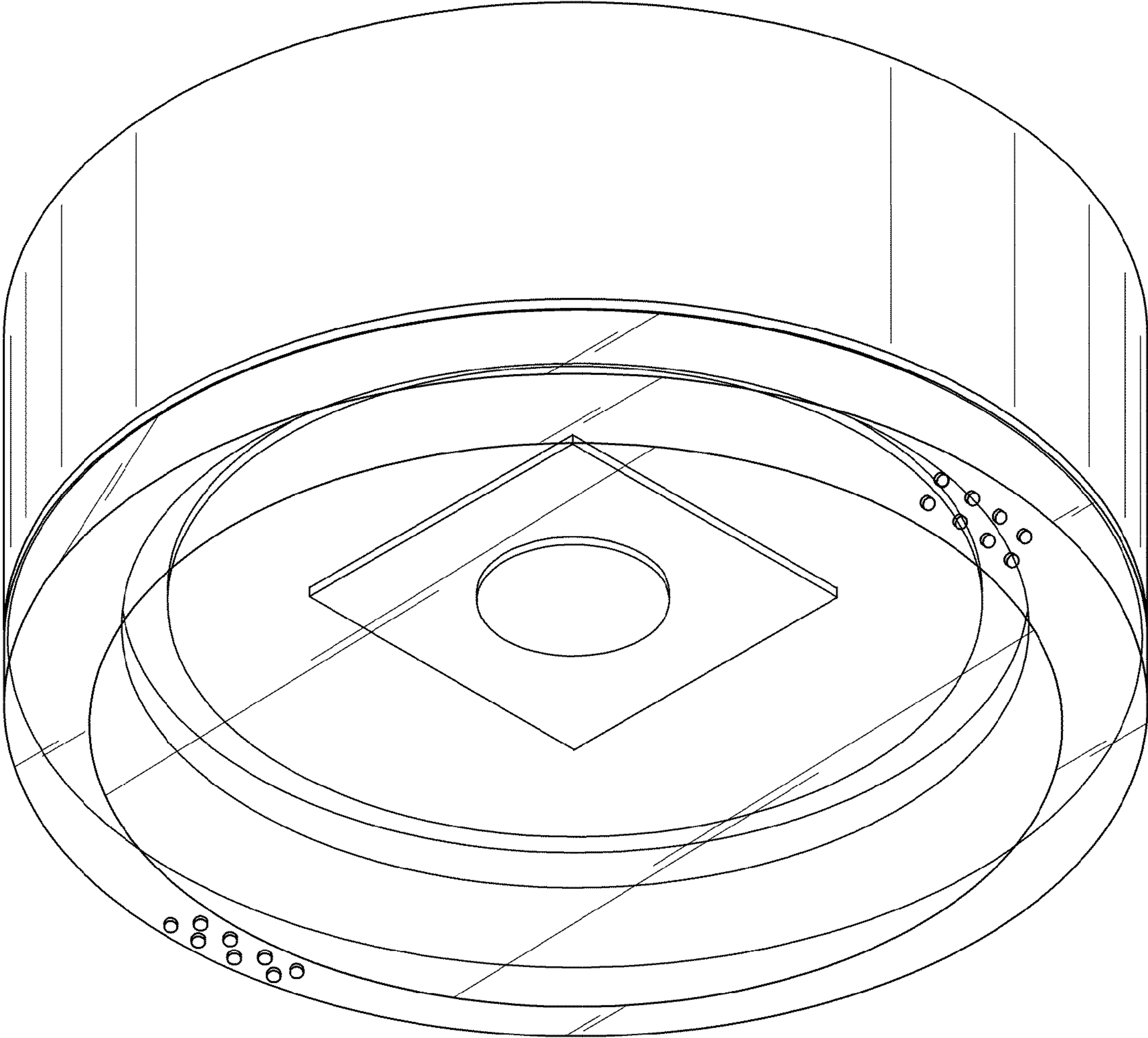


FIG. 2

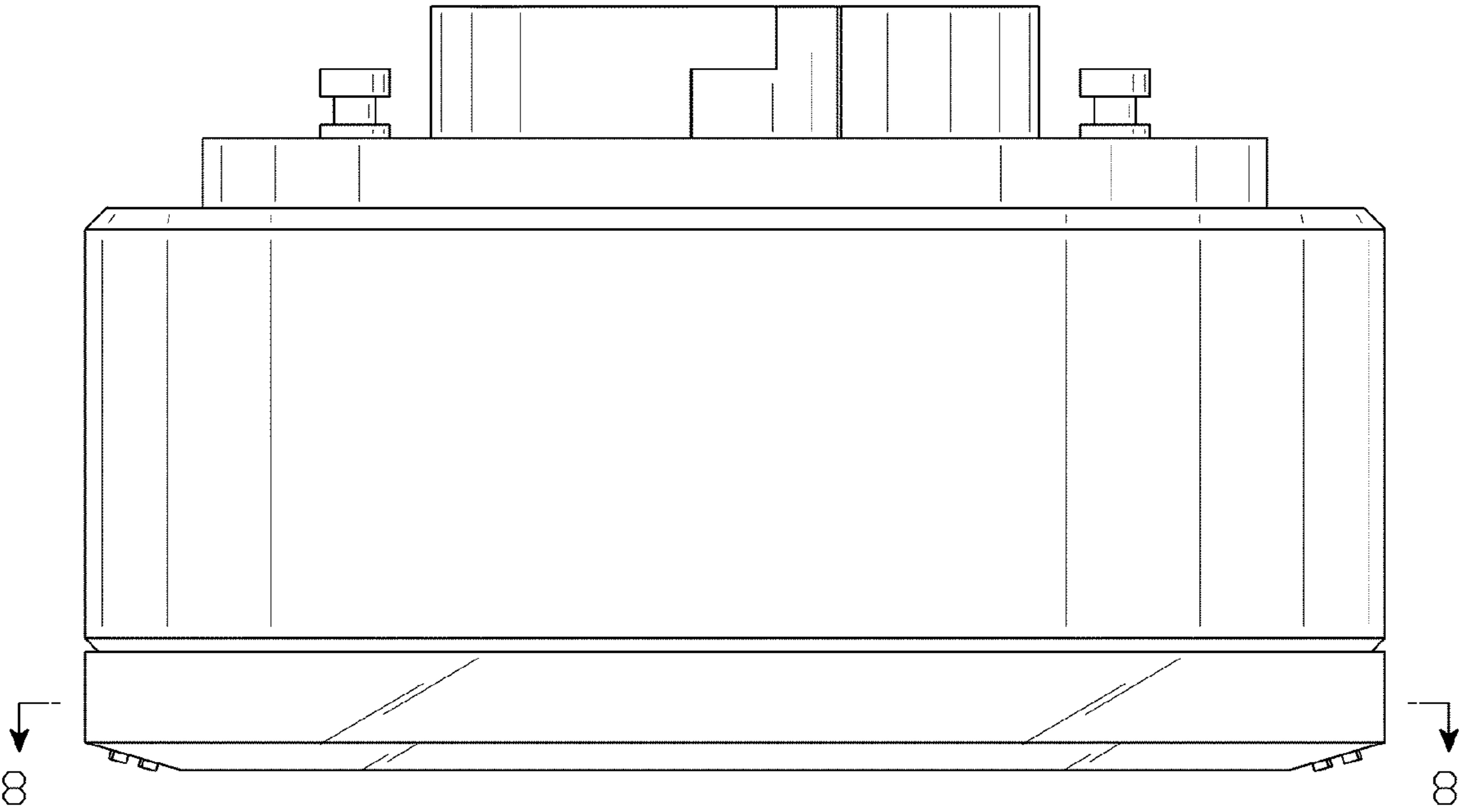


FIG. 3

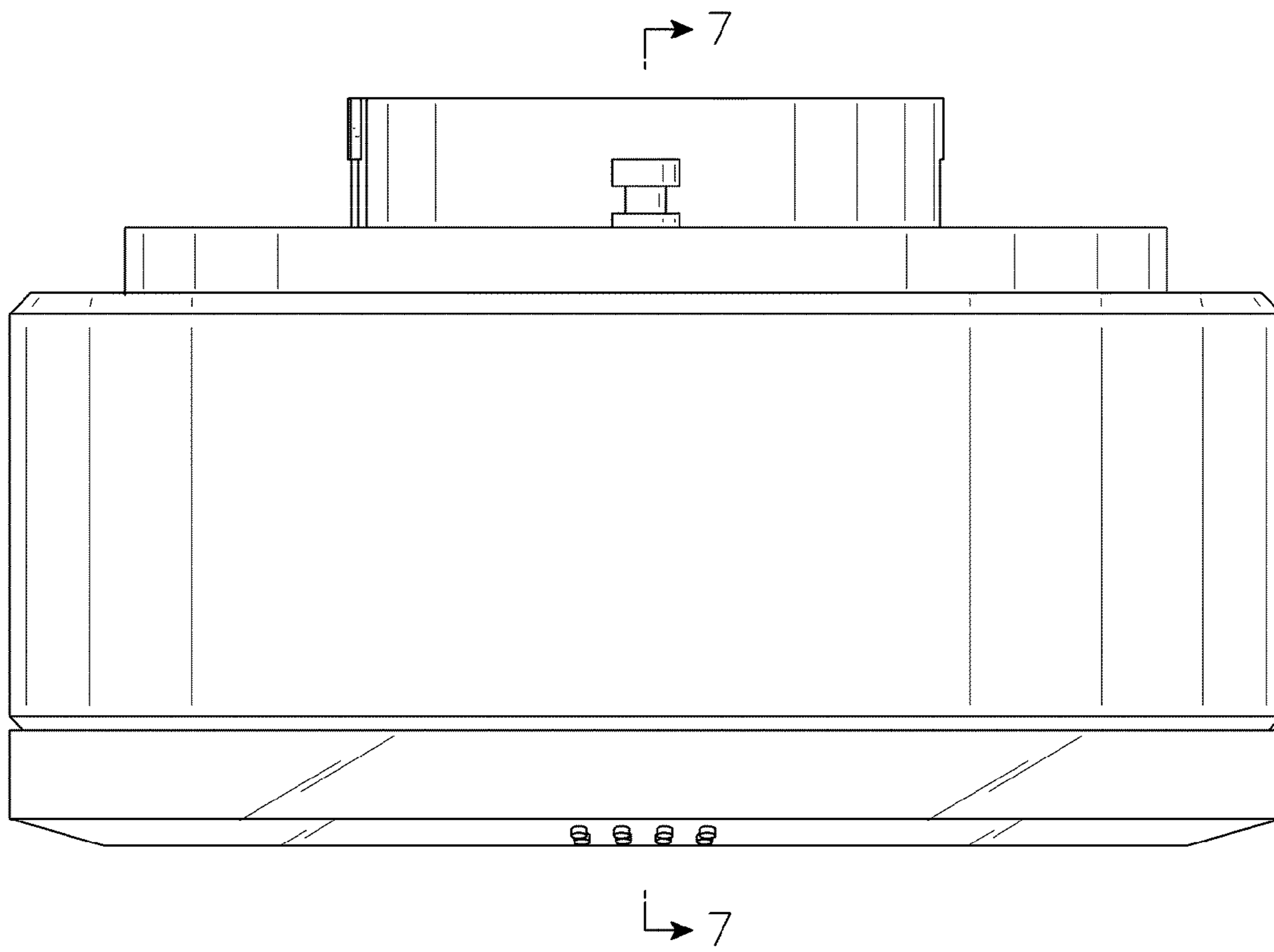


FIG. 4

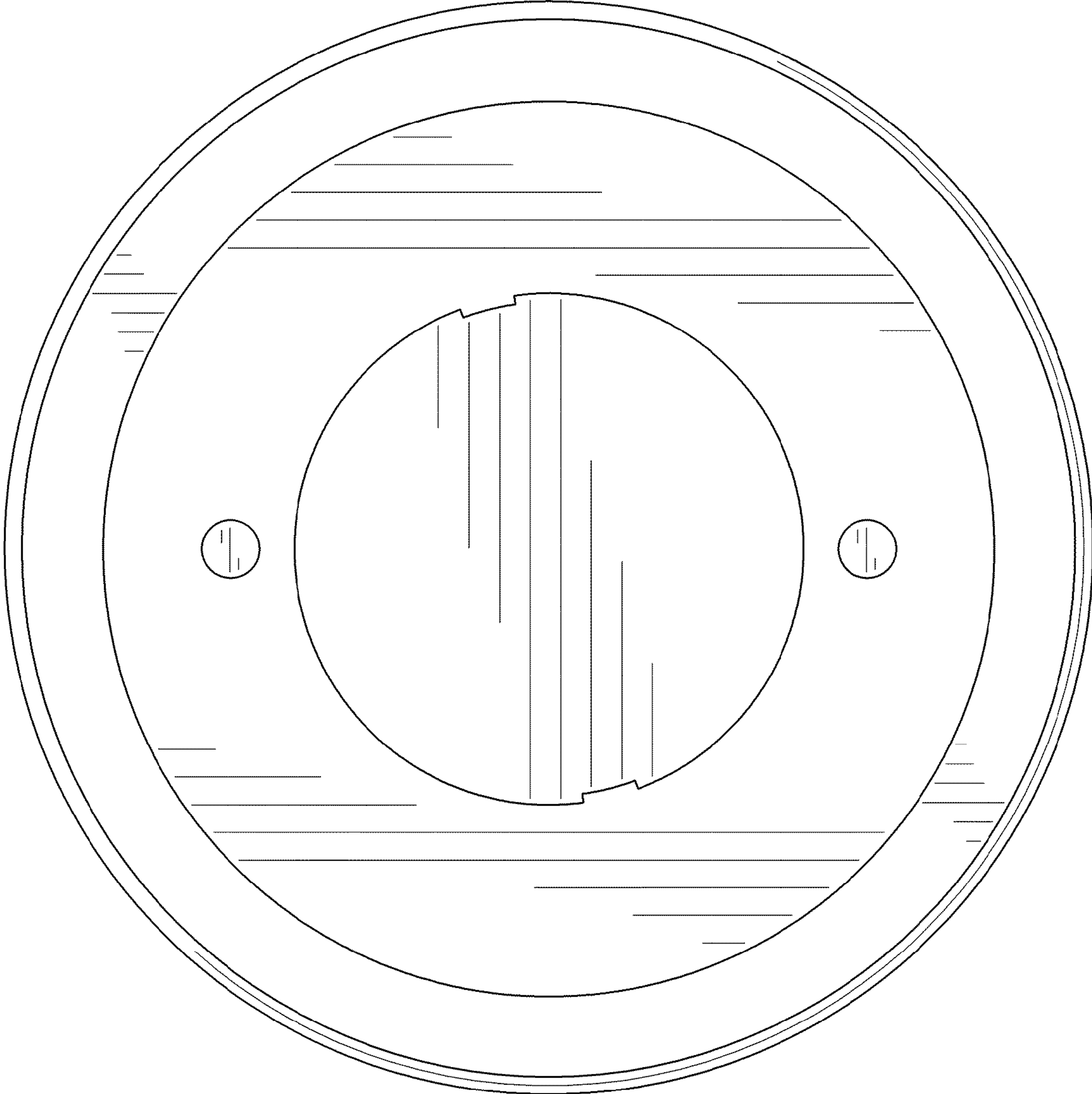


FIG. 5

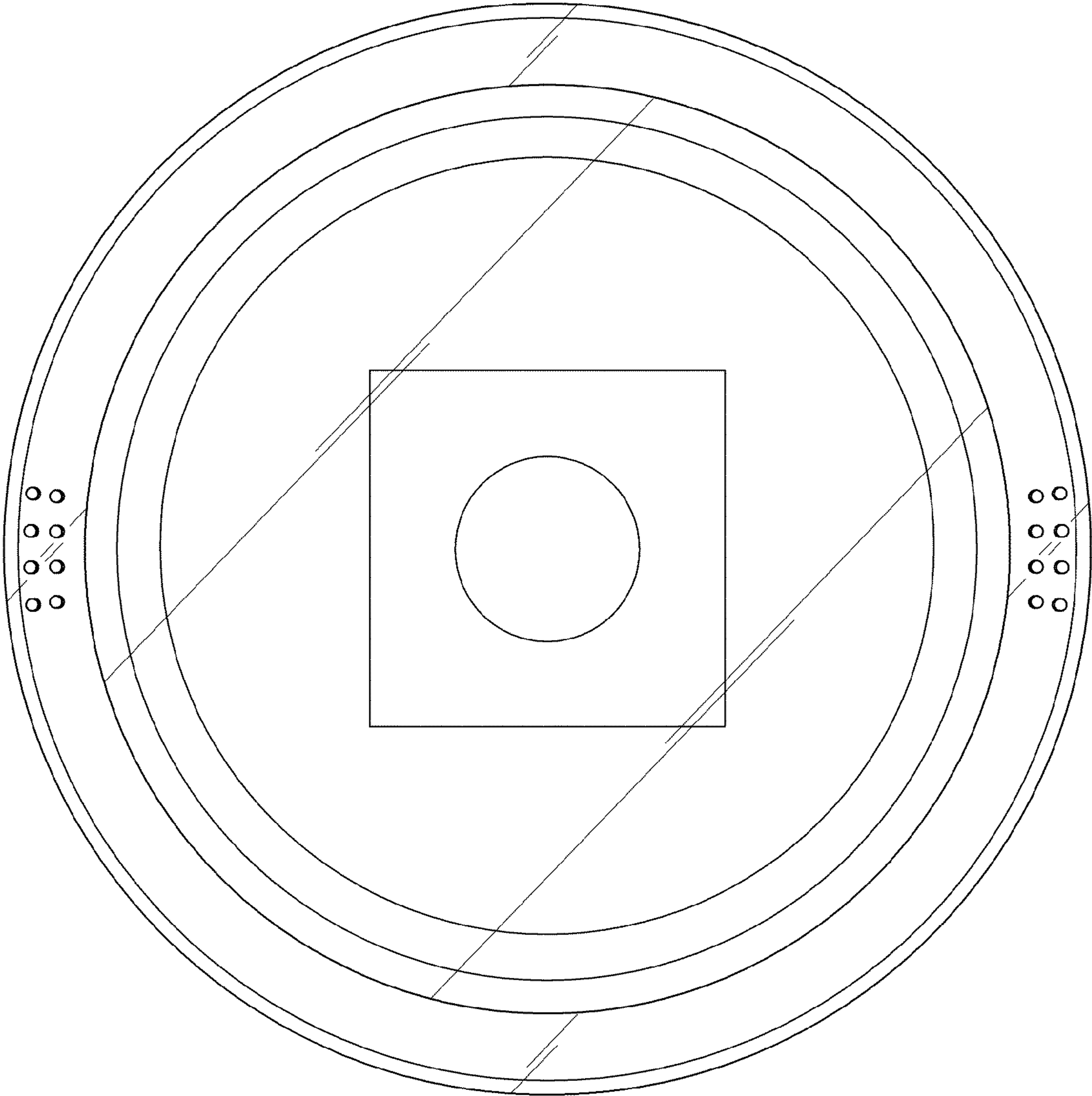


FIG. 6

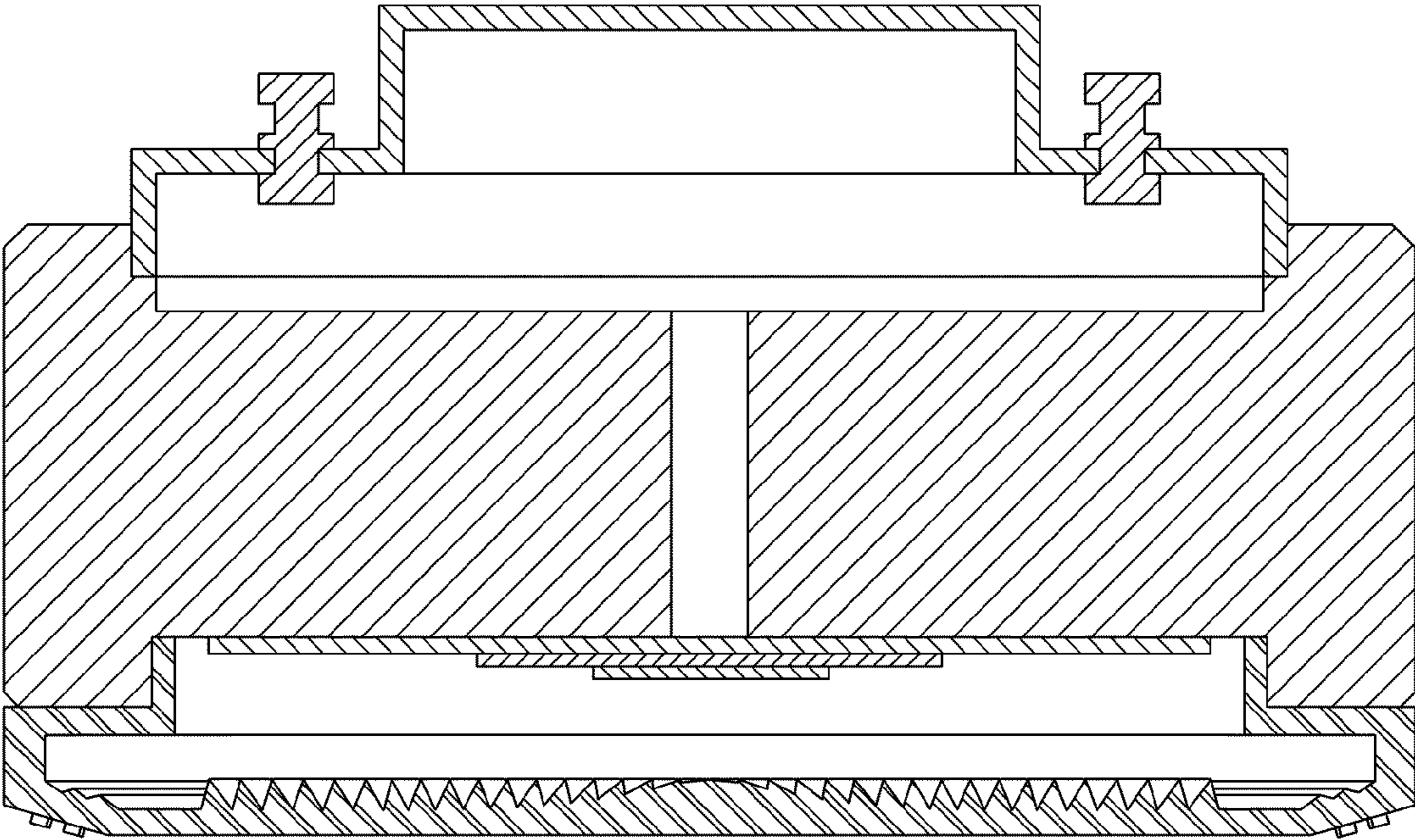


FIG. 7

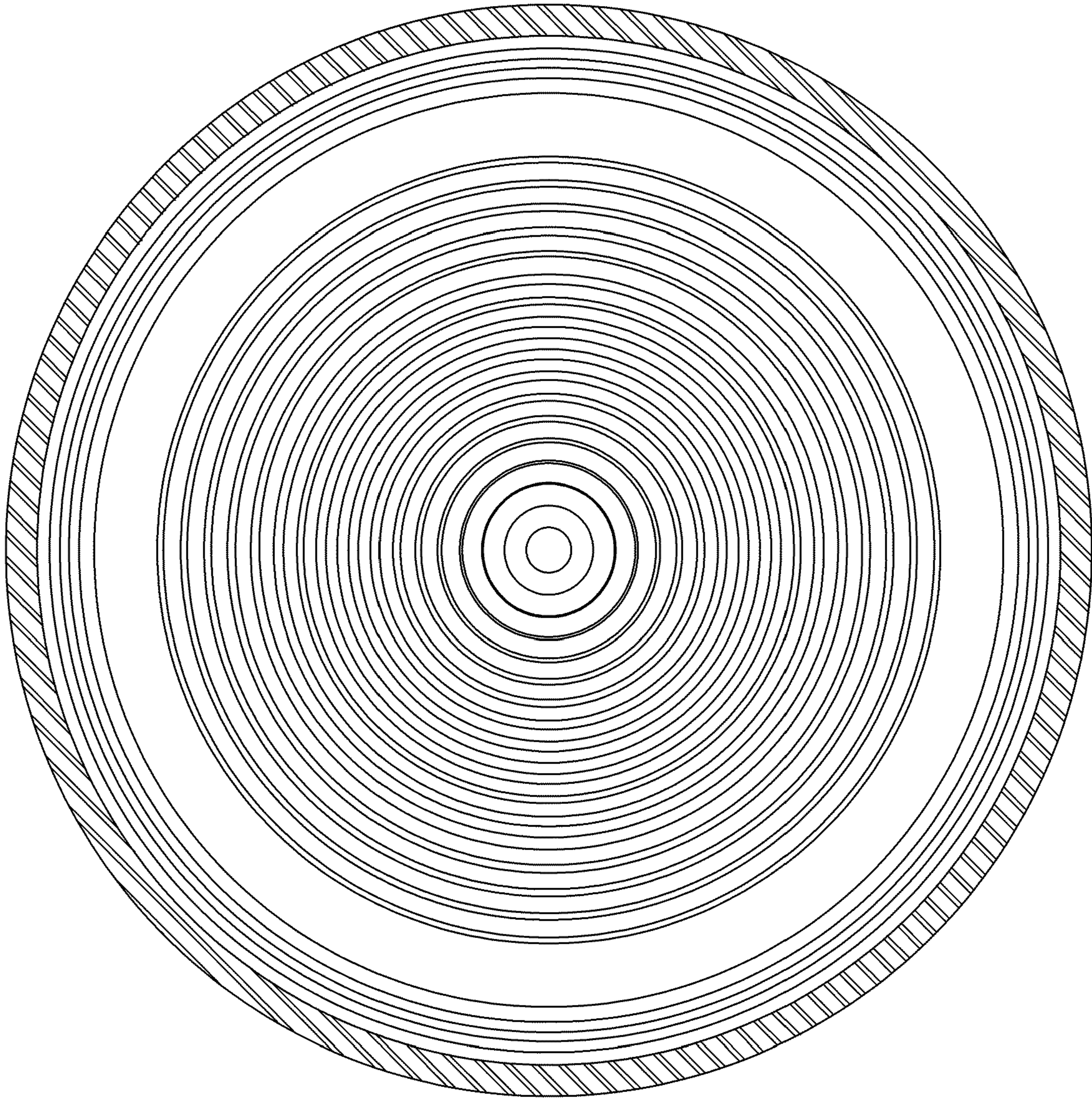


FIG. 8