



US00D643946S

(12) **United States Design Patent**  
**Grajcar**

(10) **Patent No.:** **US D643,946 S**

(45) **Date of Patent:** **\*\* Aug. 23, 2011**

(54) **LIGHT**

(75) Inventor: **Zdenko Grajcar**, Crystal, MN (US)

(73) Assignee: **Nexus Lighting, Inc.**, Charlotte, NC (US)

(\*\*) Term: **14 Years**

(21) Appl. No.: **29/333,039**

(22) Filed: **Mar. 2, 2009**

D601,277 S *	9/2009	Grajcar	.....	D26/2
D607,587 S *	1/2010	Ko	.....	D26/2
D610,275 S *	2/2010	Cho	.....	D26/2
D612,956 S *	3/2010	Moon	.....	D26/2
D613,433 S *	4/2010	Moon	.....	D26/2

\* cited by examiner

*Primary Examiner* — Marcus Jackson

(74) *Attorney, Agent, or Firm* — McGiurewoods LLP

**Related U.S. Application Data**

(63) Continuation of application No. 29/324,960, filed on Sep. 24, 2008, now Pat. No. Des. 590,076.

(51) **LOC (9) Cl.** ..... **26-04**

(52) **U.S. Cl.** ..... **D26/2**

(58) **Field of Classification Search** ..... D26/1-4;  
313/313, 315, 316, 317, 318, 493; 315/52,  
315/53, 56, 57, 58

See application file for complete search history.

(56) **References Cited**

**U.S. PATENT DOCUMENTS**

D545,457 S *	6/2007	Chen	.....	D26/2
D584,428 S *	1/2009	Li et al.	.....	D26/2
D587,384 S *	2/2009	Wei	.....	D26/2
D592,766 S *	5/2009	Zhu et al.	.....	D26/2
D601,275 S *	9/2009	Ho et al.	.....	D26/2

(57) **CLAIM**

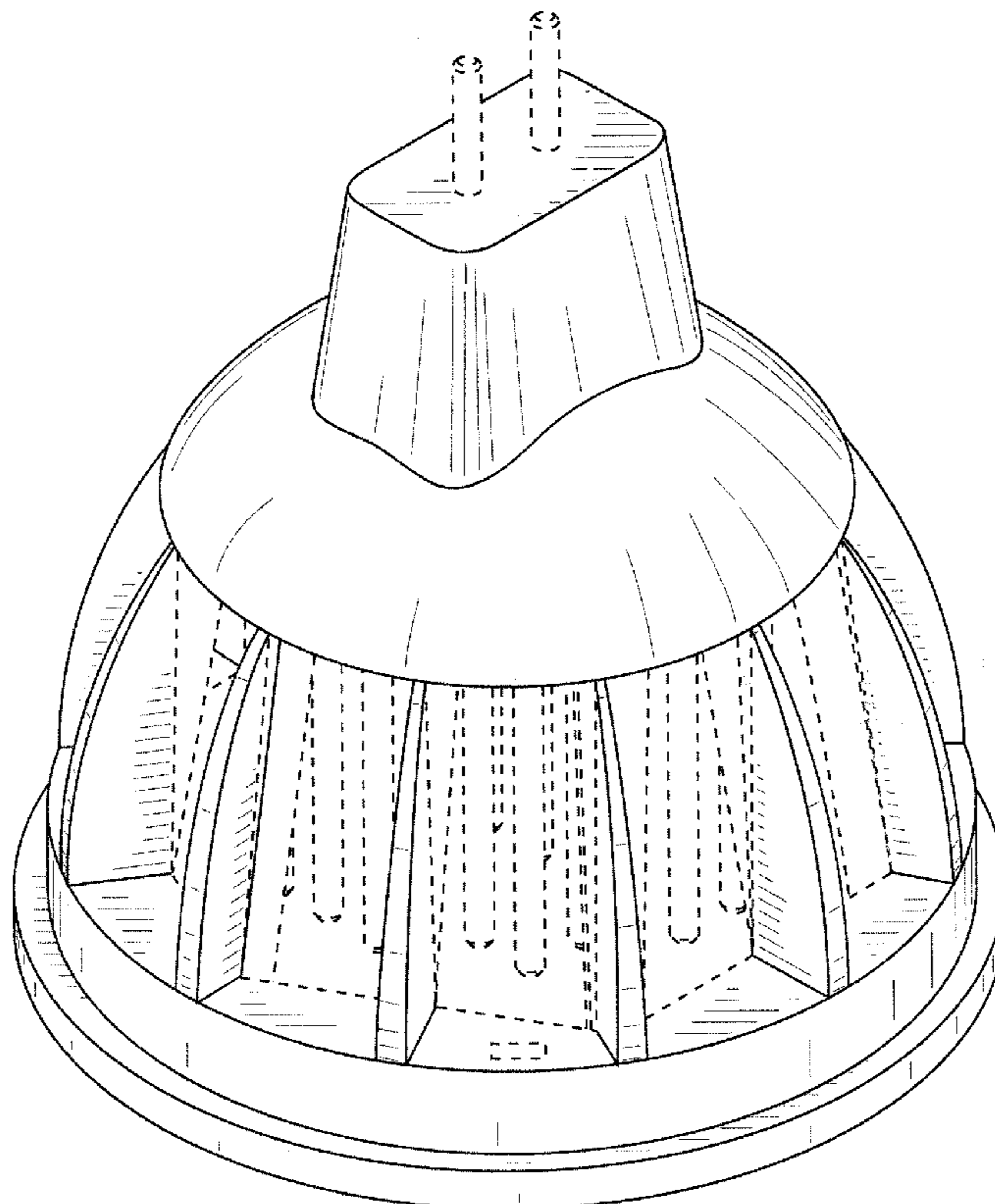
I claim the ornamental design for a light, as shown and described.

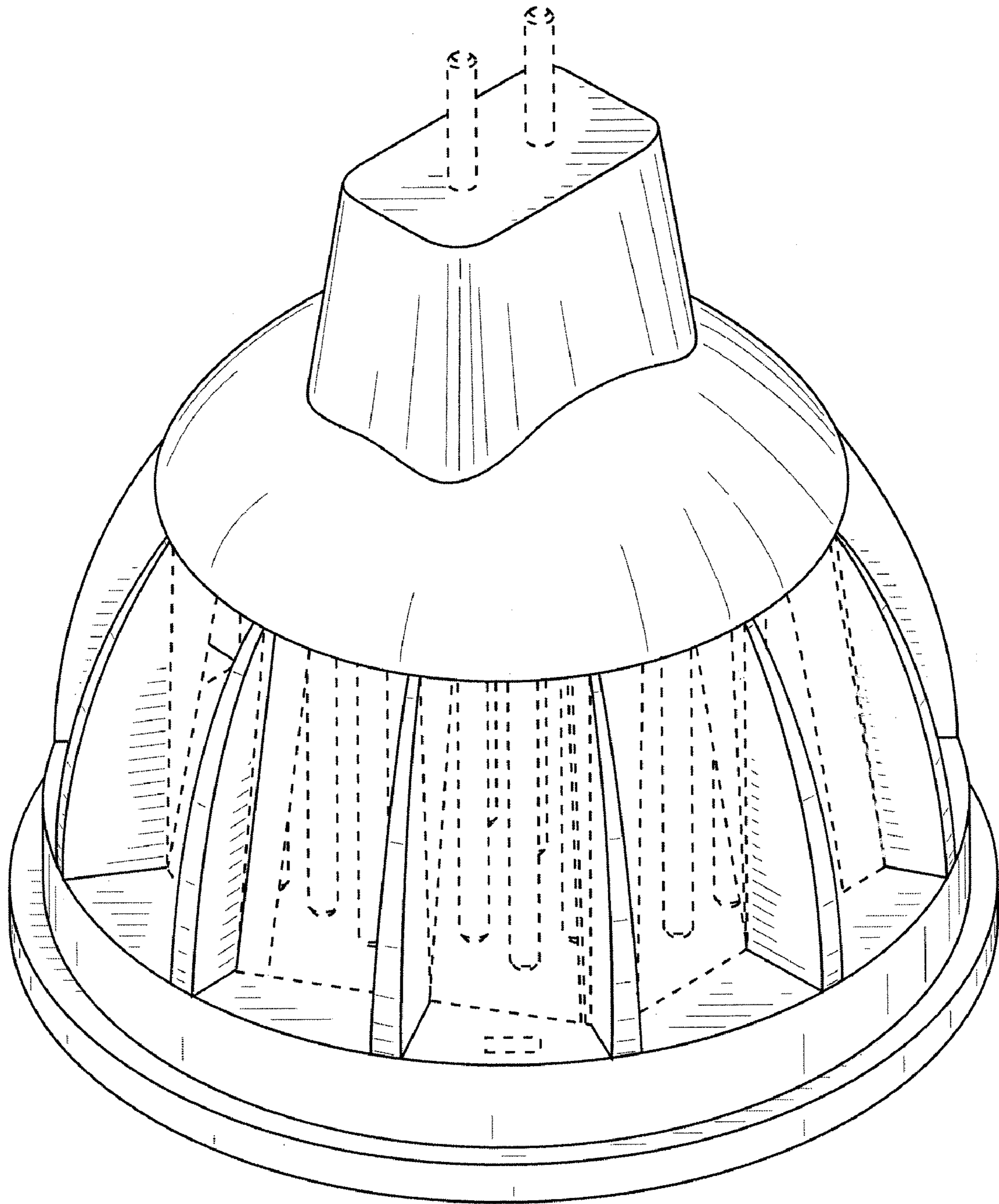
**DESCRIPTION**

FIG. 1 is a perspective view of the light;  
FIG. 2 is a right side view of the design embodiment shown in FIG. 1;  
FIG. 3 is a left side view of the design embodiment shown in FIG. 1;  
FIG. 4 is a bottom view of the design embodiment shown in FIG. 1; and,  
FIG. 5 is a top view of the design embodiment shown in FIG. 1.

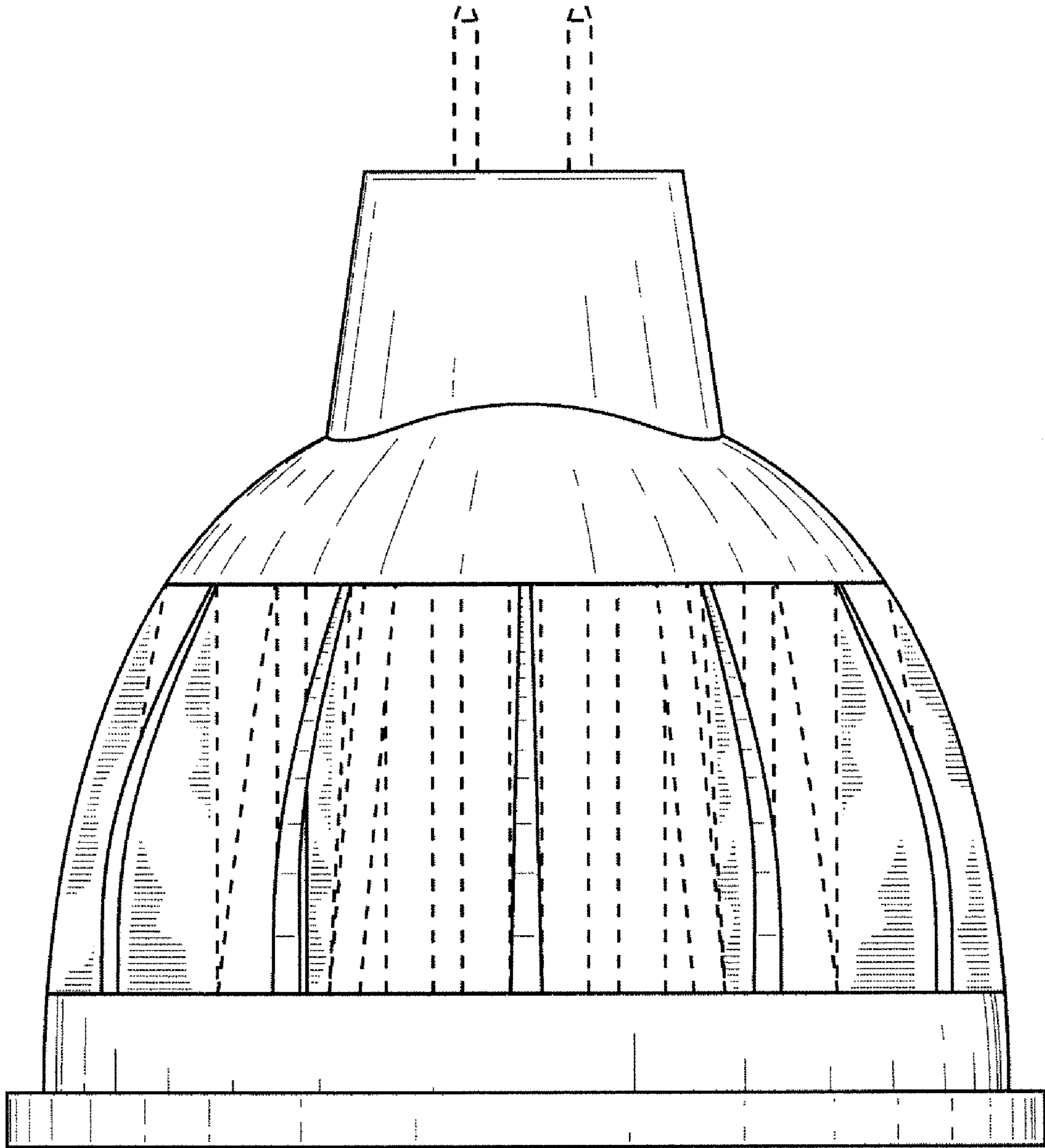
The subject matter shown in dashed lines, and any surfaces of the design not shown, including interior surfaces, form no part of the claimed invention.

**1 Claim, 5 Drawing Sheets**

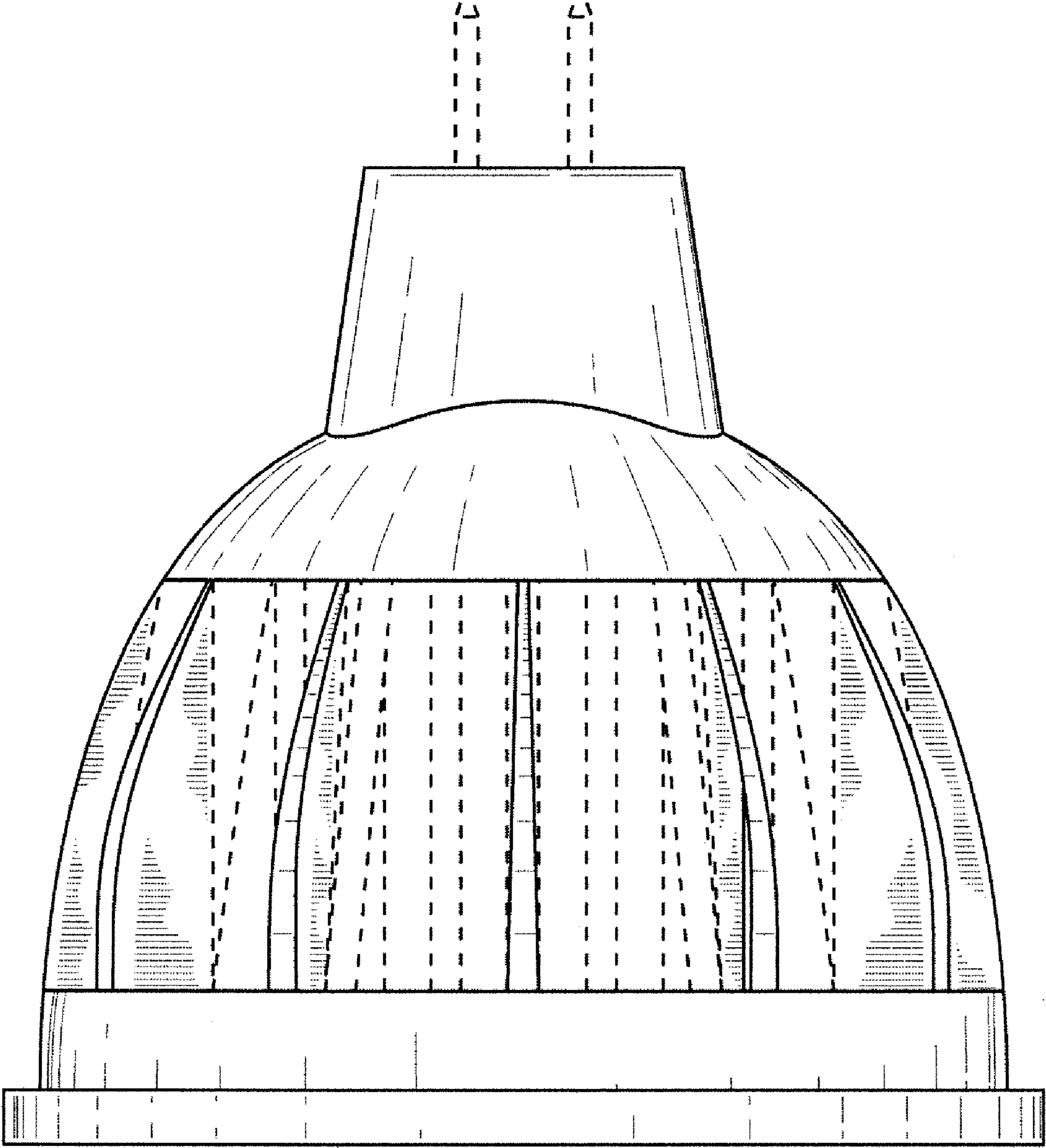




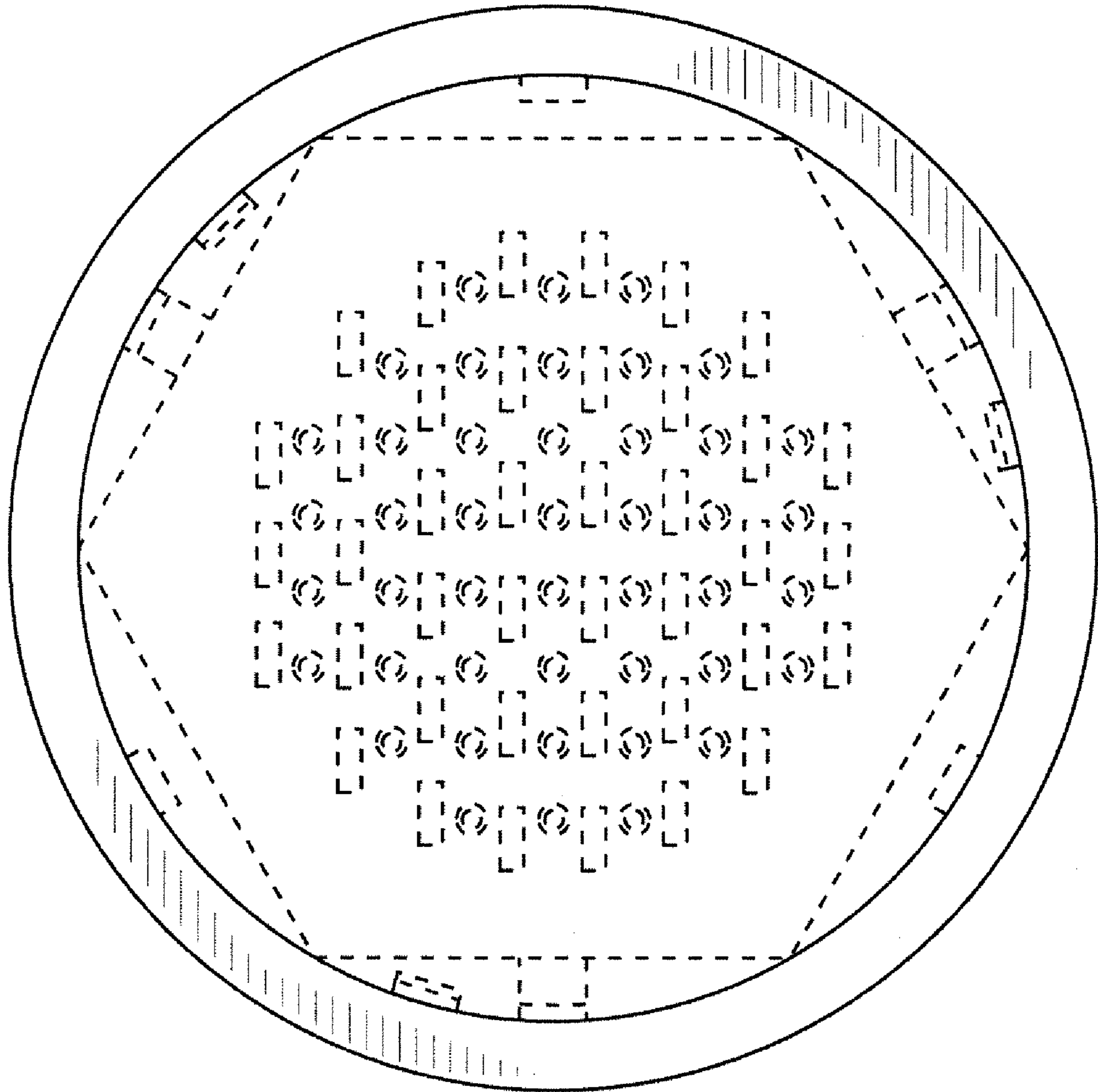
**FIG. 1**



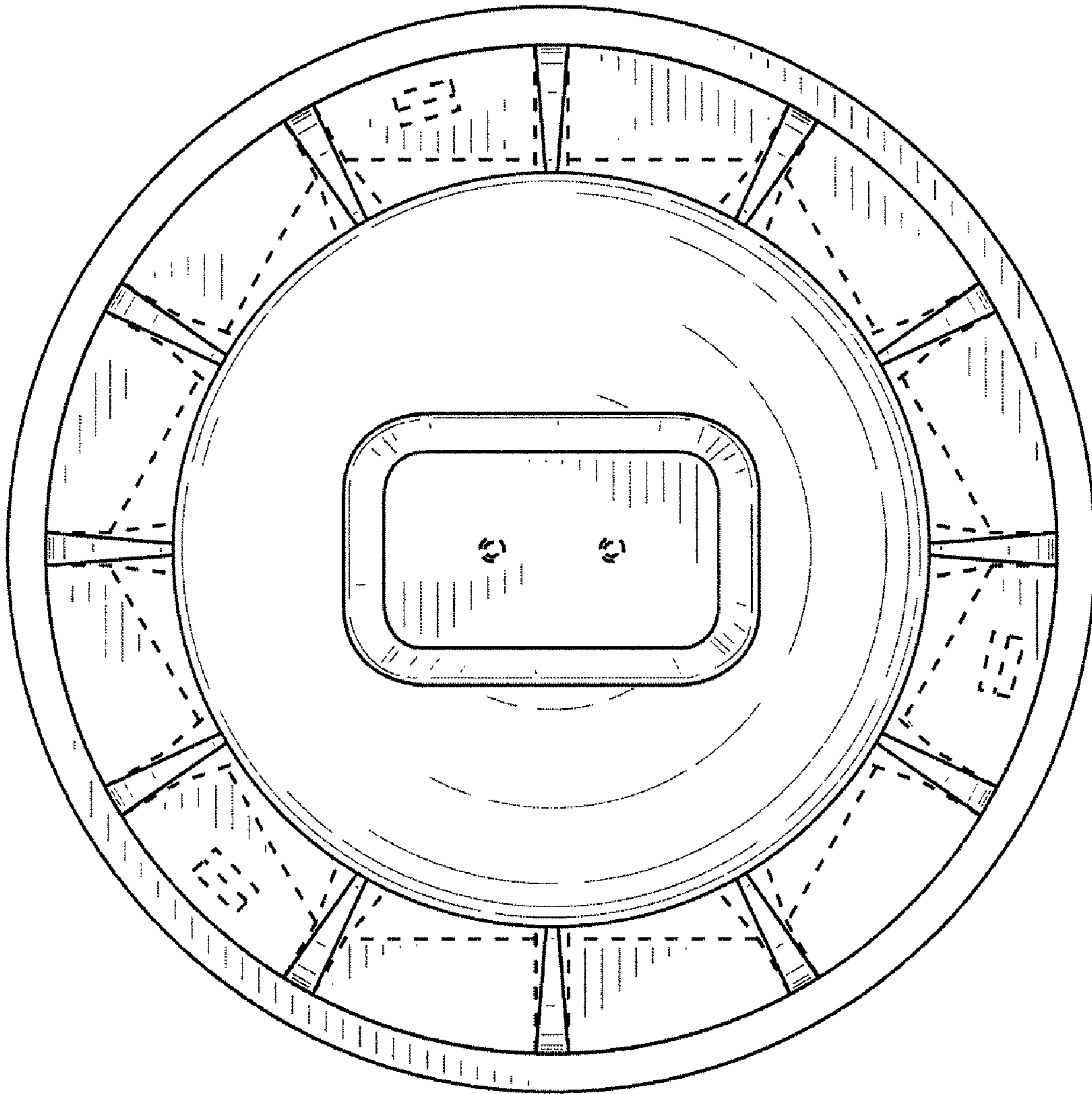
**FIG. 2**



**FIG. 3**



**FIG. 4**



**FIG. 5**