



US00D643945S

(12) **United States Design Patent**  
**Cook**

(10) **Patent No.:** **US D643,945 S**

(45) **Date of Patent:** **\*\* Aug. 23, 2011**

(54) **LED LIGHTING MODULE**

(75) Inventor: **William V. Cook**, Winter Haven, FL  
(US)

(73) Assignee: **WyndSOR Lighting, LLC**, Winter Haven,  
FL (US)

(\*\*) Term: **14 Years**

(21) Appl. No.: **29/343,692**

(22) Filed: **Sep. 17, 2009**

(51) **LOC (9) Cl.** ..... **26-04**

(52) **U.S. Cl.** ..... **D26/1**

(58) **Field of Classification Search** ..... D26/1-4;  
313/313, 315, 316, 317, 318, 493; 315/52,  
315/53, 56, 57, 58

See application file for complete search history.

7,488,093	B1	2/2009	Huang et al.	
7,494,248	B2	2/2009	Li	
7,505,268	B2	3/2009	Schick	
7,540,636	B2	6/2009	Lai et al.	
7,540,761	B2	6/2009	Weber et al.	
7,547,124	B2	6/2009	Chang et al.	
D607,126	S *	12/2009	Sakai et al.	D26/1
D625,847	S *	10/2010	Maglica	D26/1
D634,863	S *	3/2011	Leung	D26/1
2009/0086491	A1	4/2009	Ruud et al.	
2009/0147522	A1	6/2009	Shuai et al.	
2009/0168416	A1	7/2009	Zhang et al.	

\* cited by examiner

*Primary Examiner* — Marcus Jackson

(74) *Attorney, Agent, or Firm* — GrayRobinson, PA

(57) **CLAIM**

The ornamental design for a LED lighting module, as shown and described.

**DESCRIPTION**

FIG. 1 is a top perspective view of a preferred embodiment thereof;

FIG. 2 is a bottom perspective view of the embodiment of FIG. 1;

FIG. 3 is a front elevational view of the embodiment of FIG. 1;

FIG. 4 is a rear elevational view of the embodiment of FIG. 1;

FIG. 5 is a right side elevational view of the embodiment of FIG. 1;

FIG. 6 is a left elevational view of the embodiment of FIG. 1;

FIG. 7 is a top plan view of the embodiment of FIG. 1; and, FIG. 8 is a bottom plan view of the embodiment of FIG. 1.

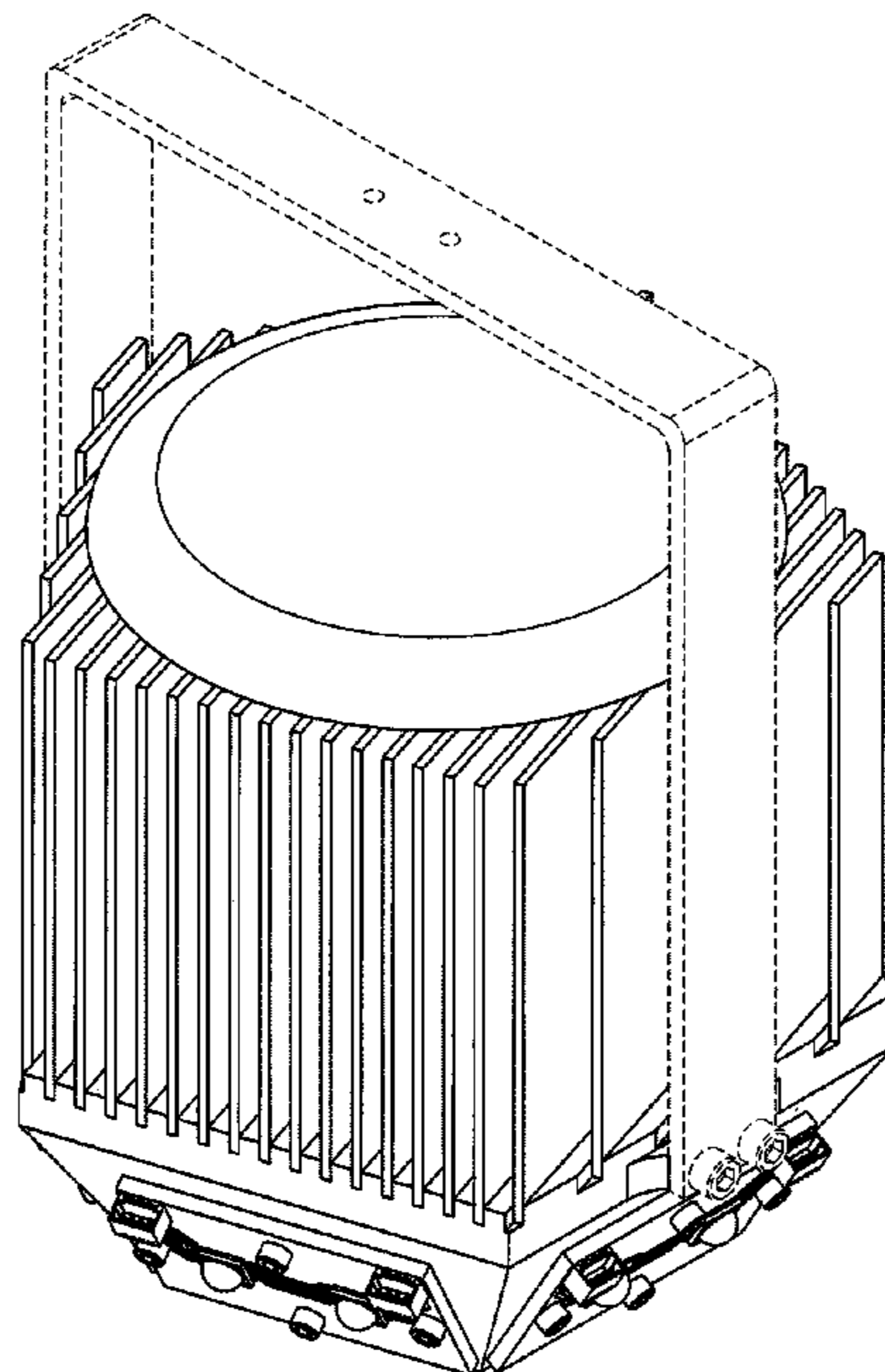
The broken line showing of the bracket is included for the purpose of illustrating only and forms no part of the claimed design.

**1 Claim, 8 Drawing Sheets**

(56) **References Cited**

**U.S. PATENT DOCUMENTS**

D420,455	S *	2/2000	Haba et al.	D26/1
6,213,622	B1	4/2001	Shimada et al.	
6,250,774	B1	6/2001	Begemann et al.	
6,416,200	B1	7/2002	George	
6,517,221	B1	2/2003	Xie	
6,784,357	B1	8/2004	Wang	
6,910,794	B2	6/2005	Rice	
6,942,361	B1	9/2005	Kishimura et al.	
6,976,769	B2	12/2005	McCullough et al.	
7,095,110	B2	8/2006	Arik et al.	
7,210,832	B2	5/2007	Huang	
7,314,291	B2	1/2008	Tain et al.	
7,329,030	B1	2/2008	Wang	
7,331,691	B2	2/2008	Livesay et al.	
7,413,326	B2	8/2008	Tain et al.	
7,438,440	B2	10/2008	Dorogi	
7,438,449	B2	10/2008	Lai et al.	
7,467,878	B2	12/2008	Li	



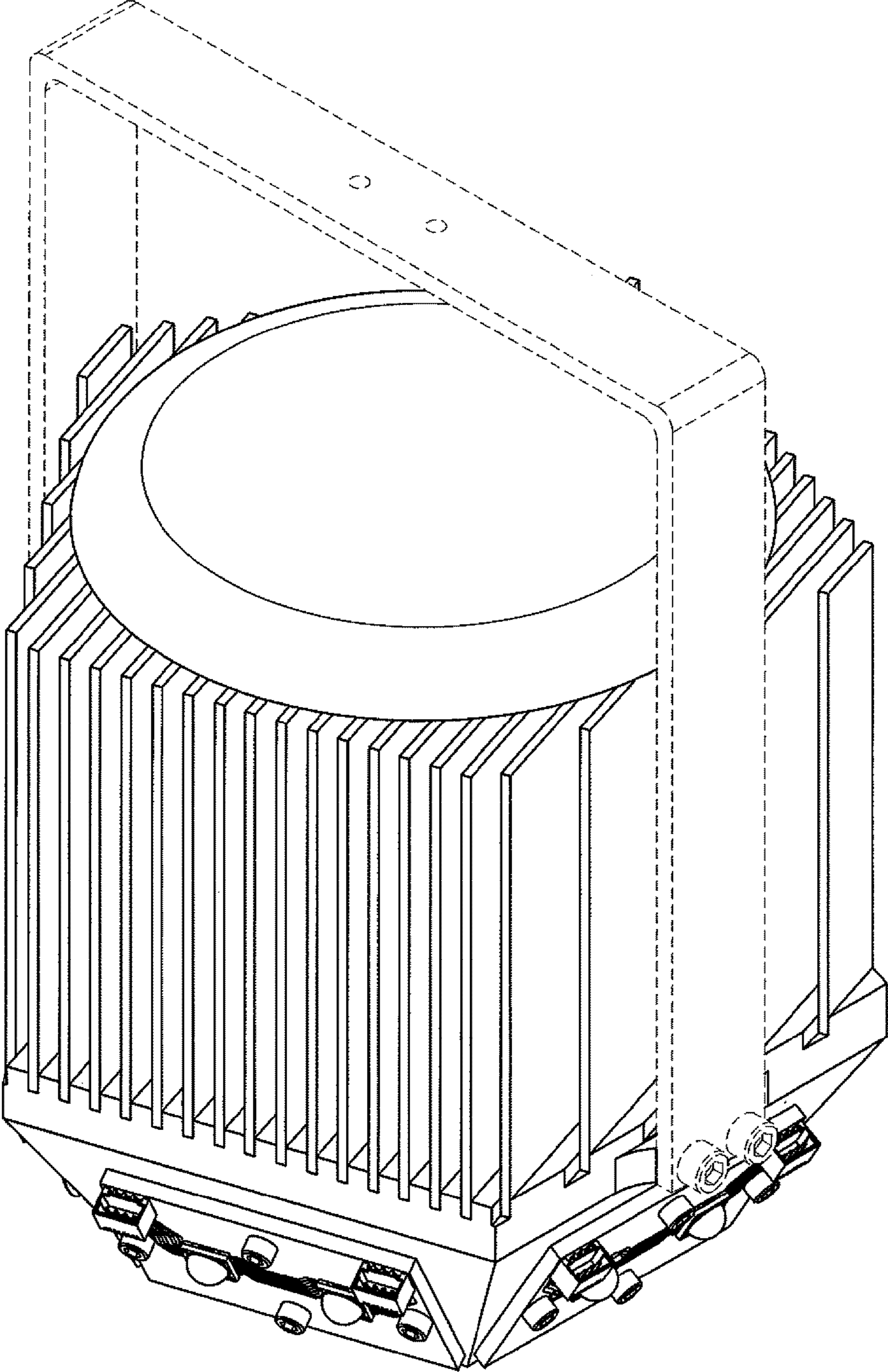


FIG. 1



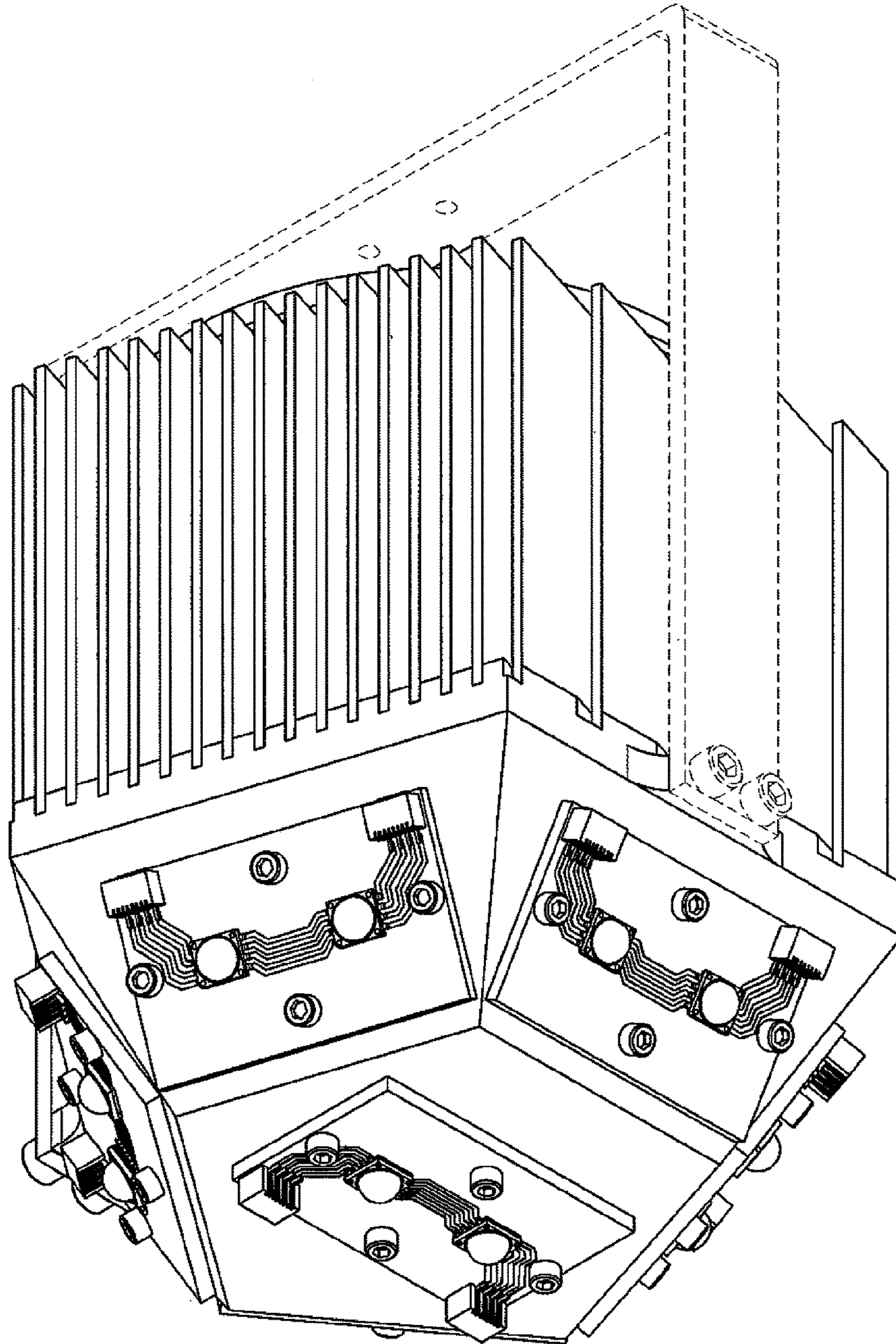


FIG. 2

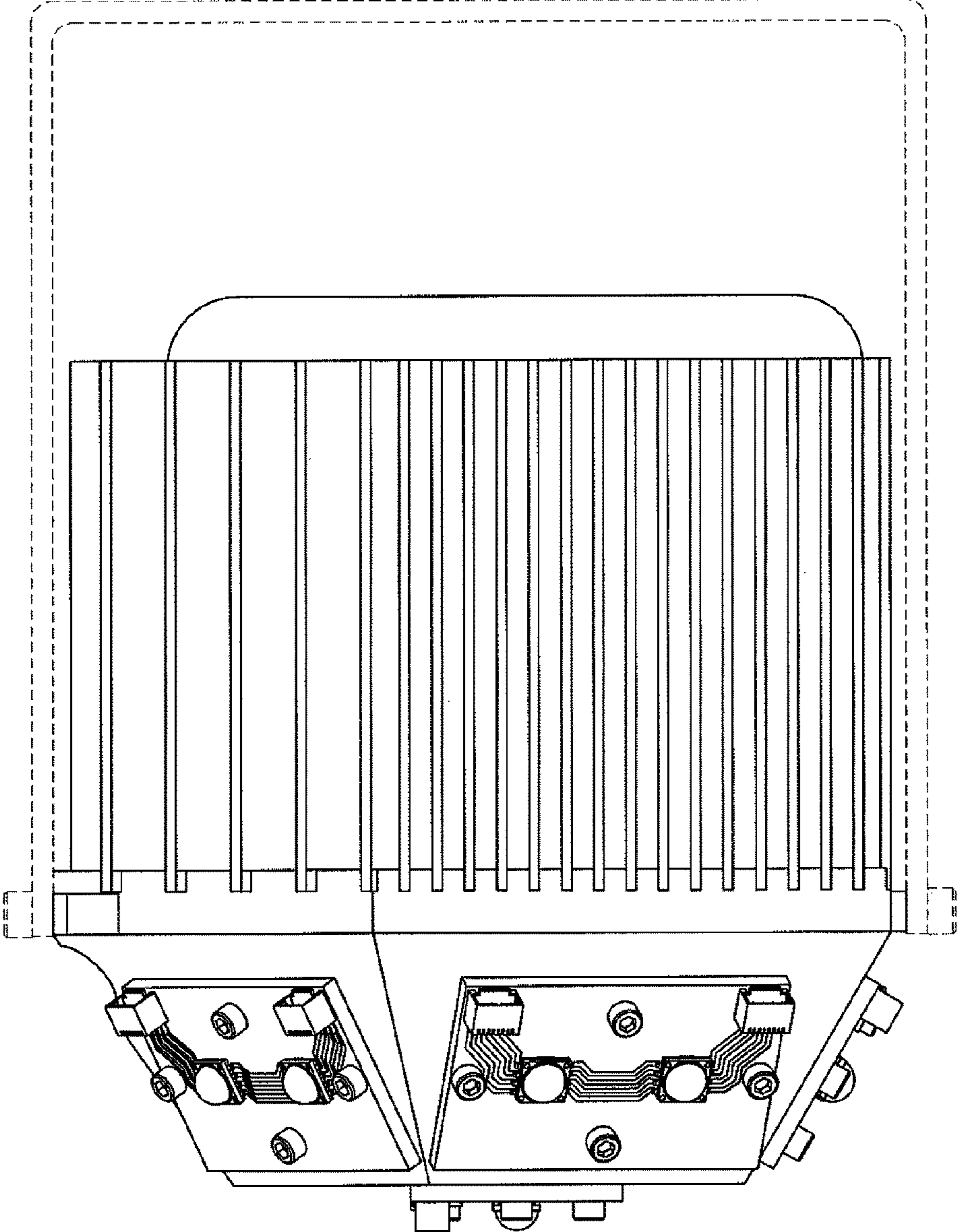


FIG. 3

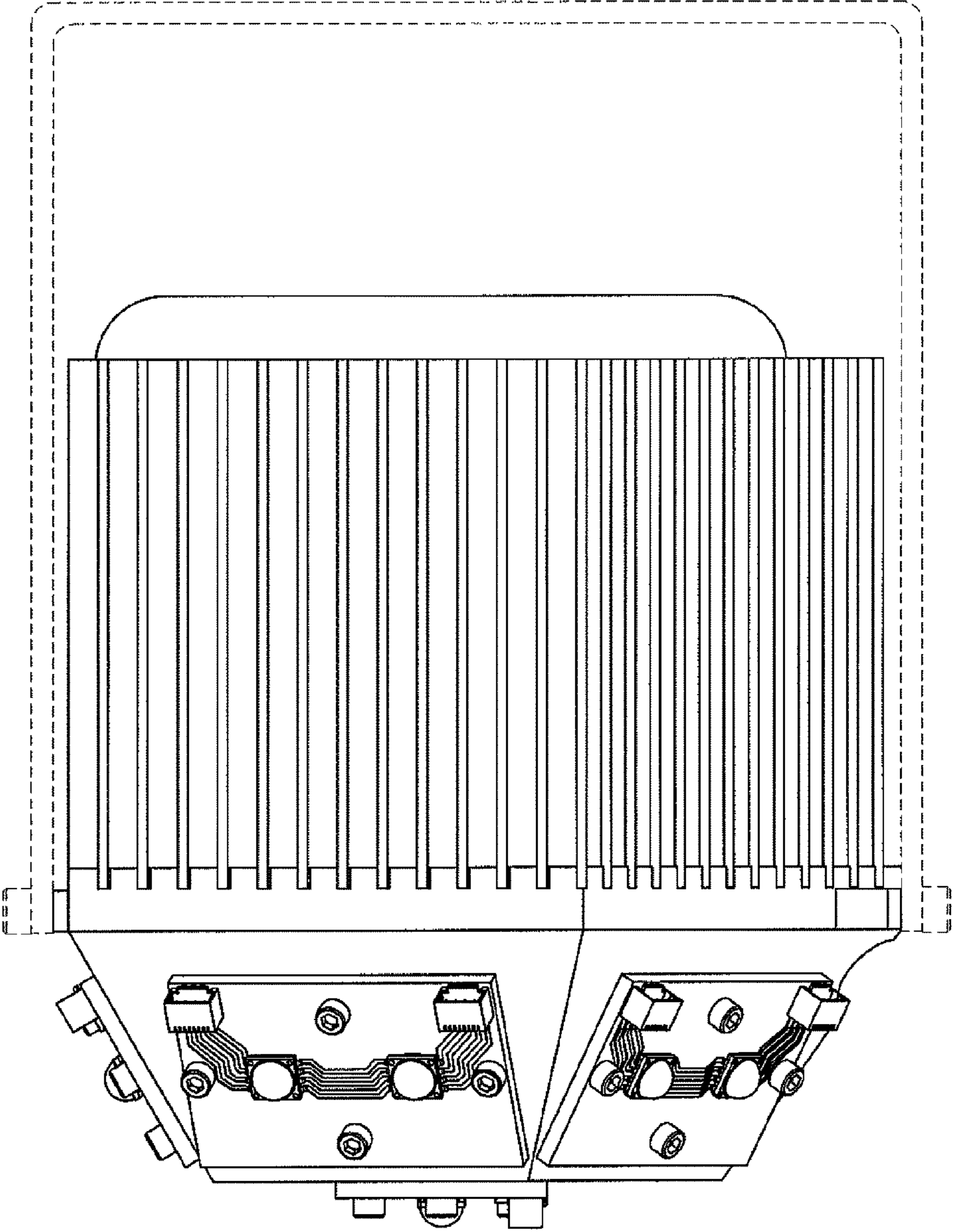


FIG. 4



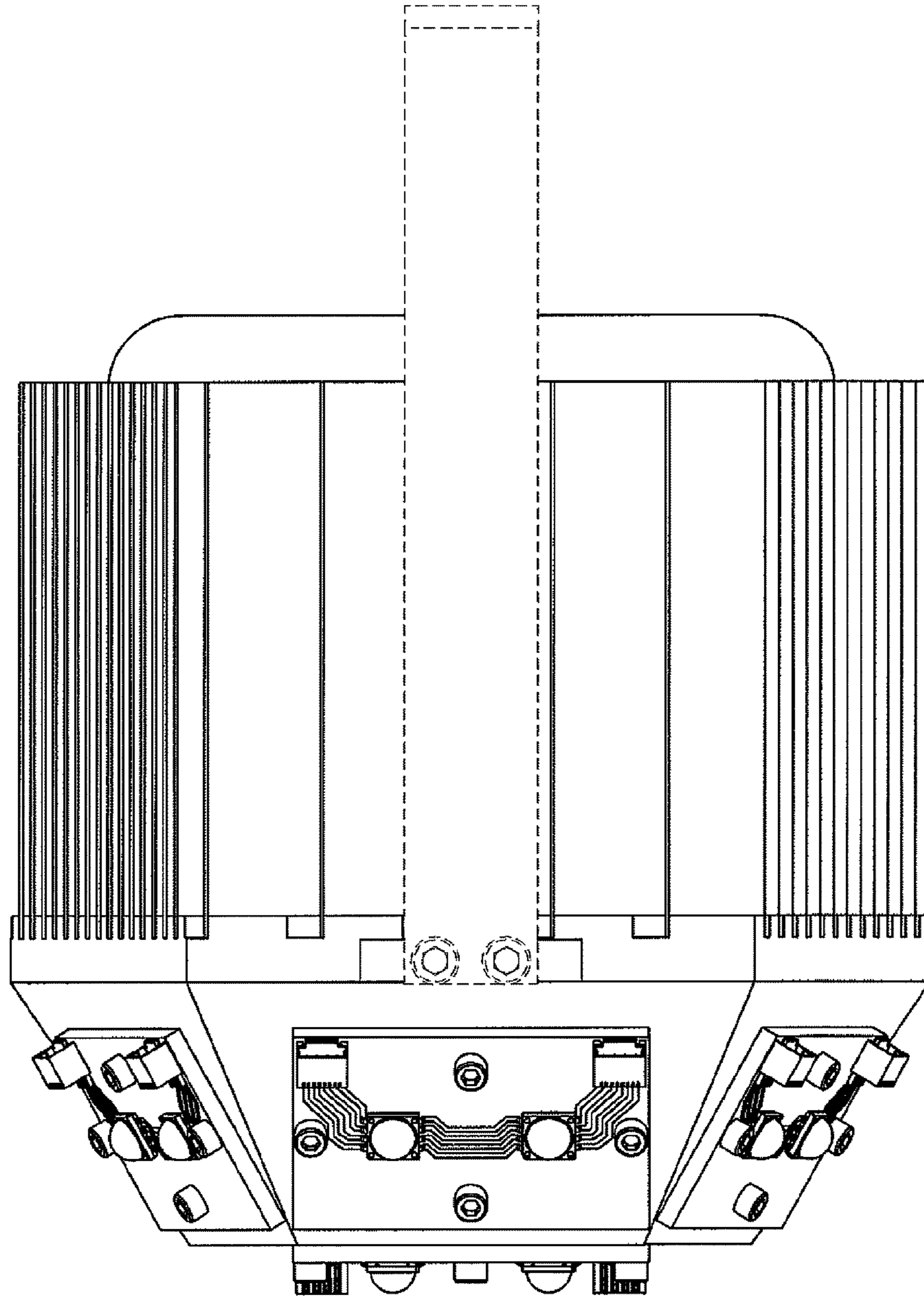


FIG. 5

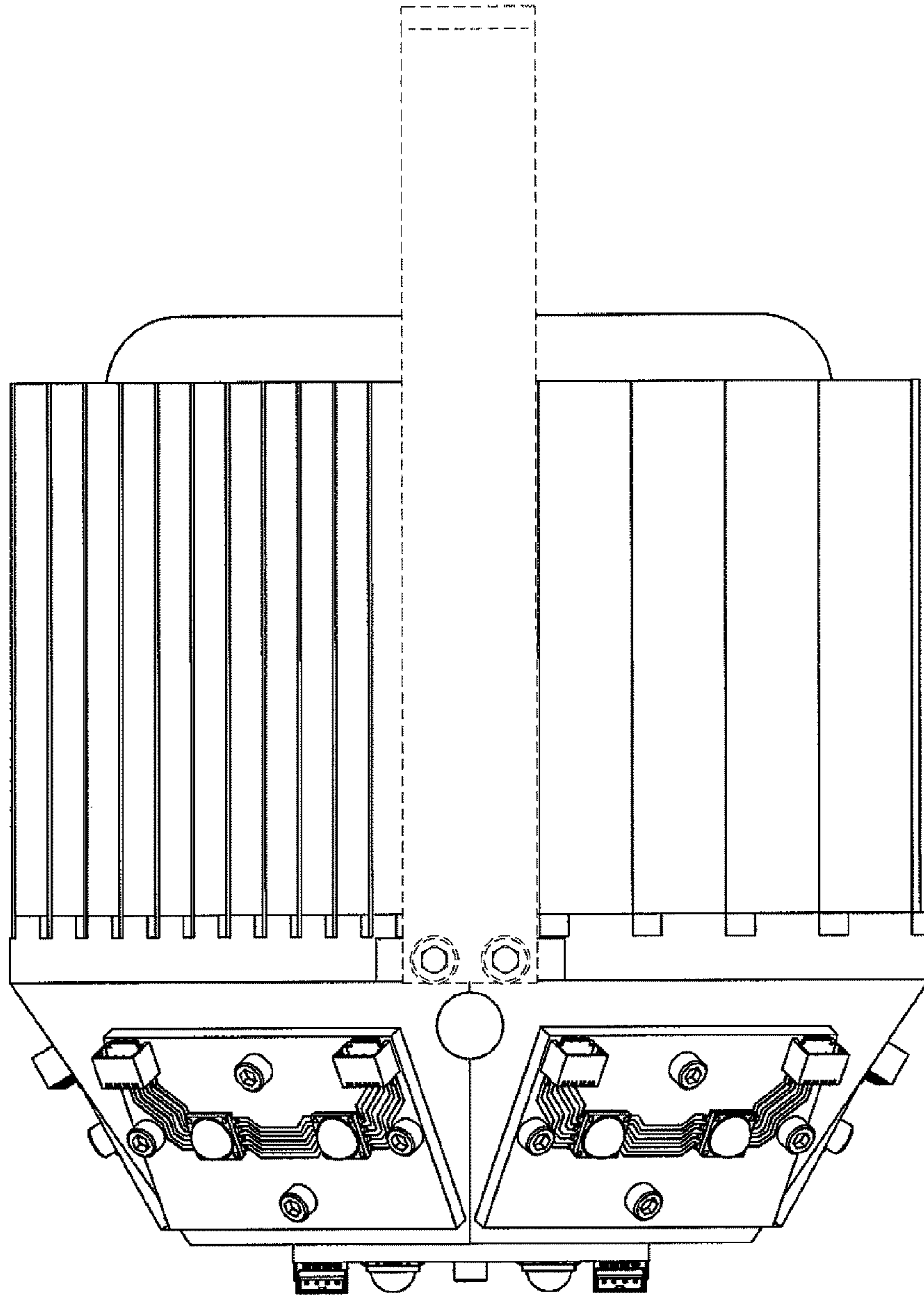


FIG. 6

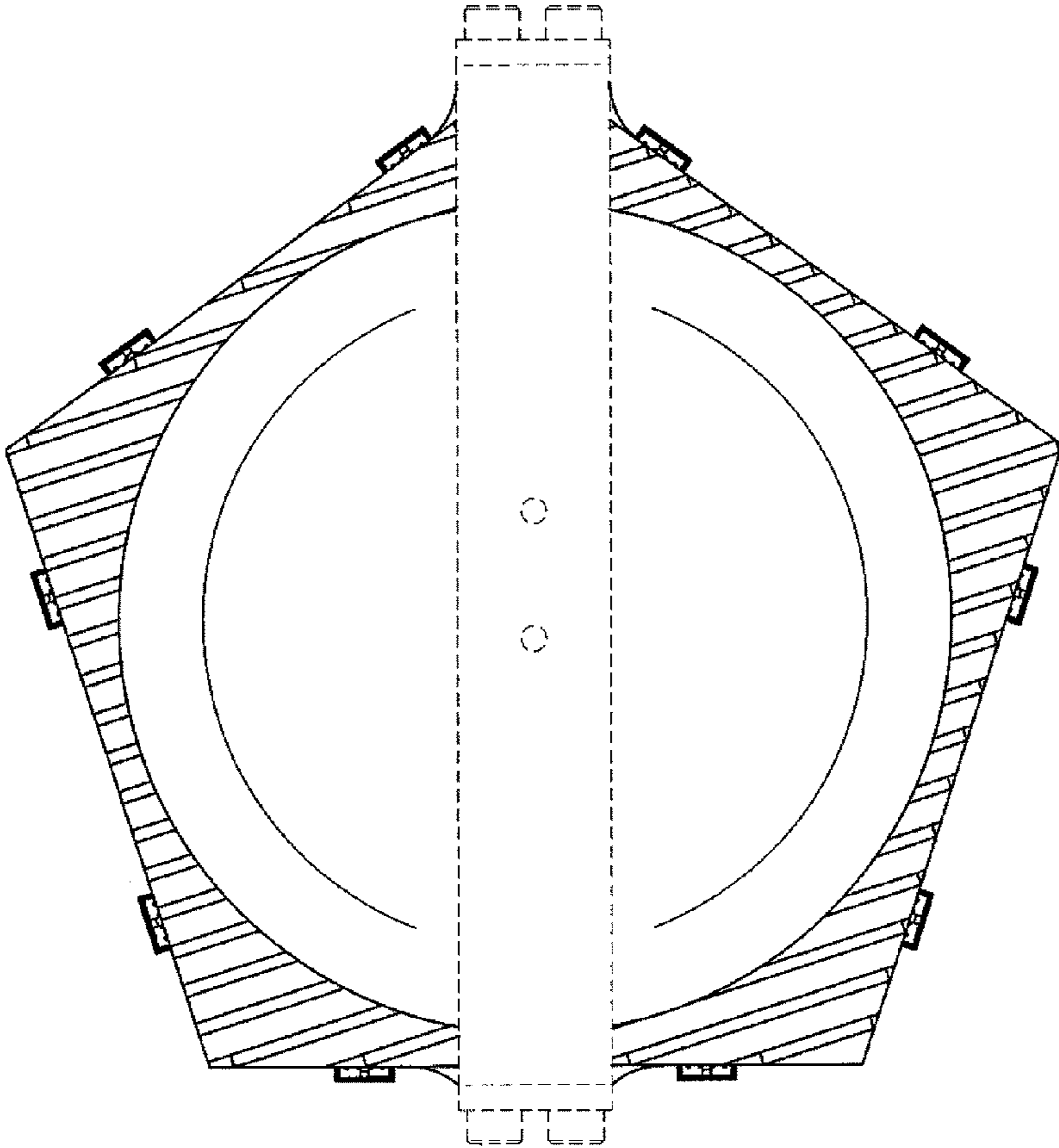


FIG. 7



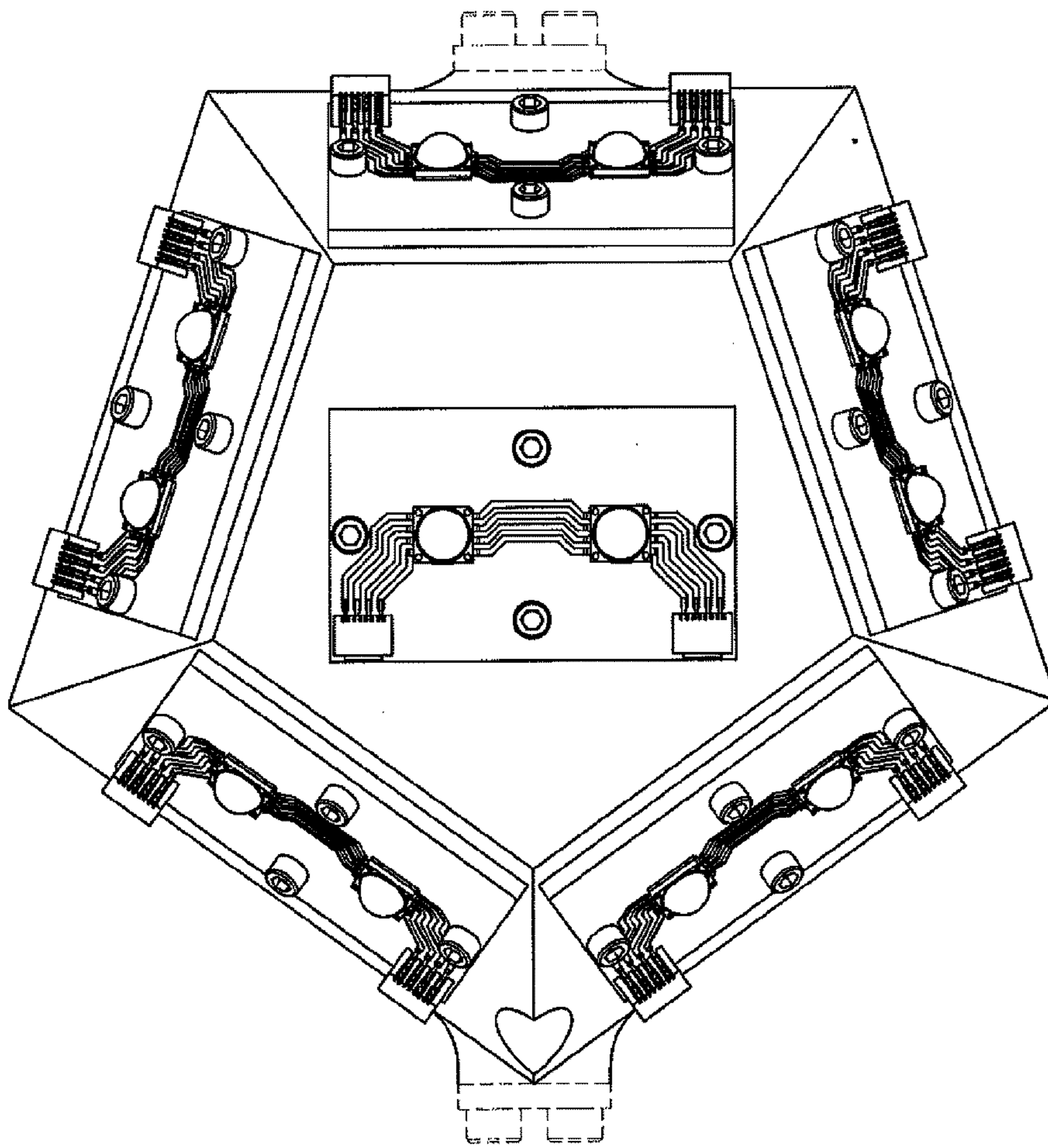


FIG. 8