



US00D643937S

(12) **United States Design Patent**  
**Boesch**

(10) **Patent No.:** **US D643,937 S**

(45) **Date of Patent:** **\*\* Aug. 23, 2011**

- (54) **SOLAR COLLECTING CARPORT**
- (75) Inventor: **Hans D. Boesch**, Laguna Niguel, CA (US)
- (73) Assignee: **PermaCity Solar, Inc.**, Long Beach, CA (US)
- (\*\*) Term: **14 Years**
- (21) Appl. No.: **29/380,123**
- (22) Filed: **Nov. 30, 2010**
- (51) **LOC (9) Cl.** ..... **25-03**
- (52) **U.S. Cl.** ..... **D25/56**
- (58) **Field of Classification Search** ..... D25/56,  
D25/1, 57, 18, 34, 16, 22; 52/63, 74, 73,  
52/66, 75, 78, 89

- D468,837 S \* 1/2003 Shilling et al. .... D25/56
- D511,576 S \* 11/2005 Shingleton et al. .... D25/56
- D595,865 S \* 7/2009 Magnusson ..... D25/56
- D611,405 S 3/2010 Mackler

\* cited by examiner

*Primary Examiner* — T. Chase Nelson

*Assistant Examiner* — Eric Goodman

(74) *Attorney, Agent, or Firm* — Norton R. Townsley;  
Belasco Jacobs & Townsley, LLP

See application file for complete search history.

(56) **References Cited**

U.S. PATENT DOCUMENTS

- 2,128,539 A \* 8/1938 Roach ..... 52/73
- D178,471 S \* 8/1956 Volk ..... D25/56
- D188,275 S \* 6/1960 Vetere ..... D25/57
- D192,464 S \* 3/1962 Selby ..... D25/56
- D193,471 S \* 8/1962 Baker ..... D25/56
- D196,637 S \* 10/1963 Christ-Janer ..... D25/1
- D225,051 S \* 11/1972 Smithhart ..... D25/56
- D363,790 S \* 10/1995 Boyd ..... D25/56
- D402,771 S \* 12/1998 Broudy ..... D25/56
- D408,554 S \* 4/1999 Dinwoodie ..... D25/56
- D452,328 S \* 12/2001 O'Brien ..... D25/56
- D456,085 S \* 4/2002 O'Brien ..... D25/56

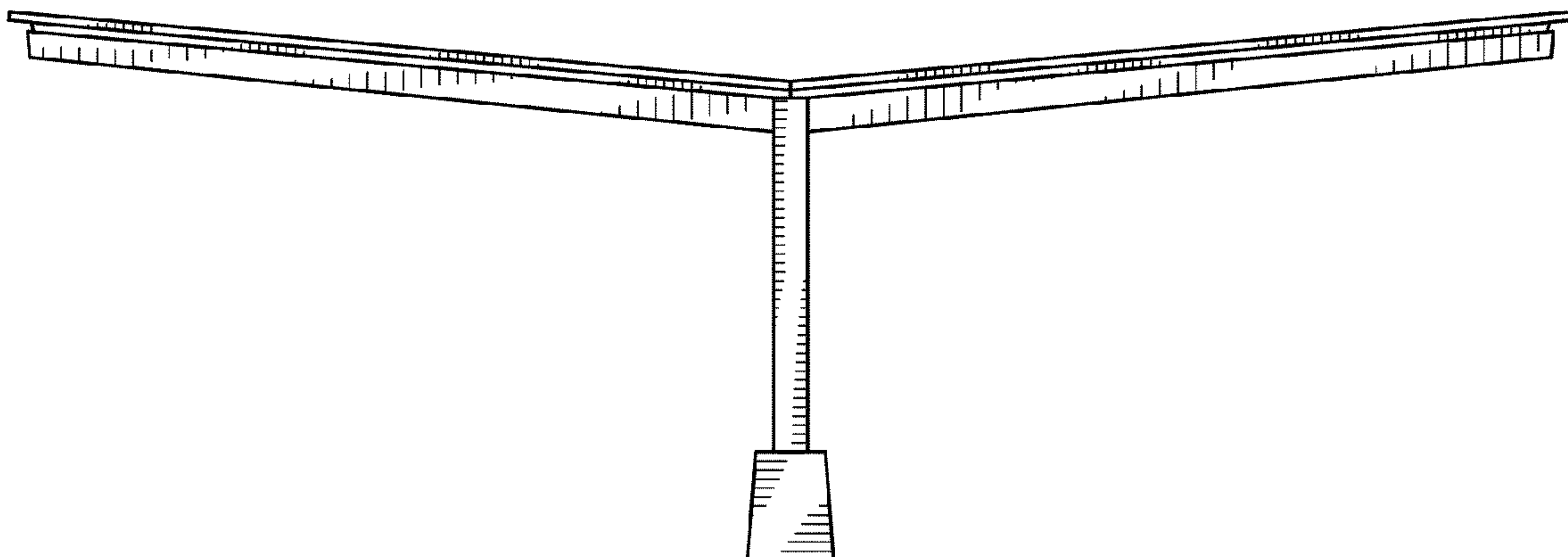
(57) **CLAIM**

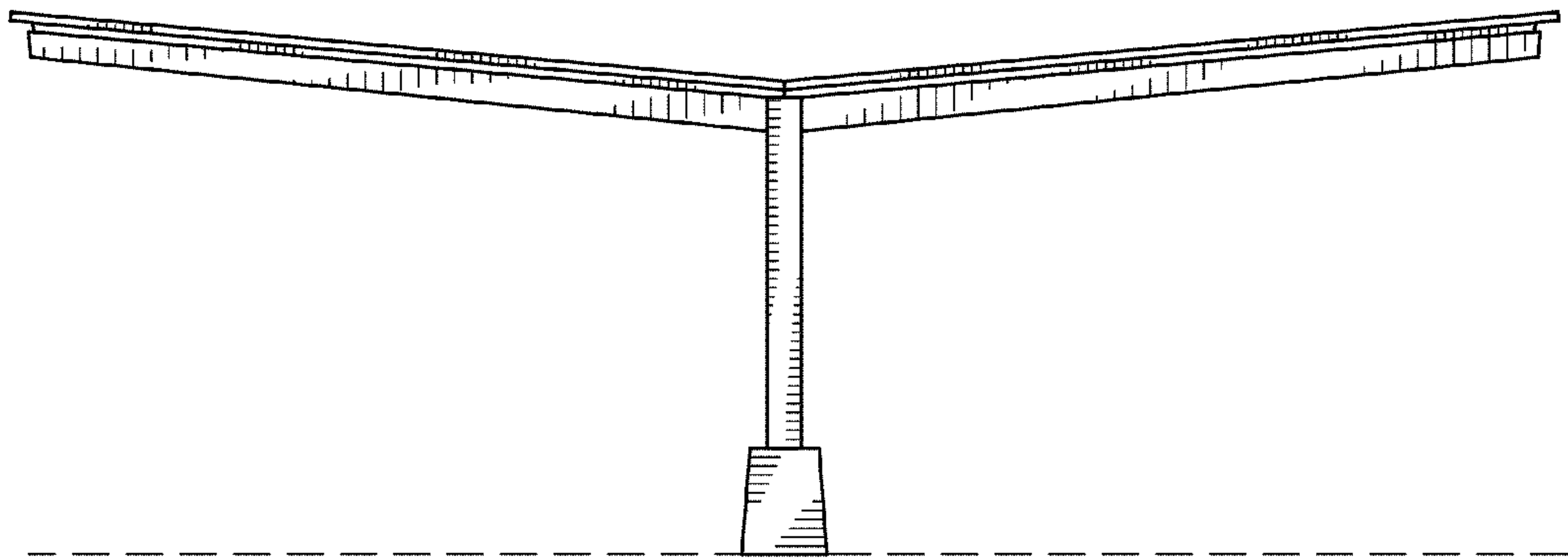
I claim the ornamental design for the solar collecting carport, as shown and described.

**DESCRIPTION**

FIG. 1 is a view from one end of my new design, the view from the other end being identical;  
 FIG. 2 is a view from one side thereof, the view from the other side being a mirror image of this view;  
 FIG. 3 is a perspective view from above one end thereof; and,  
 FIG. 4 is a perspective from below one end thereof.  
 The broken line showing of ground in FIGS. 1 and 2 is for the purpose of illustrating environment and forms no part of the claimed design. The broken line showing of the carport in FIGS. 2 through 4 is for the purpose of illustrating repeating units, and forms no part of claimed design. The carport is shown broken away to indicate that no particular length of carport is being claimed.

**1 Claim, 4 Drawing Sheets**





**FIG. 1**

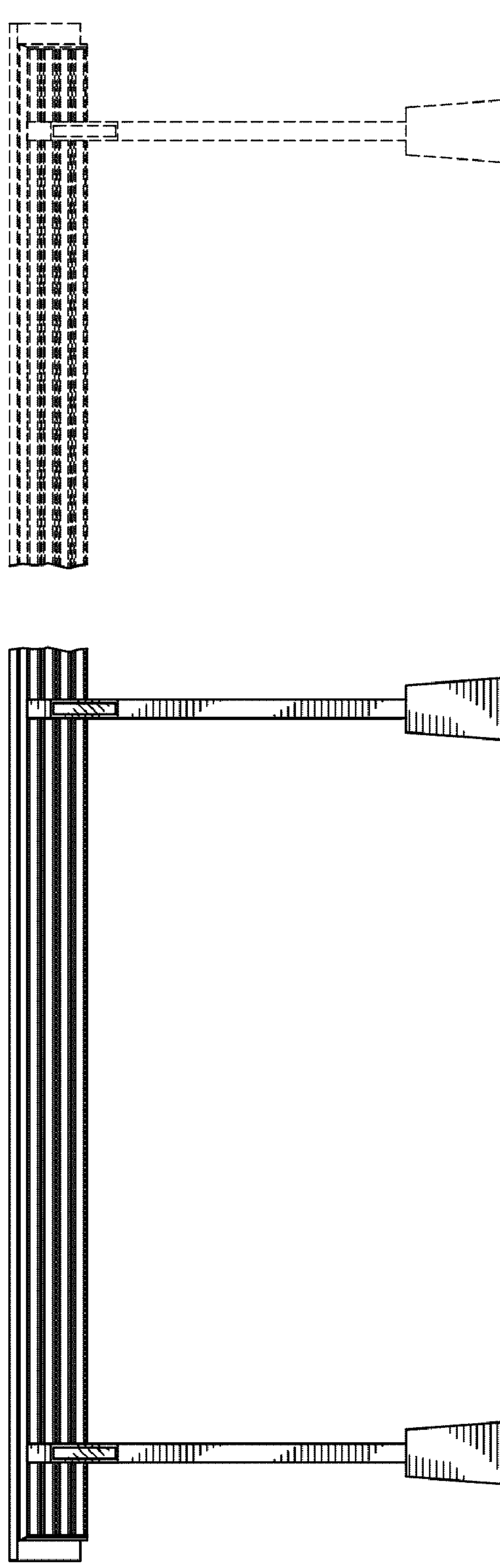


FIG. 2

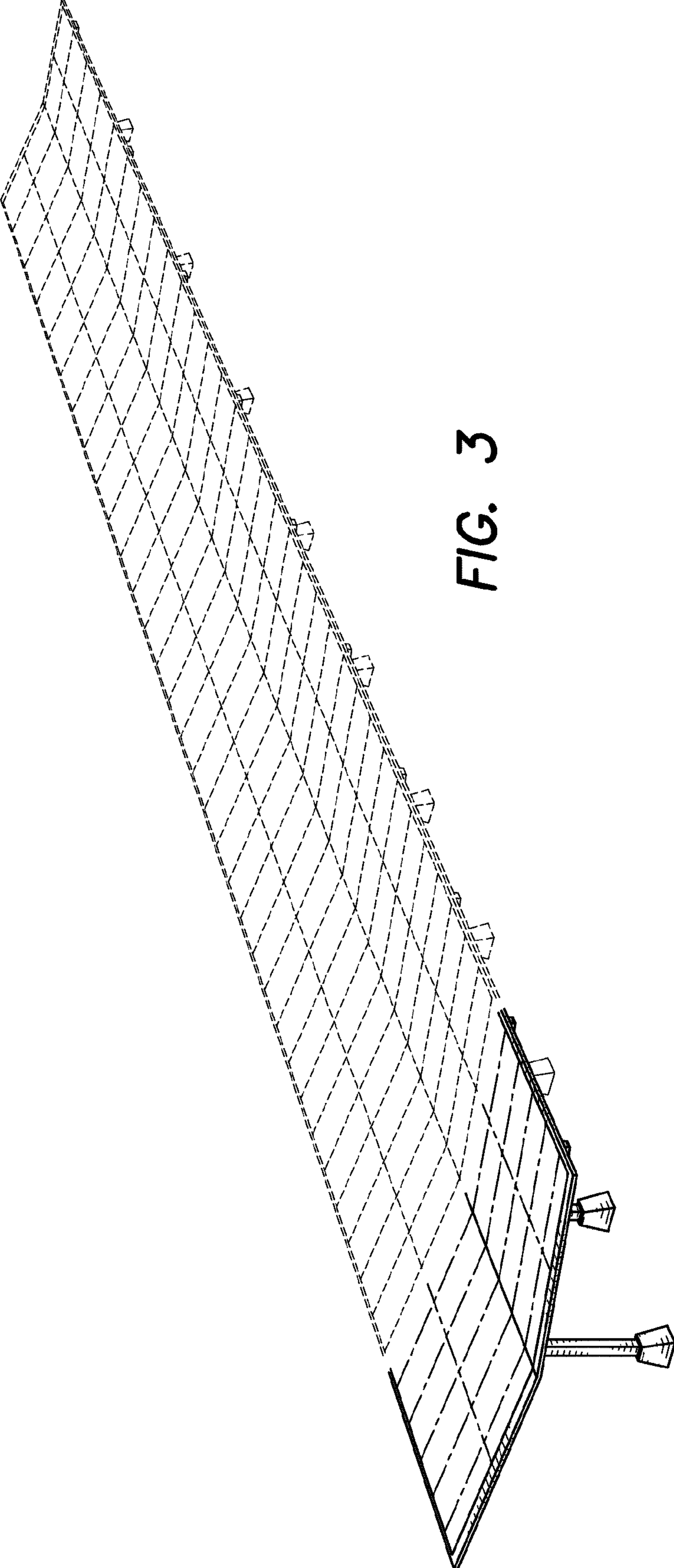


FIG. 3

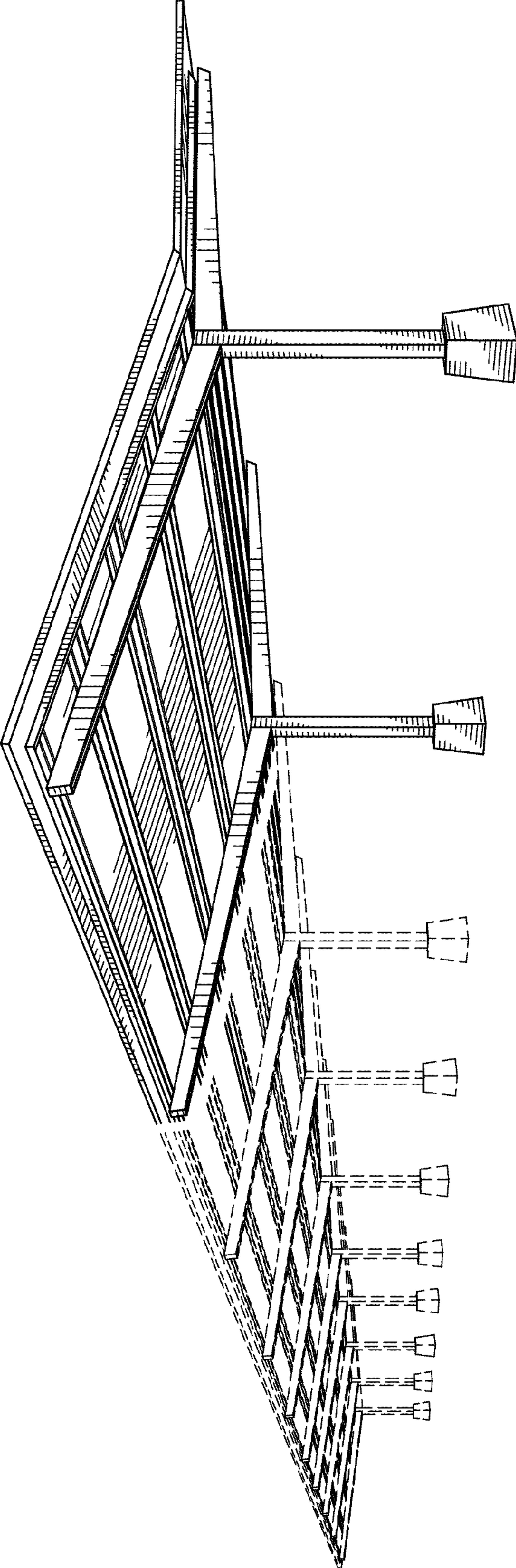


FIG. 4