



US00D643936S

(12) **United States Design Patent**
Oonuma et al.

(10) **Patent No.:** **US D643,936 S**

(45) **Date of Patent:** **** Aug. 23, 2011**

(54) **CONTROLLER FOR LIQUID
CHROMATOGRAPH ANALYZER**

(75) Inventors: **Mitsuru Oonuma**, Tokyo (JP); **Akira Omachi**, Komae (JP); **Kantaro Maruoka**, Hitachinaka (JP); **Shoji Tomida**, Hitachinaka (JP); **Tomohiro Shoji**, Hitachinaka (JP)

(73) Assignee: **Hitachi High-Technologies Corporation**, Tokyo (JP)

(**) Term: **14 Years**

(21) Appl. No.: **29/383,298**

(22) Filed: **Jan. 14, 2011**

(30) **Foreign Application Priority Data**

Sep. 17, 2010 (JP) 2010-022433

(51) **LOC (9) Cl.** **24-02**

(52) **U.S. Cl.** **D24/232**

(58) **Field of Classification Search** D24/107,
D24/186-187, 216, 231-232; D10/75, 81,
D10/103; 210/198.2, 656, 402.02, 657;
250/281-288, 427, 292, 294, 382, 384, 385;
422/70, 99-102; 530/350, 162

See application file for complete search history.

(56) **References Cited**

U.S. PATENT DOCUMENTS

D390,666 S * 2/1998 Lagerlof D24/186
D414,870 S * 10/1999 Saltzstein et al. D24/186
D426,204 S * 6/2000 Maio et al. D24/186
D458,252 S * 6/2002 Palm et al.
D490,516 S * 5/2004 Takahashi et al. D24/107
D569,001 S * 5/2008 Omaki D24/186

D569,521 S * 5/2008 Omaki D24/186
D571,014 S * 6/2008 Schwanitz D24/186
D590,509 S * 4/2009 Costa D24/186
D598,109 S * 8/2009 Collins et al. D24/186
D606,659 S * 12/2009 Kiani et al. D24/186
D608,451 S * 1/2010 Hanoun D24/186
D608,452 S * 1/2010 Huang D24/186
D612,503 S * 3/2010 Johnston et al. D24/186
D613,411 S * 4/2010 Collins et al. D24/186
D621,515 S * 8/2010 Chua et al. D24/186
D622,856 S * 8/2010 Ramsey D24/186
D622,857 S * 8/2010 Ramsey D24/186

FOREIGN PATENT DOCUMENTS

JP D 1284762 10/2006

* cited by examiner

Primary Examiner — T. Chase Nelson

Assistant Examiner — Mark Cavanna

(74) *Attorney, Agent, or Firm* — Antonelli, Terry, Stout & Kraus, LLP.

(57) **CLAIM**

We claim the ornamental design for a controller for liquid chromatograph analyzer, as shown and described.

DESCRIPTION

FIG. 1 is a front, top and right side perspective view of a controller for liquid chromatograph analyzer showing our new design;

FIG. 2 is a front elevational view thereof;

FIG. 3 is a rear elevational view thereof;

FIG. 4 is a top plan view thereof;

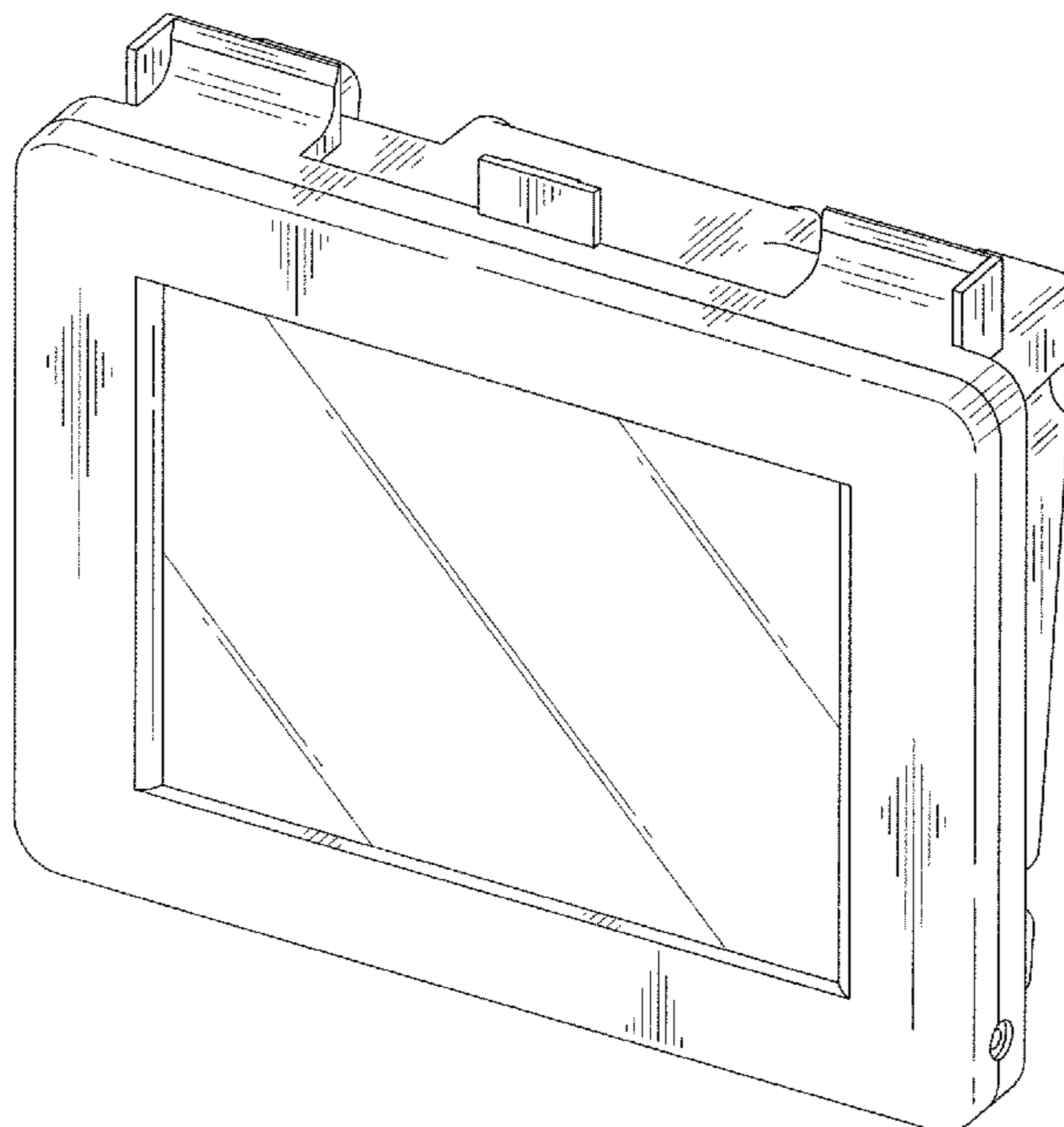
FIG. 5 is a bottom plan view thereof;

FIG. 6 is a left side elevational view thereof; and,

FIG. 7 is a right side elevational view thereof.

The broken lines shown are for illustrative purposes only and form no part of the claimed design.

1 Claim, 4 Drawing Sheets



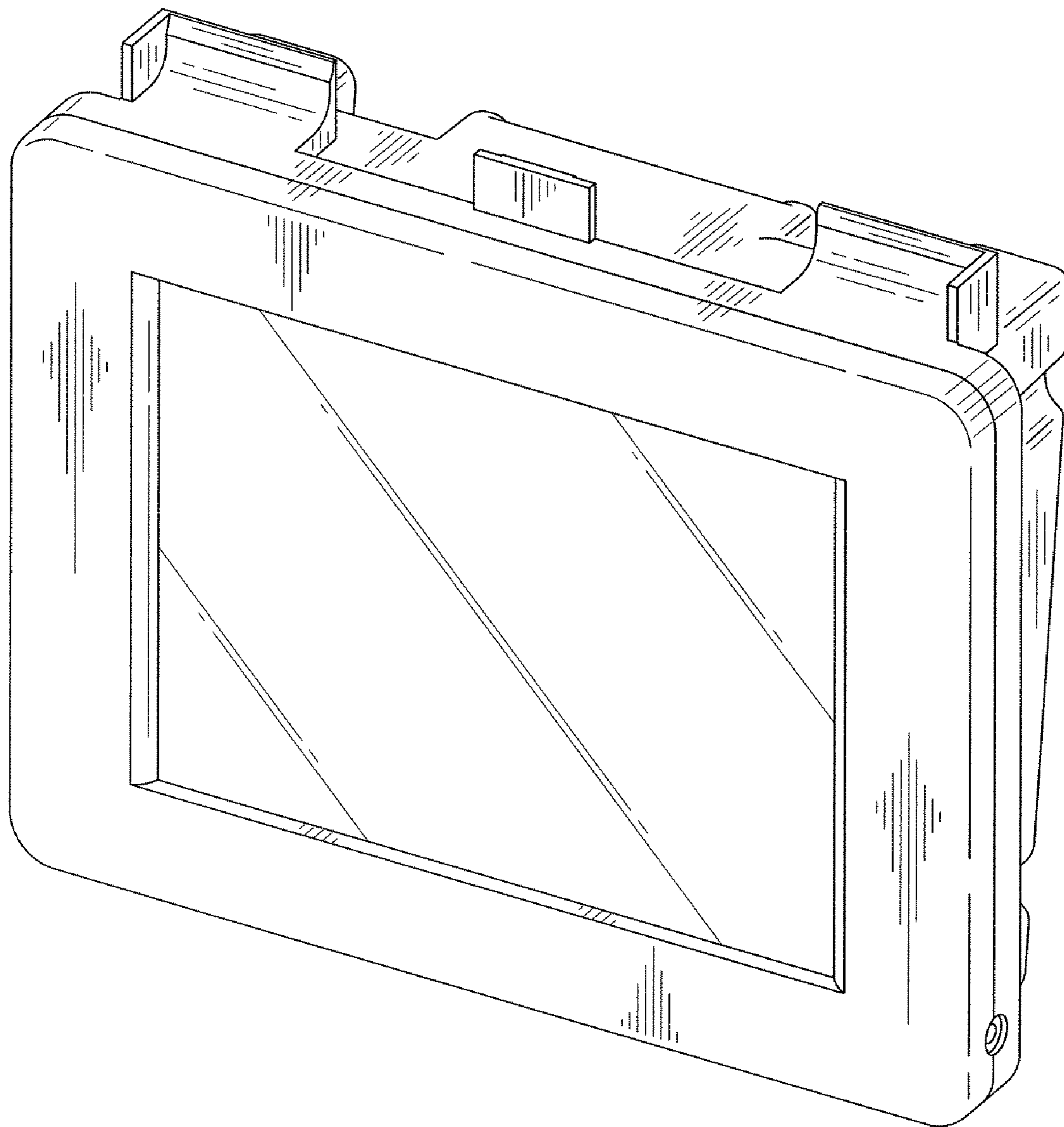


FIG. 1

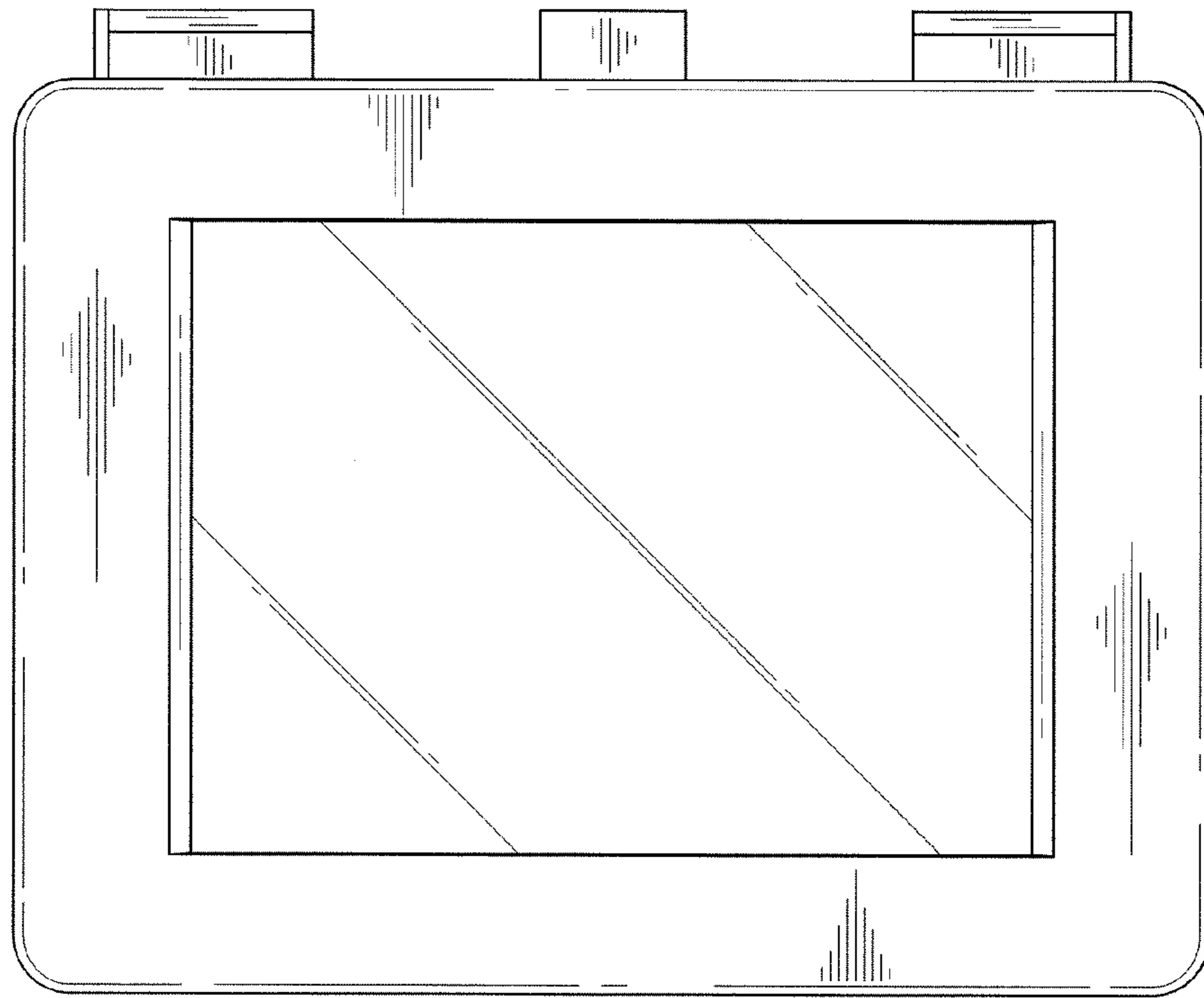


FIG. 2

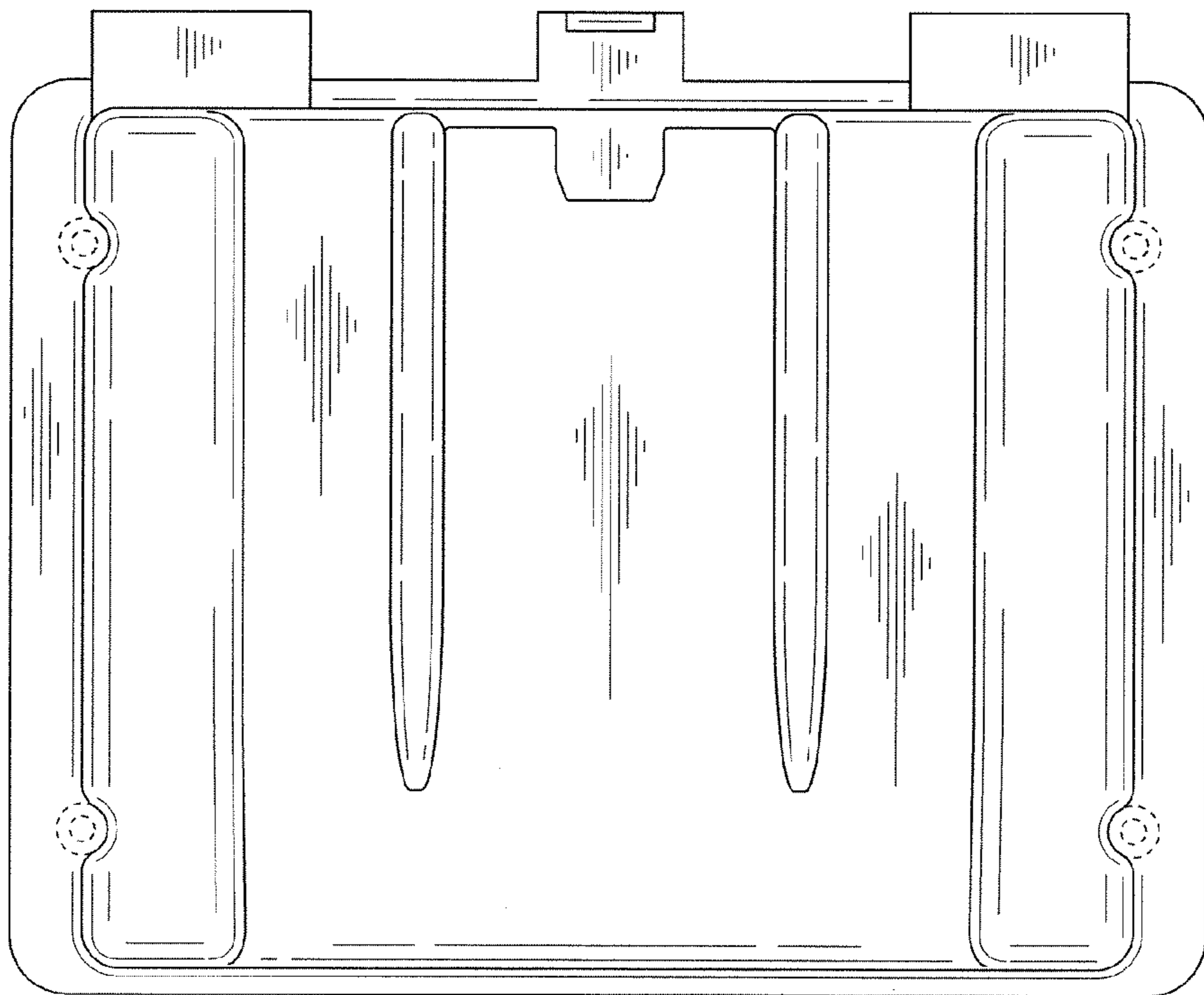


FIG. 3

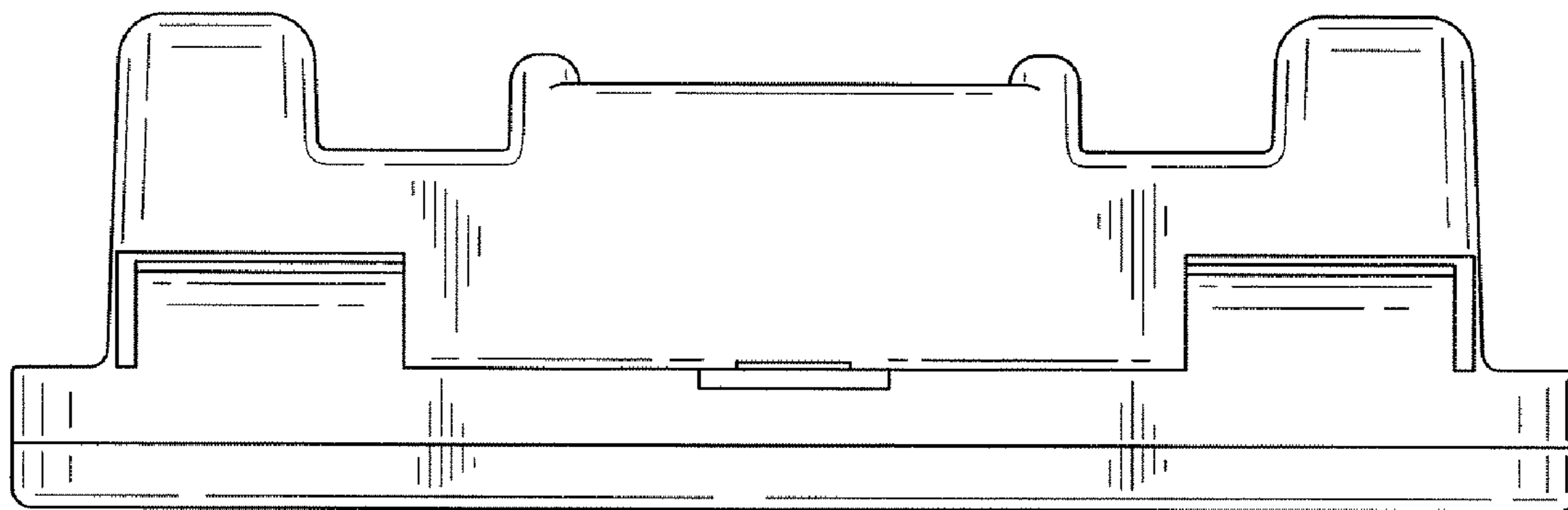


FIG. 4

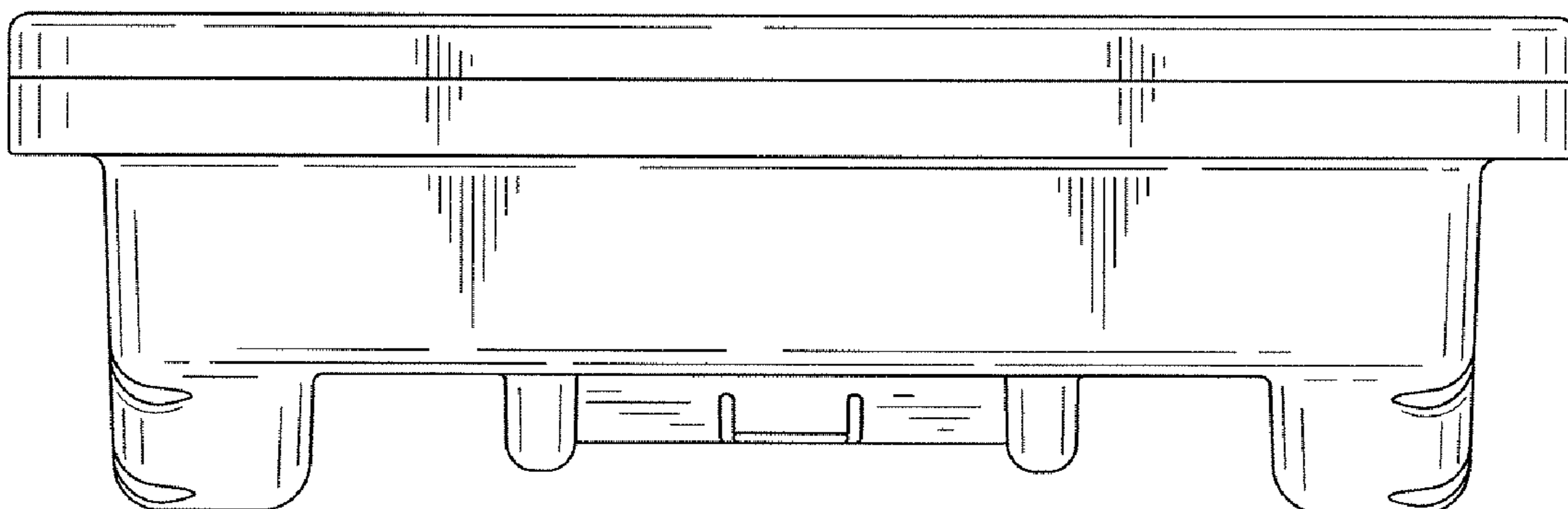


FIG. 5

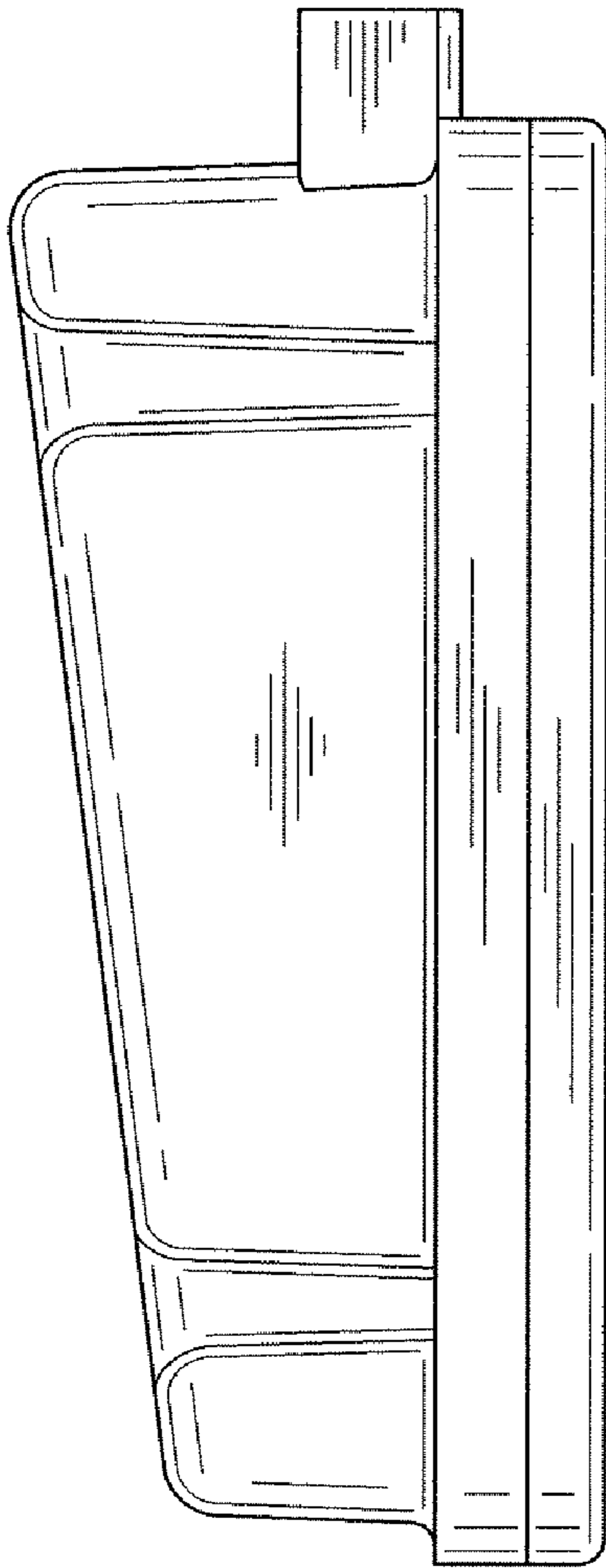


FIG. 6

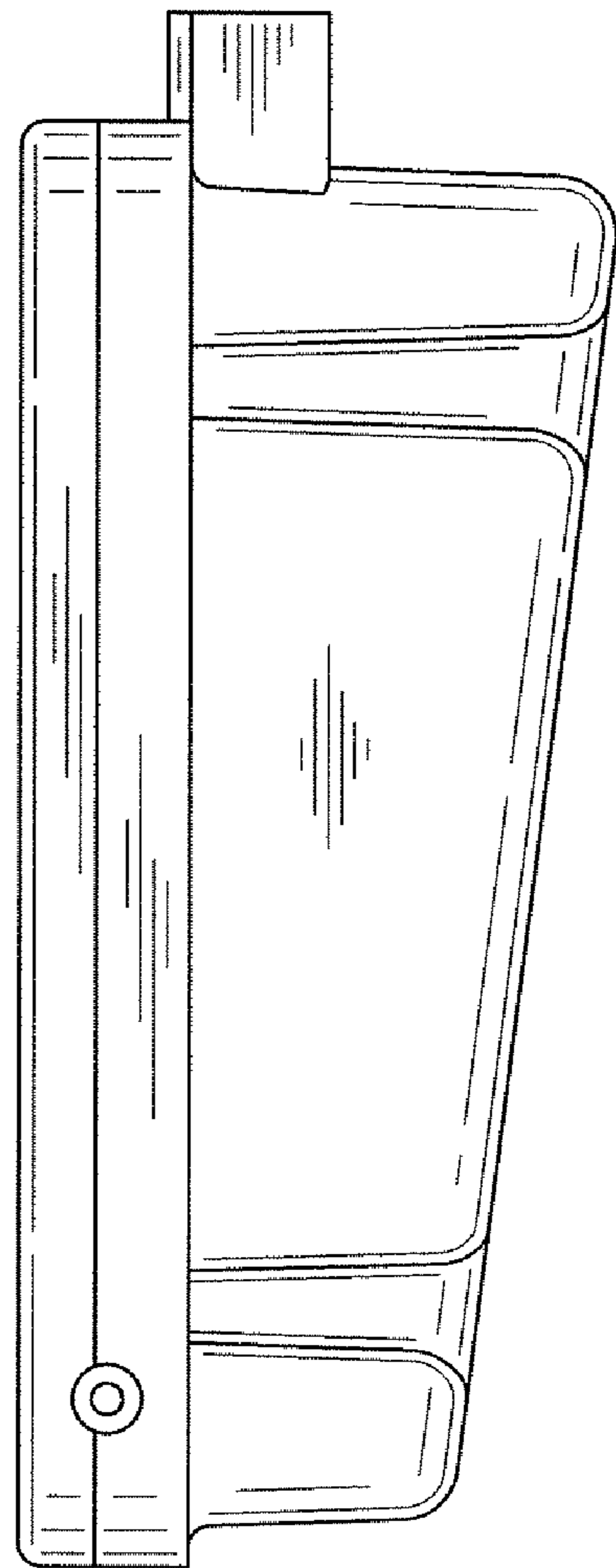


FIG. 7