



US00D643933S

(12) **United States Design Patent**
Watabe

(10) **Patent No.:** **US D643,933 S**

(45) **Date of Patent:** **** Aug. 23, 2011**

(54) **MESSAGE DEVICE FOR FACE SKIN**

Primary Examiner — Sandra Snapp

(75) Inventor: **Kousuke Watabe**, Tokyo (JP)

(74) *Attorney, Agent, or Firm* — Manabu Kanesaka

(73) Assignee: **Shiseido Co., Ltd.**, Chuo-Ku, Tokyo (JP)

(**) Term: **14 Years**

(57) **CLAIM**

(21) Appl. No.: **29/371,413**

The ornamental design for a massage device for face skin, as shown and described.

(22) Filed: **Feb. 17, 2011**

(51) **LOC (9) Cl.** **28-03**

(52) **U.S. Cl.** **D24/214**

(58) **Field of Classification Search** D24/200,
D24/211–215; 601/118, 120, 121, 124, 125,
601/130, 131, 134–137

See application file for complete search history.

DESCRIPTION

FIG. 1 is a perspective view of a massage device for face skin showing my new design;

FIG. 2 is a front view thereof; a rear view being identical to the front view;

FIG. 3 is a plan view thereof;

FIG. 4 is a bottom view thereof;

FIG. 5 is a right side view thereof; a left side view being identical to the right side view;

FIG. 6 is an end cross-sectional view thereof taken along line 6-6 in FIG. 2;

FIG. 7 is an end cross-sectional view thereof taken along line 7-7 in FIG. 2;

FIG. 8 is an end cross-sectional view thereof taken along line 8-8 in FIG. 2; and,

FIG. 9 is an end cross-sectional view thereof taken along line 9-9 in FIG. 2.

(56) **References Cited**

U.S. PATENT DOCUMENTS

| | | | | |
|----------------|---------|----------------------|-------|---------|
| D279,126 S * | 6/1985 | Kaeser | | D24/211 |
| D347,898 S * | 6/1994 | Belcher | | D24/211 |
| D349,576 S * | 8/1994 | Heiligenstein et al. | | D24/211 |
| D349,771 S * | 8/1994 | Heiligenstein et al. | | D24/211 |
| D350,851 S * | 9/1994 | Spence, Jr. | | D4/104 |
| D357,984 S * | 5/1995 | Heck | | D24/211 |
| D381,754 S * | 7/1997 | Fani | | D24/200 |
| D398,401 S * | 9/1998 | Antoskow | | D24/211 |
| 6,725,863 B2 * | 4/2004 | Karpel | | 128/845 |
| D510,440 S * | 10/2005 | Huang | | D24/211 |
| D556,333 S * | 11/2007 | Hoffman et al. | | D24/206 |
| D566,286 S * | 4/2008 | Audet | | D24/200 |

* cited by examiner

1 Claim, 3 Drawing Sheets

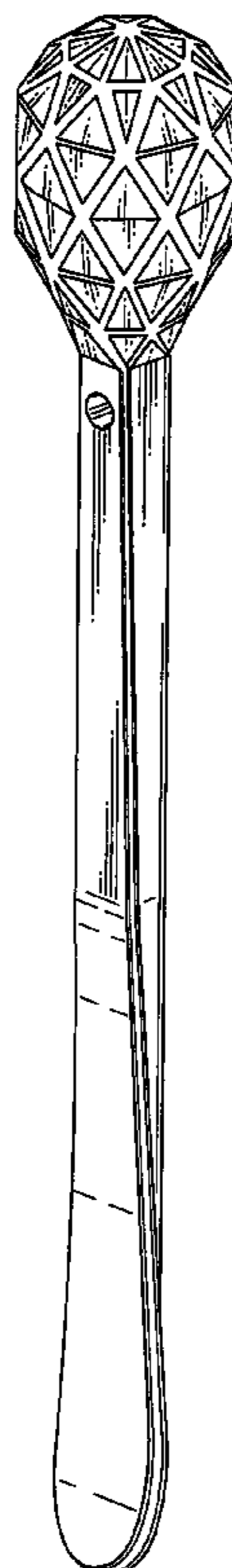


Fig. 1

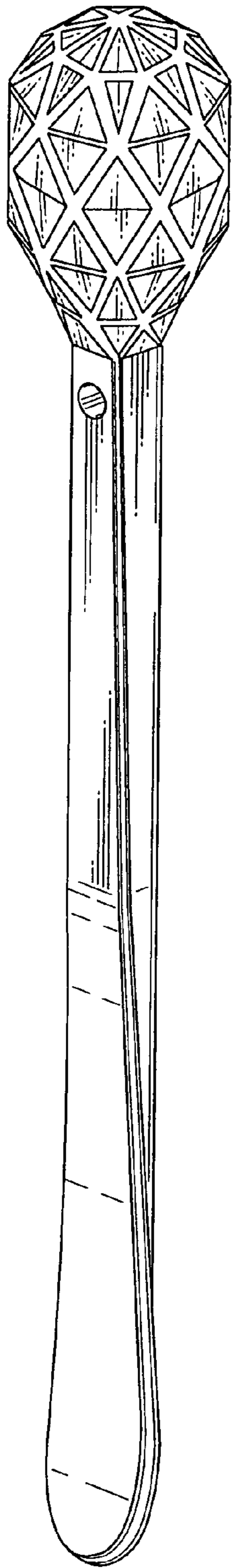


Fig. 2

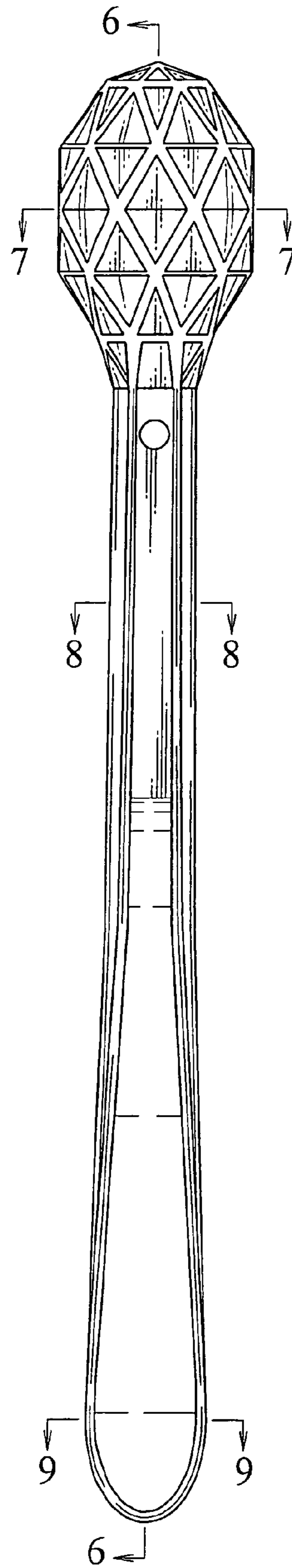


Fig. 3

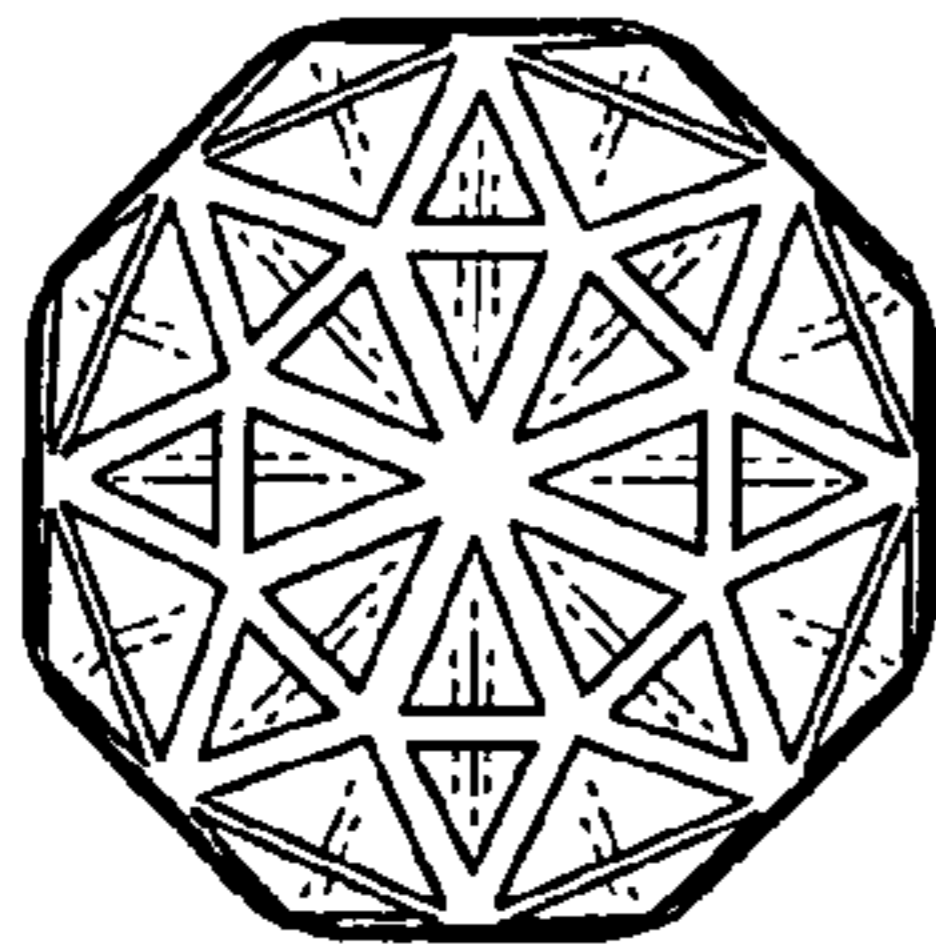


Fig. 4

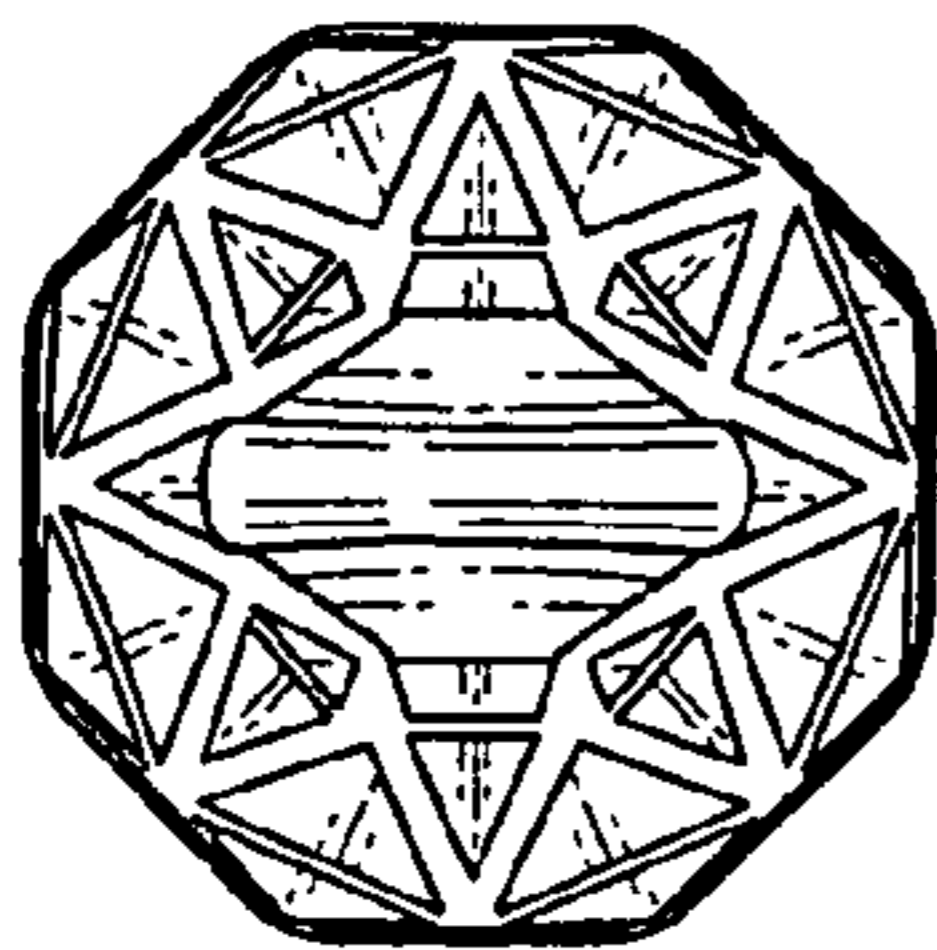


Fig. 5

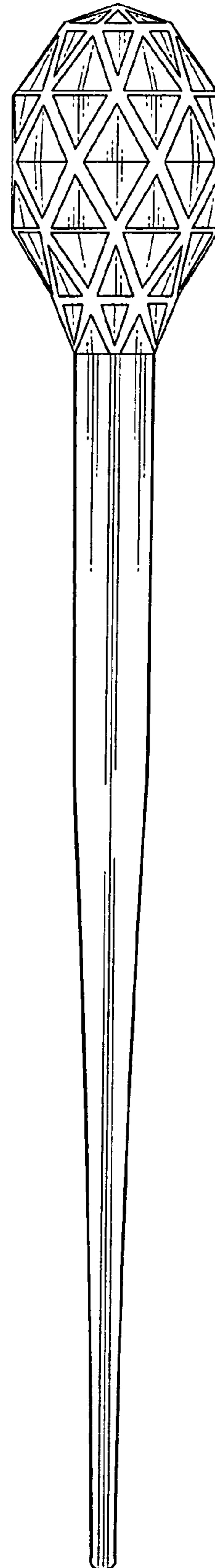


Fig. 6

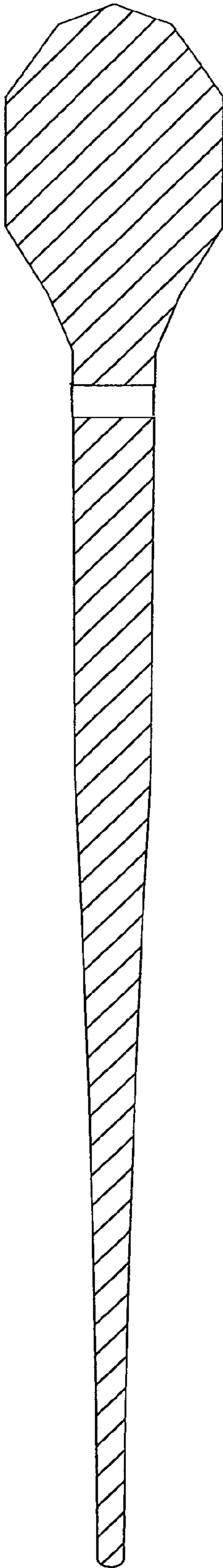


Fig. 7

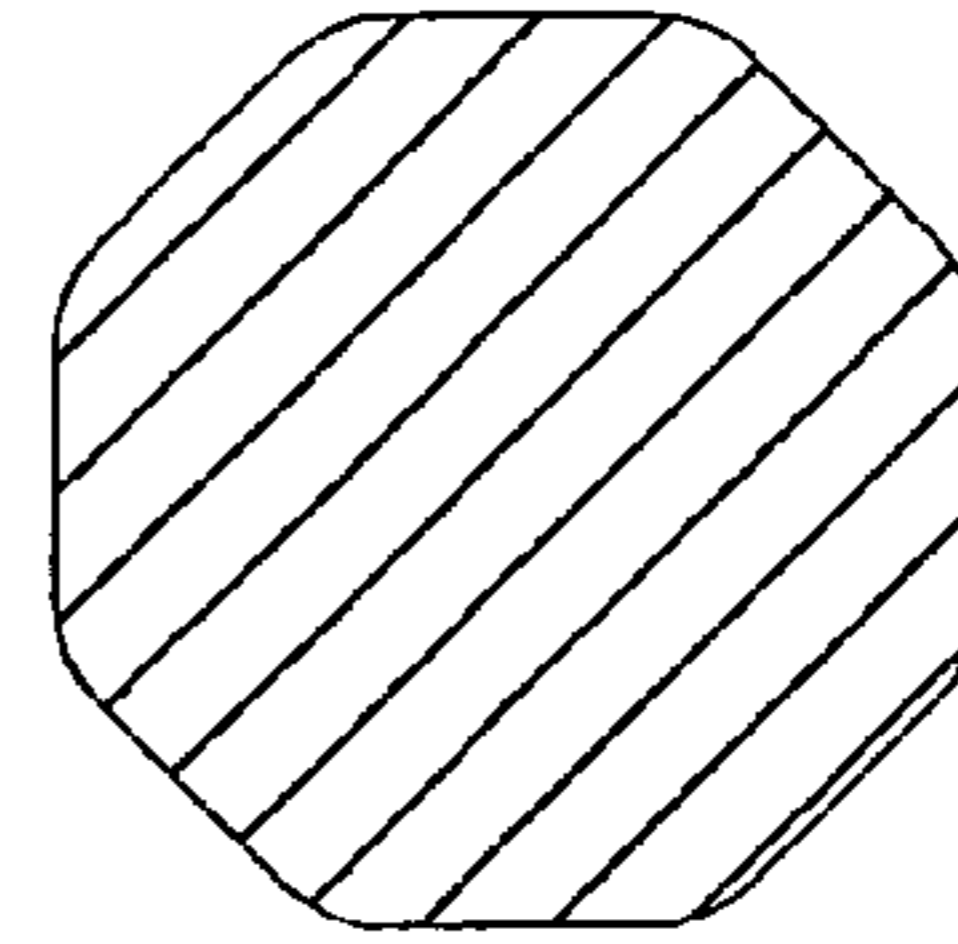


Fig. 8

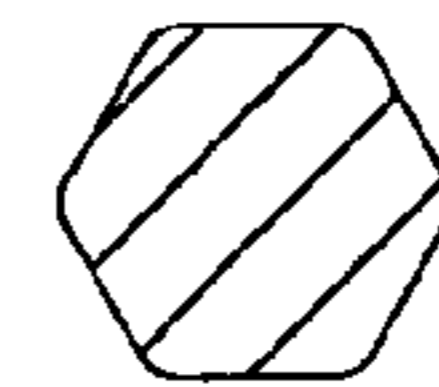


Fig. 9

