



US00D643932S

(12) **United States Design Patent**  
**Vogtner et al.**

(10) **Patent No.:** **US D643,932 S**

(45) **Date of Patent:** **\*\* Aug. 23, 2011**

(54) **TRIPLE NOZZLE**

(75) Inventors: **Zachary T. Vogtner**, Atlanta, GA (US);  
**Lody Chandra**, Las Vegas, NV (US)

(73) Assignee: **Custom Molded Products, Inc.**, Tyrone, GA (US)

(\*\*) Term: **14 Years**

(21) Appl. No.: **29/379,444**

(22) Filed: **Nov. 19, 2010**

(51) **LOC (9) Cl.** ..... **23-01**

(52) **U.S. Cl.** ..... **D24/201; D23/213**

(58) **Field of Classification Search** ..... D23/213;  
D24/201, 204; 239/17, 262, 265.11; 4/541.1,  
4/541.6

See application file for complete search history.

(56) **References Cited**

**U.S. PATENT DOCUMENTS**

2,944,624	A *	7/1960	Morley	.....	181/220
3,053,340	A *	9/1962	Kutney	.....	181/220
3,570,766	A *	3/1971	Johnson	.....	239/265.11
6,178,570	B1 *	1/2001	Denst et al.	.....	4/541.6
D500,838	S *	1/2005	Pavlik	.....	D23/213

7,043,775	B2 *	5/2006	Holtsnider et al.	.....	4/541.6
D598,561	S *	8/2009	Vogtner et al.	.....	D24/204
D609,356	S *	2/2010	Vogtner et al.	.....	D24/204

\* cited by examiner

*Primary Examiner* — Robin V Webster

(74) *Attorney, Agent, or Firm* — Laurence P. Colton; Smith Risley Tempel Santos LLC

(57) **CLAIM**

The ornamental design for a triple nozzle, as shown and described.

**DESCRIPTION**

FIG. 1 is a front perspective view of the triple nozzle of the present design.

FIG. 2 is a front view of the triple nozzle of the present design.

FIG. 3 is a right view of the triple nozzle of the present design.

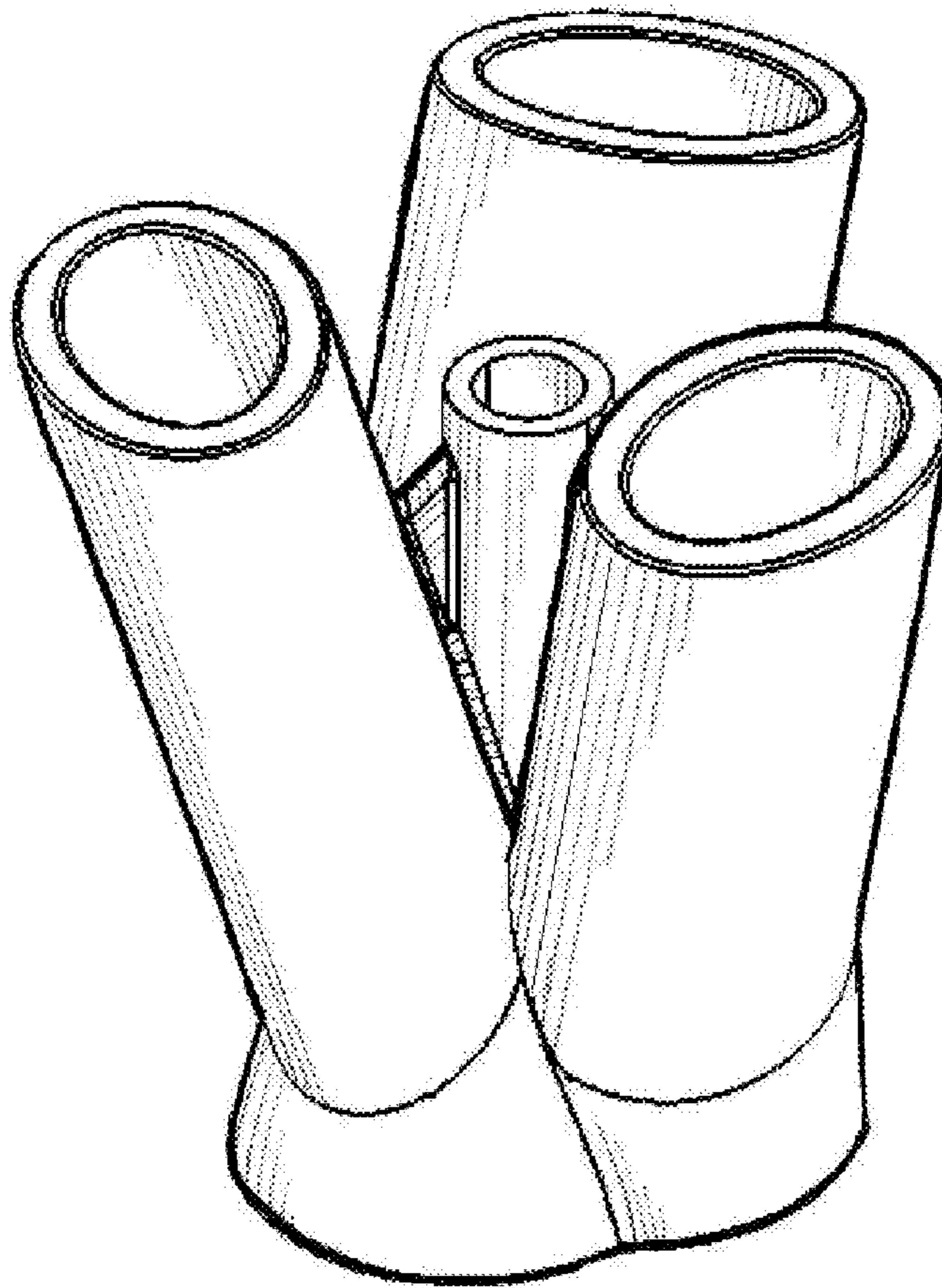
FIG. 4 is a left side view of the triple nozzle of the present design.

FIG. 5 is a back side view of the triple nozzle of the present design.

FIG. 6 is a bottom view of the triple nozzle of the present design; and,

FIG. 7 is a top view of the triple nozzle of the present design.

**1 Claim, 7 Drawing Sheets**



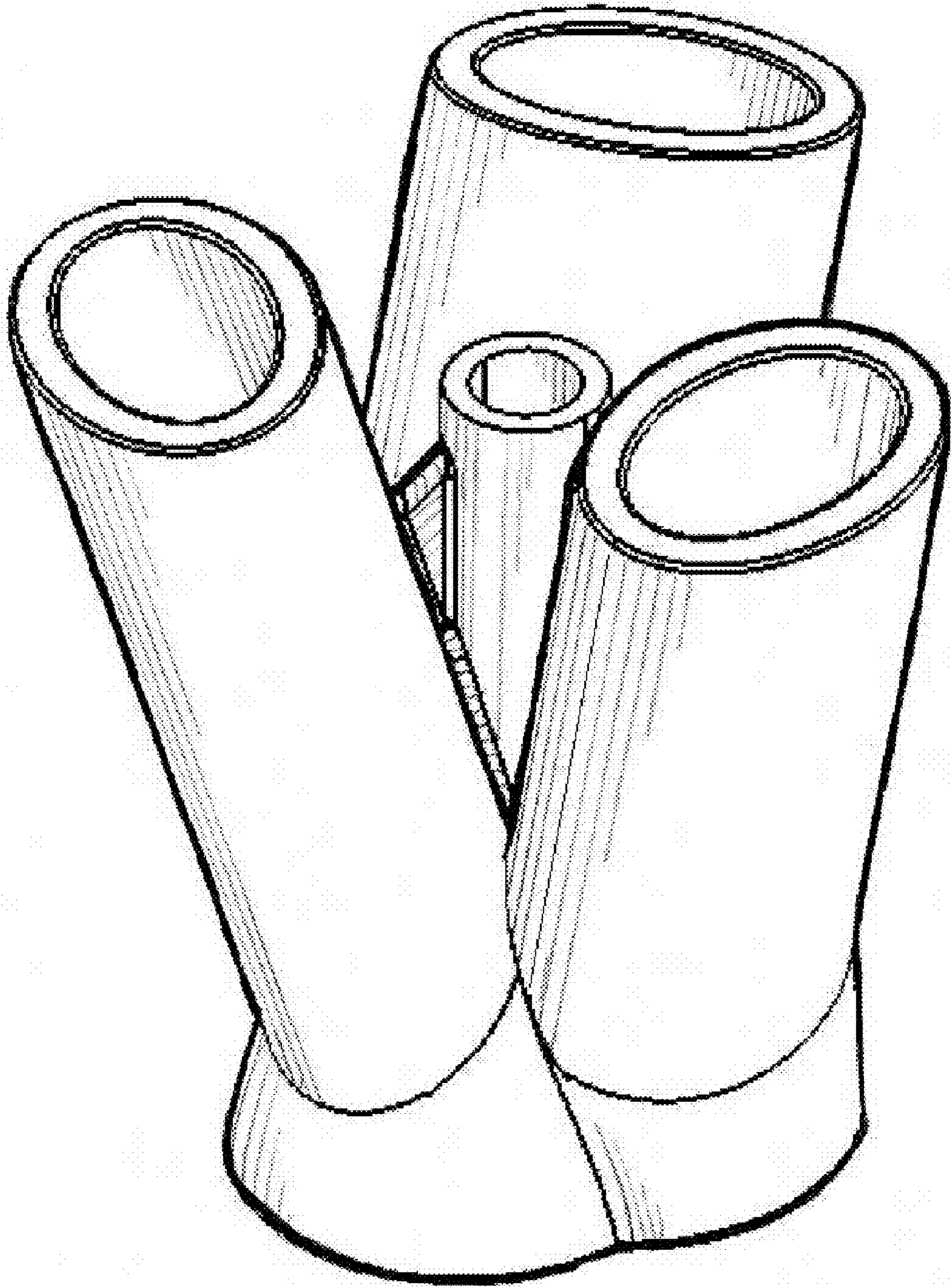


FIG. 1

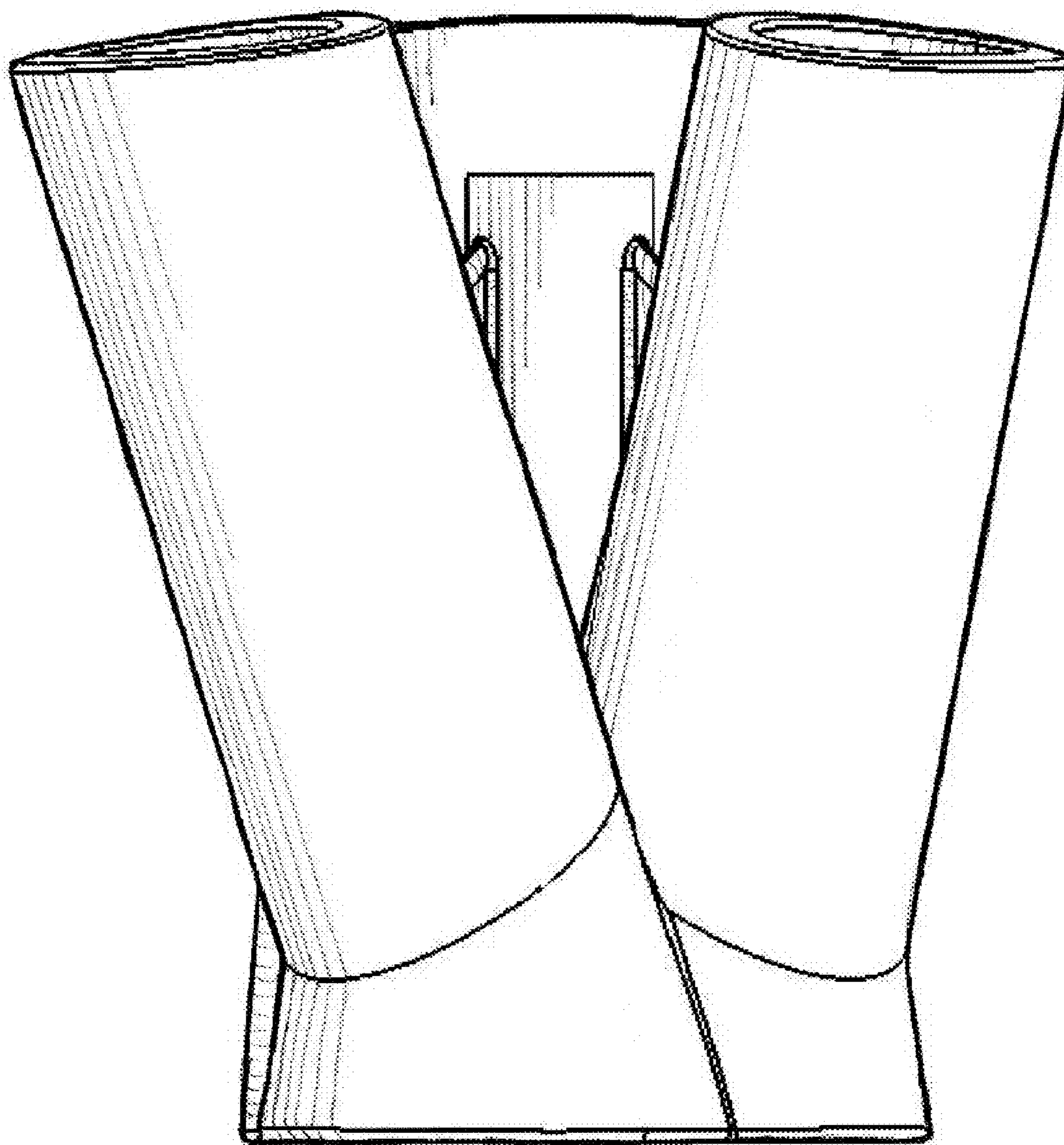


FIG. 2

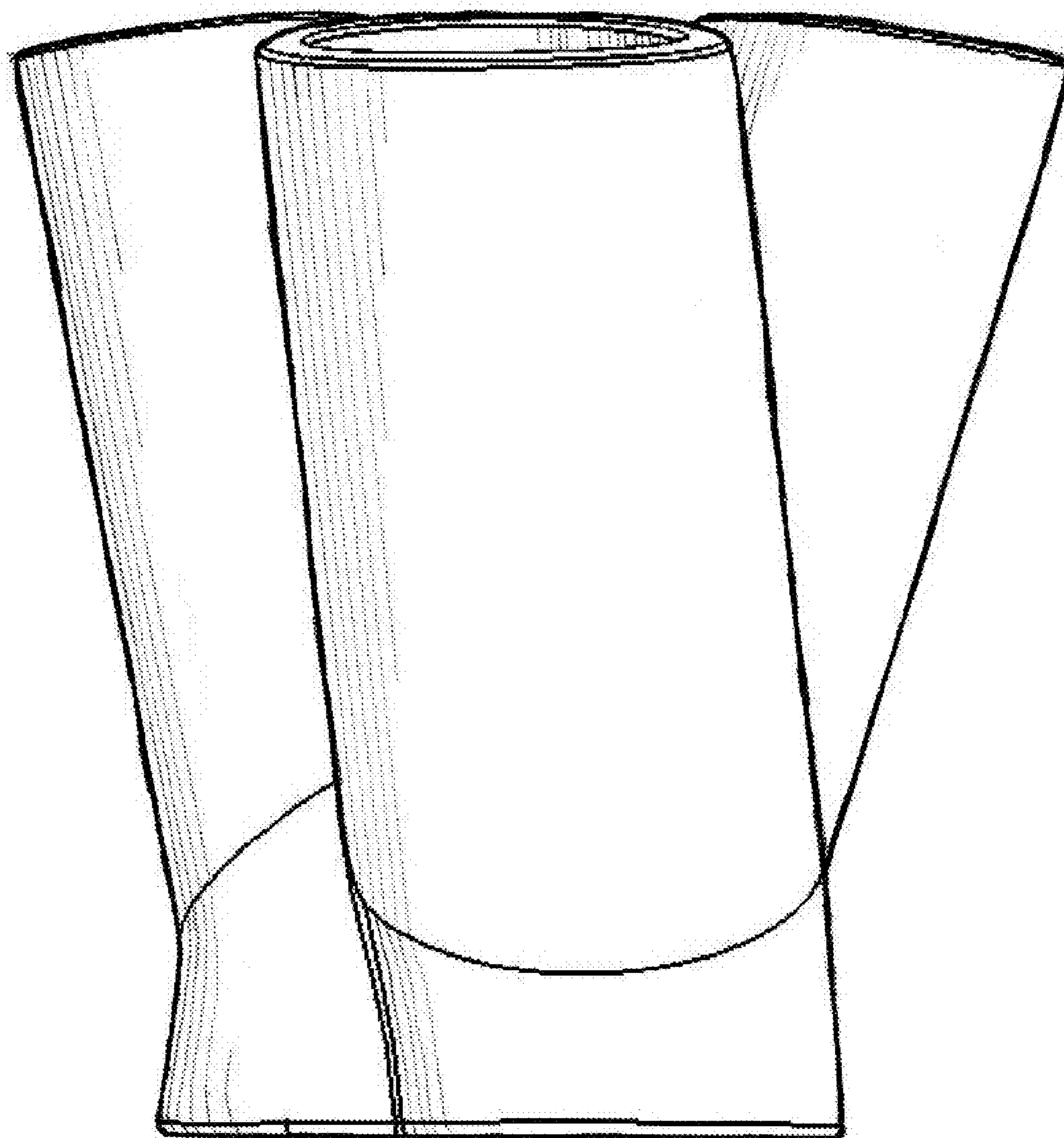


FIG. 3

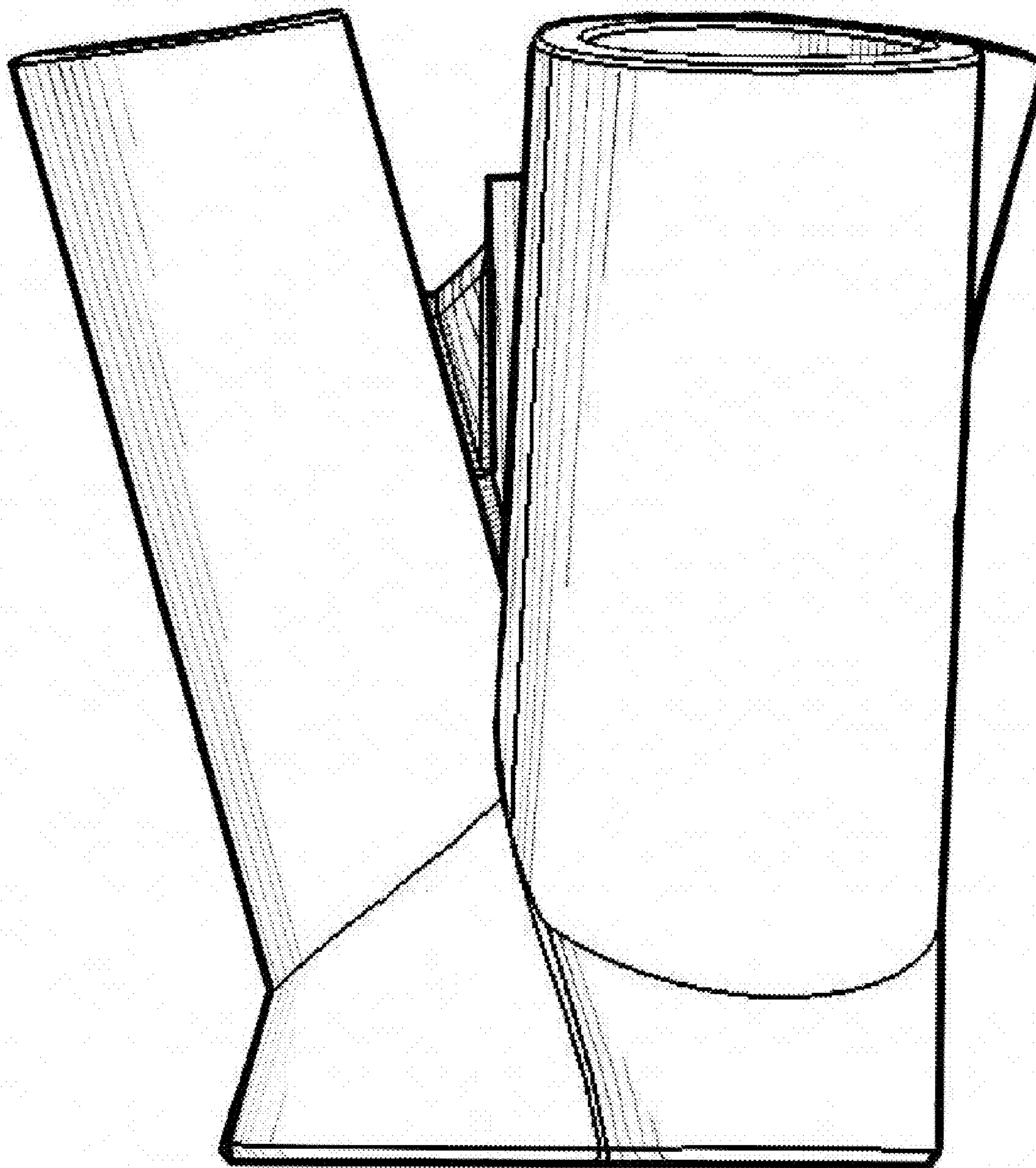


FIG. 4

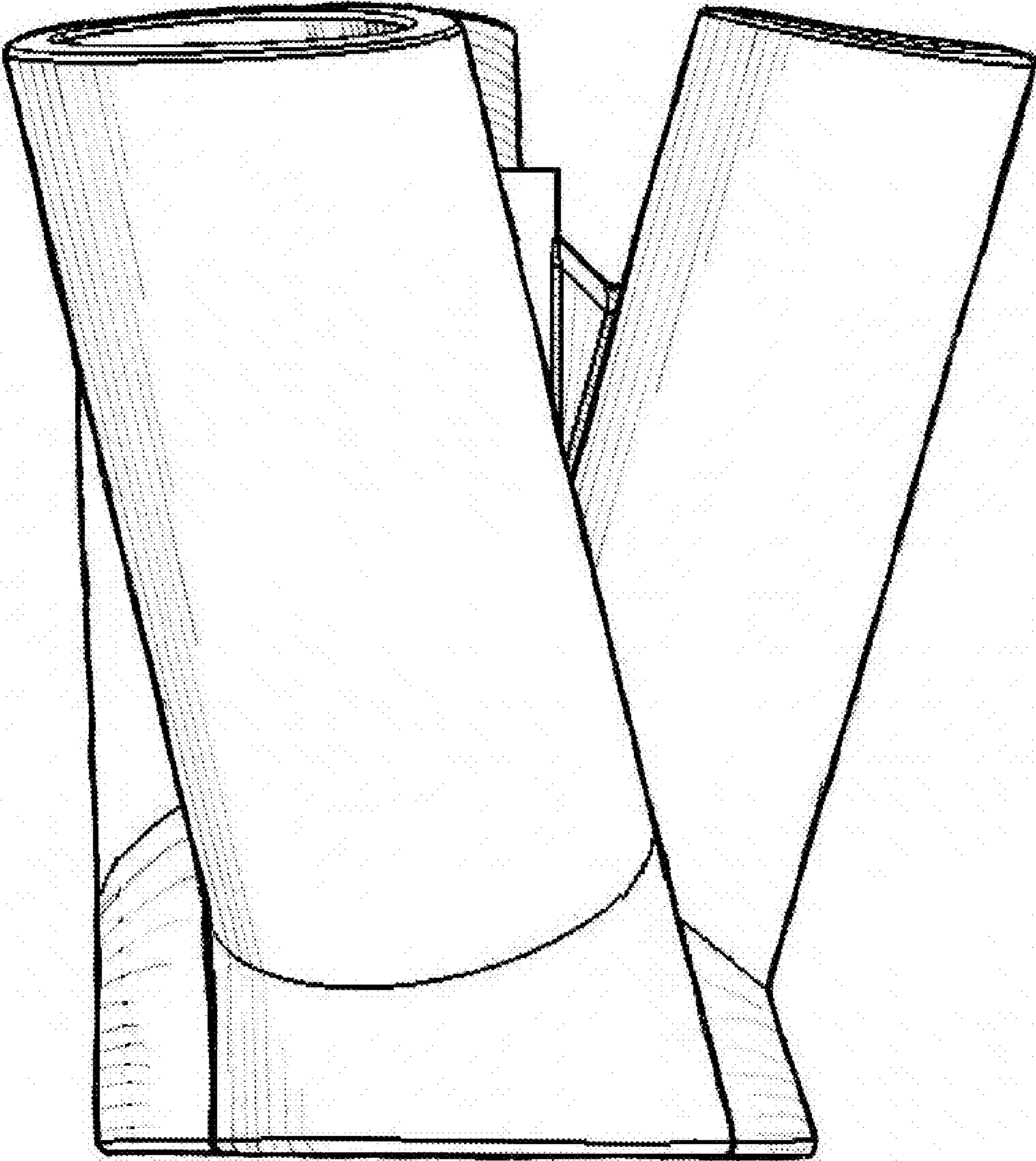


FIG. 5

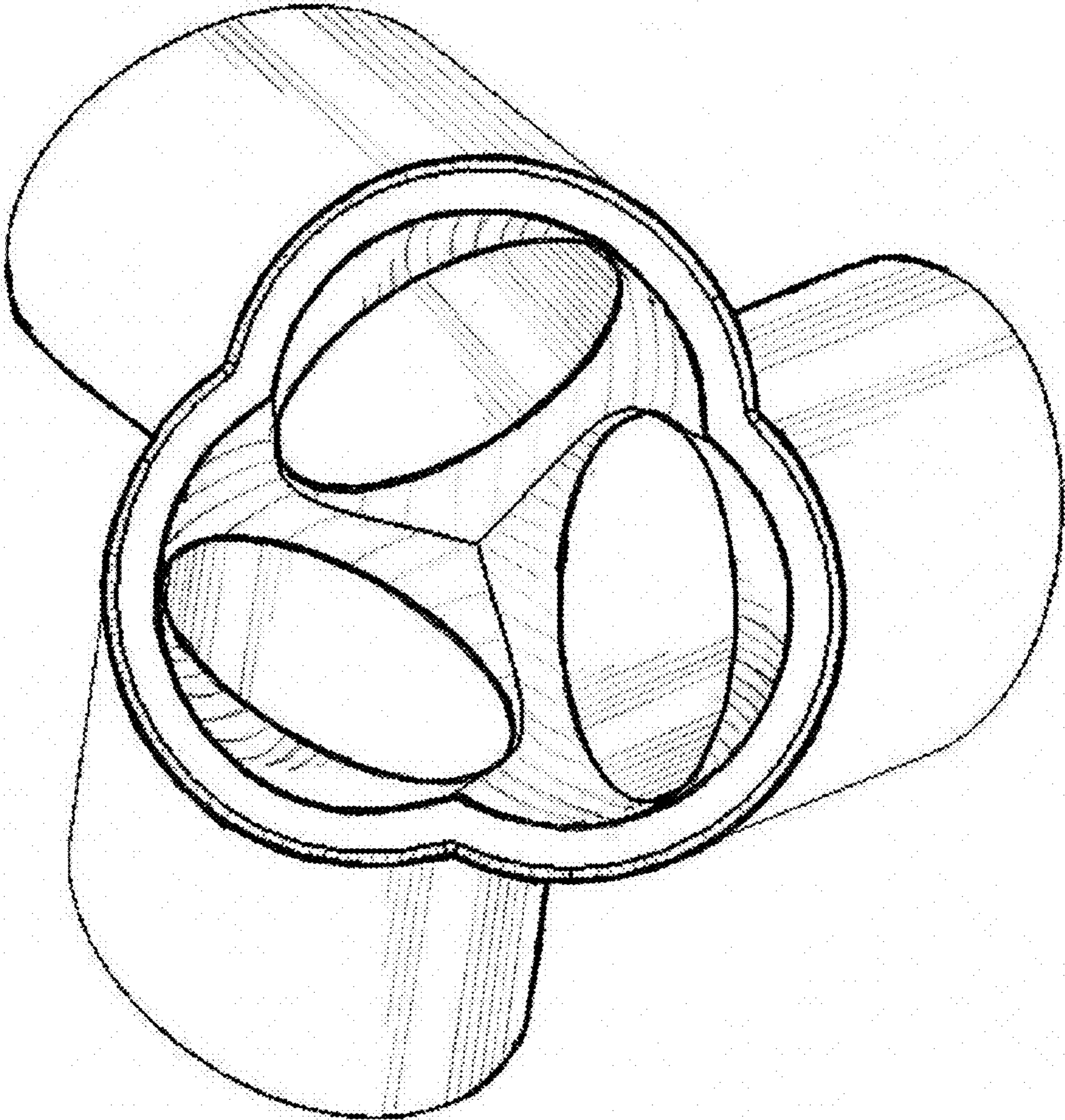


FIG. 6

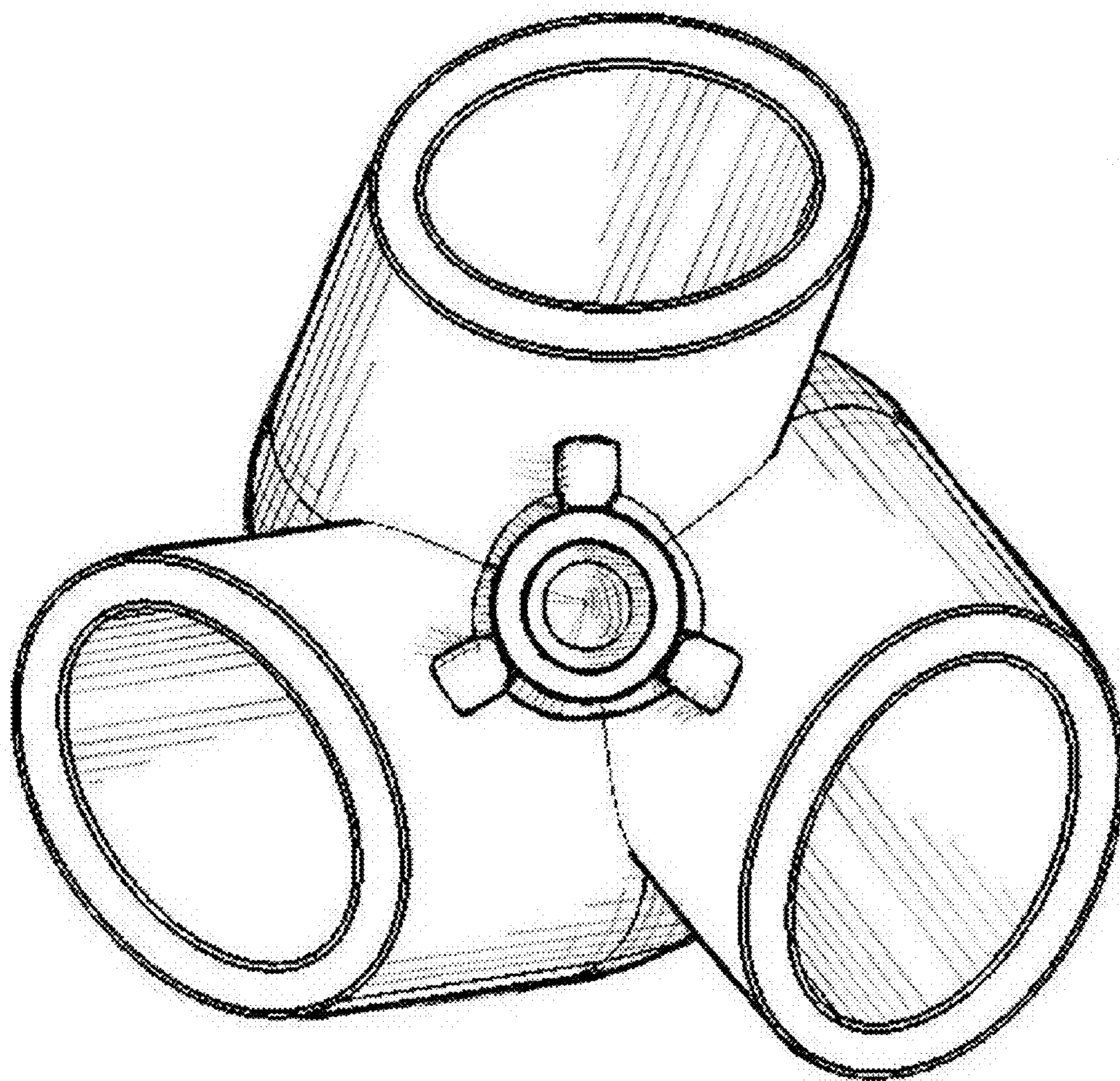


FIG. 7