



US00D643927S

(12) **United States Design Patent**
Prasad et al.

(10) **Patent No.:** **US D643,927 S**

(45) **Date of Patent:** **** Aug. 23, 2011**

(54) **FUSION BONE PLATE**

(75) Inventors: **Priya Prasad**, Miami, FL (US); **Mark S. Myerson**, Baltimore, MD (US); **Sanjoy Choudhuri**, Miami, FL (US)

(73) Assignee: **Depuy Products, Inc.**, Warsaw, IN (US)

(**) Term: **14 Years**

(21) Appl. No.: **29/369,635**

(22) Filed: **Sep. 10, 2010**

(51) **LOC (9) Cl.** **24-03**

(52) **U.S. Cl.** **D24/155**

(58) **Field of Classification Search** D24/155-157;
606/60, 61, 73, 95, 213, 65, 67, 288, 902,
606/246, 248, 249; 623/17.11, 17.12, 17.13,
623/17.14, 17.15, 17.16, 23.61, 23.56, 247,
623/213; D15/143, 139

See application file for complete search history.

(56) **References Cited**

U.S. PATENT DOCUMENTS

D449,692 S *	10/2001	Michelson	D24/155
7,220,263 B2 *	5/2007	Cordaro	606/70
D603,504 S *	11/2009	Kriska et al.	D24/155
D603,506 S *	11/2009	Kriska et al.	D24/155
D603,507 S *	11/2009	Kriska et al.	D24/155
D603,961 S *	11/2009	Kriska et al.	D24/155

* cited by examiner

Primary Examiner — Ian Simmons
Assistant Examiner — Charles Hanson

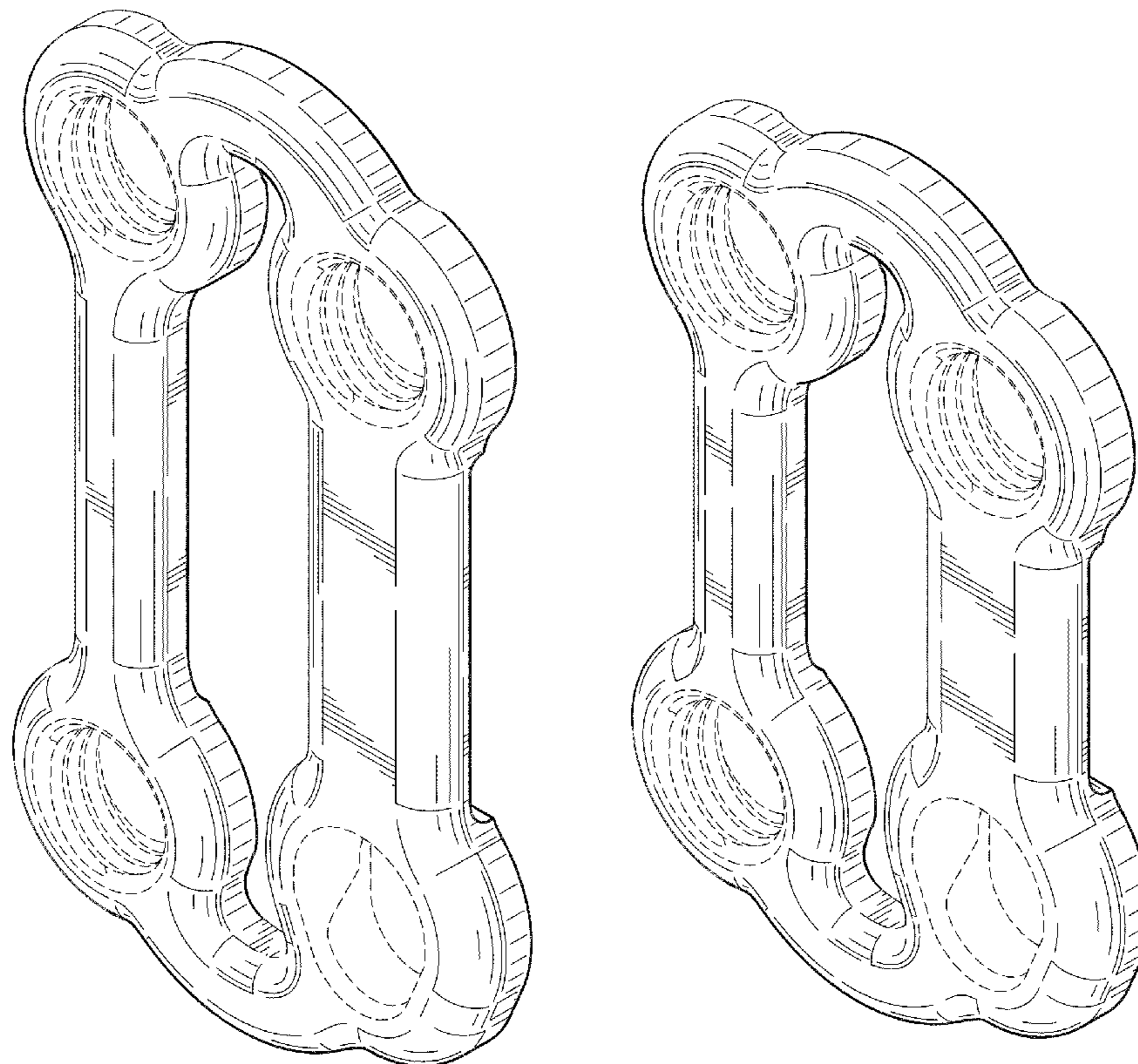
(57) **CLAIM**

The ornamental design for a fusion bone plate, as shown and described.

DESCRIPTION

FIG. 1 is a top perspective view of a fusion bone plate showing one embodiment of our new design;
FIG. 2 is a bottom perspective view thereof;
FIG. 3 is a top plan view thereof;
FIG. 4 is a right side elevation thereof;
FIG. 5 is bottom plan view thereof;
FIG. 6 is a left side elevation thereof;
FIG. 7 is an end elevation thereof;
FIG. 8 is an end elevation of the end opposite that shown in FIG. 7;
FIG. 9 is a top perspective view of a bone plate showing another embodiment of our new design;
FIG. 10 is a bottom perspective view thereof;
FIG. 11 is a top plan view thereof;
FIG. 12 is a right side elevation thereof;
FIG. 13 is bottom plan view thereof; and,
FIG. 14 is a left side elevation thereof.
The broken lines shown in the drawings are included for the purpose of illustrating structural environment and form no part of the claimed design.

1 Claim, 8 Drawing Sheets



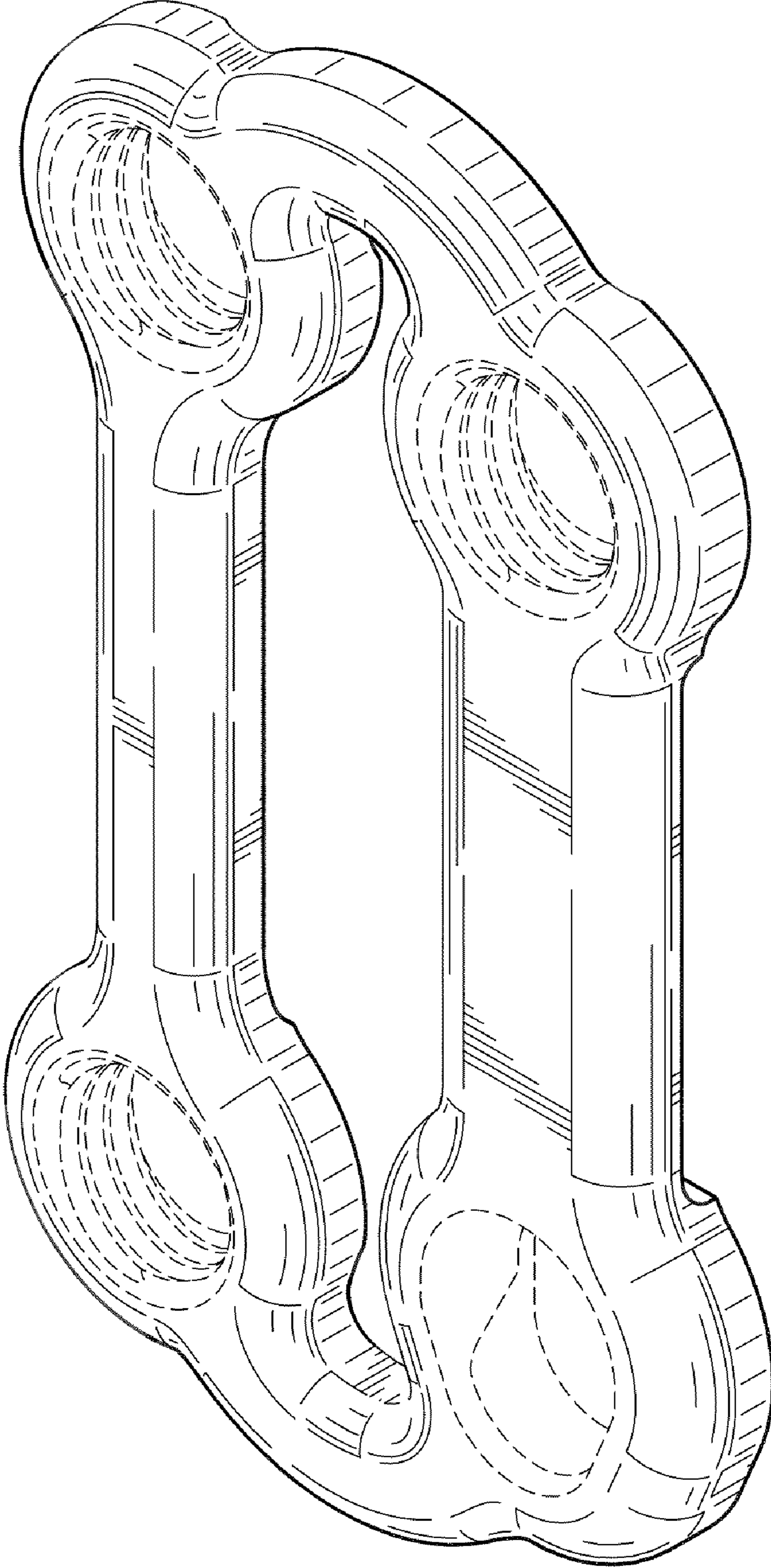


FIG. 1

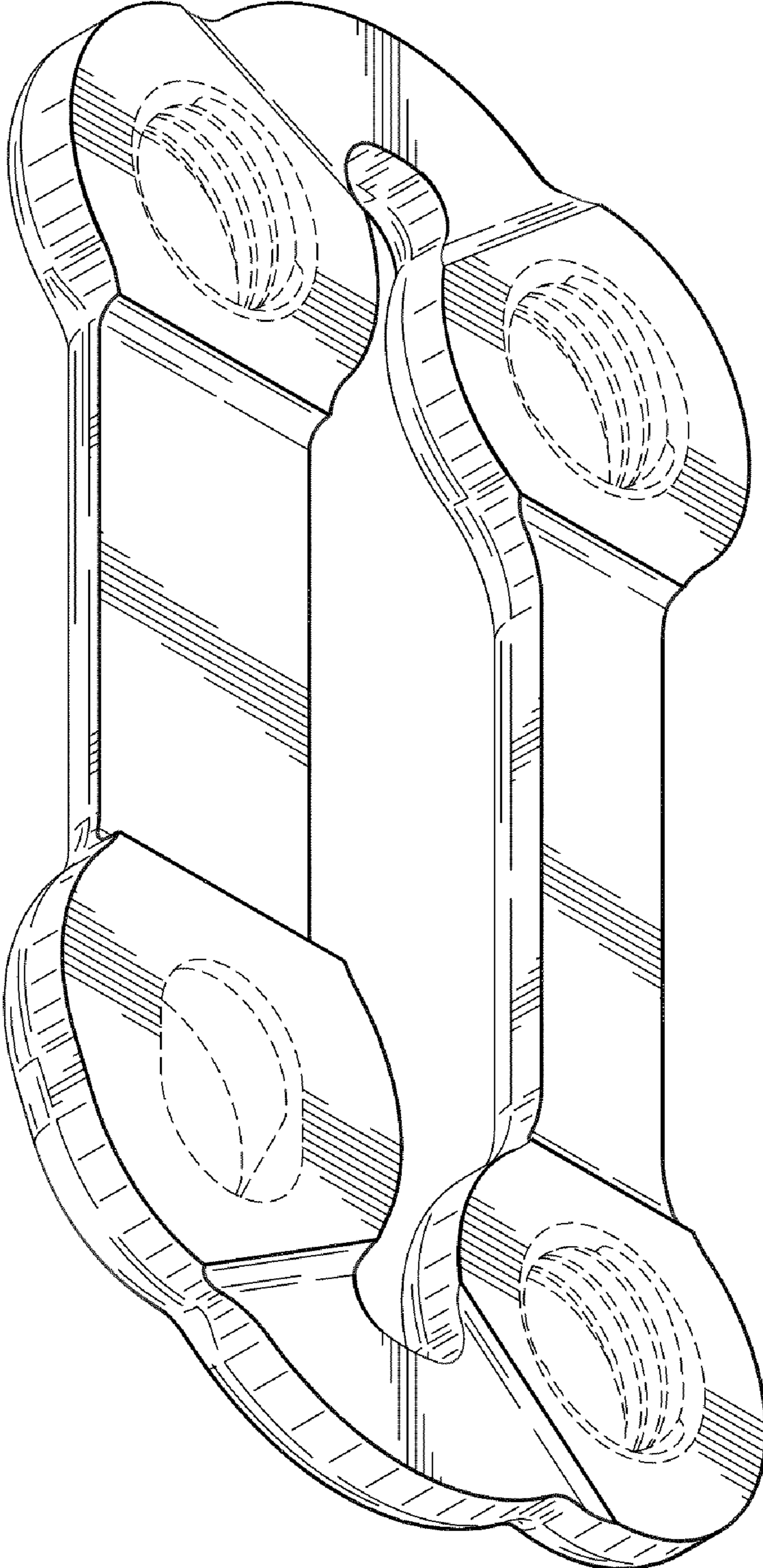


FIG. 2



FIG. 6

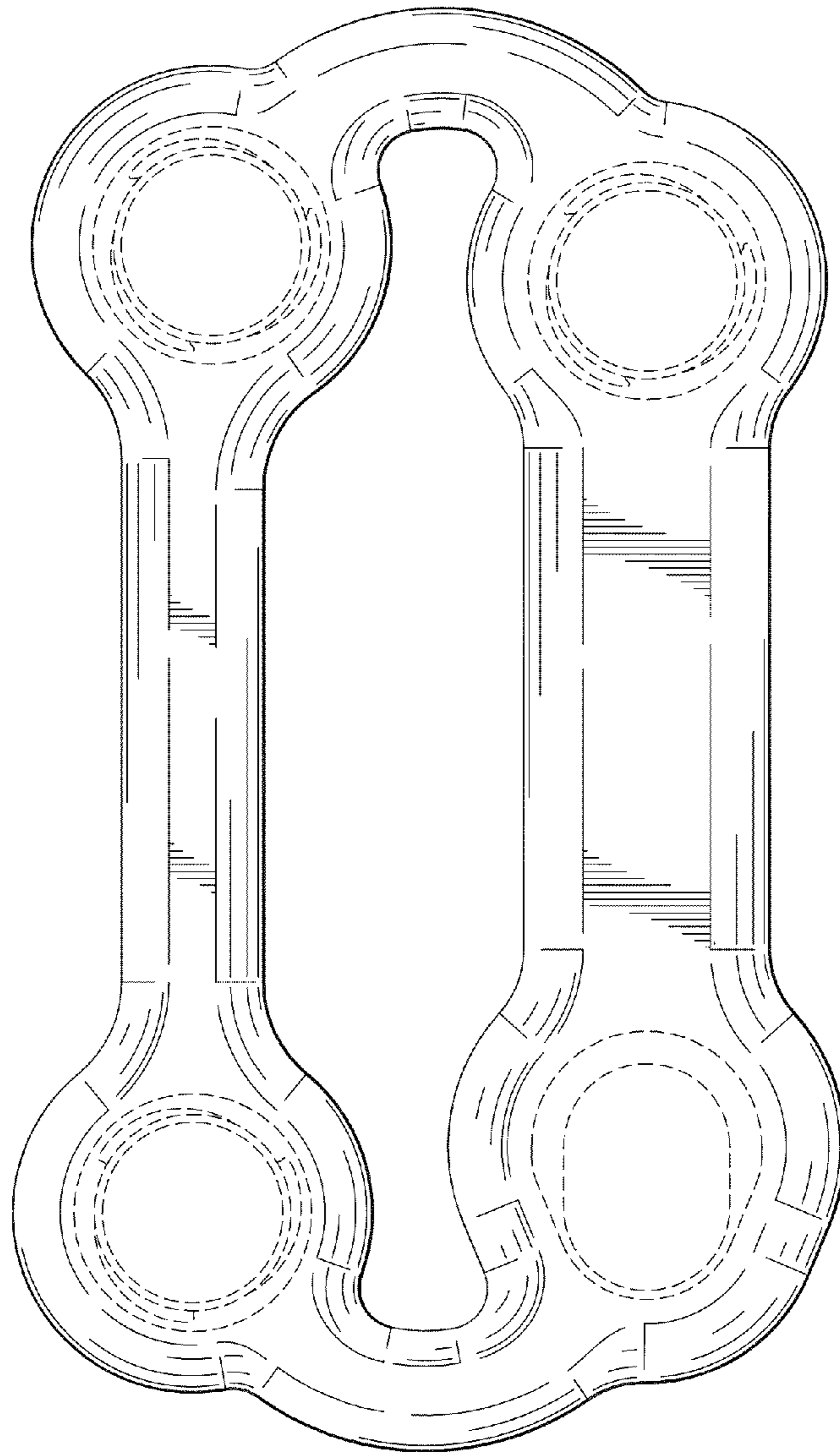


FIG. 3

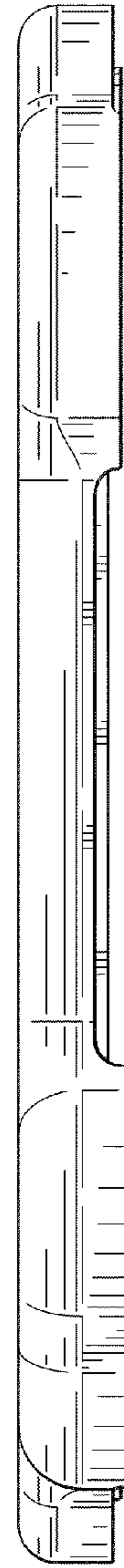


FIG. 4

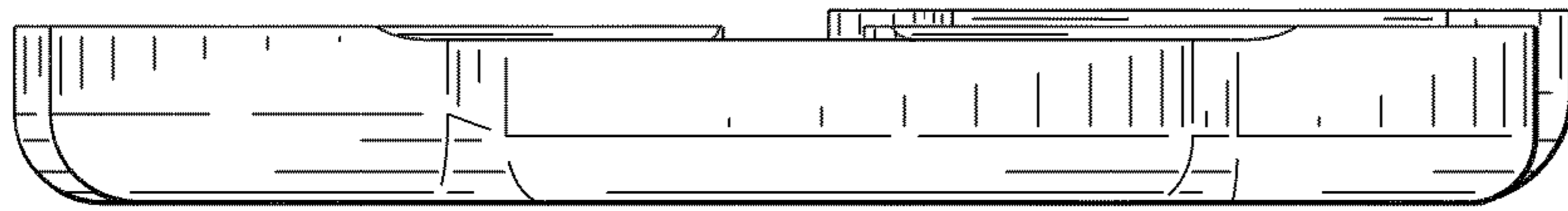


FIG. 7

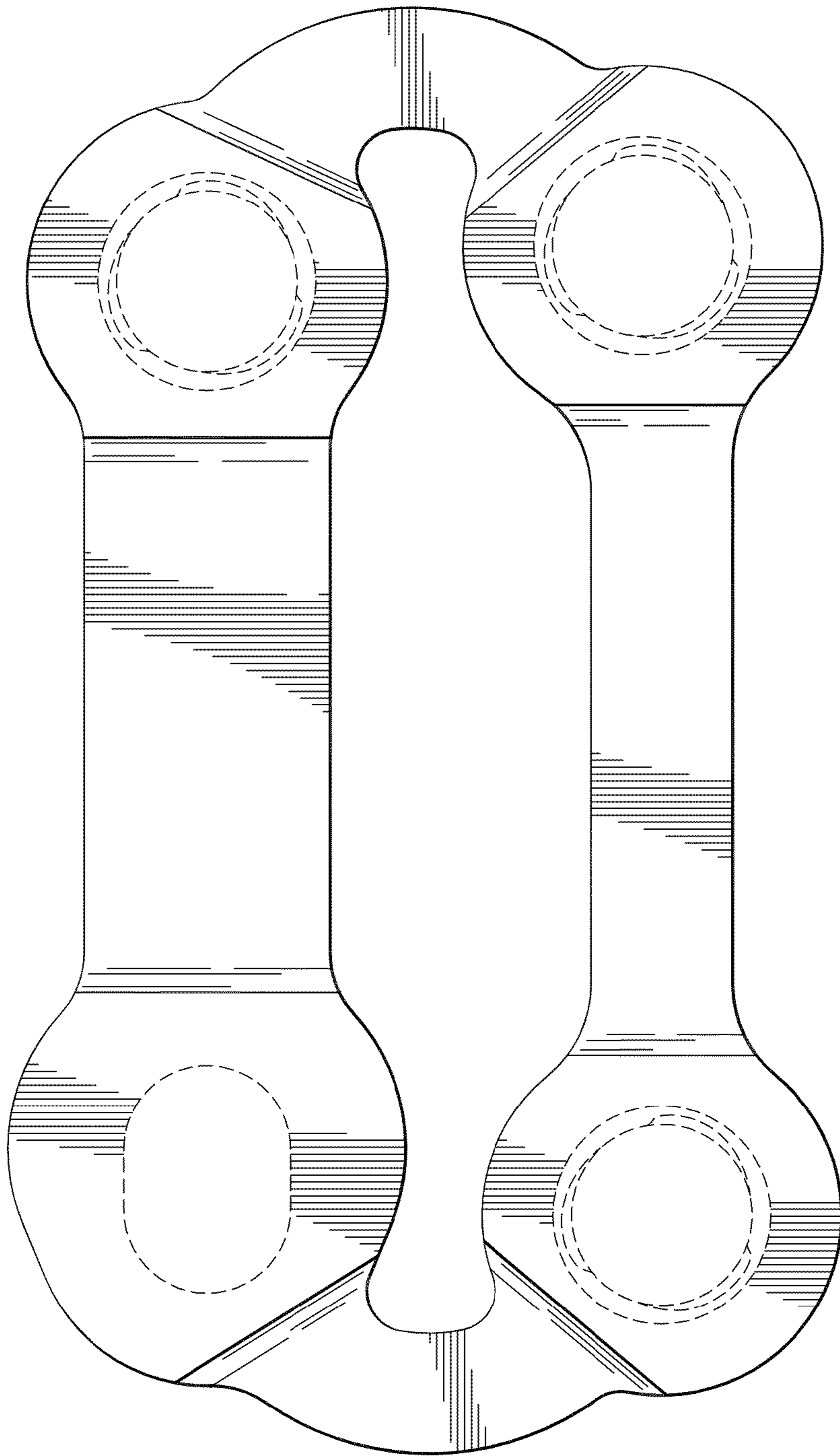


FIG. 5



FIG. 8

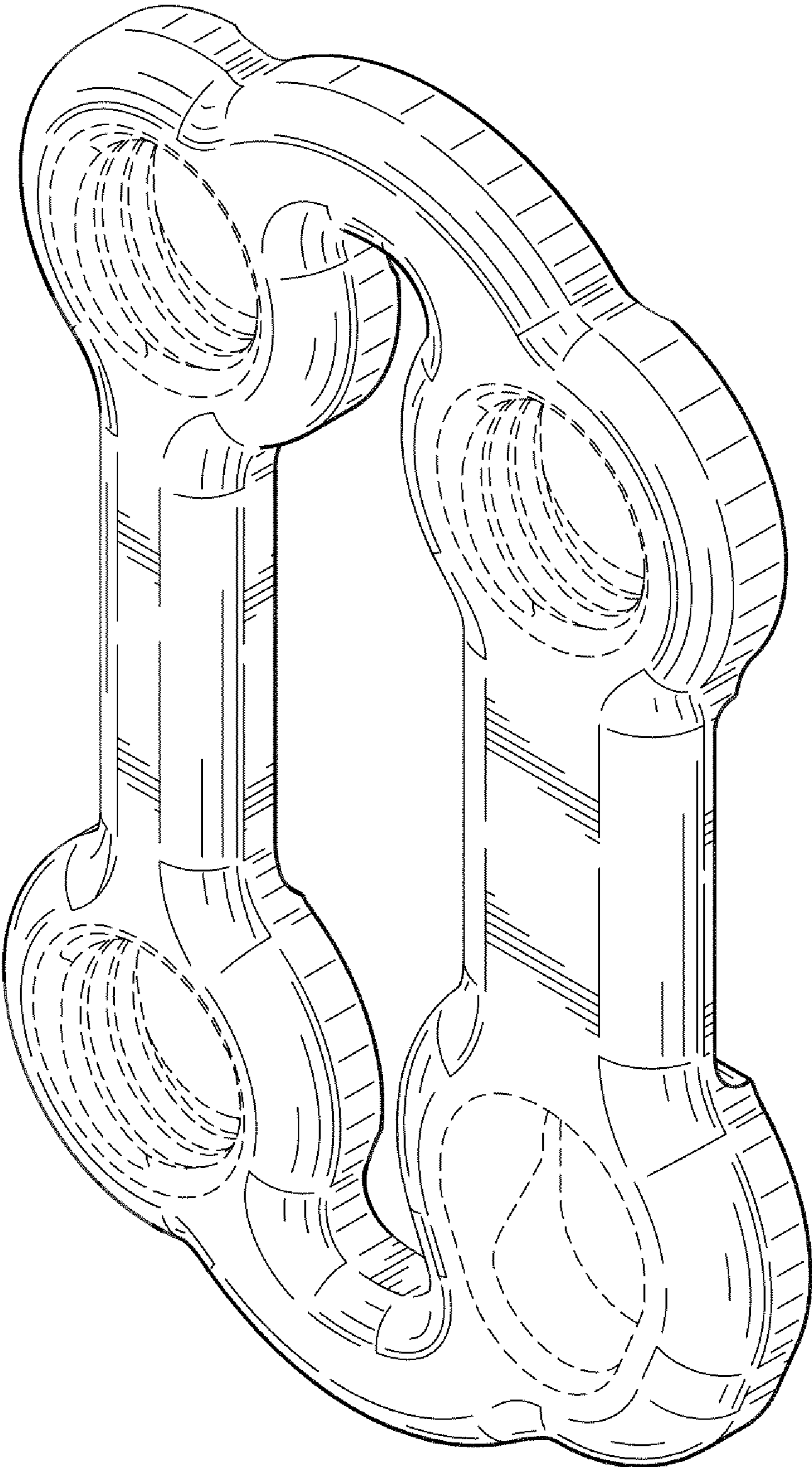


FIG. 9

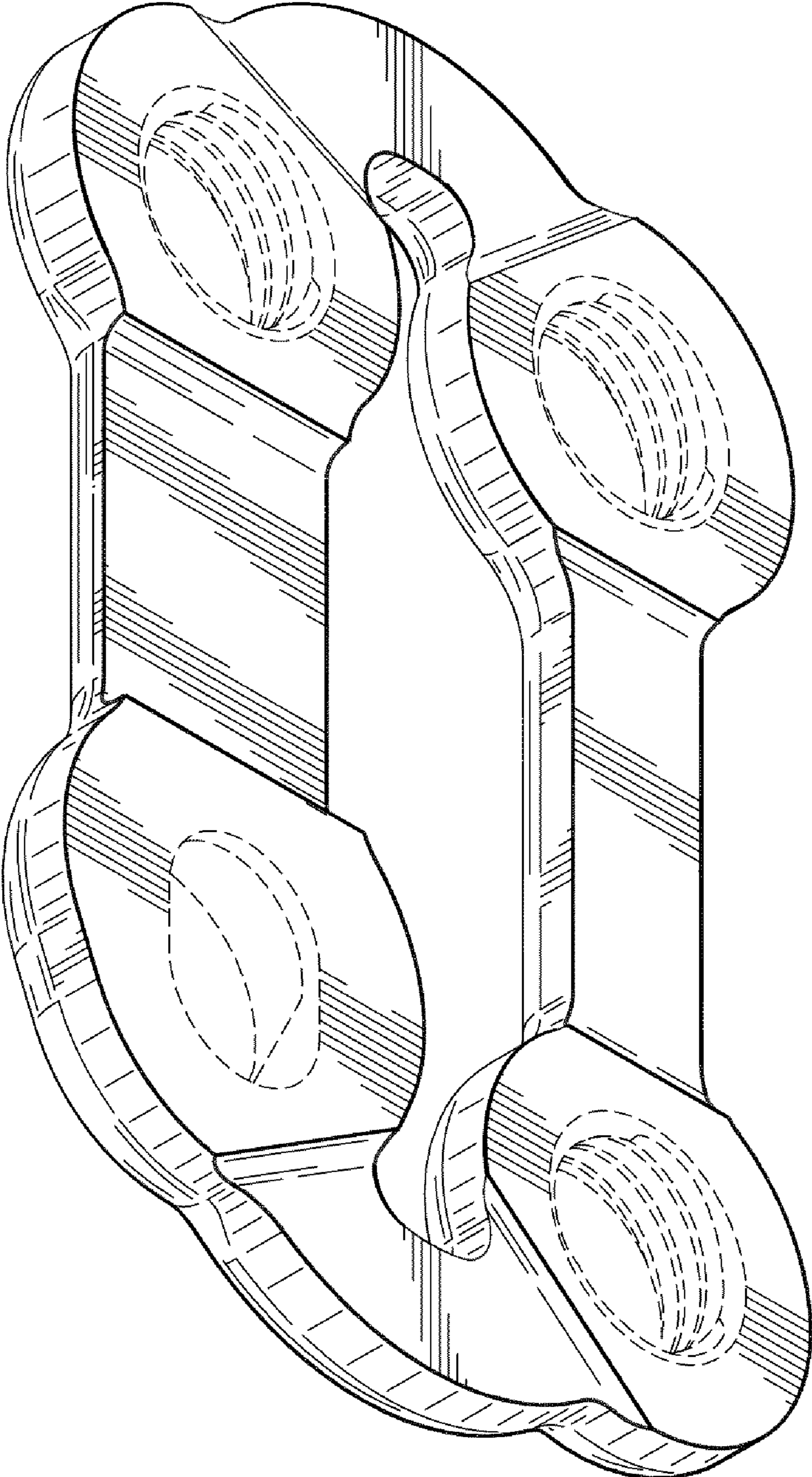


FIG. 10

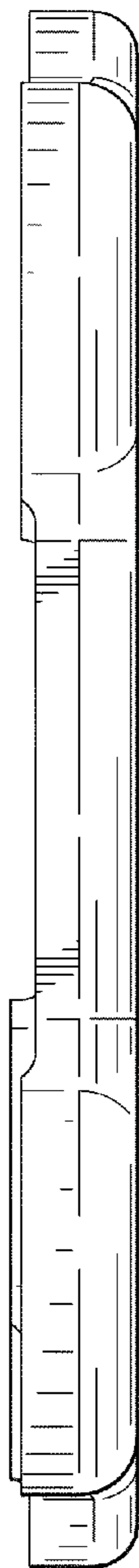


FIG. 14

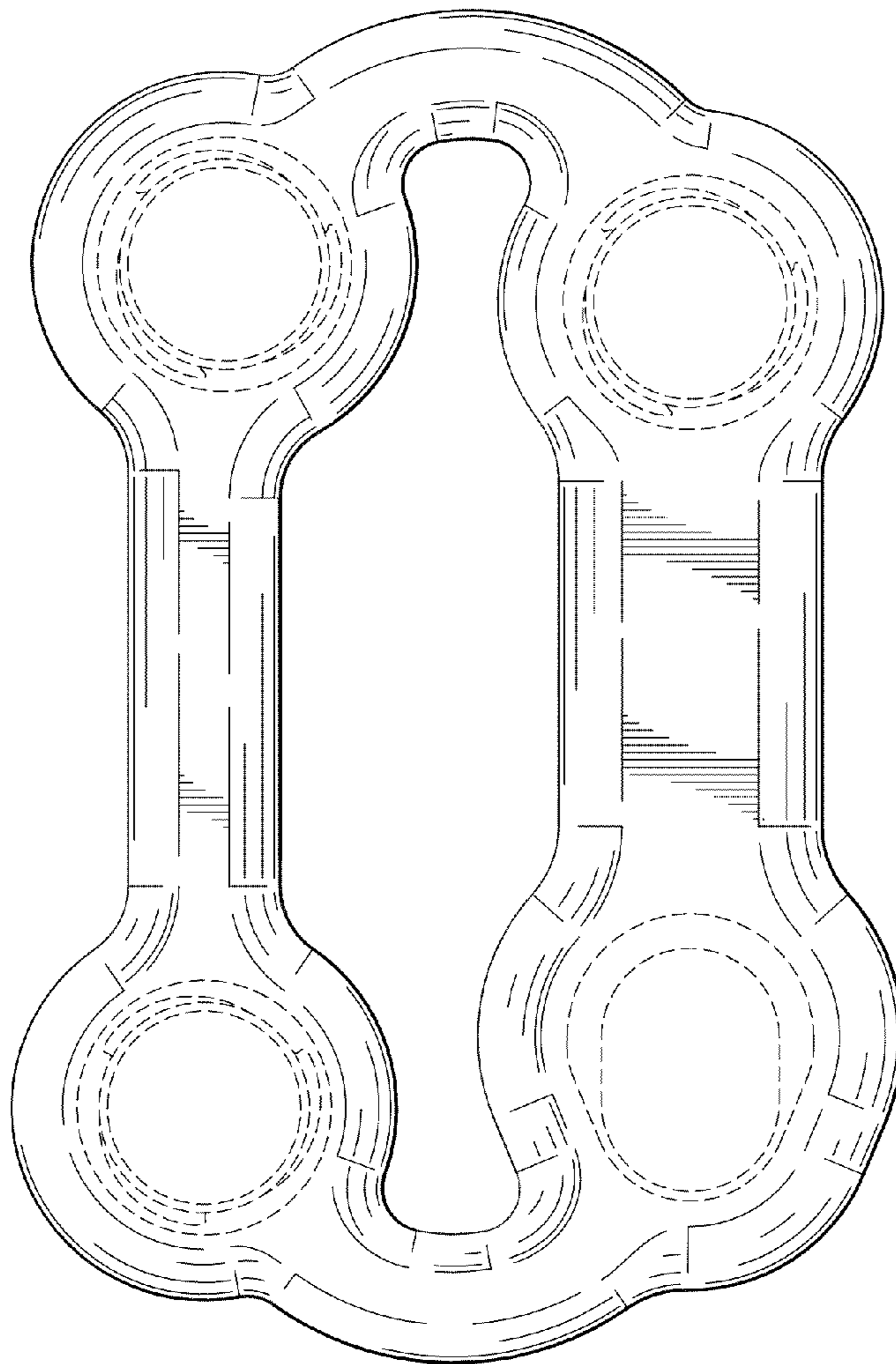


FIG. 11

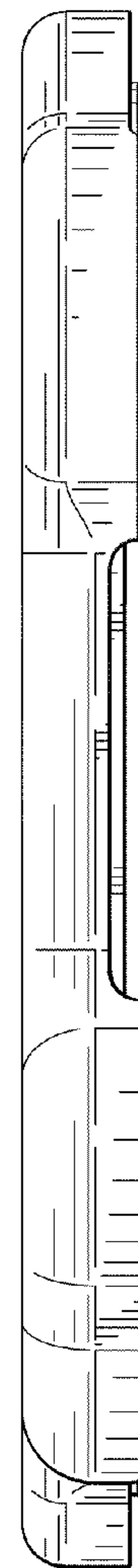


FIG. 12

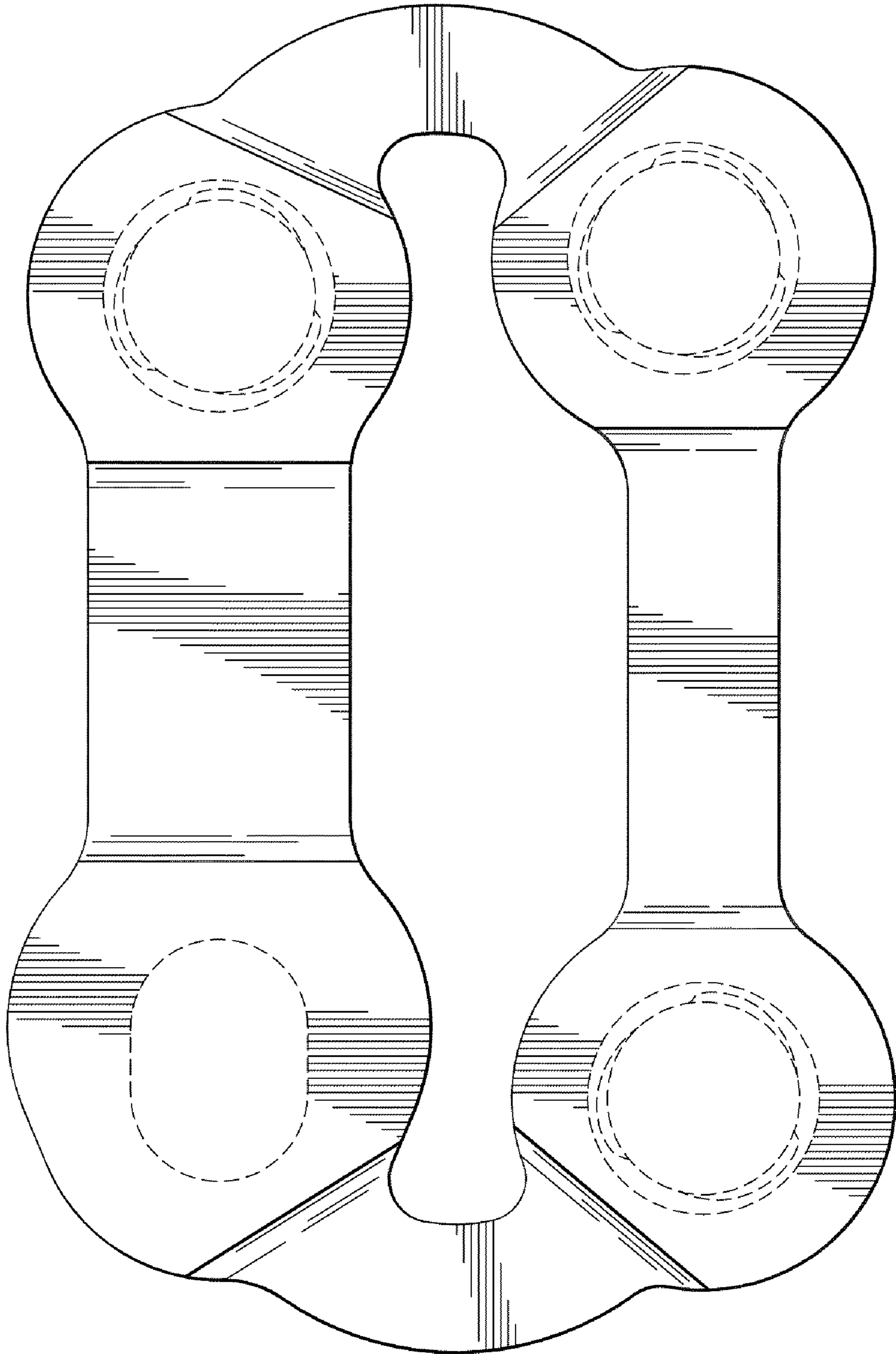


FIG. 13