

US00D643926S

(12) **United States Design Patent**
Collins

(10) **Patent No.:** **US D643,926 S**

(45) **Date of Patent:** **** Aug. 23, 2011**

(54) **ORTHOPEdic IMPLANT**

(75) Inventor: **Simon Nicholas Collins**, Avening
Tetbury (GB)

(73) Assignee: **Corin Limited**, Gloucestershire (GB)

(**) Term: **14 Years**

(21) Appl. No.: **29/357,435**

(22) Filed: **Mar. 12, 2010**

(30) **Foreign Application Priority Data**

Sep. 15, 2009 (EM) 001611534-0001

(51) **LOC (9) Cl.** **24-03**

(52) **U.S. Cl.** **D24/155**

(58) **Field of Classification Search** D24/155,
D24/156, 157; 623/17.11, 16.71, 19.11,
623/22.13, 22.45, 23.14, 23.41; D8/391-393,
D8/382, 354, 387; 606/246, 247, 248, 249,
606/258, 267, 280, 70, 71, 283, 299, 166,
606/903, 905, 906, 286, 396, 17.13, 102,
606/81

See application file for complete search history.

(56) **References Cited**

U.S. PATENT DOCUMENTS

2,668,531 A 2/1954 Haboush
2,718,228 A 9/1955 Van Steenrugghe
3,053,251 A 9/1962 Black
4,173,797 A 11/1979 Langlais
4,224,699 A * 9/1980 Weber 623/23.14
4,274,164 A 6/1981 Rehder
4,846,841 A 7/1989 Oh
4,976,740 A 12/1990 Kleiner
5,015,257 A * 5/1991 Crowninshield et al. .. 623/22.45
5,755,807 A 5/1998 Anstaett
6,156,069 A * 12/2000 Amstutz 623/22.11
6,706,071 B1 * 3/2004 Wolter 623/22.13

7,338,498 B2 * 3/2008 Long et al. 606/102
7,465,319 B2 * 12/2008 Tornier 623/19.11
7,621,962 B2 * 11/2009 Lakin 623/22.15
7,695,474 B2 * 4/2010 Crofford 606/81
7,909,882 B2 * 3/2011 Stinnette 623/23.41
2002/0072805 A1 6/2002 Sullivan
2004/0193278 A1 9/2004 Maroney
2004/0225367 A1 11/2004 Glien

FOREIGN PATENT DOCUMENTS

DE 923383 C 2/1955
DE 3923154 A 1/1991
DE 202005013075 U 10/2005
DE 102004034331 A1 2/2006
EP 1407728 A 6/1981
EP 1258233 A 11/2002
EP 1332736 A 8/2003
EP 1168989 B1 9/2004
EP 1470802 A 10/2004
FR 2094904 A 2/1972
FR 2519545 A 7/1983

* cited by examiner

Primary Examiner — Ian Simmons

Assistant Examiner — Charles Hanson

(74) *Attorney, Agent, or Firm* — Pyprus Pte Ltd

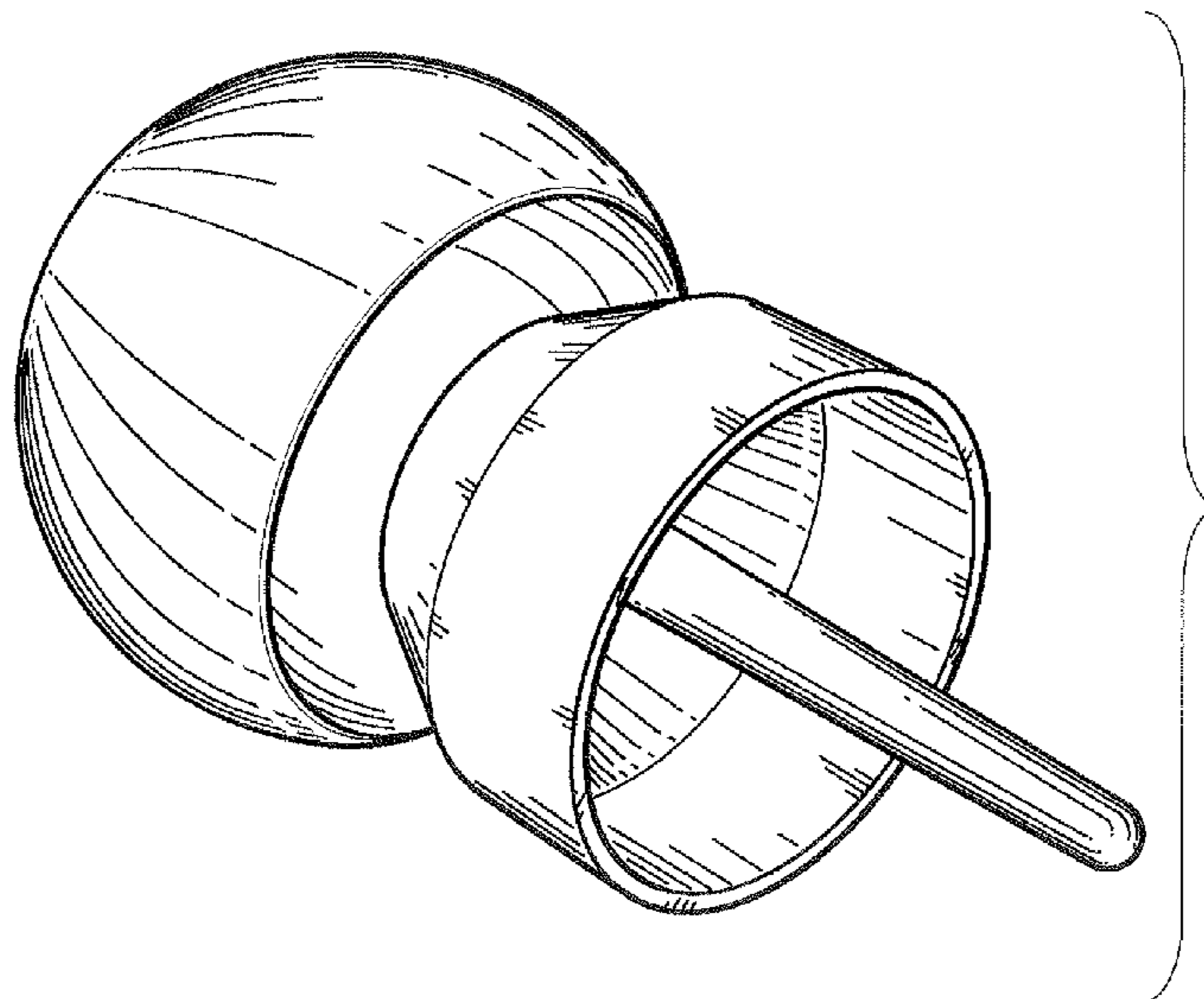
(57) **CLAIM**

The ornamental design for a orthopedic implant, as shown and described.

DESCRIPTION

FIG. 1 is a perspective view of an orthopedic implant, showing my new design, disassembled;
FIG. 2 is an opposite perspective view thereof;
FIG. 3 is a side view thereof;
FIG. 4 is a perspective view there of, assembled;
FIG. 5 is a bottom plan view thereof;
FIG. 6 is a side view thereof; and,
FIG. 7 is a top plan view thereof.

1 Claim, 7 Drawing Sheets



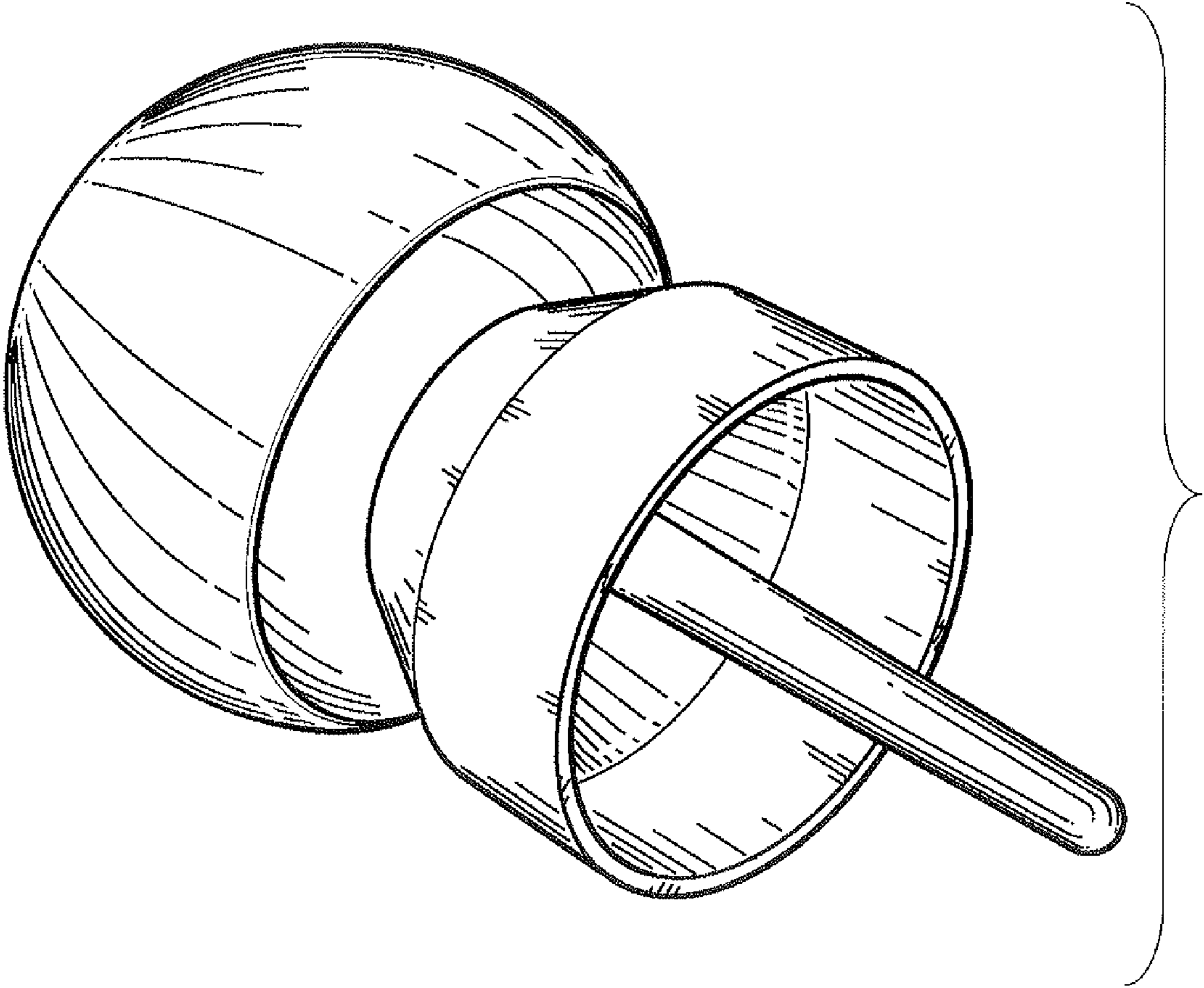


FIG. 1

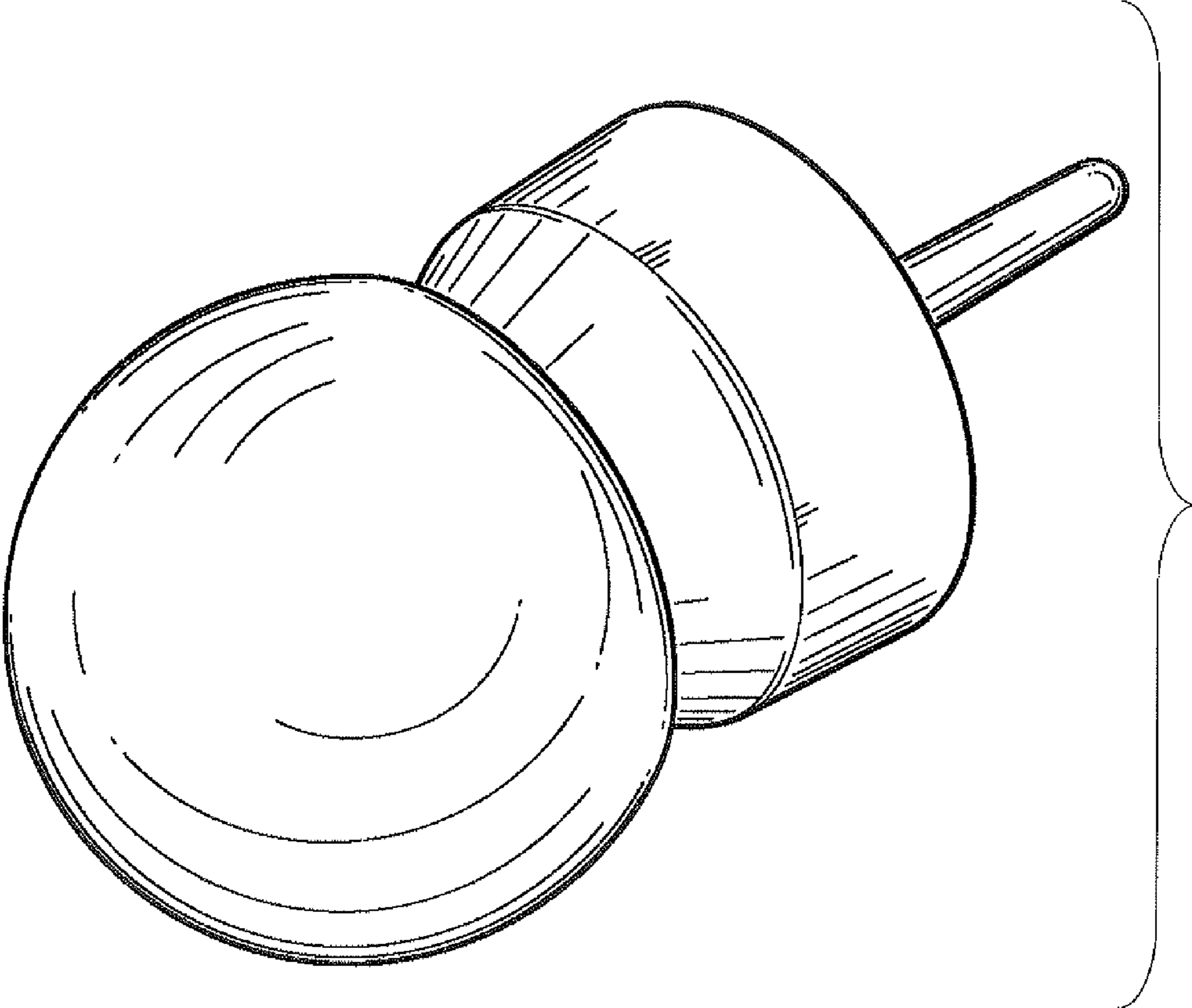


FIG. 2

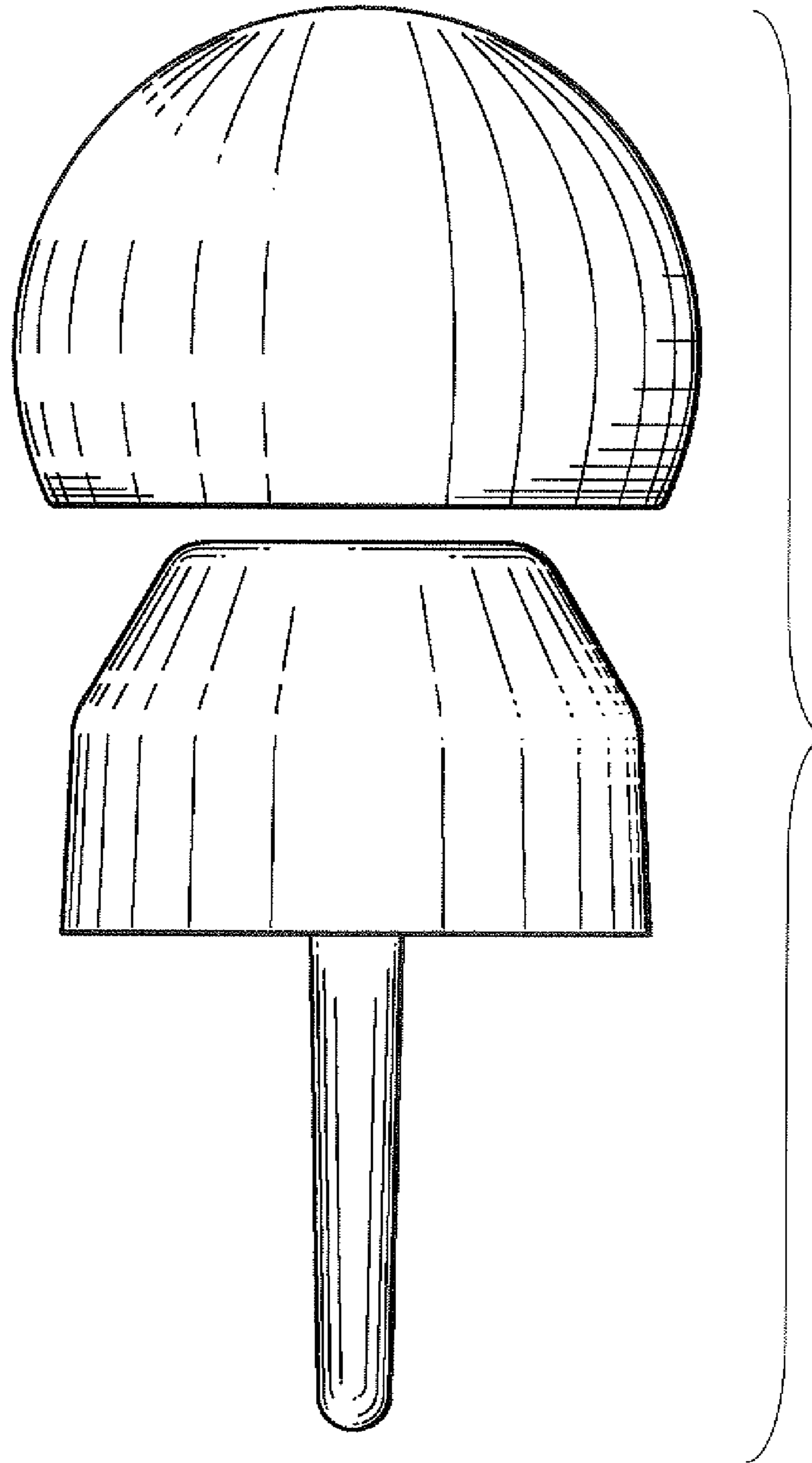


FIG. 3

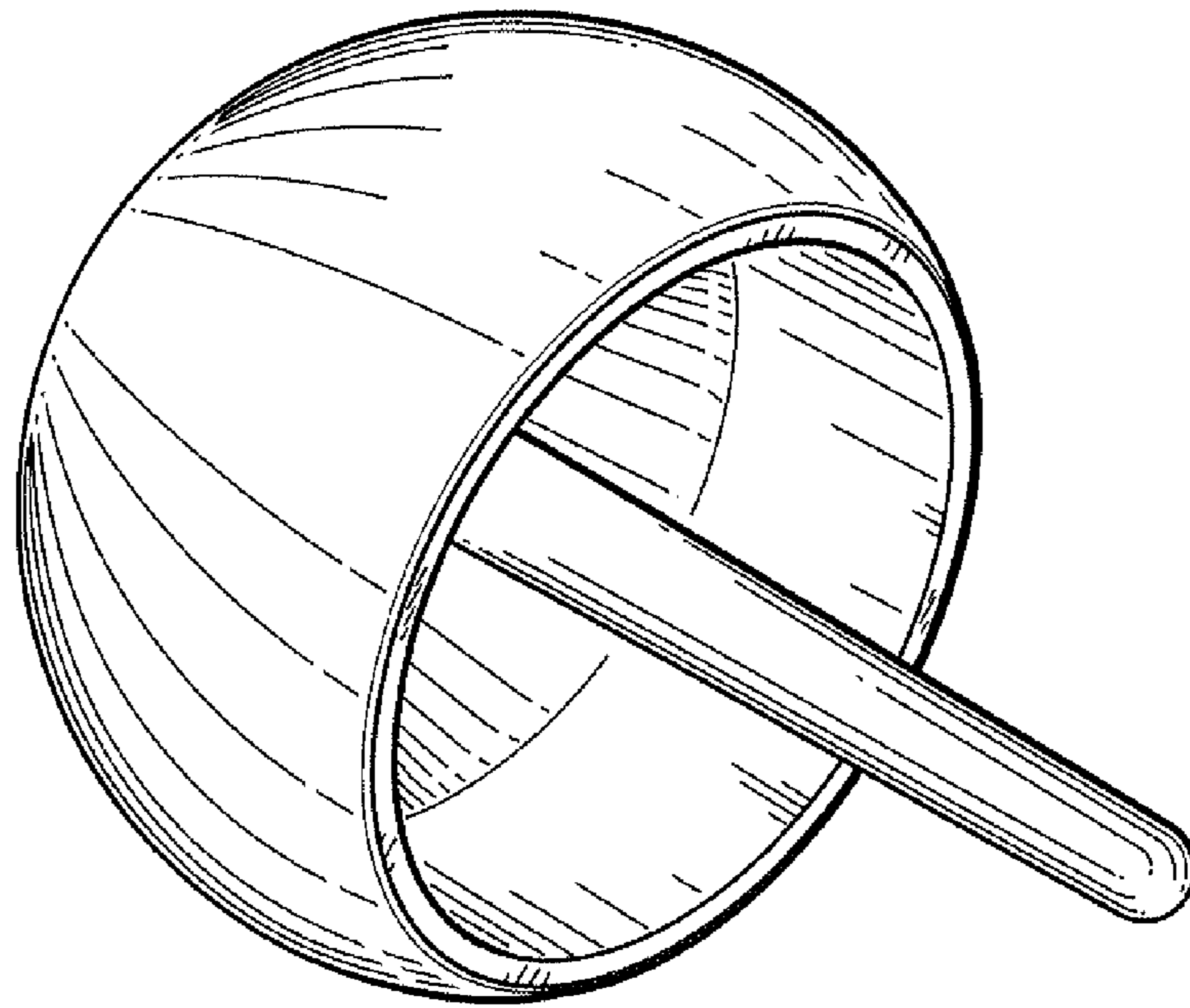


FIG. 4

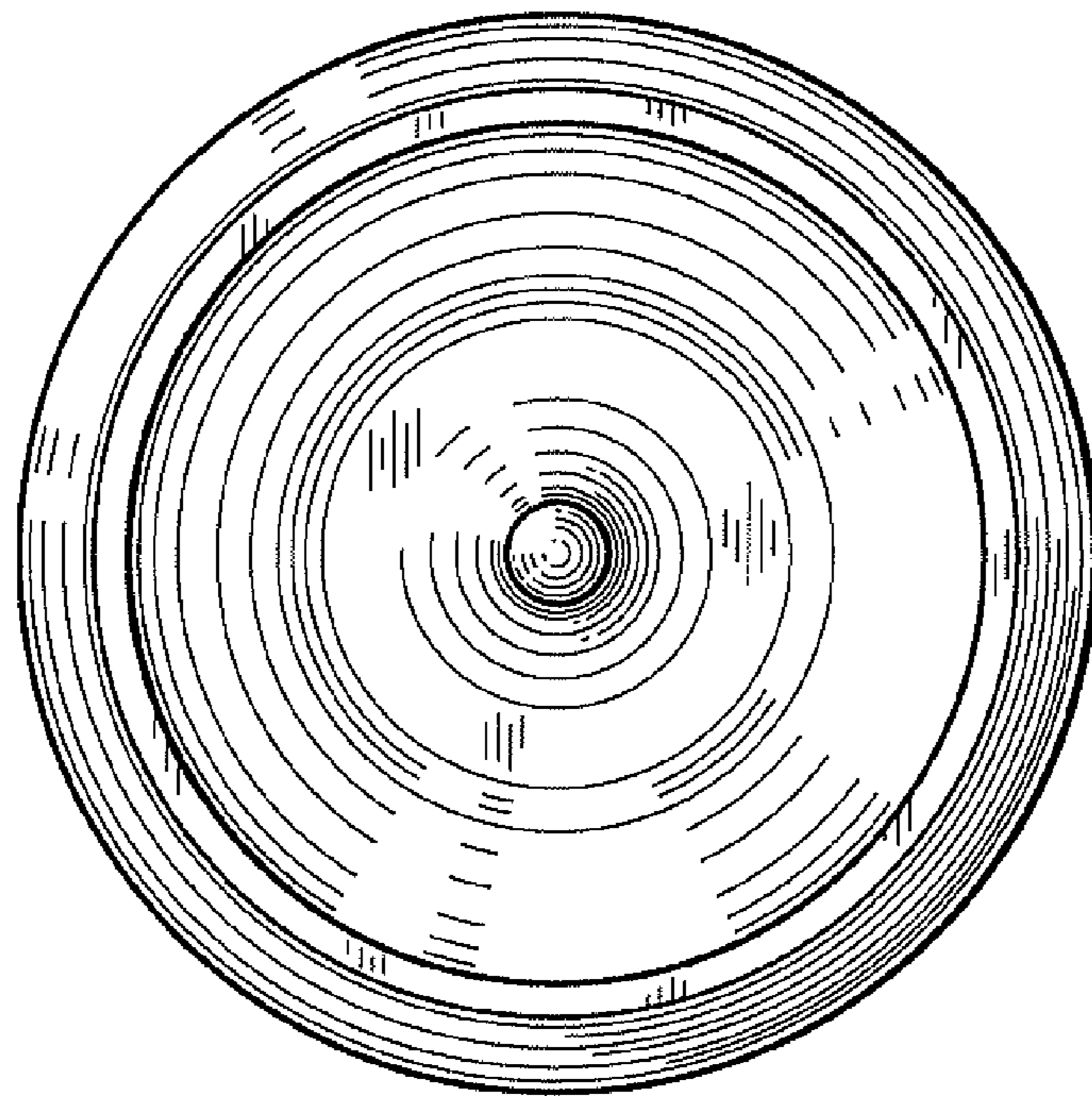


FIG. 5

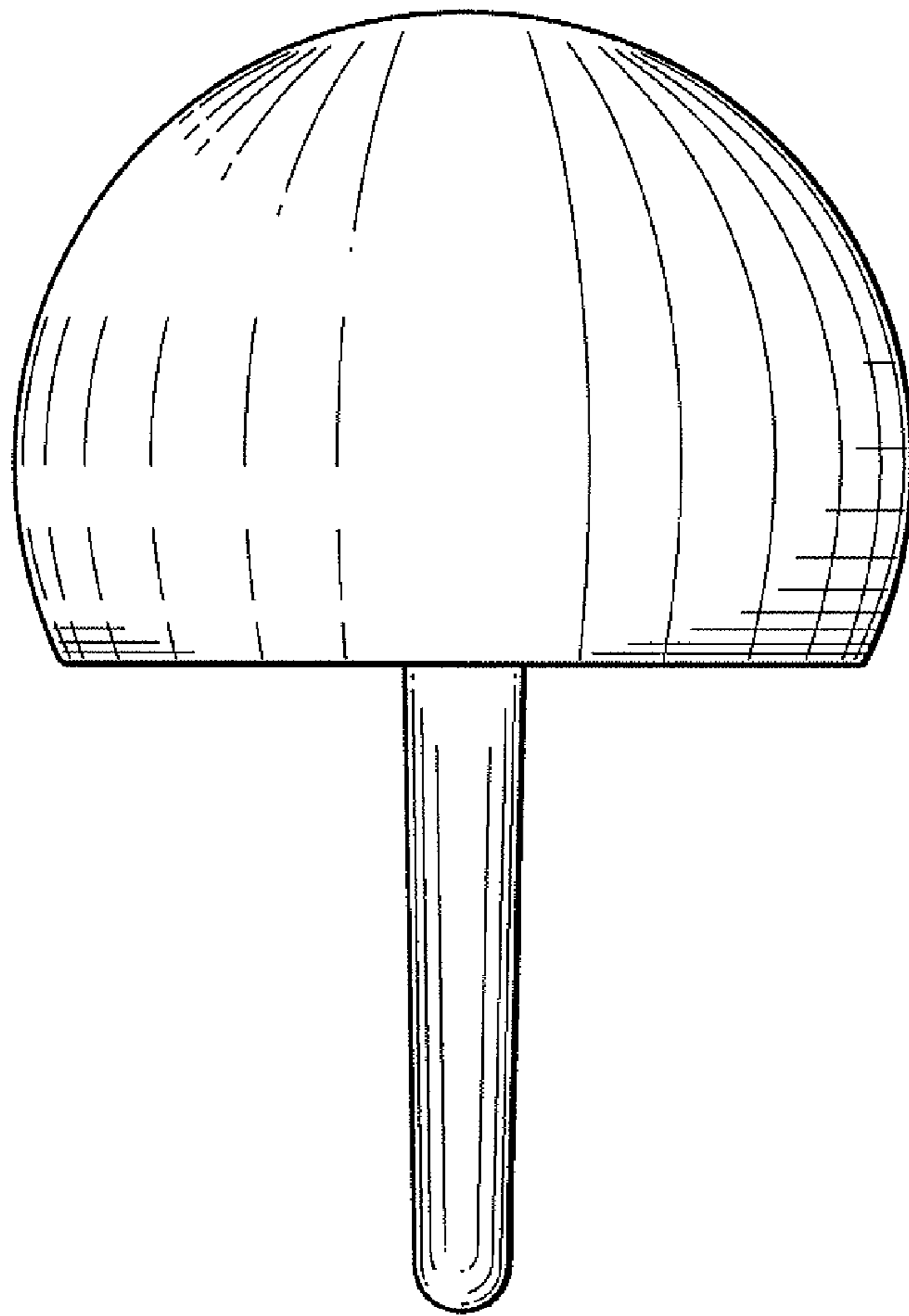


FIG. 6

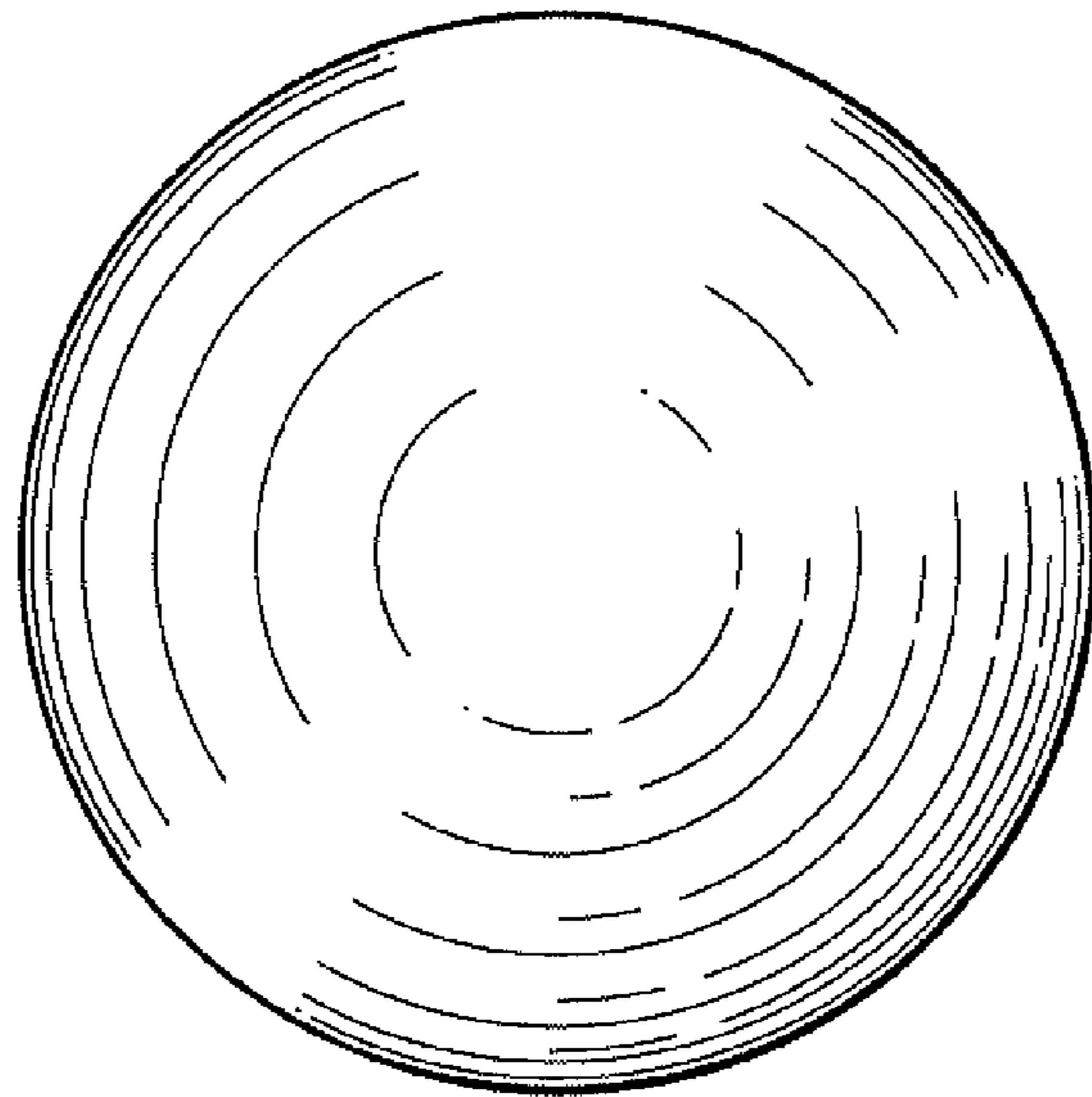


FIG. 7