



US00D643923S

(12) **United States Design Patent**
Senda

(10) **Patent No.:** **US D643,923 S**

(45) **Date of Patent:** **** Aug. 23, 2011**

(54) **BIOPSY NEEDLE SUPPORT DEVICE**

(75) Inventor: **Yutaka Senda**, Kanagawa (JP)

(73) Assignee: **Fujifilm Corporation**, Tokyo (JP)

(**) Term: **14 Years**

(21) Appl. No.: **29/368,451**

(22) Filed: **Aug. 24, 2010**

(30) **Foreign Application Priority Data**

Jul. 4, 2010 (JP) 2010-008752

(51) **LOC (9) Cl.** **24-02**

(52) **U.S. Cl.** **D24/140; D24/128; D24/133**

(58) **Field of Classification Search** D24/140,
D24/108, 127-128, 130, 133, 146-147; 600/461,
600/564, 566-567, 573; 604/164.08, 110,
604/192

See application file for complete search history.

(56) **References Cited**

U.S. PATENT DOCUMENTS

D312,870	S *	12/1990	Young	D24/128
D424,693	S *	5/2000	Pruter	D24/130
D435,908	S *	1/2001	Wilkinson et al.	D24/130
6,558,337	B2 *	5/2003	Dvorak et al.	600/564
6,613,022	B1 *	9/2003	Doyle	604/192
7,226,424	B2 *	6/2007	Ritchart et al.	600/566
7,753,877	B2 *	7/2010	Bialecki et al.	604/110
7,794,411	B2 *	9/2010	Ritchart et al.	600/567
D625,805	S *	10/2010	Hereford	D24/140

D630,731	S *	1/2011	Schmutzer et al.	D24/128
2005/0165328	A1 *	7/2005	Heske et al.	600/566
2007/0149893	A1 *	6/2007	Heske et al.	600/566
2011/0021946	A1 *	1/2011	Heske et al.	600/566

* cited by examiner

Primary Examiner — Ian Simmons

Assistant Examiner — Wan Laymon

(74) *Attorney, Agent, or Firm* — Young & Thompson

(57) **CLAIM**

The ornamental design for a biopsy needle support device, as shown and described.

DESCRIPTION

FIG. 1 is a top, front and side perspective view of a biopsy needle support device showing our new design; FIG. 2 is a top, front and side perspective view thereof; FIG. 3 is a front elevational view thereof; FIG. 4 is a rear elevational view thereof; FIG. 5 is a top plan view thereof; FIG. 6 is a bottom plan view thereof; FIG. 7 is a right side elevational view thereof; FIG. 8 is a front elevational view thereof, where the attachment portion slid to a different position; FIG. 9 is a top, front and side perspective view thereof, where the attachment portion slid in an upward position; FIG. 10 is a right side elevational view thereof, where the attachment portion is in a rotated position; and, FIG. 11 is a reference view of usage thereof, where broken lines showing portions of the biopsy needle support device are included for illustrating environmental structure and form no part of the claimed design.

1 Claim, 9 Drawing Sheets

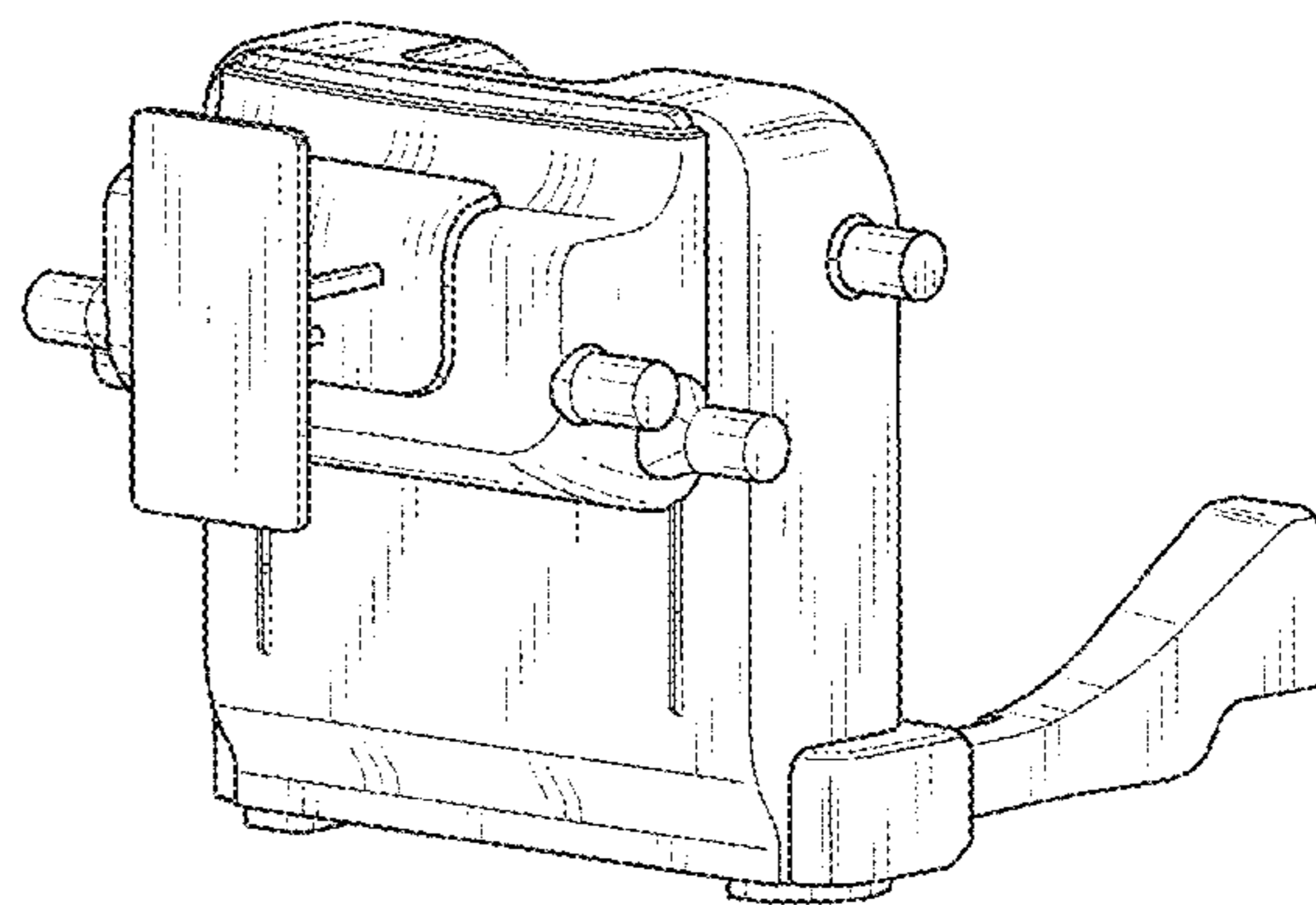
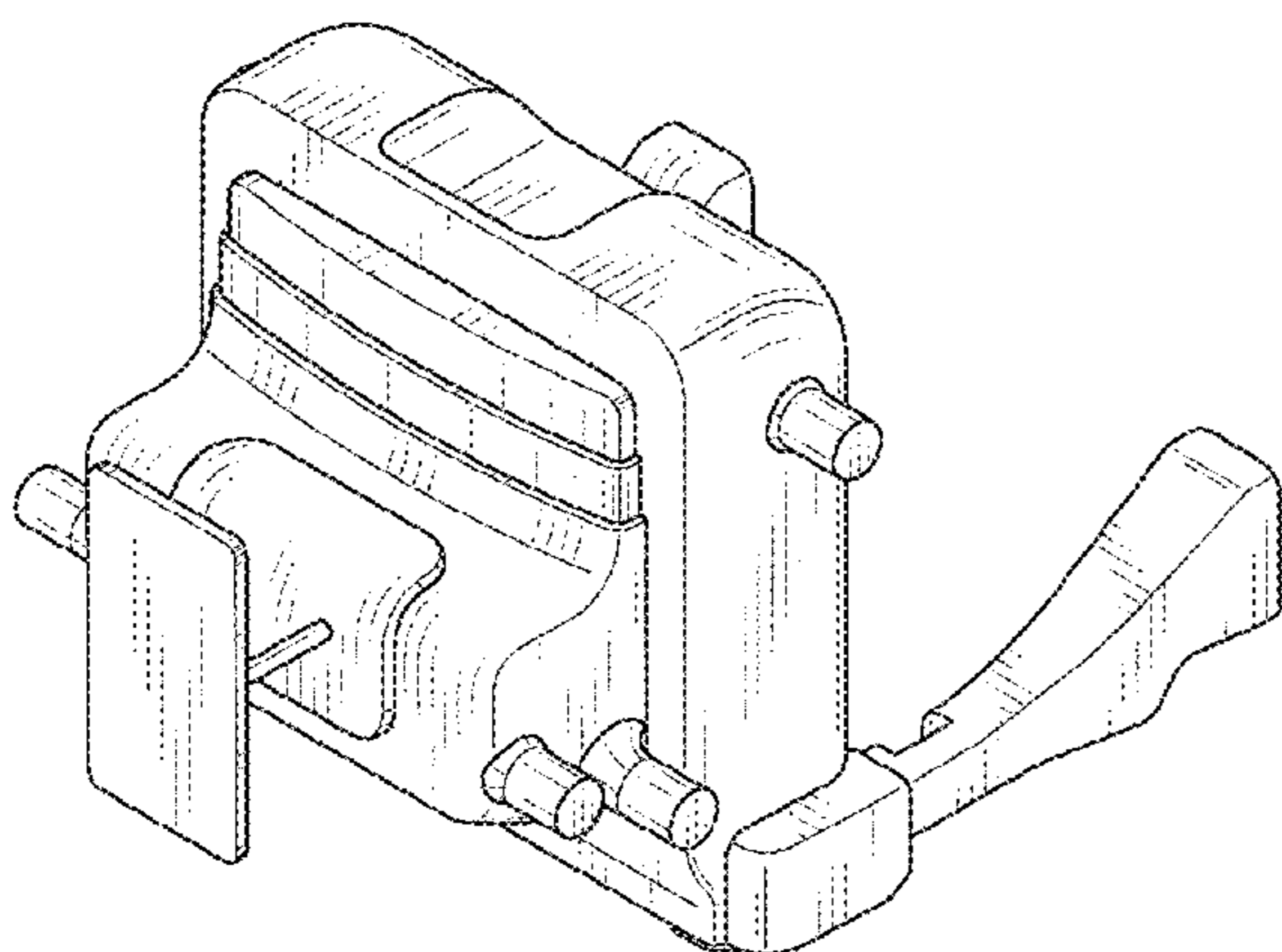


FIG. 1

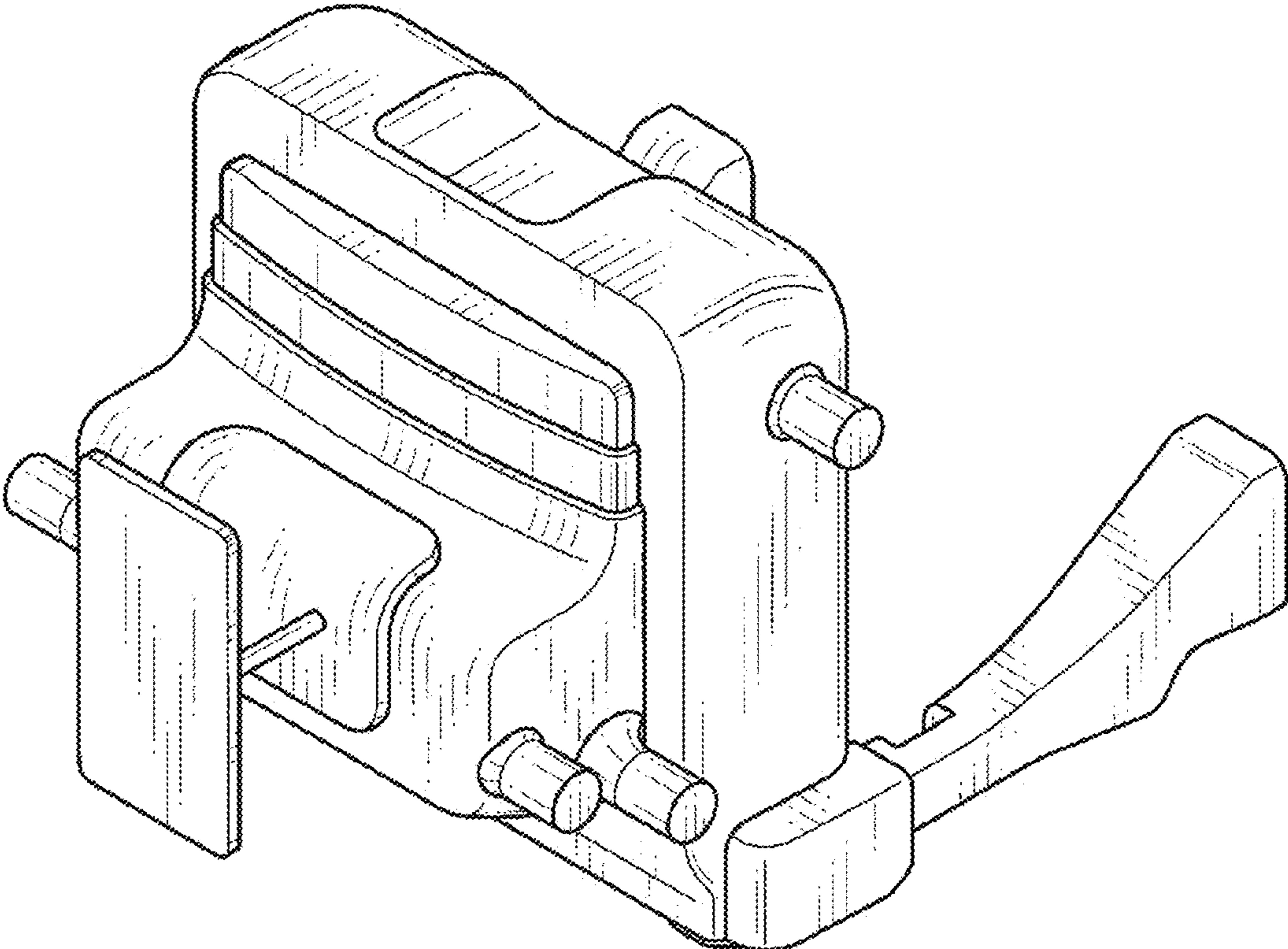


FIG. 2

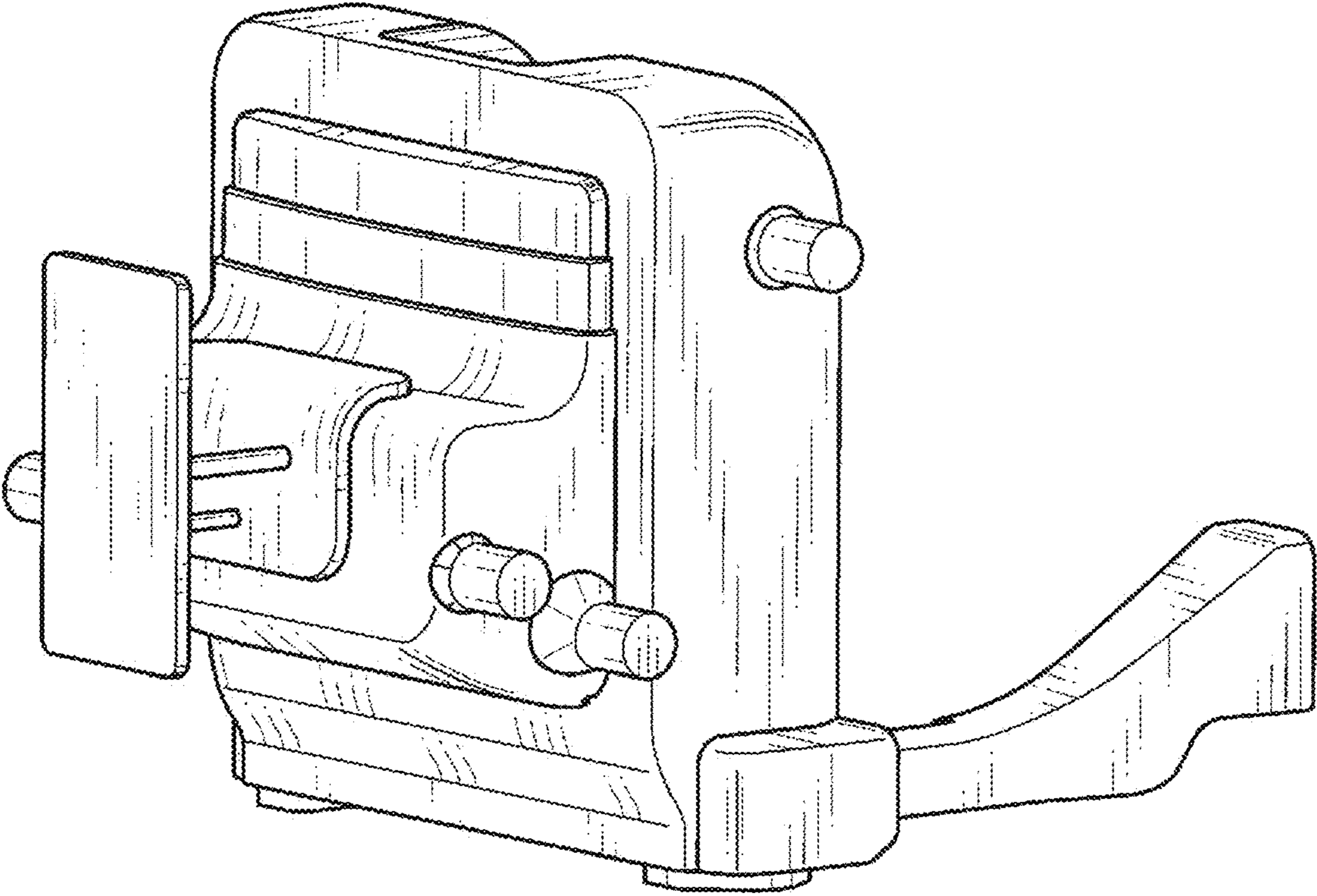


FIG. 3

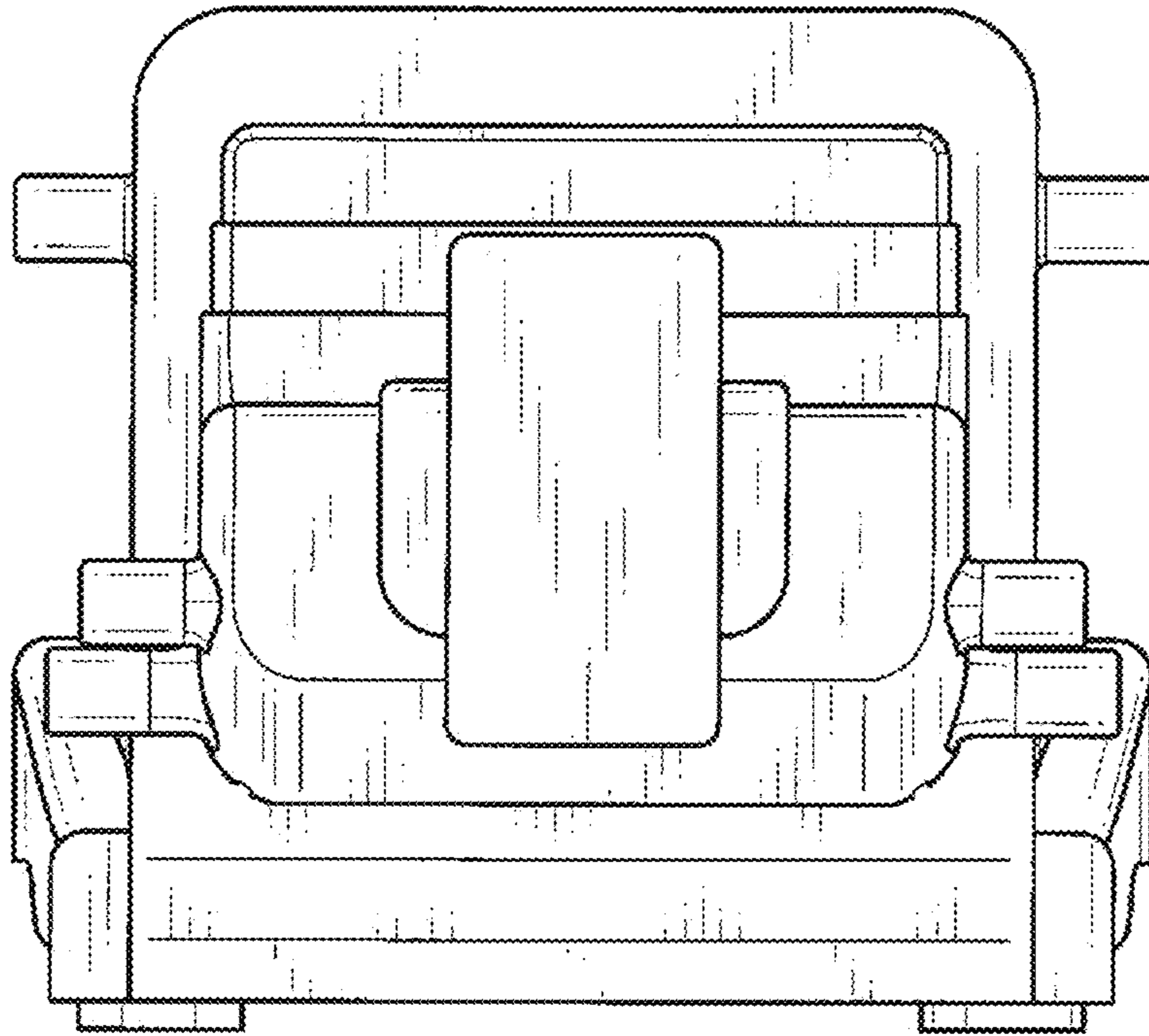


FIG. 4

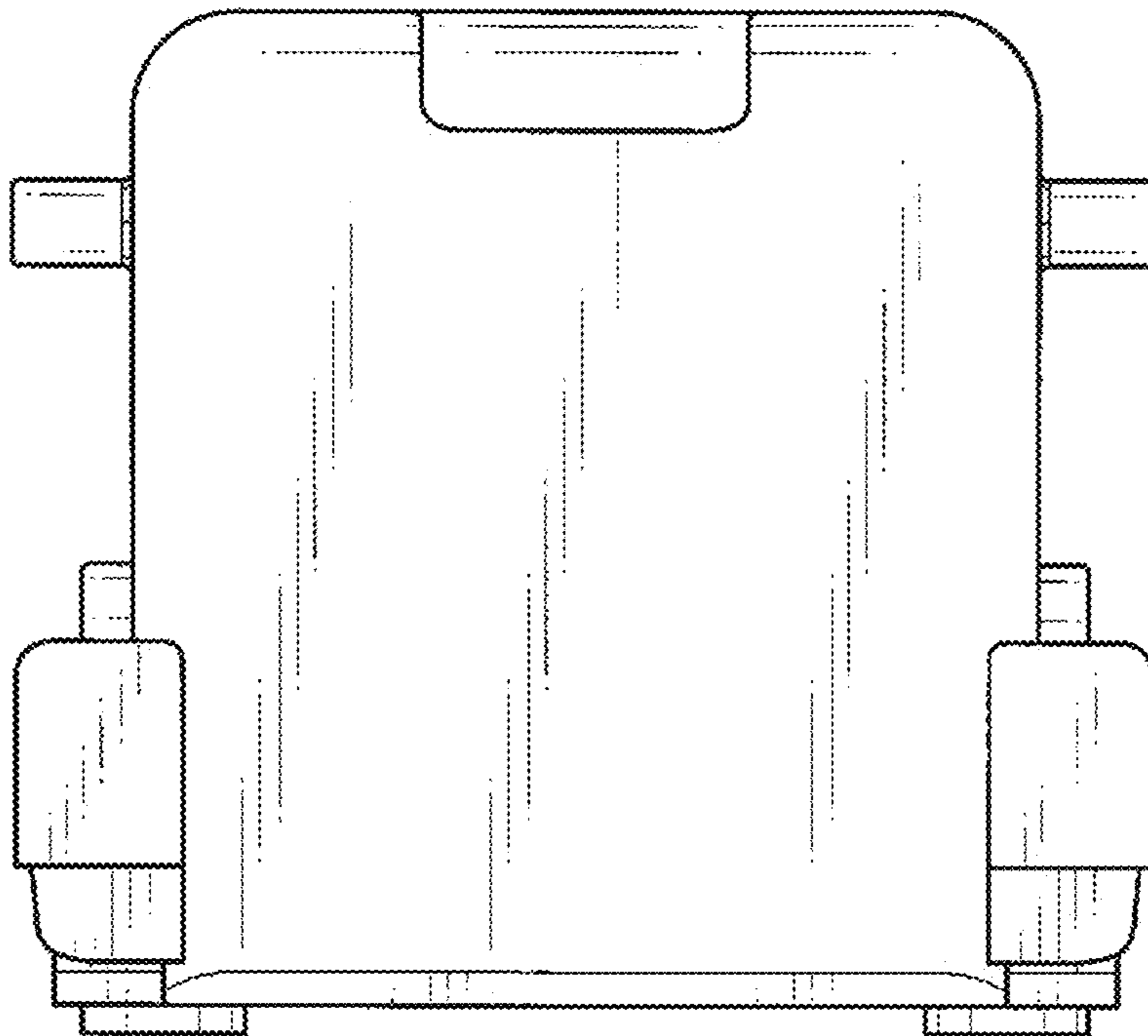


FIG. 5

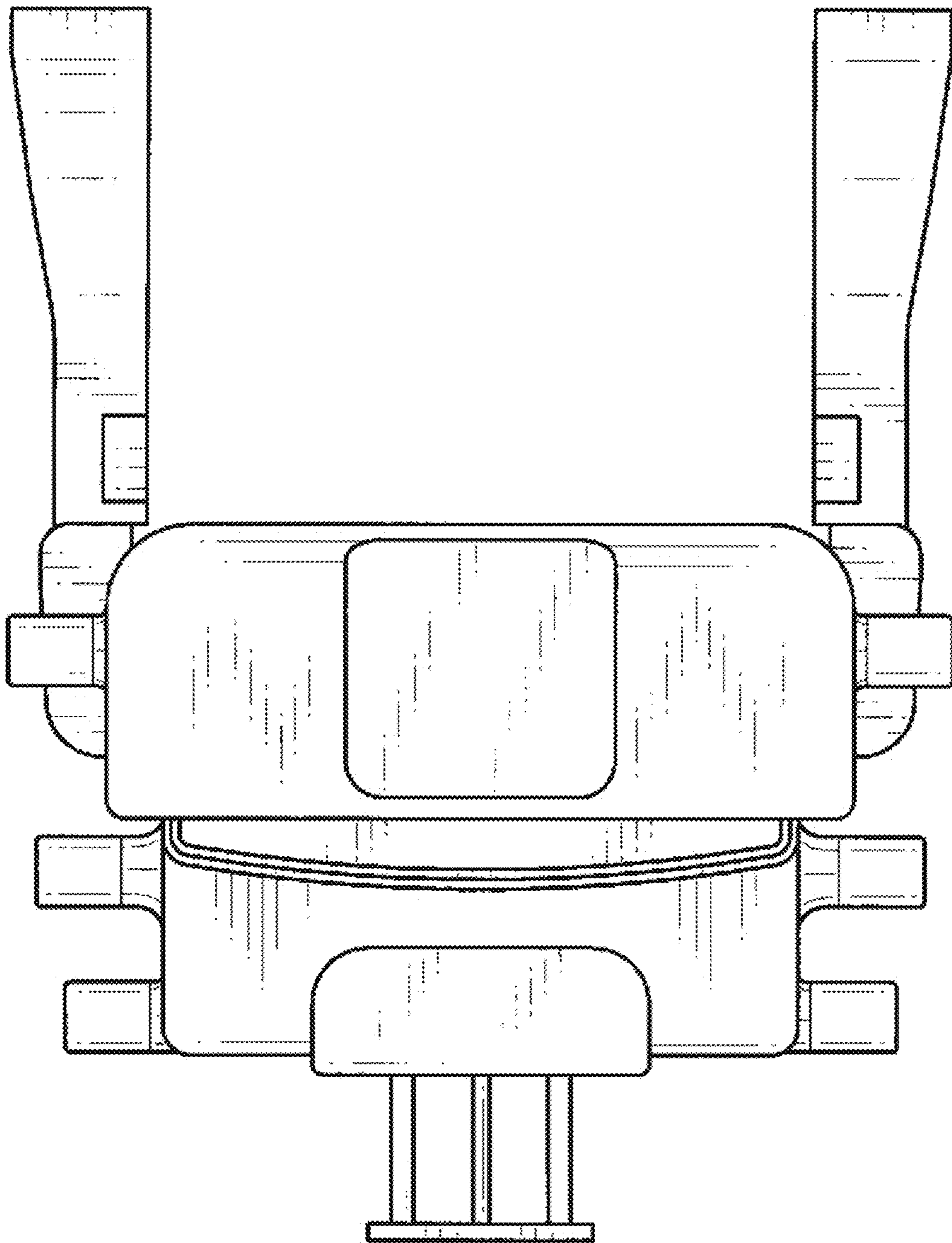


FIG. 6

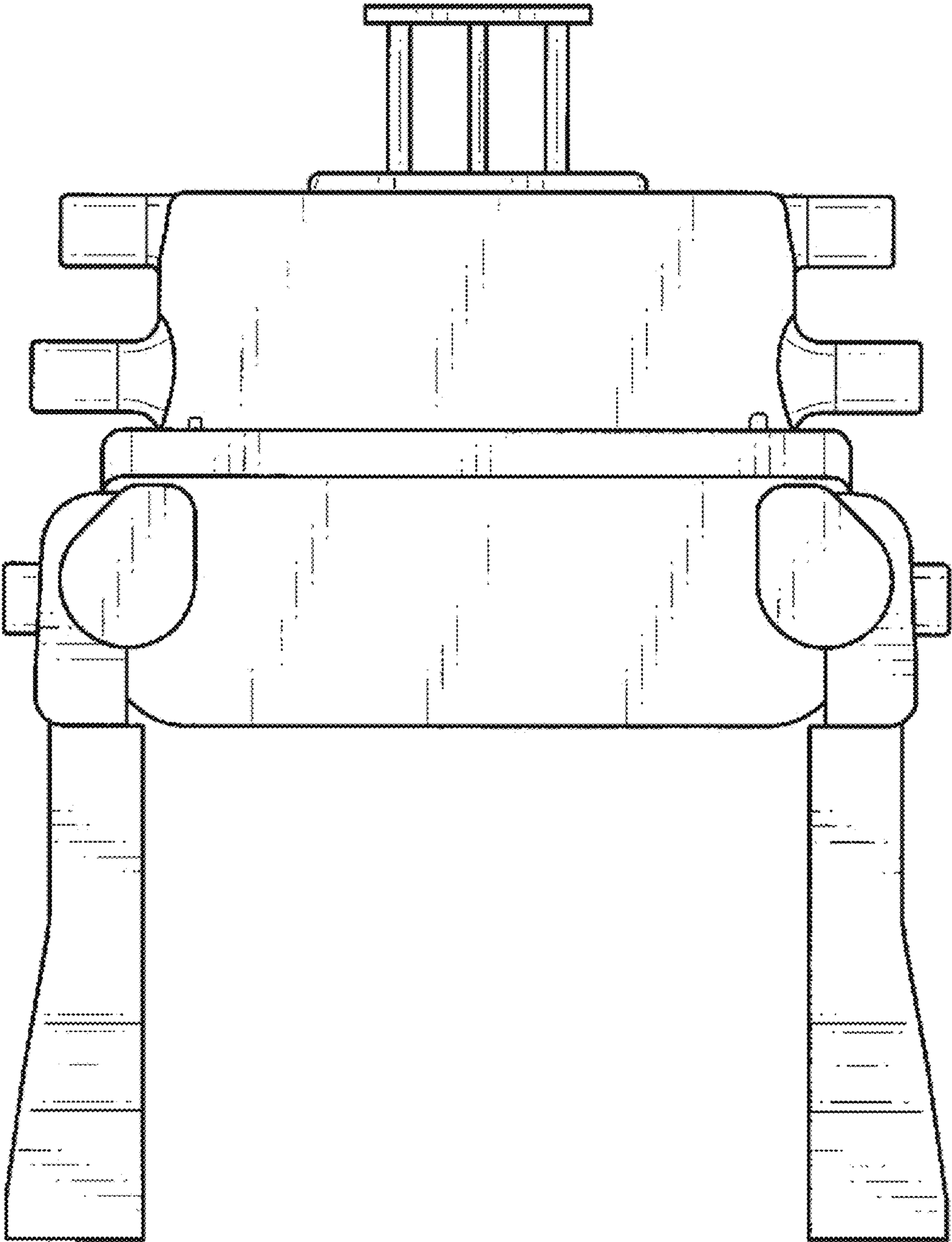


FIG. 7

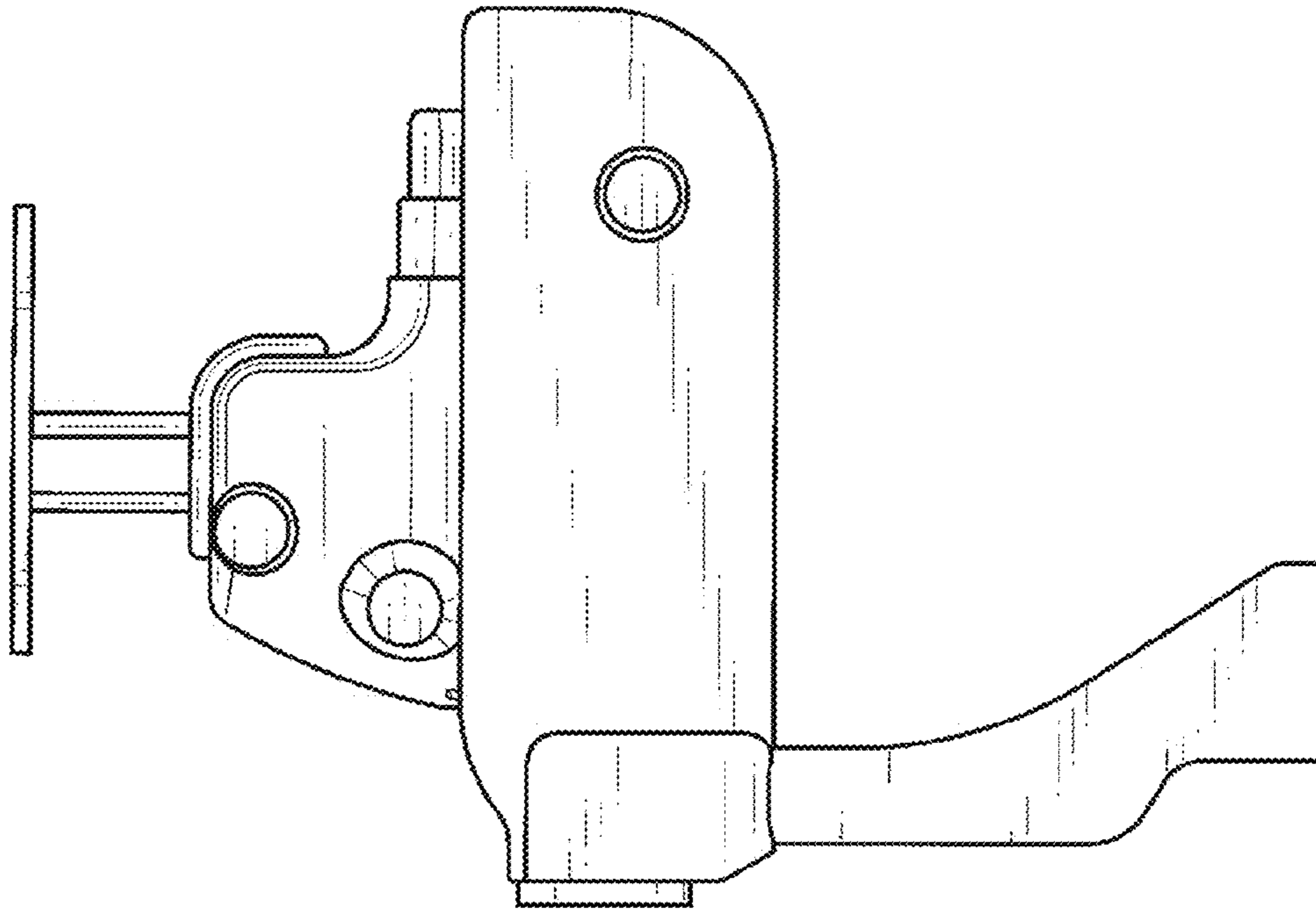


FIG. 8

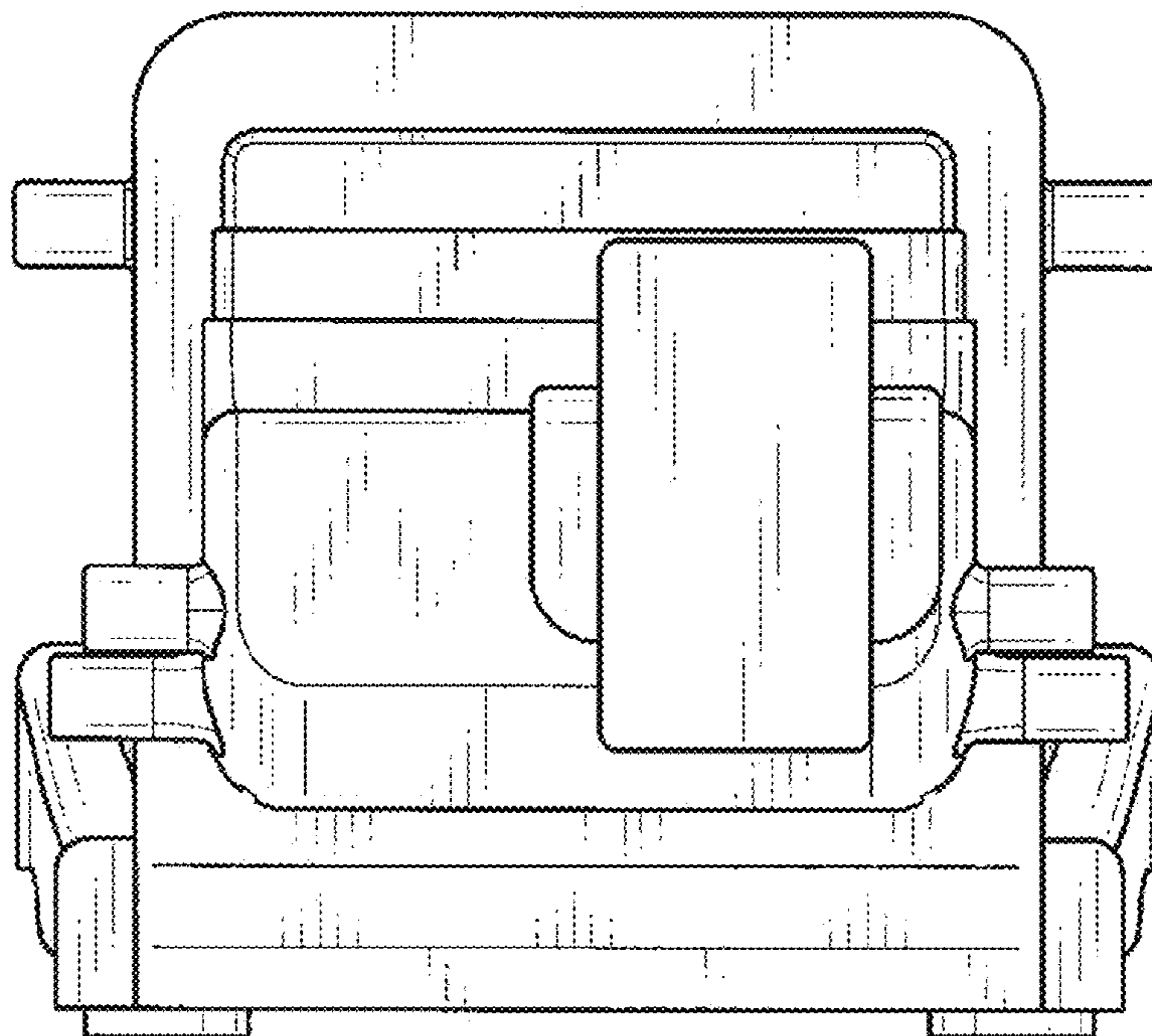


FIG. 9

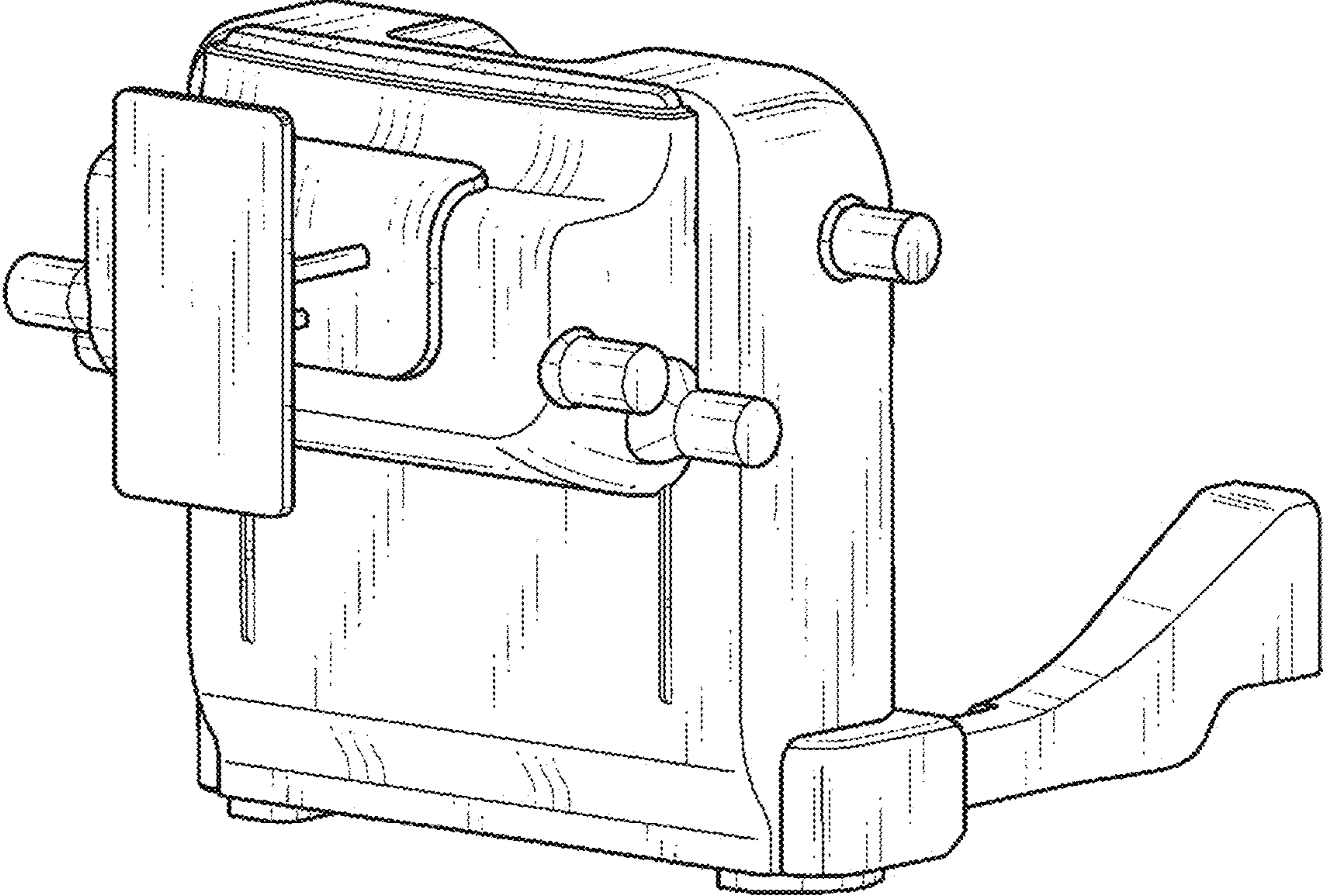


FIG. 10

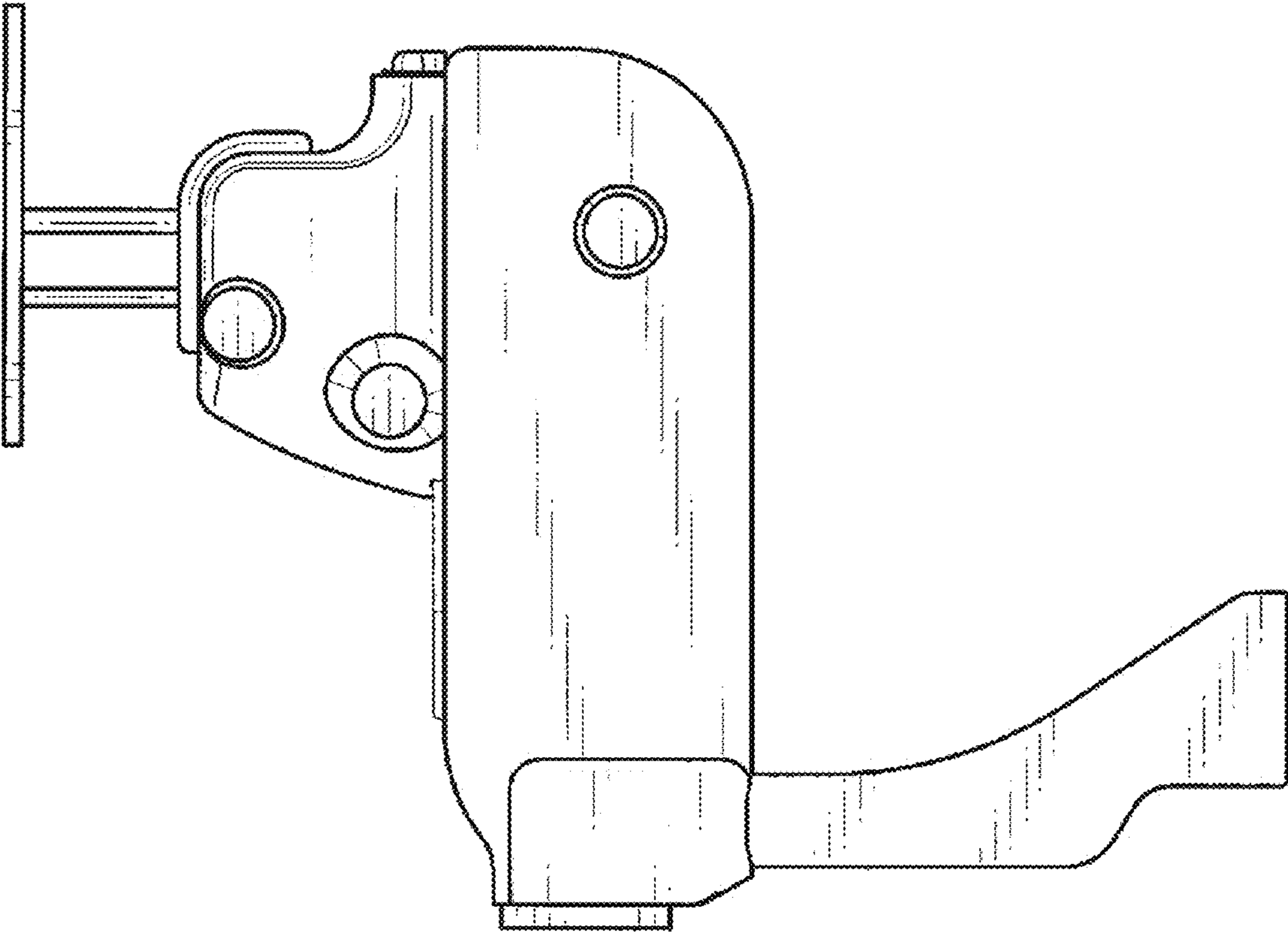
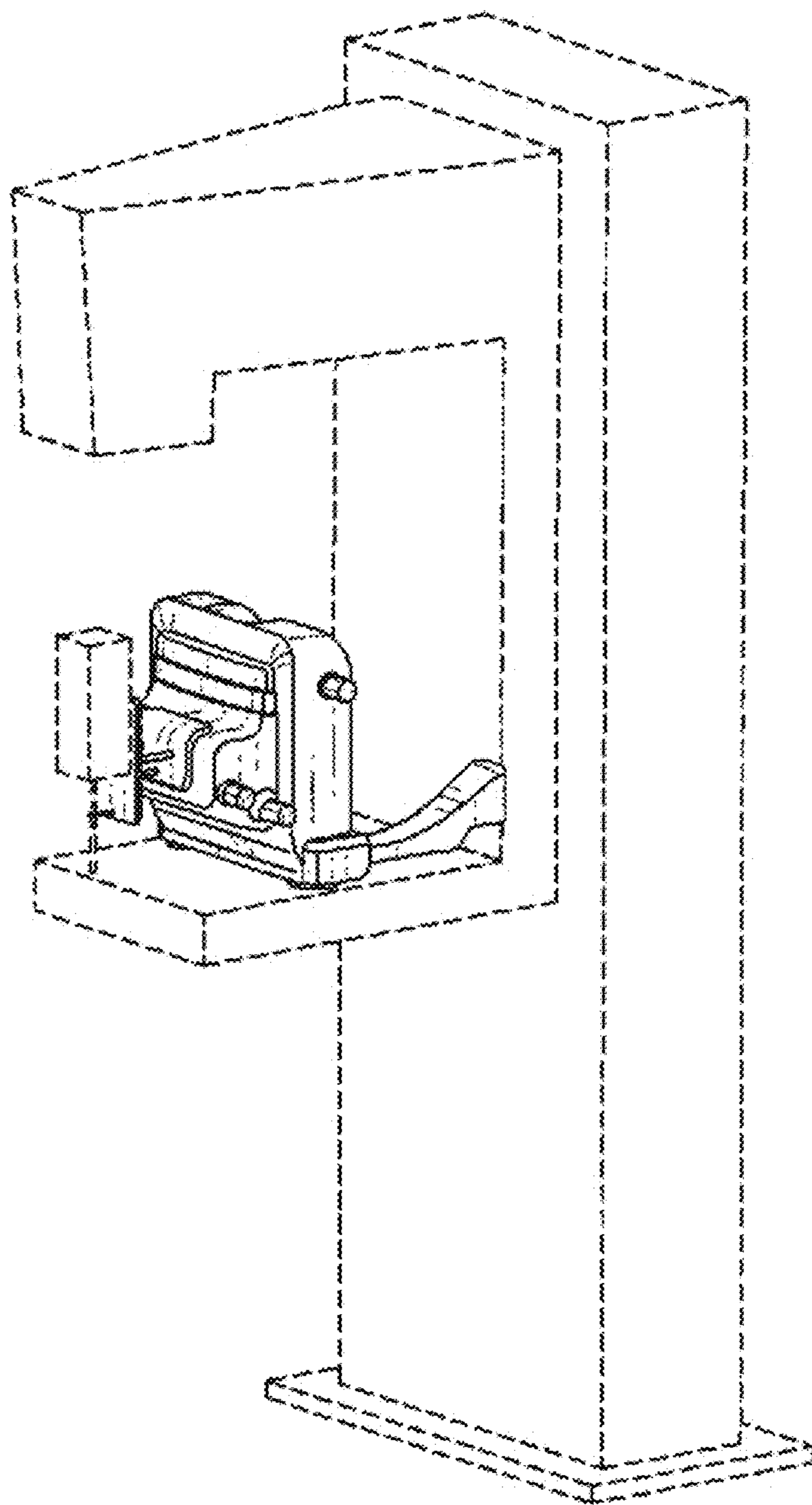


FIG. 11



UNITED STATES PATENT AND TRADEMARK OFFICE
CERTIFICATE OF CORRECTION

PATENT NO. : D643,923 S
APPLICATION NO. : 29/368451
DATED : August 23, 2011
INVENTOR(S) : Yutaka Senda

Page 1 of 1

It is certified that error appears in the above-identified patent and that said Letters Patent is hereby corrected as shown below:

On the Title Page:

Item (30) "Foreign Application Priority Data
Jul. 4, 2010 (JP) 2010-008752"

should read

Item (30) --Foreign Application Priority Data
Apr. 7, 2010 (JP) 2010-008752--

Signed and Sealed this
Twenty-ninth Day of November, 2011



David J. Kappos
Director of the United States Patent and Trademark Office