



US00D643922S

(12) **United States Design Patent**  
**Tanaka**

(10) **Patent No.:** **US D643,922 S**

(45) **Date of Patent:** **\*\* Aug. 23, 2011**

(54) **CONTROLLER FOR ENDOSCOPE**

(75) Inventor: **Kunihiko Tanaka**, Tokyo (JP)

(73) Assignee: **Fujinon Corporation**, Saitama-shi,  
Saitama (JP)

(\*\*) Term: **14 Years**

(21) Appl. No.: **29/368,948**

(22) Filed: **Aug. 31, 2010**

**Related U.S. Application Data**

(62) Division of application No. 29/341,367, filed on Aug. 4, 2009, now Pat. No. Des. 624,650, which is a division of application No. 29/309,024, filed on Jun. 12, 2008, now Pat. No. Des. 600,345.

(30) **Foreign Application Priority Data**

Dec. 14, 2007	(JP)	.....	2007-034316
Dec. 14, 2007	(JP)	.....	2007-034317
Dec. 14, 2007	(JP)	.....	2007-034318
Dec. 14, 2007	(JP)	.....	2007-034319
Dec. 14, 2007	(JP)	.....	2007-034320
Dec. 14, 2007	(JP)	.....	2007-034321

(51) **LOC (9) Cl.** ..... **24-02**

(52) **U.S. Cl.** ..... **D24/138**

(58) **Field of Classification Search** ..... D24/138,  
D24/107, 111, 144, 170, 176; D16/219,  
D16/225, 230, 235; 600/132, 144, 160, 170,  
600/178; D12/192, 195; D18/50, 18, 40-41,  
D18/56; D14/420-425, 361-363, 462-470,  
D14/348, 351, 353-357, 433  
See application file for complete search history.

(56) **References Cited**

**U.S. PATENT DOCUMENTS**

D353,390	S	*	12/1994	Zavracky et al.	.....	D16/235
D354,076	S	*	1/1995	Fukuda et al.	.....	D18/36
D373,379	S	*	9/1996	Sugimoto	.....	D18/50

D393,278	S	*	4/1998	Lee	.....	D18/50
D402,680	S		12/1998	Gotham et al.		
D420,986	S	*	2/2000	Kelley et al.	.....	D14/348

(Continued)

**FOREIGN PATENT DOCUMENTS**

CN	200830129231	*	8/2009
CN	200830127918	*	9/2009
KR	3020080023425	*	9/2009
KR	3020080023426	*	9/2009

**OTHER PUBLICATIONS**

Office Action issued Mar. 20, 2009 in U.S. Appl. No. 29/309,024, filed Jun. 12, 2008.

Office Action issued Dec. 30, 2009 in U.S. Appl. No. 29/341,367, filed Aug. 4, 2009.

Office Action issued Mar. 22, 2010 in U.S. Appl. No. 29/341,367, filed Aug. 4, 2009.

*Primary Examiner* — Ian Simmons

*Assistant Examiner* — Wan Laymon

(74) *Attorney, Agent, or Firm* — Birch, Stewart, Kolasch & Birch, LLP

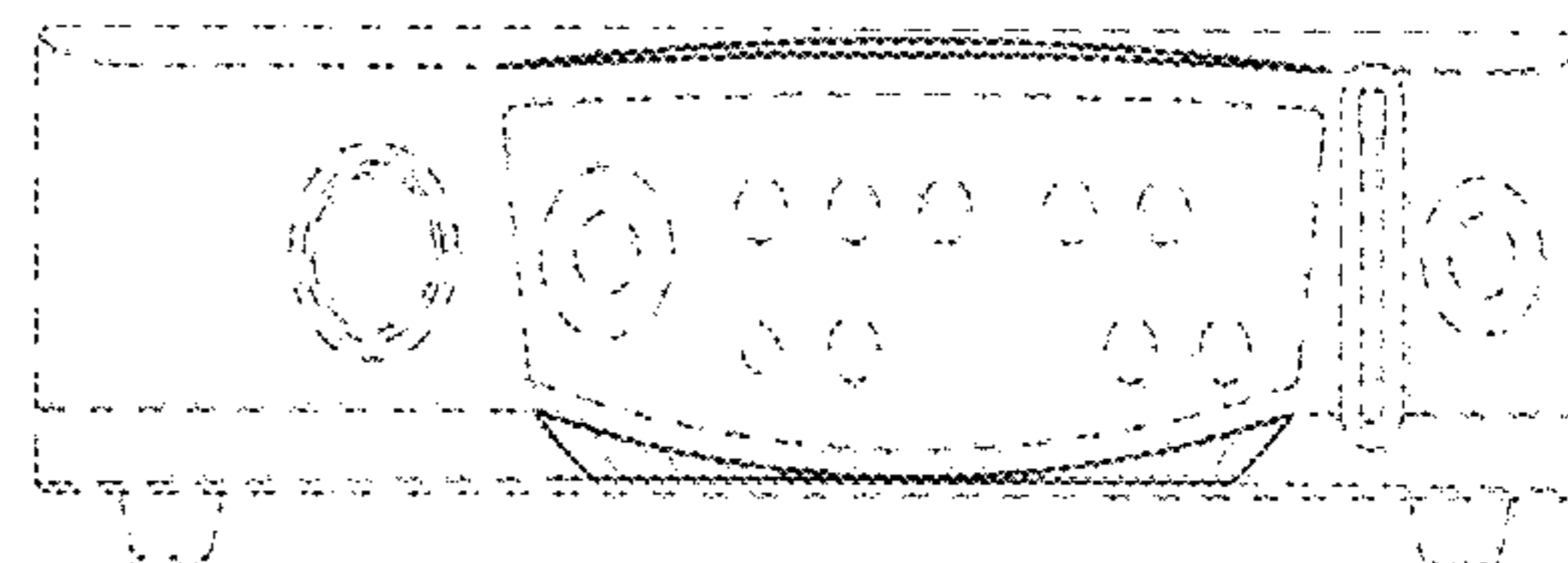
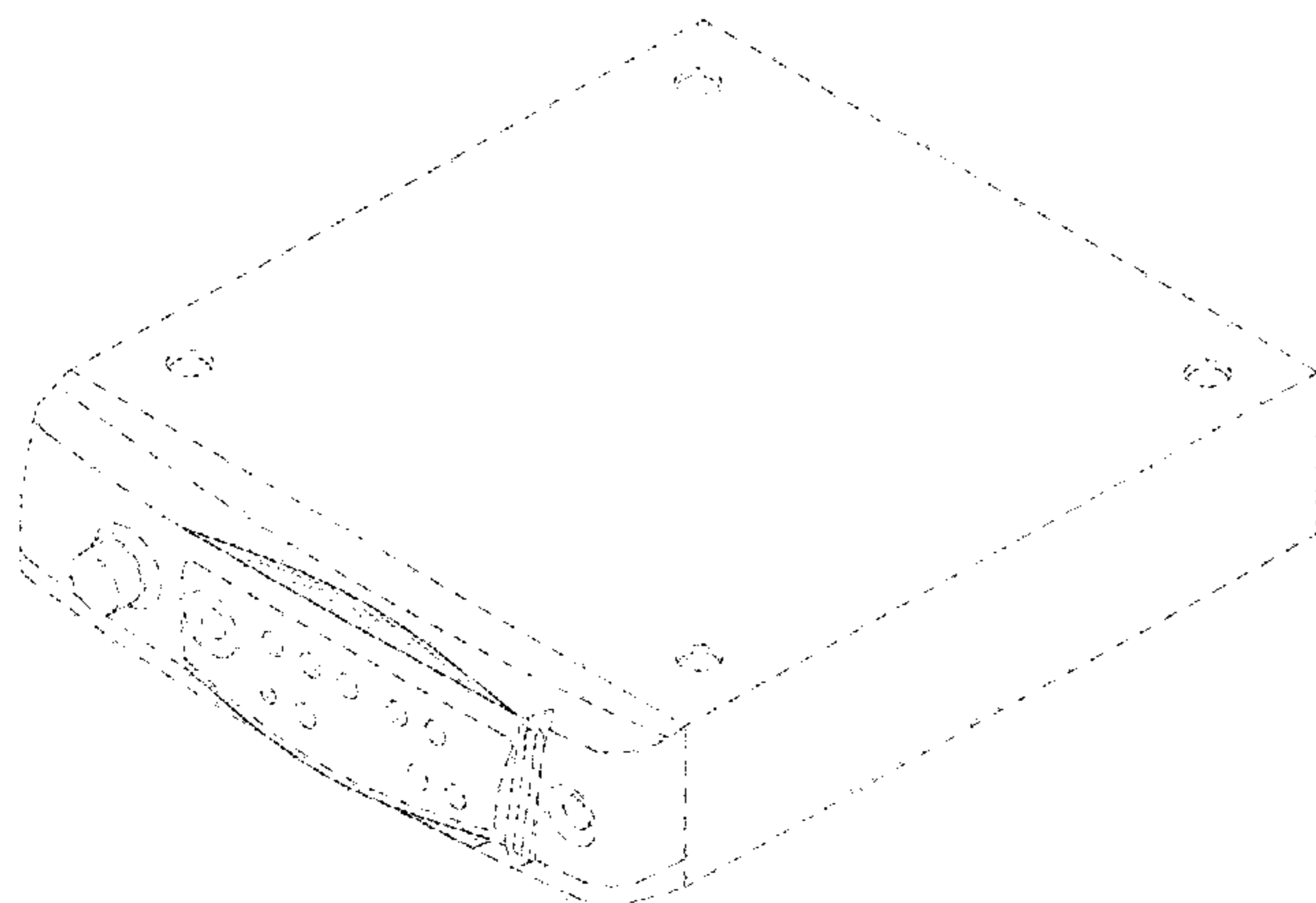
(57) **CLAIM**

The ornamental design for a controller for endoscope, as shown and described.

**DESCRIPTION**

FIG. 1 is a top, front and side perspective view of a controller for endoscope showing an embodiment of my new design; FIG. 2 is an enlarged front elevational view thereof; FIG. 3 is an enlarged top plan view thereof; FIG. 4 is an enlarged bottom plan view thereof. FIG. 5 is an enlarged right side elevational view thereof; and, FIG. 6 is an enlarged left side elevational view thereof. The portions of the controller for endoscope in broken lines are shown for illustrative purposes only and form no part of the claimed design. The claimed design for the controller for endoscope is illustrated in the figures with dark continuous lines.

**1 Claim, 6 Drawing Sheets**



# US D643,922 S

Page 2

## U.S. PATENT DOCUMENTS

D427,596 S *	7/2000	Tsai	.....	D14/356	D548,776 S *	8/2007	Egami et al.	.....	D18/50
D434,794 S *	12/2000	Bokelman et al.	.....	D18/56	D550,357 S	9/2007	Hayamizu		
D456,443 S *	4/2002	Igarashi	.....	D18/50	D552,169 S *	10/2007	Egami et al.	.....	D18/50
D457,886 S *	5/2002	Sekine	.....	D14/424	D552,241 S	10/2007	Bromley et al.		
D462,963 S *	9/2002	Yamano	.....	D14/425	D565,631 S	4/2008	Morishita		
D467,583 S *	12/2002	Chen et al.	.....	D14/353	D578,568 S *	10/2008	Chiba et al.	.....	D18/50
D477,408 S	7/2003	Bromley			D598,098 S *	8/2009	Tanaka	.....	D24/138
D524,361 S *	7/2006	Niimi et al.	.....	D18/50	D598,100 S *	8/2009	Tanaka	.....	D24/138
D532,904 S	11/2006	Hayamizu			D600,345 S	9/2009	Tanaka		
D534,275 S	12/2006	Hayamizu			2005/0267333 A1	12/2005	Hino		
D535,745 S	1/2007	Hayamizu			2006/0052663 A1	3/2006	Koitabashi		
D546,383 S *	7/2007	Wang	.....	D18/50	2008/0242936 A1	10/2008	Hino		

\* cited by examiner

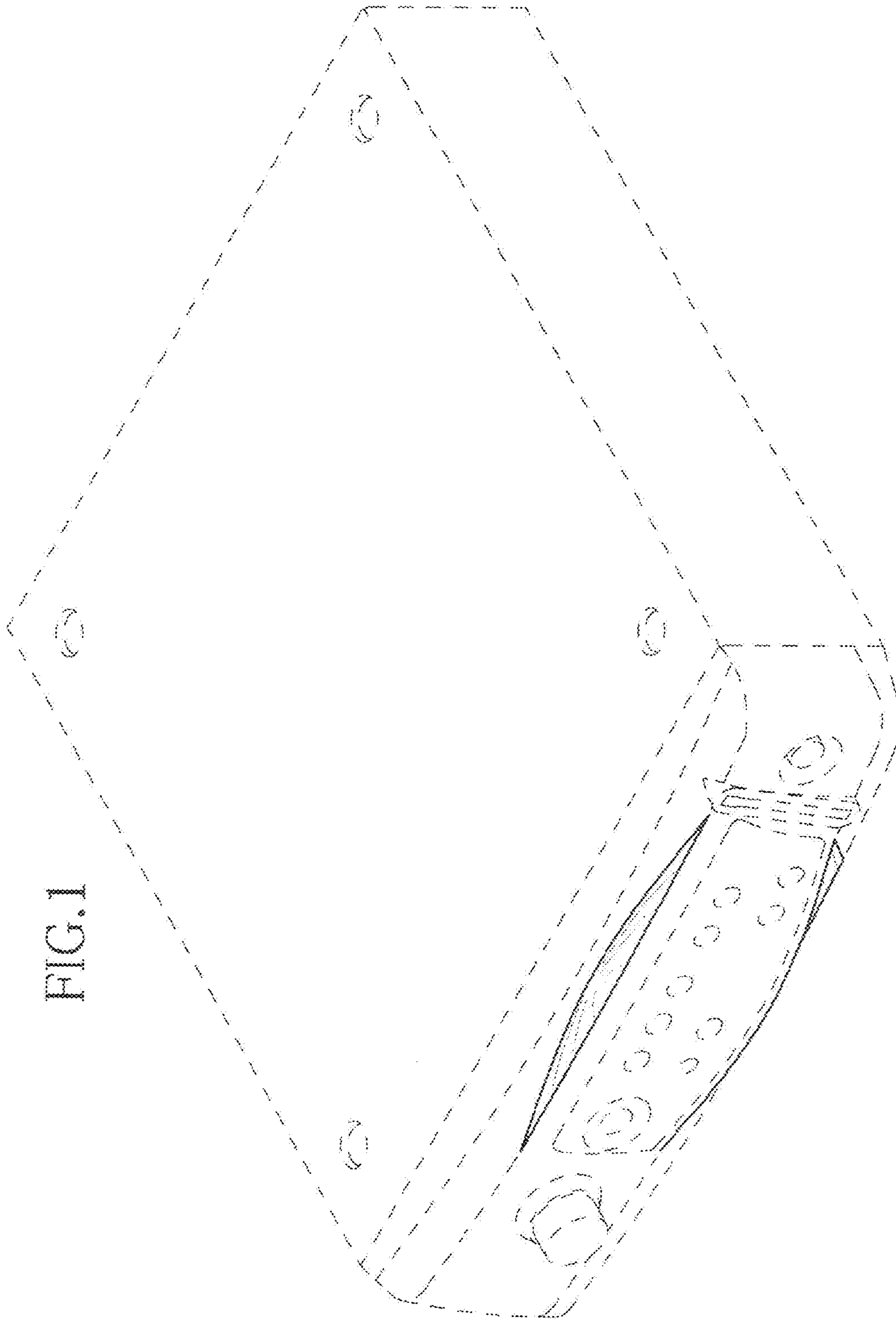


FIG. 1

FIG. 2

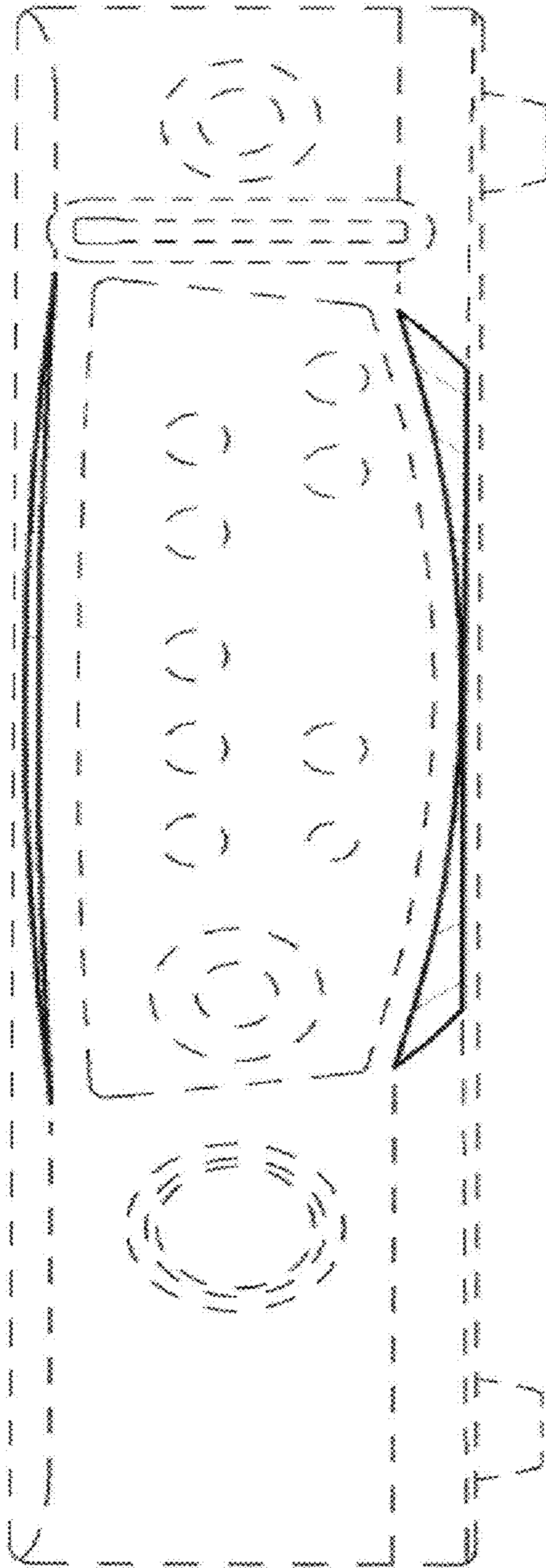


FIG. 3

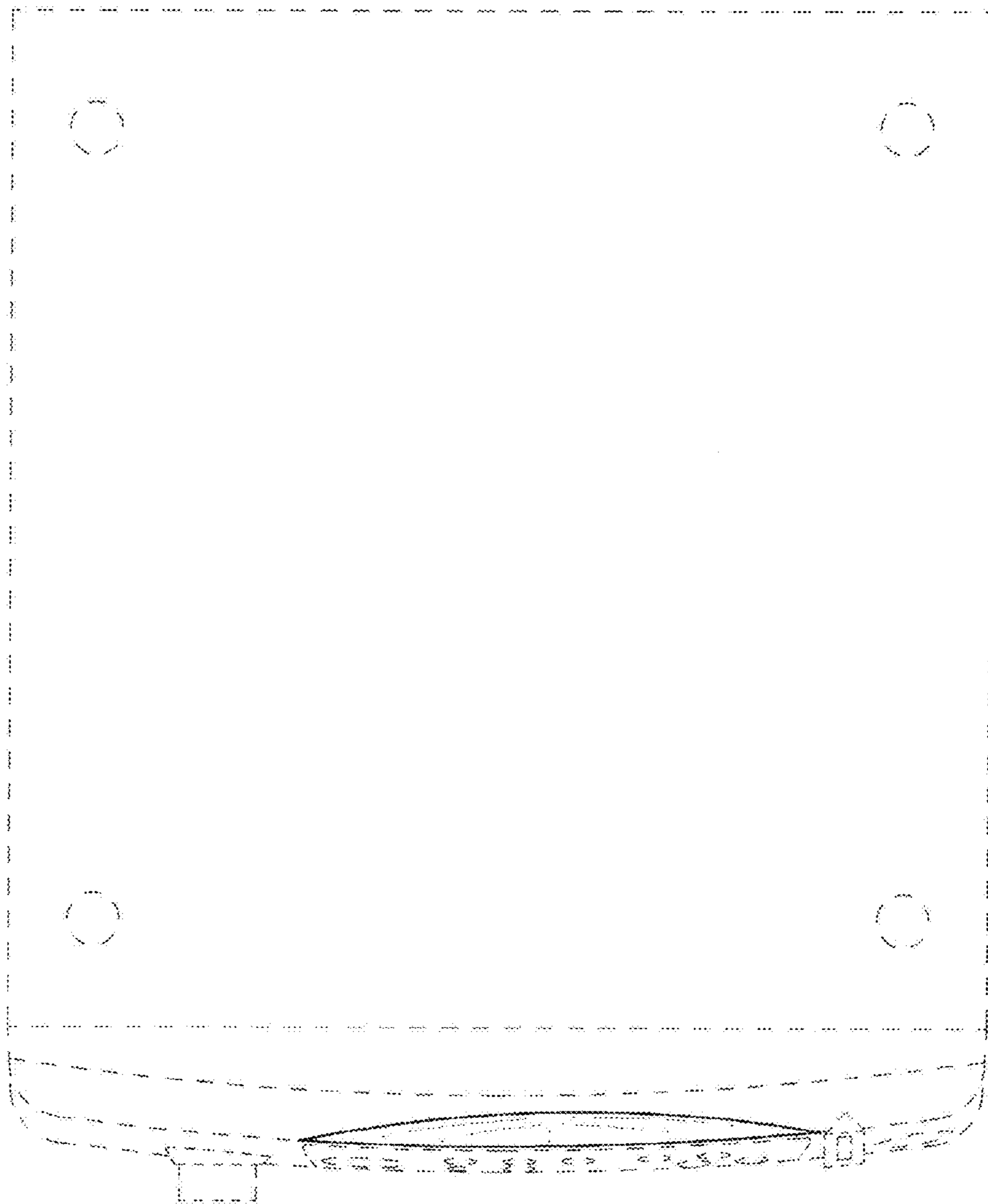


FIG. 4

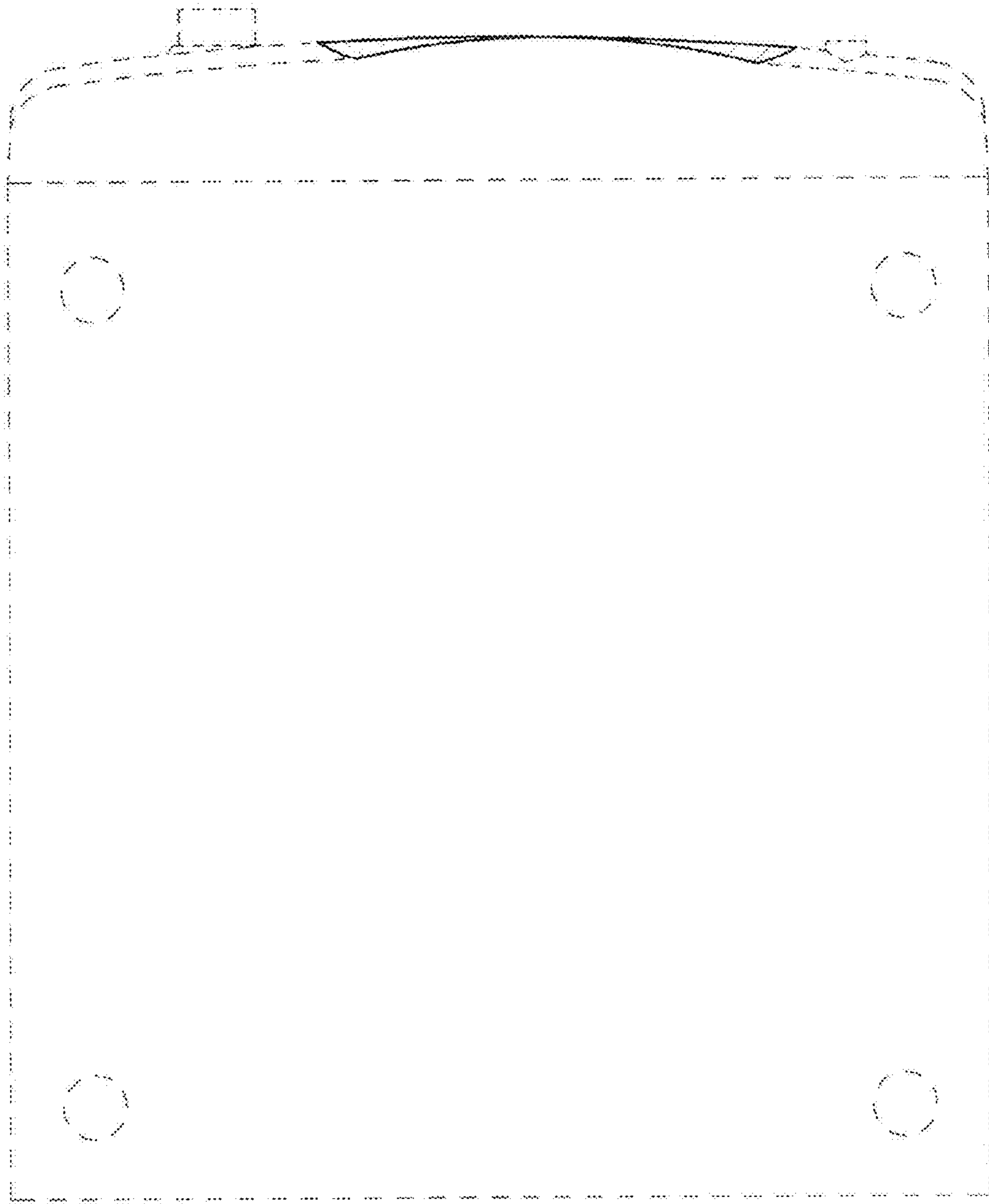


FIG. 5

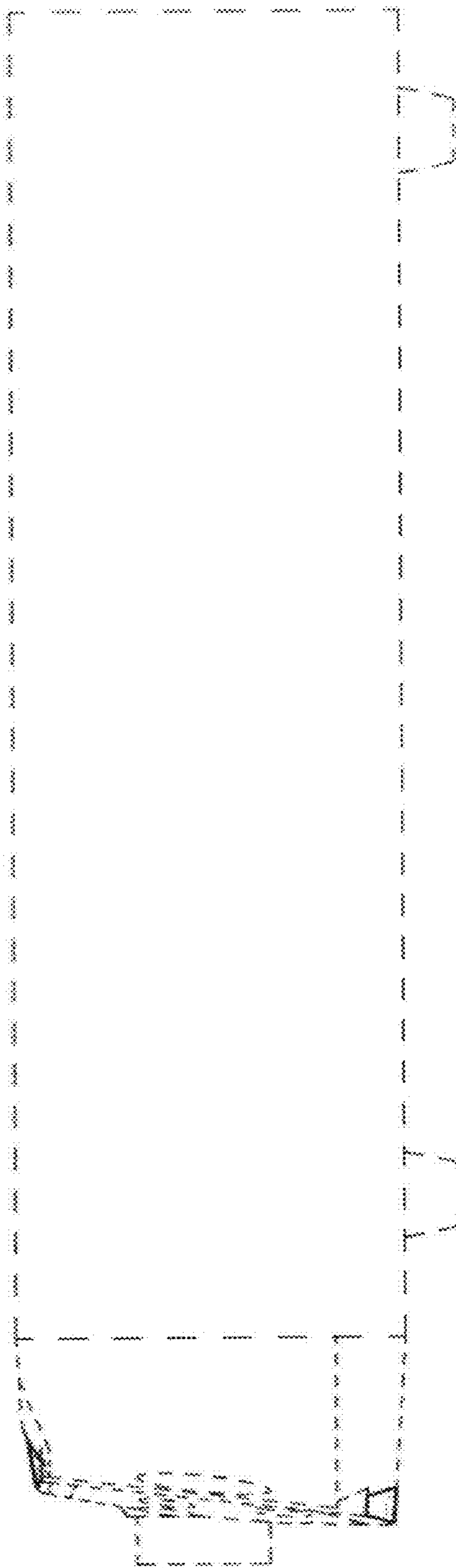


FIG. 6

