



US00D643917S

(12) **United States Design Patent**
Klunker

(10) **Patent No.:** **US D643,917 S**

(45) **Date of Patent:** **** Aug. 23, 2011**

(54) **VAPOR EXTRACTION HOOD**

(75) Inventor: **Sándor Klunker**, München (DE)

(73) Assignee: **BSH Bosch und Siemens Hausgeraete GmbH**, Munich (DE)

(**) Term: **14 Years**

(21) Appl. No.: **29/301,484**

(22) Filed: **Mar. 3, 2008**

(30) **Foreign Application Priority Data**

Sep. 19, 2007 (EM) 000802939

(51) **LOC (9) Cl.** **23-04**

(52) **U.S. Cl.** **D23/371**

(58) **Field of Classification Search** D23/411,
D23/371, 370, 381, 380, 332, 413, 385, 382,
D23/393; 454/349, 354, 355; 126/299 R,
126/299 D; 37/406

See application file for complete search history.

(56) **References Cited**

U.S. PATENT DOCUMENTS

D444,221	S	*	6/2001	Strand et al.	D23/372
D471,268	S	*	3/2003	Segers	D23/372
D487,505	S	*	3/2004	Grobleben	D23/371
D489,805	S	*	5/2004	Vetter	D23/371

* cited by examiner

Primary Examiner — Melody N Brown

(74) *Attorney, Agent, or Firm* — James E. Howard; Andre Pallapies

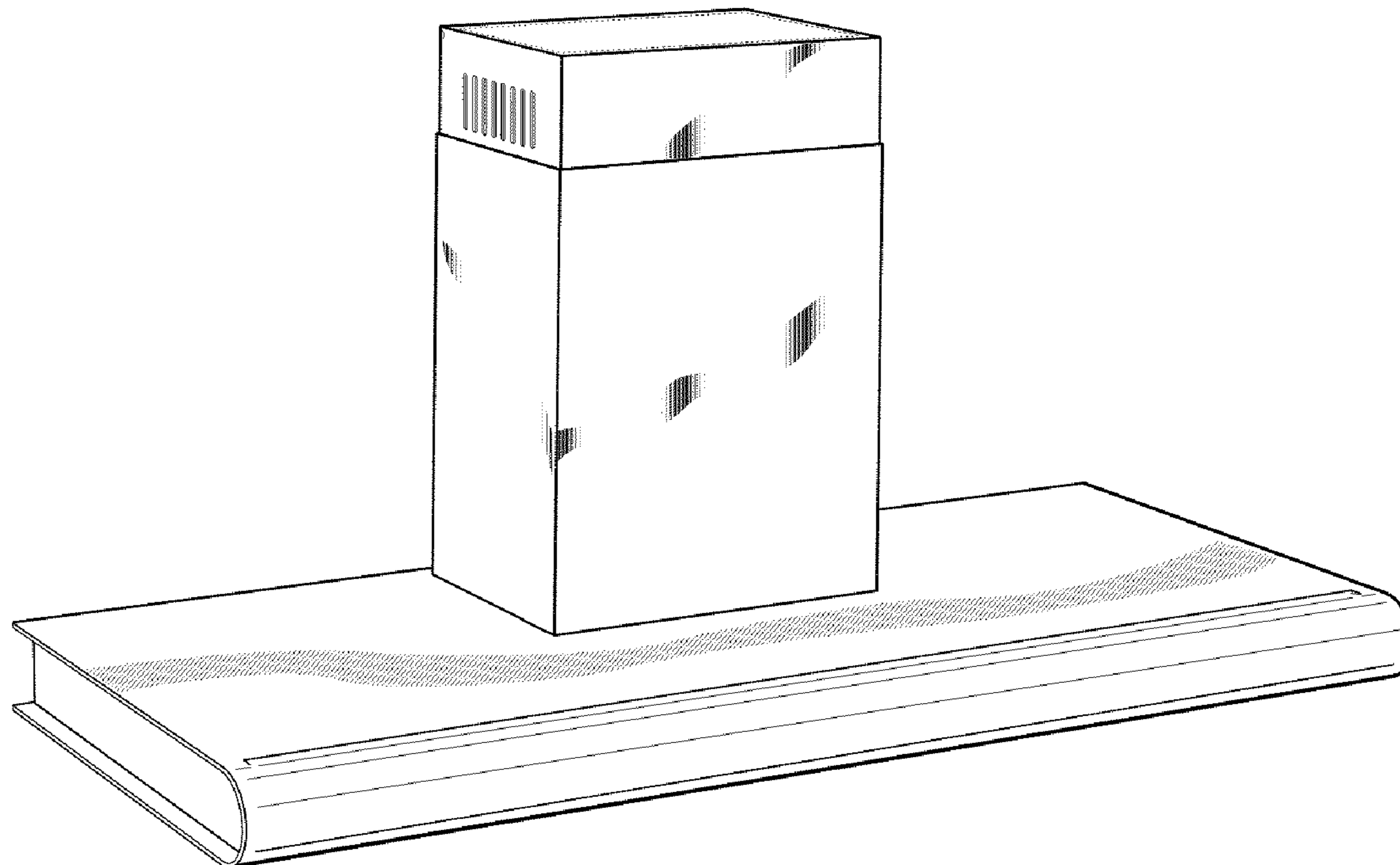
(57) **CLAIM**

The ornamental design for a vapor extraction hood, as shown and described.

DESCRIPTION

FIG. 1 is a perspective view of a vapor extraction hood showing my new design;
FIG. 2 is a left side elevational view thereof;
FIG. 3 is a bottom perspective view thereof;
FIG. 4 is a right side elevational view thereof;
FIG. 5 is a front elevational view thereof;
FIG. 6 is a rear elevational view thereof;
FIG. 7 is a bottom plan view thereof; and,
FIG. 8 is a top plan view thereof.

1 Claim, 4 Drawing Sheets



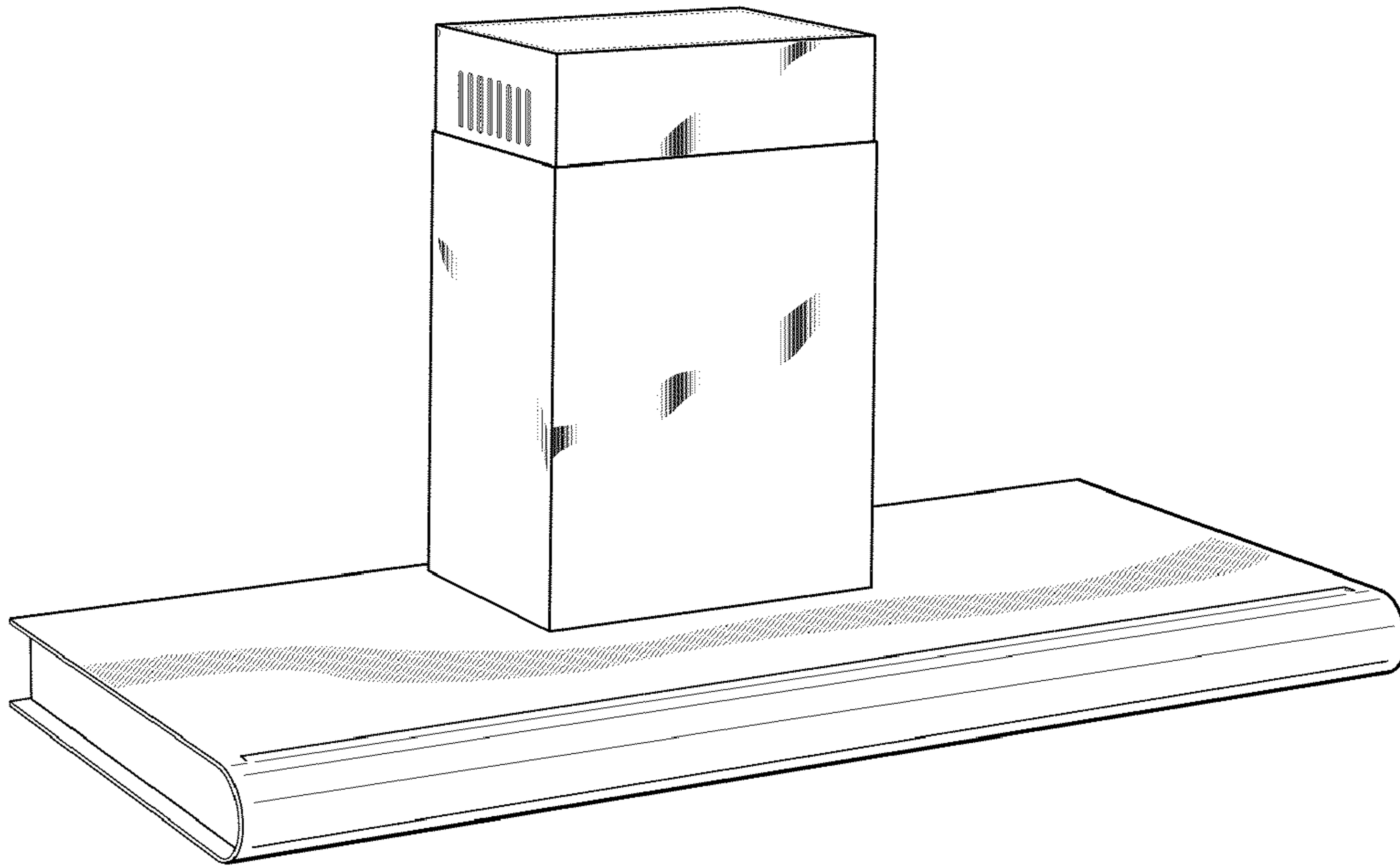


FIG. 1

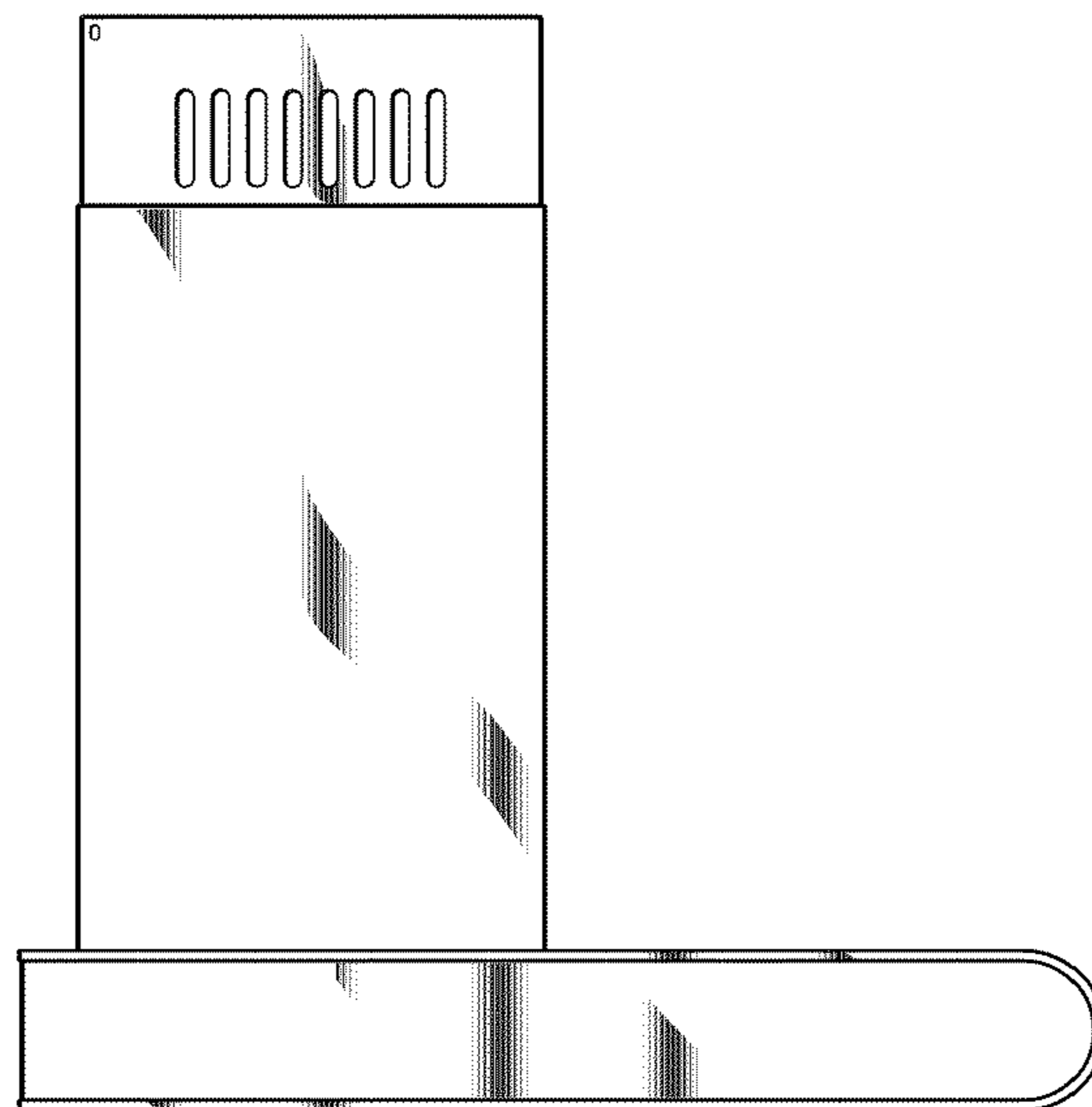


FIG. 2

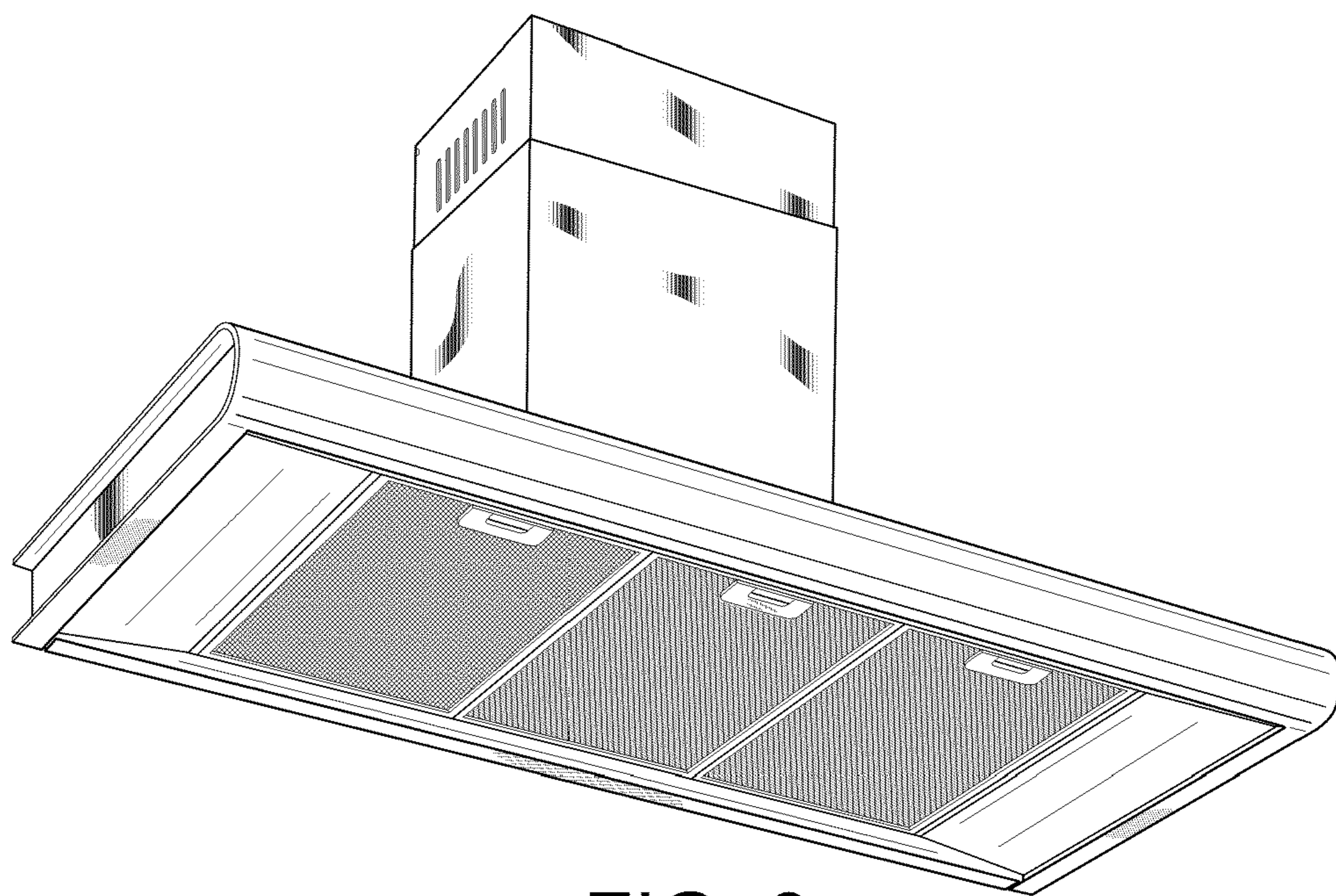


FIG. 3

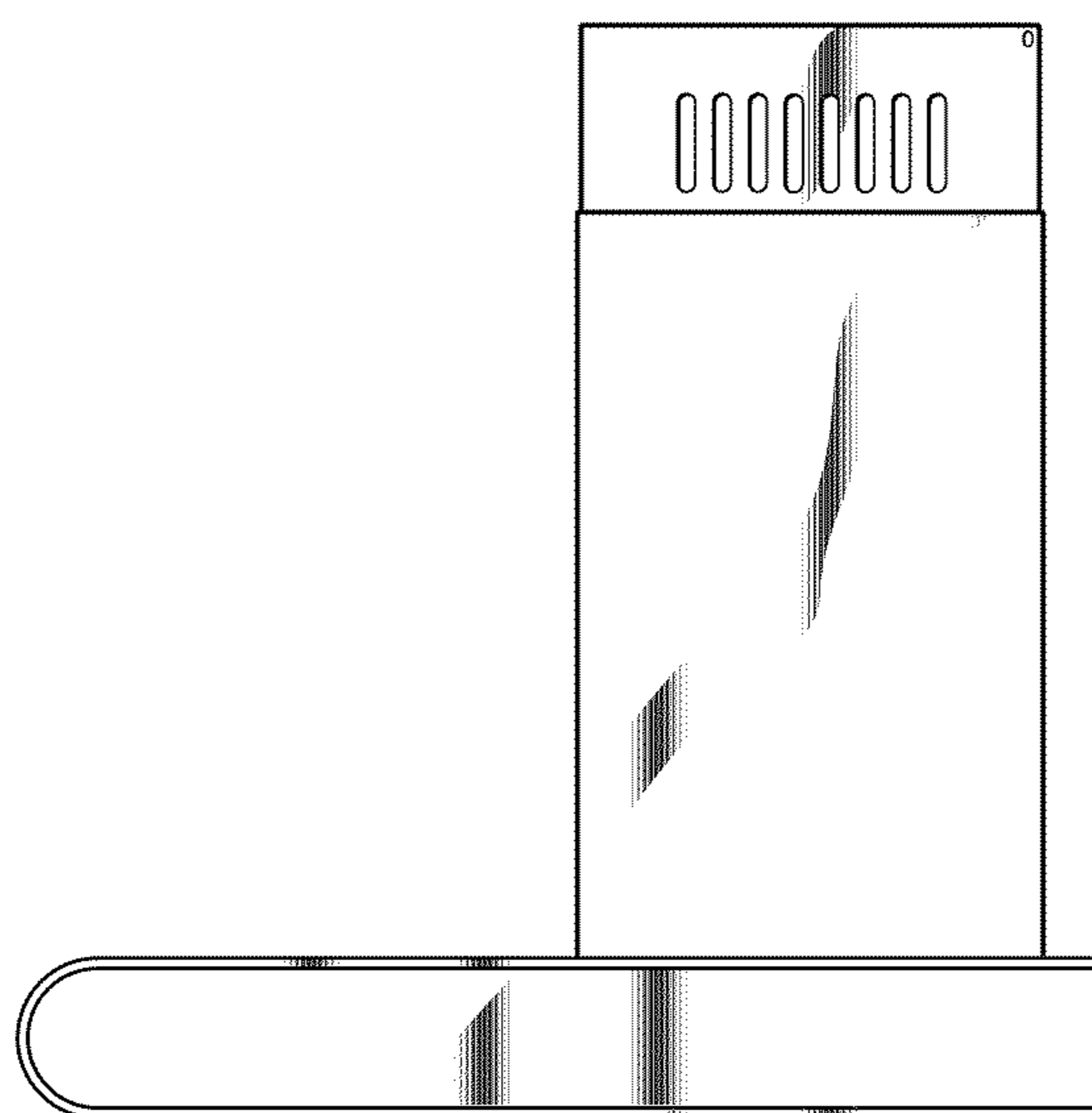


FIG. 4

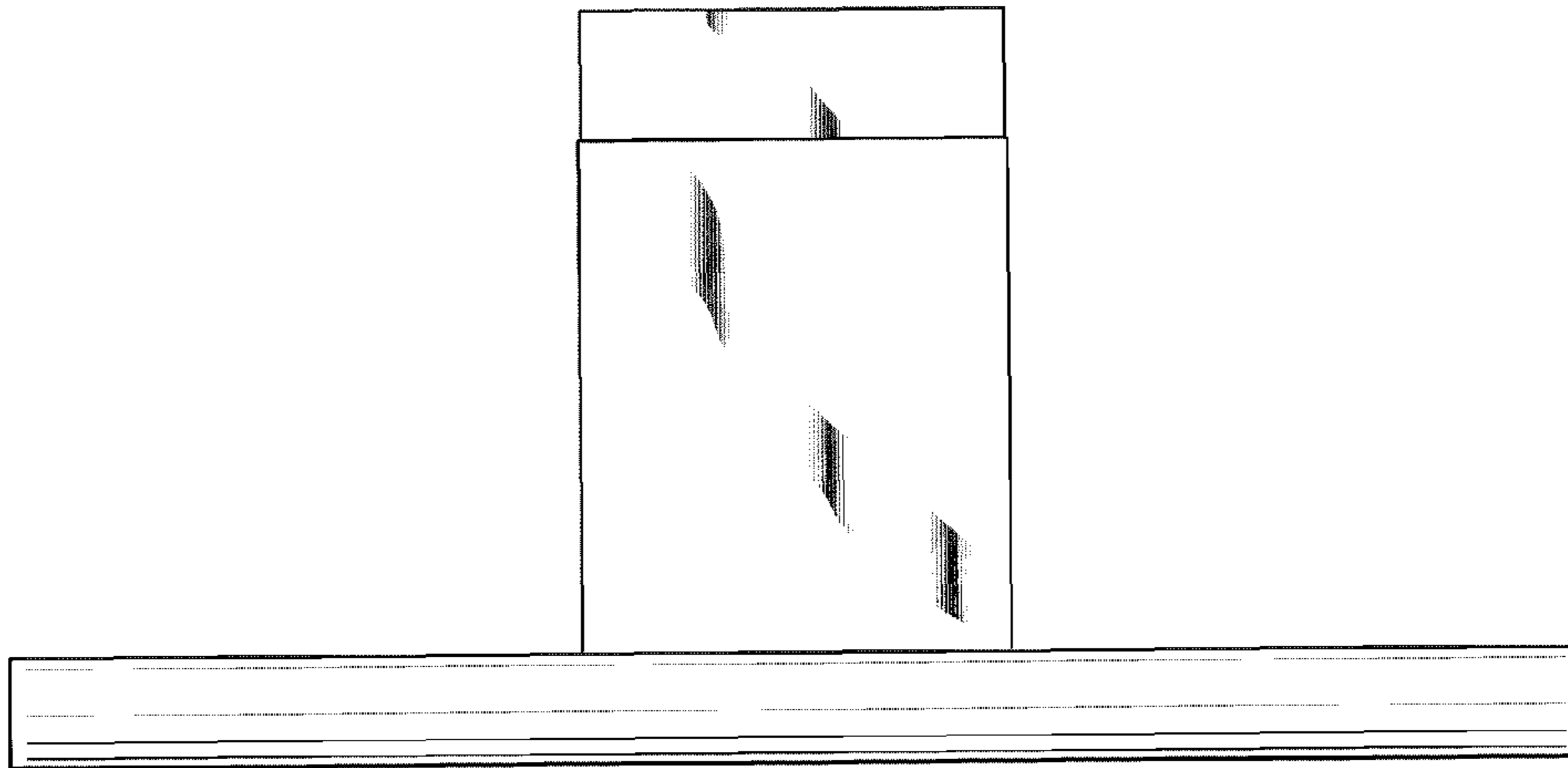


FIG. 5

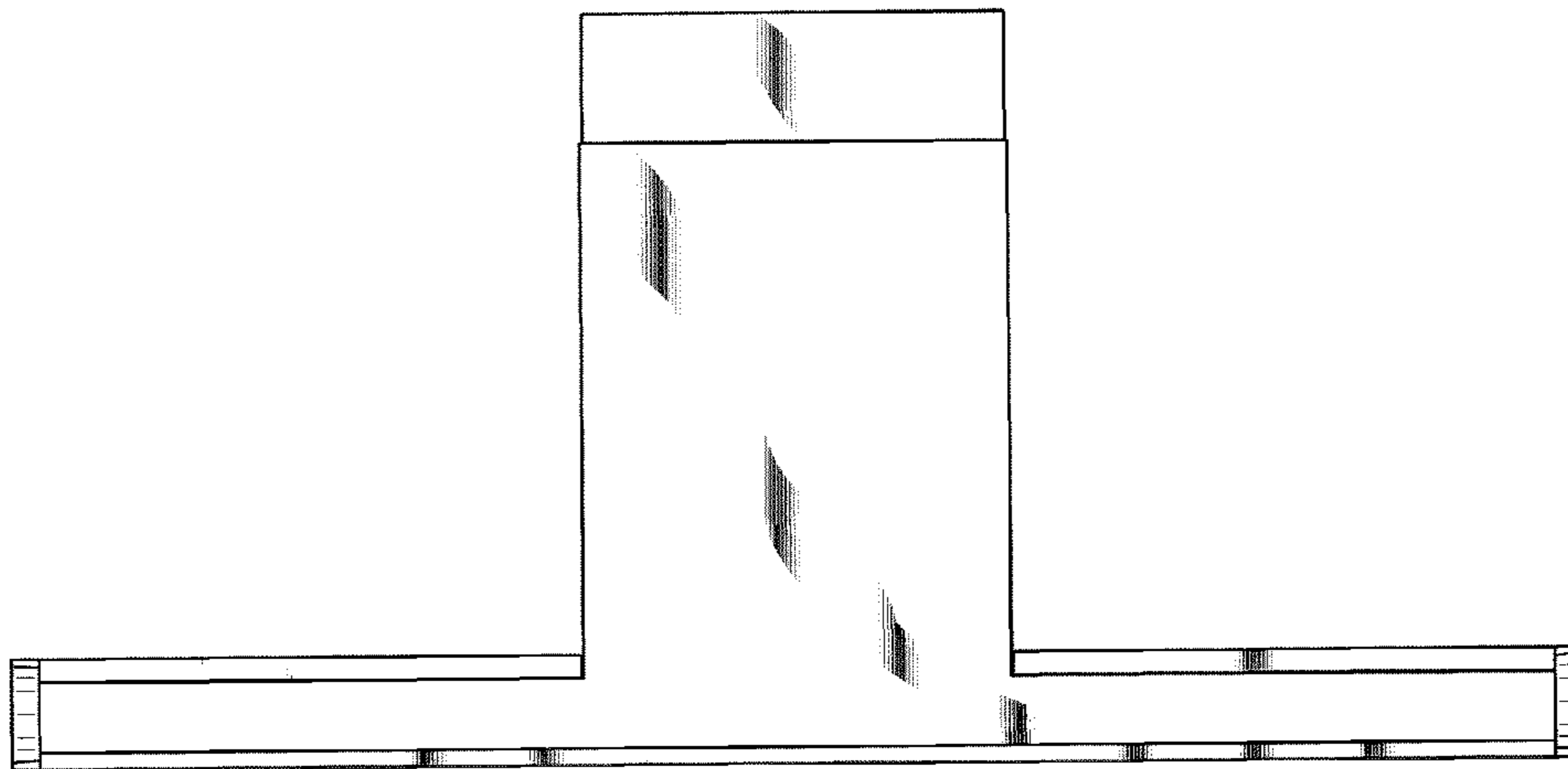


FIG. 6

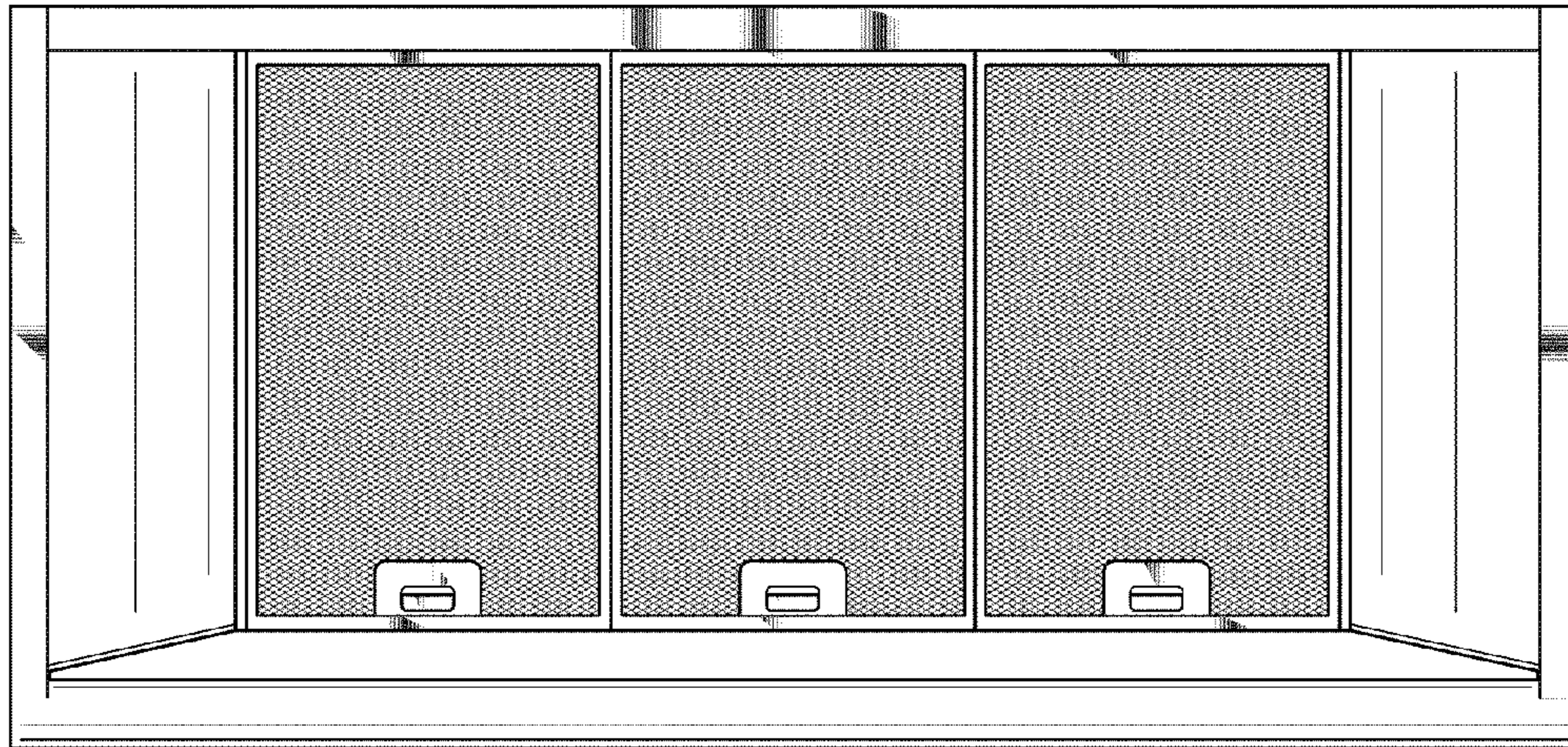


FIG. 7

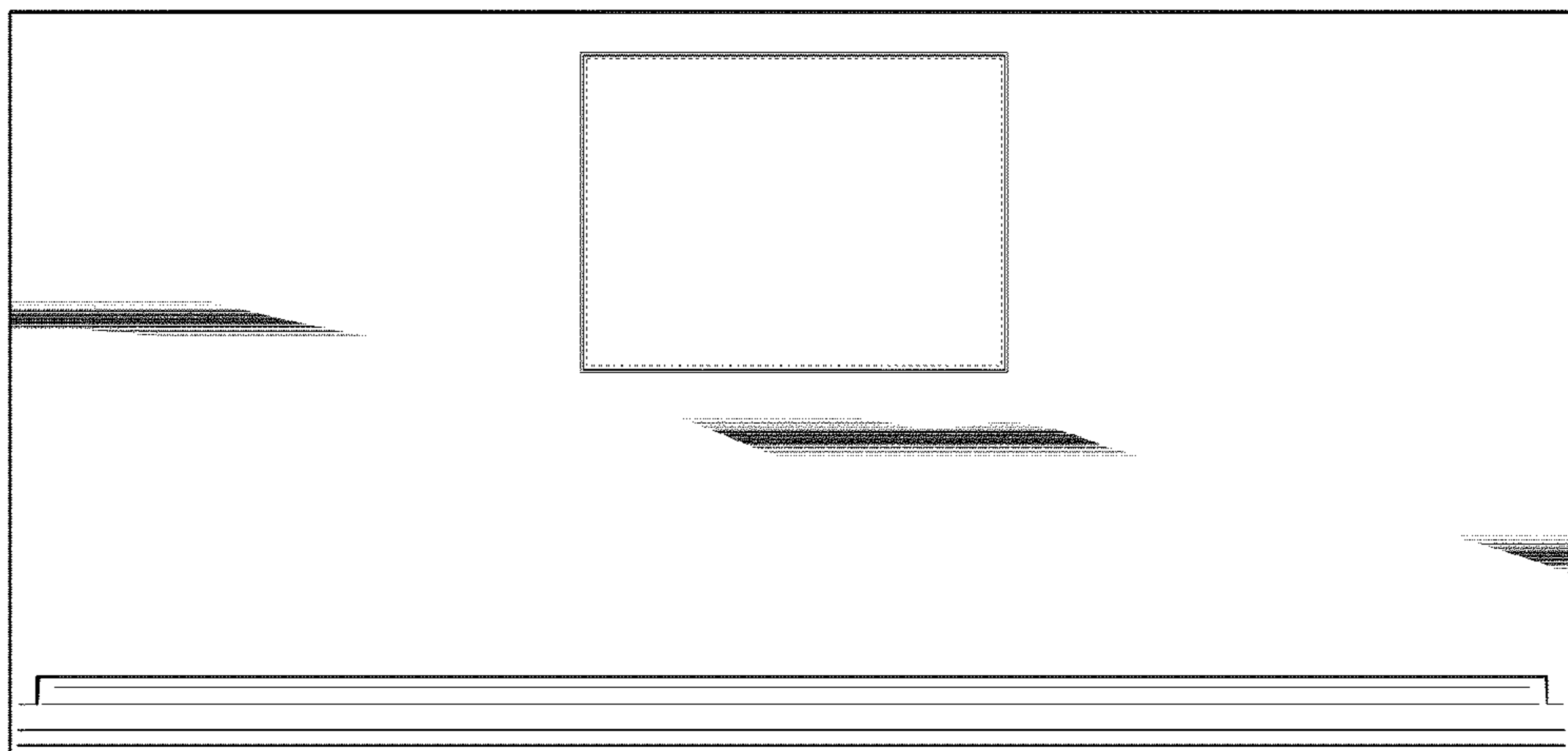


FIG. 8