



US00D643916S

(12) **United States Design Patent**
Bohl et al.

(10) **Patent No.:** **US D643,916 S**

(45) **Date of Patent:** **** Aug. 23, 2011**

(54) **FAN**

(75) Inventors: **Katrin Bohl**, Künzelsau (DE); **Marc Schneider**, Dörzbach (DE); **Jürgen Schöne**, Bad Mergentheim (DE); **Reinhard Strohmeier**, Rot am See (DE); **Christian Haag**, Mulfingen-Ailringen (DE); **Erhard Gruber**, Satteldorf (DE); **Christian Hammel**, Pfedelbach-Oberohrn (DE)

(73) Assignee: **Ebm-Papst Mulfingen GmbH & Co. KG**, Mulfingen (DE)

(**) Term: **14 Years**

(21) Appl. No.: **29/386,986**

(22) Filed: **Mar. 8, 2011**

Related U.S. Application Data

(62) Division of application No. 29/364,130, filed on Jun. 18, 2010.

(30) **Foreign Application Priority Data**

Dec. 22, 2009 (EM) 001650896
Feb. 20, 2010 (DE) 40 2010 001 119

(51) **LOC (9) Cl.** **23-04**

(52) **U.S. Cl.** **D23/370**

(58) **Field of Classification Search** D23/370, D23/383, 411, 414; 415/206, 208.1; 416/185, 416/186 R, 187

See application file for complete search history.

(56) **References Cited**

U.S. PATENT DOCUMENTS

6,540,476 B2 * 4/2003 Huang et al. 415/98
D530,006 S * 10/2006 Li et al. D23/414
D539,408 S * 3/2007 Wu et al. D23/370

* cited by examiner

Primary Examiner — Lisa Lichtenstein

(74) *Attorney, Agent, or Firm* — Brinks Hofer Gilson & Lione

(57) **CLAIM**

The ornamental design for a fan, as shown and described.

DESCRIPTION

FIG. 1 is a rear view of an embodiment;
FIG. 2 is a front view of the embodiment of the fan seen in FIG. 1;
FIG. 3 is a side view of the embodiment seen in FIG. 1;
FIG. 4 is a rear perspective view of the embodiment seen in FIG. 1; and,
FIG. 5 is a front perspective view of the embodiment seen in FIG. 1.

1 Claim, 5 Drawing Sheets

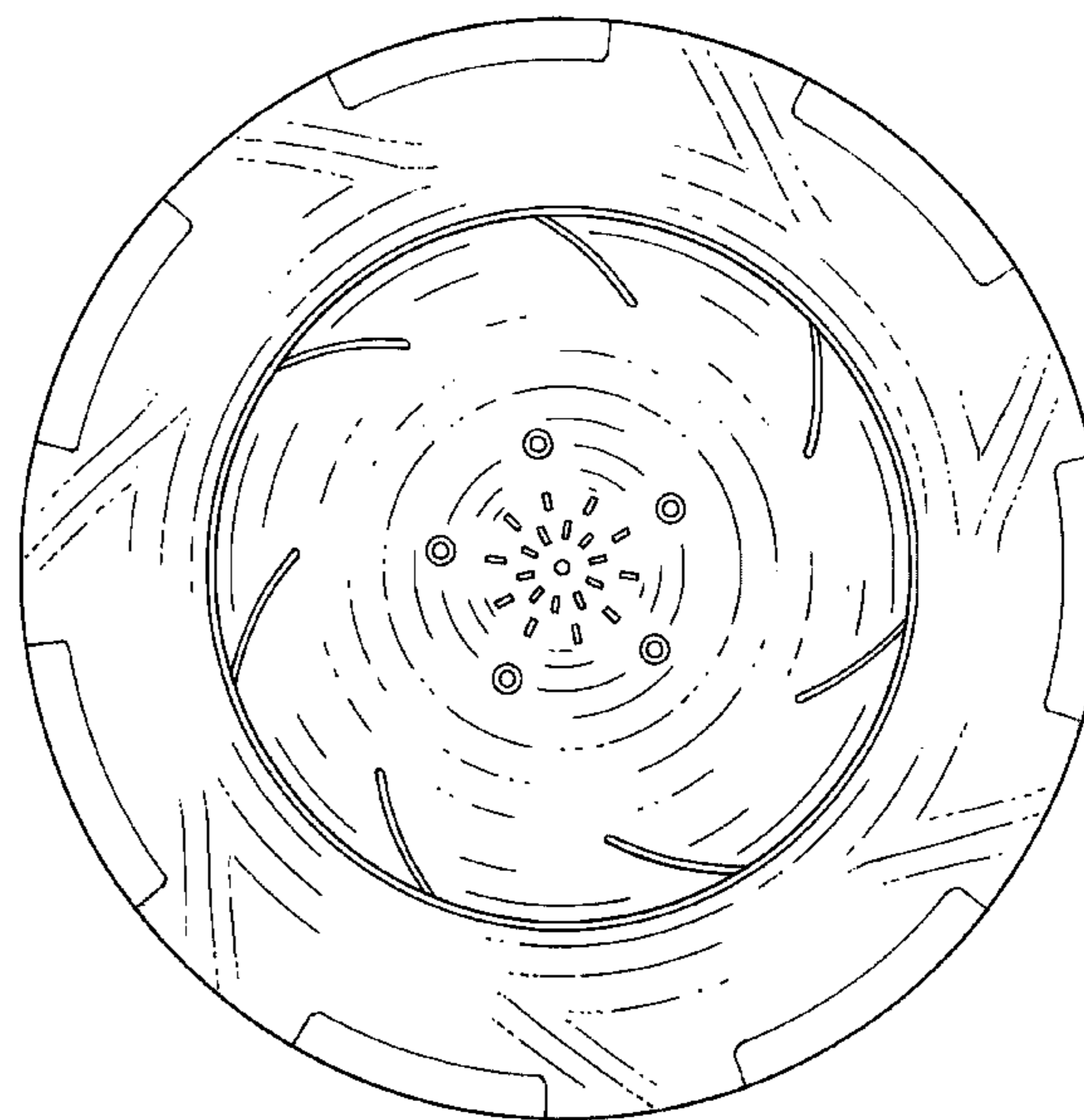
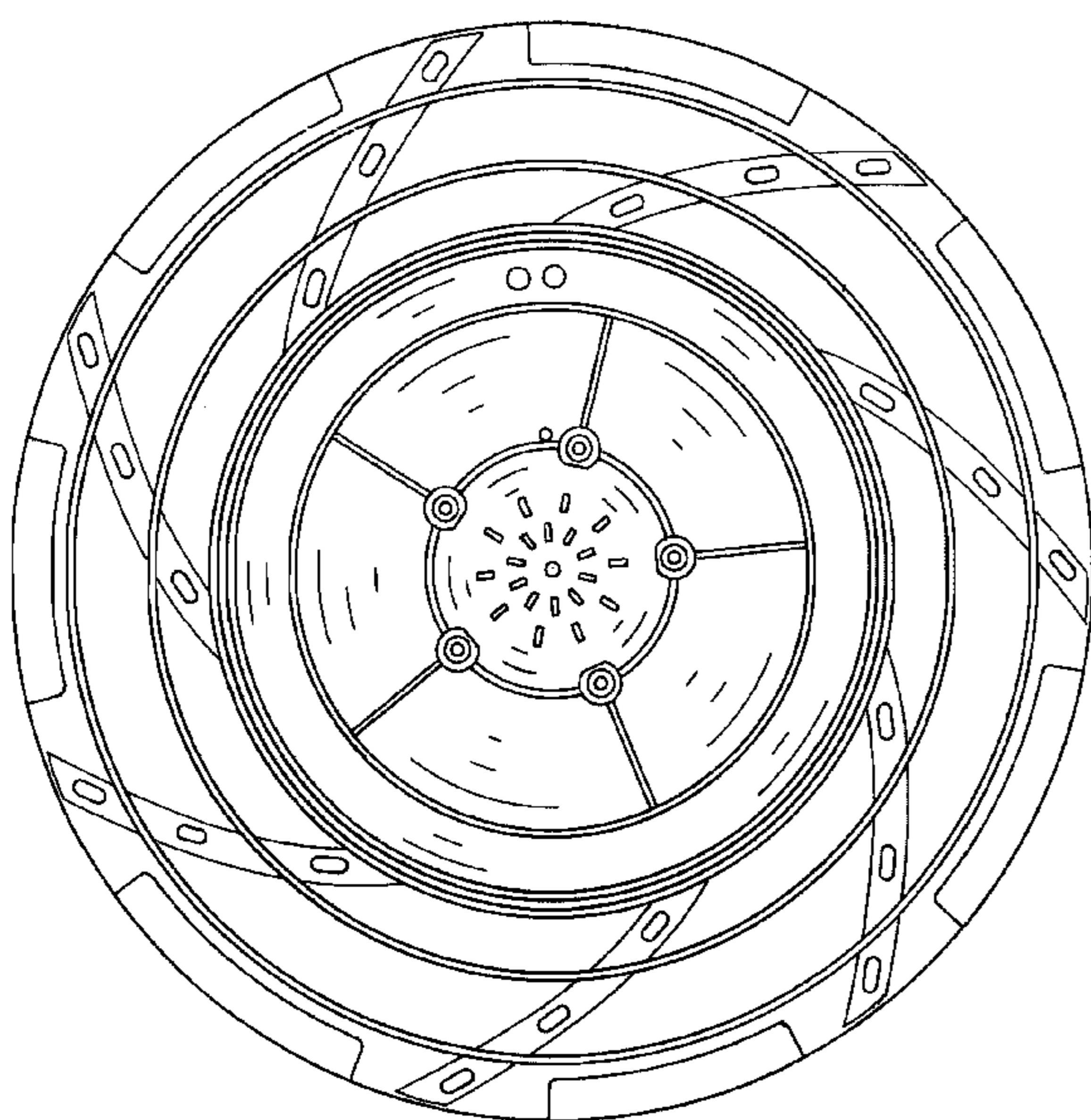


FIG. 1

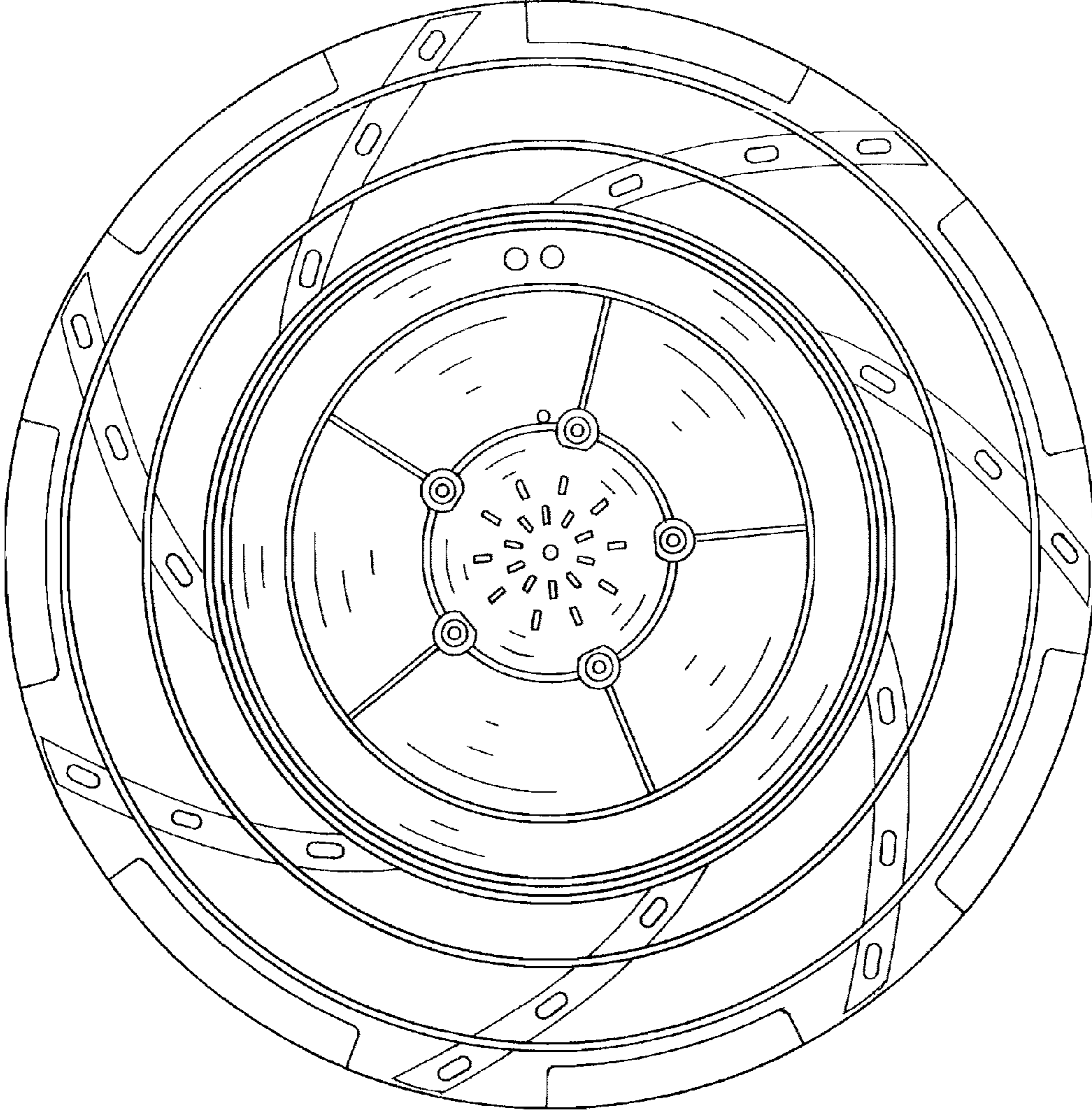


FIG. 2

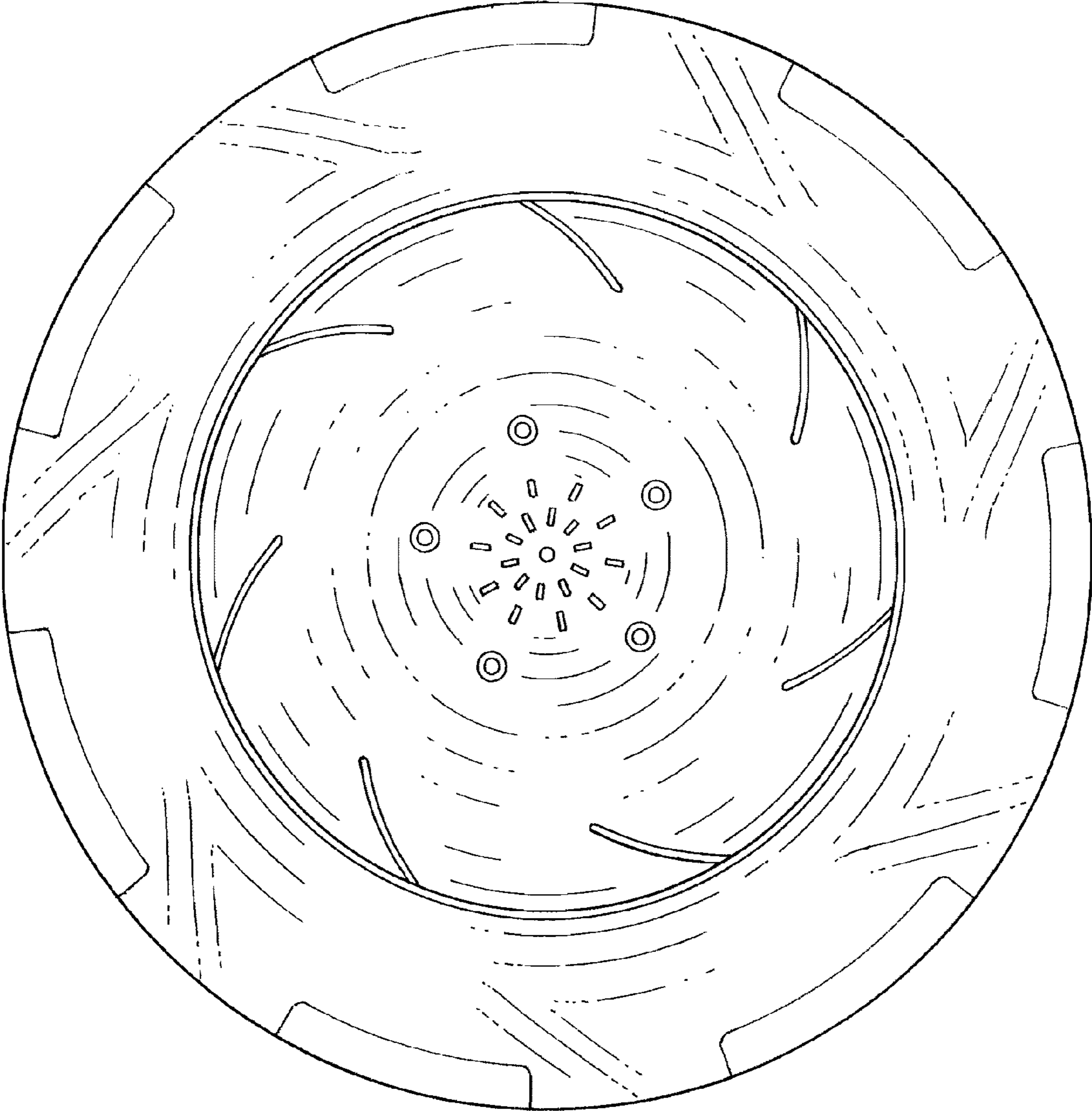


FIG. 3

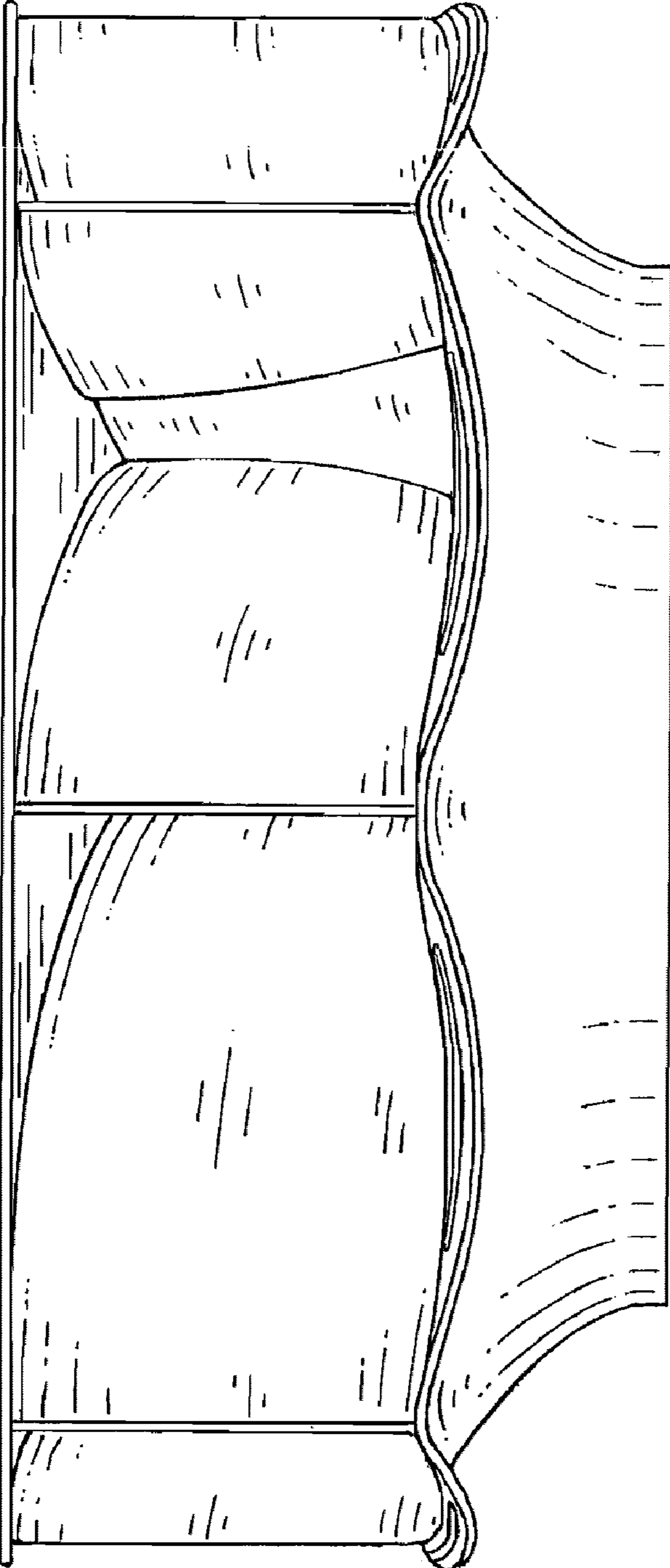


FIG. 4

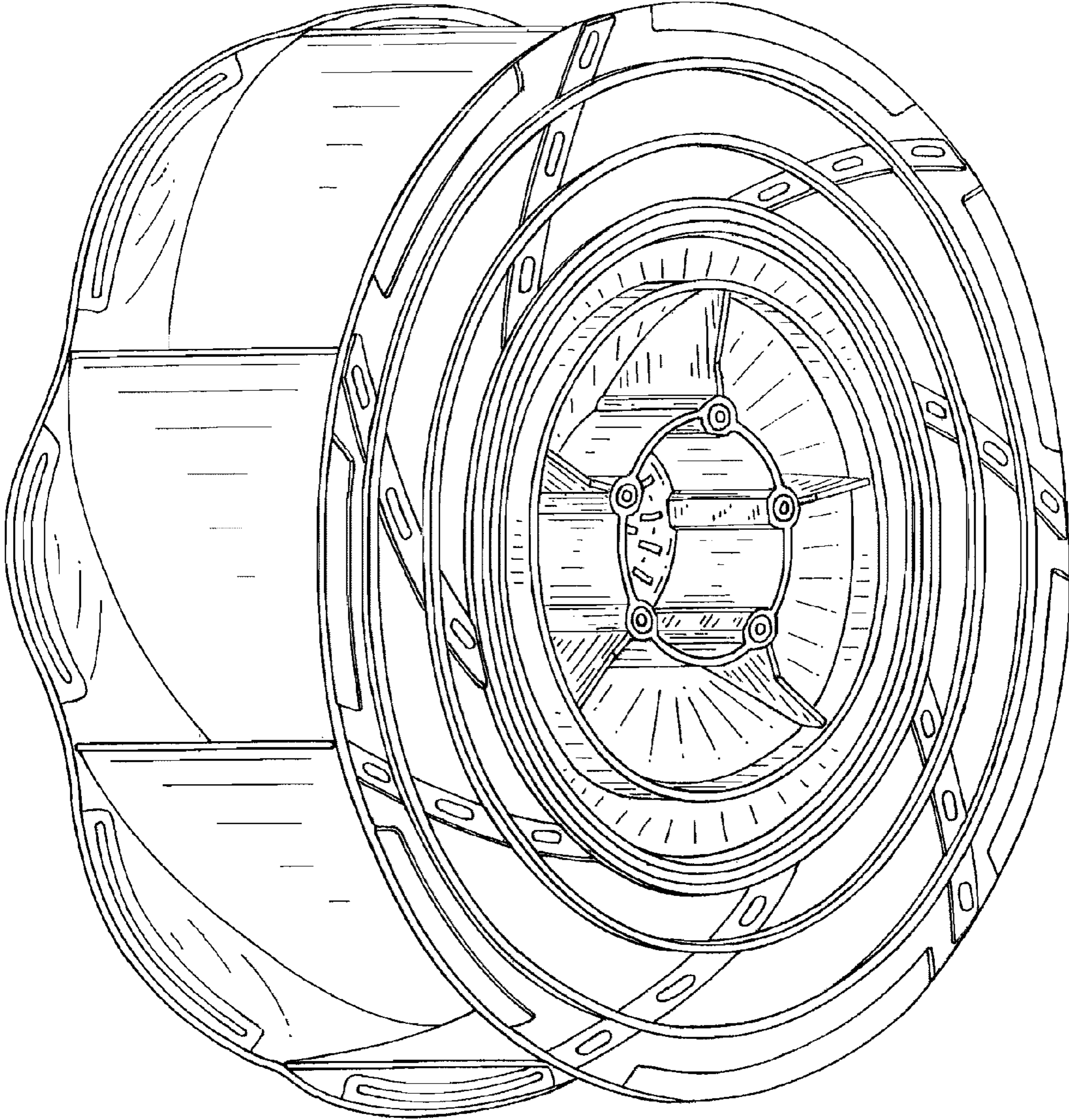


FIG. 5

