



US00D643911S

(12) **United States Design Patent**
Erickson et al.

(10) **Patent No.:** **US D643,911 S**

(45) **Date of Patent:** **** Aug. 23, 2011**

(54) **FAUCET**

(75) Inventors: **Perry Erickson**, Sheboygan, WI (US);
Andrew James Stokes, Sheboygan, WI
(US); **Alan E. Lange**, Kiel, WI (US)

(73) Assignee: **Kohler Co.**, Kohler, WI (US)

(**) Term: **14 Years**

(21) Appl. No.: **29/375,570**

(22) Filed: **Sep. 24, 2010**

(30) **Foreign Application Priority Data**

Mar. 24, 2010 (EM) 001204028

(51) **LOC (9) Cl.** **23-01**

(52) **U.S. Cl.** **D23/255**

(58) **Field of Classification Search** D23/238,
D23/241-243, 250, 252, 255, 257; 4/676-678;
137/801

See application file for complete search history.

(56) **References Cited**

U.S. PATENT DOCUMENTS

D535,356 S	1/2007	Kuran et al.	
D551,324 S	9/2007	Wilcox et al.	
D562,947 S	2/2008	Zhang	
D576,705 S	9/2008	McKeone	
D585,111 S	1/2009	Eilmus	
D620,557 S *	7/2010	Eilmus	D23/238
D627,857 S *	11/2010	Eilmus	D23/238

FOREIGN PATENT DOCUMENTS

EC 000296918-0006 A1 11/2005

OTHER PUBLICATIONS

Danze, "Pot Filler Kitchen Faucet", Faucet.com online catalog. Copyright 1994-2007 Faucet.com http://www.faucet.com/decor/search.pl?term=Danze+pot+filler+kitchen+faucet&search_button.x=0&search_button.y=0.

Kohler Co. "Margaux single-control lavatory faucet", Model No. K-2443-4, Kohler Co. online catalog. Copyright 2007 Kohler Co.,

<http://www.us.kohler.com/onlinecatalog/detail.jsp?item=11854702§ion=2&category=8&subcategory=49>.
Kohler Co., "Fountainhead integral laminar faucet", Model No. K-2443-4, Kohler Co. online catalog. Copyright 2007 Kohler Co. <http://www.us.kohler.com/onlinecatalog/detail.jsp?item=12248202§ion=2&category=8&subcategory=49>.
Danze, "Deck Mount Pot Filler-Parma Collection", PlumbingSupply.com online catalog. Copyright 1995-2008 PlumbingSupply.com; <http://www.plumbingsupply.com/potfillerfaucets.html>.
Elements of Design "NuVo Pot Filler Faucets", PlumbingSupply.com online catalog. Copyright 1995-2008, PlumbingSupply.com; <http://www.plumbingsupply.com/potfillerfaucets.html>.
Danze; "Quality Wall Mount Pot Filler Faucets-Melrose Collection", PlumbingSupply.com online catalog. Copyright 1995-2008 PlumbingSupply.com; <http://www.plumbingsupply.com/potfillerfaucets.html>.

* cited by examiner

Primary Examiner — Robert Delehanty

(74) *Attorney, Agent, or Firm* — Foley & Lardner LLP

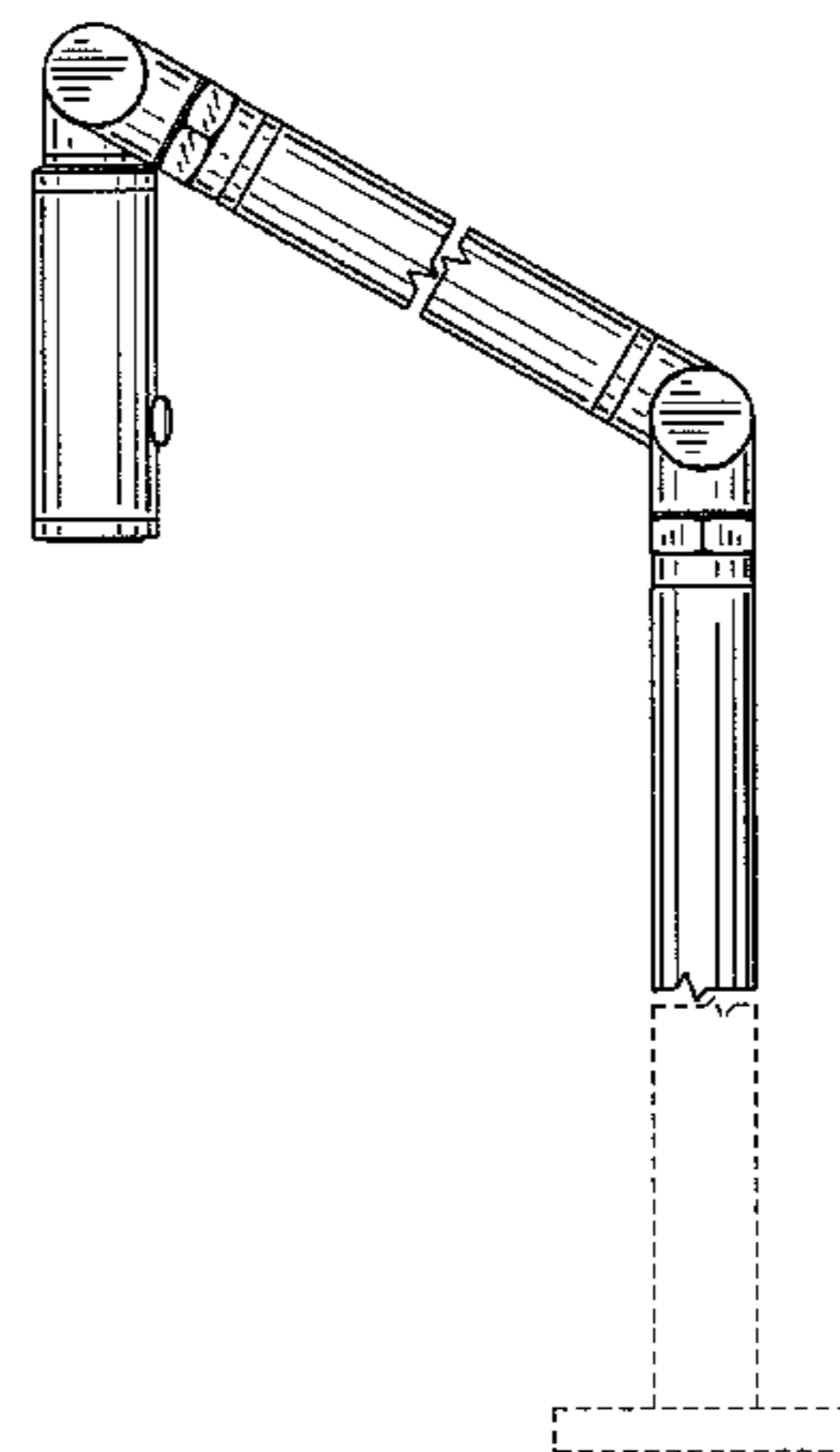
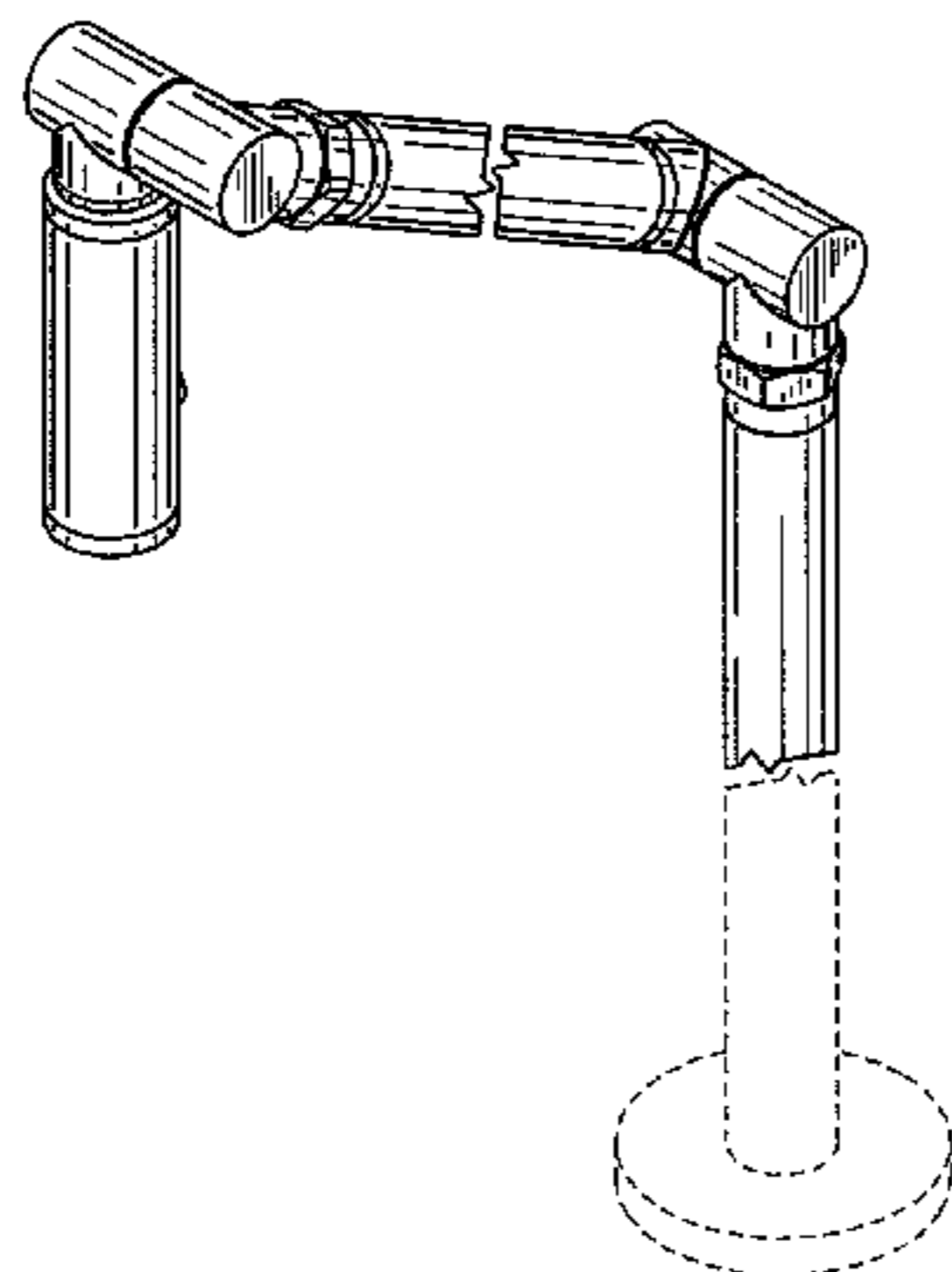
(57) **CLAIM**

The ornamental design for a faucet, as shown and described.

DESCRIPTION

FIG. 1.1 is a perspective view of the faucet which is the subject of our new design;
FIG. 1.2 is a left side elevational view thereof;
FIG. 1.3 is a right side elevational view thereof;
FIG. 1.4 is a front elevational view thereof;
FIG. 1.5 is a rear elevational view thereof;
FIG. 1.6 is a top plan view thereof;
FIG. 1.7 is a bottom plan view thereof;
FIG. 1.8 is a perspective view of the faucet in a retracted position;
FIG. 2.1 is a perspective view of a faucet joint;
FIG. 2.2 is a right side elevational view thereof;
FIG. 2.3 is a left side elevational view thereof;
FIG. 2.4 is a front elevational view thereof;
FIG. 2.5 is a rear elevational view thereof;
FIG. 2.6 is a top plan view thereof; and,
FIG. 2.7 is a bottom plan view thereof.
The dotted line portions are by way of example only and form no part of the claimed design.

1 Claim, 7 Drawing Sheets



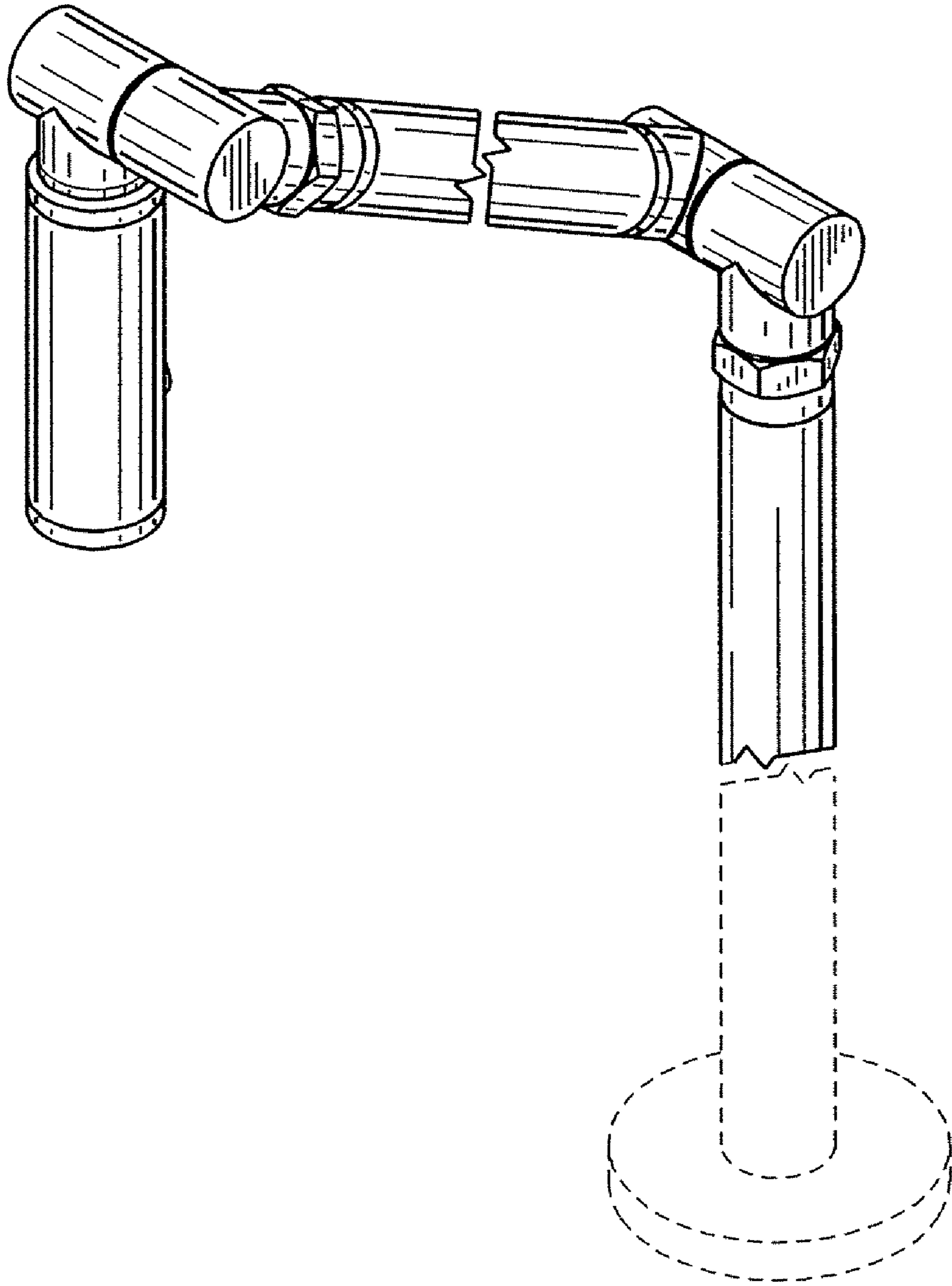


FIG. 1.1

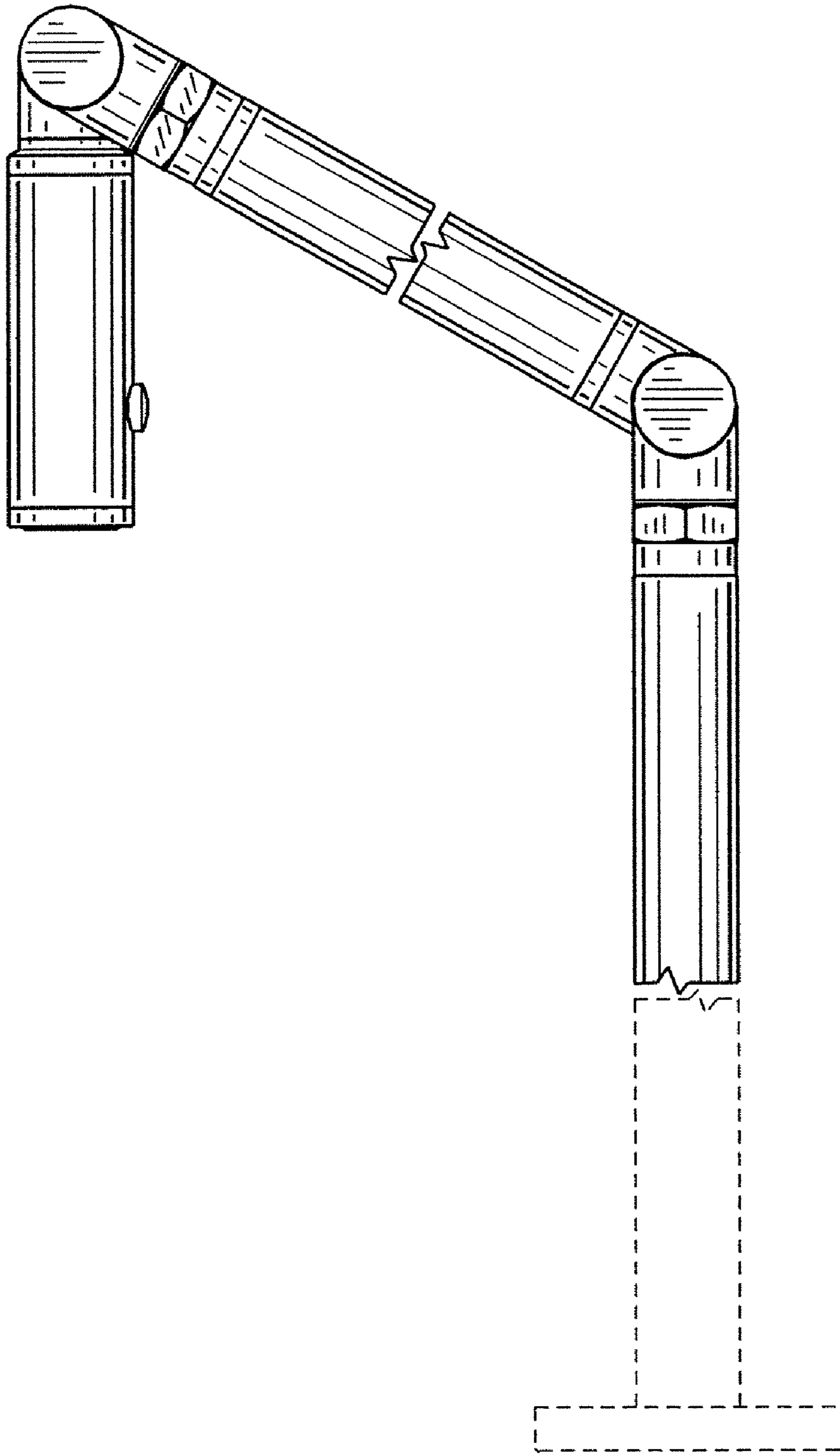


FIG. 1.2

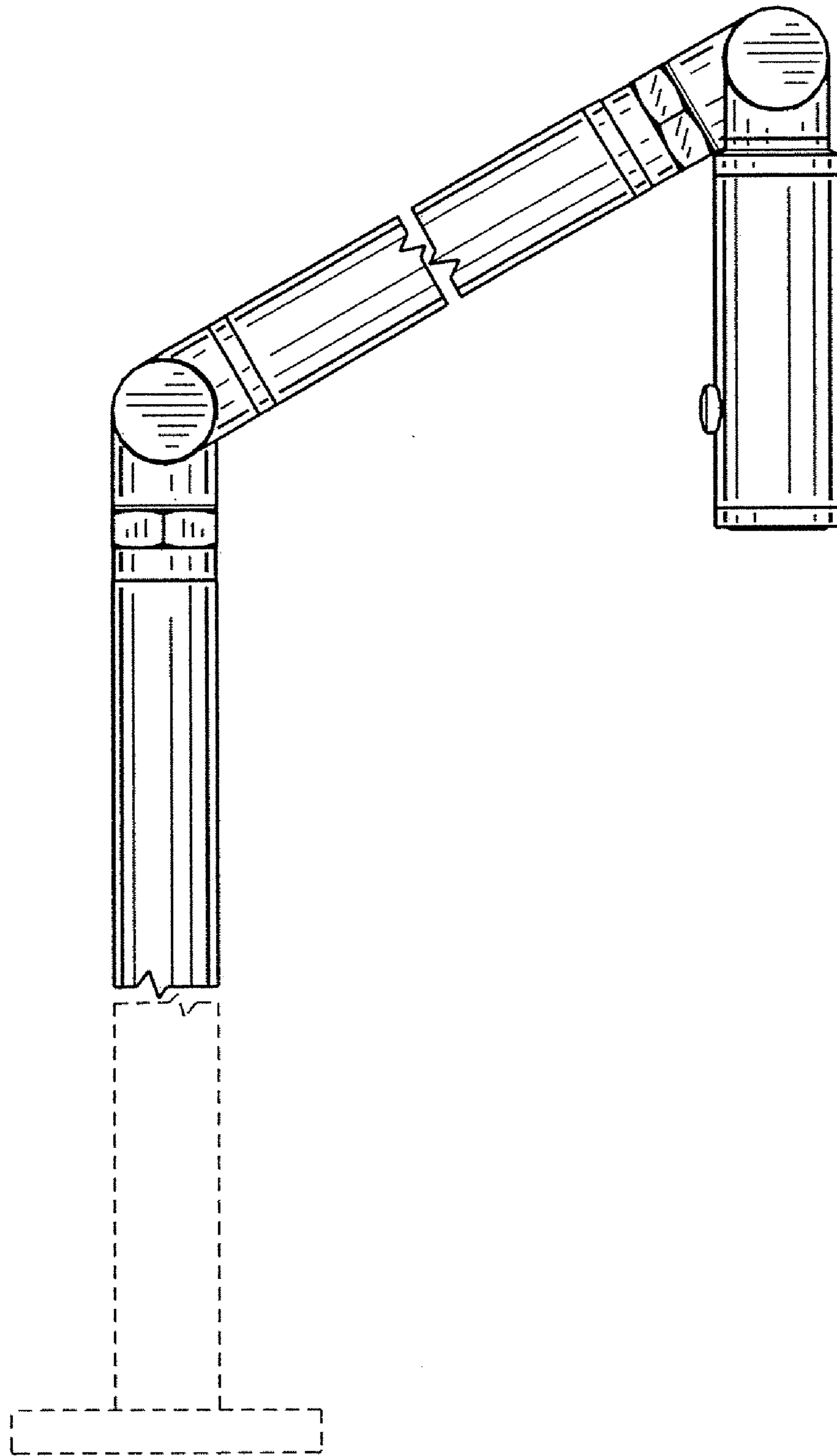


FIG. 1.3

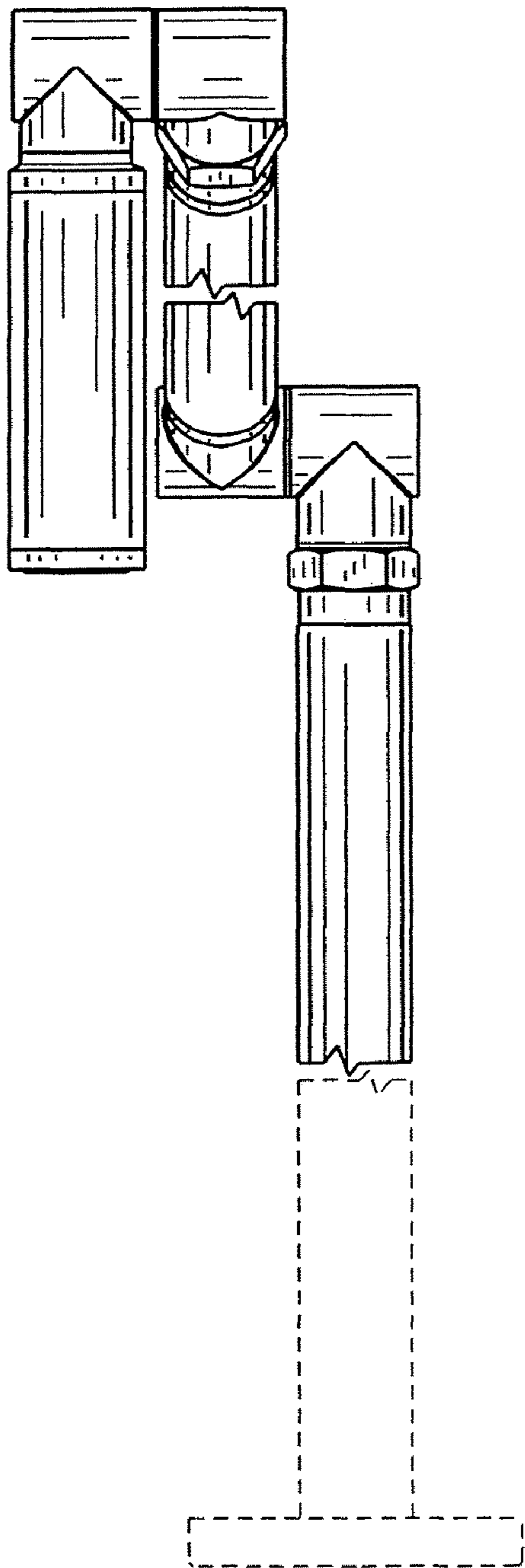


FIG. 1.4

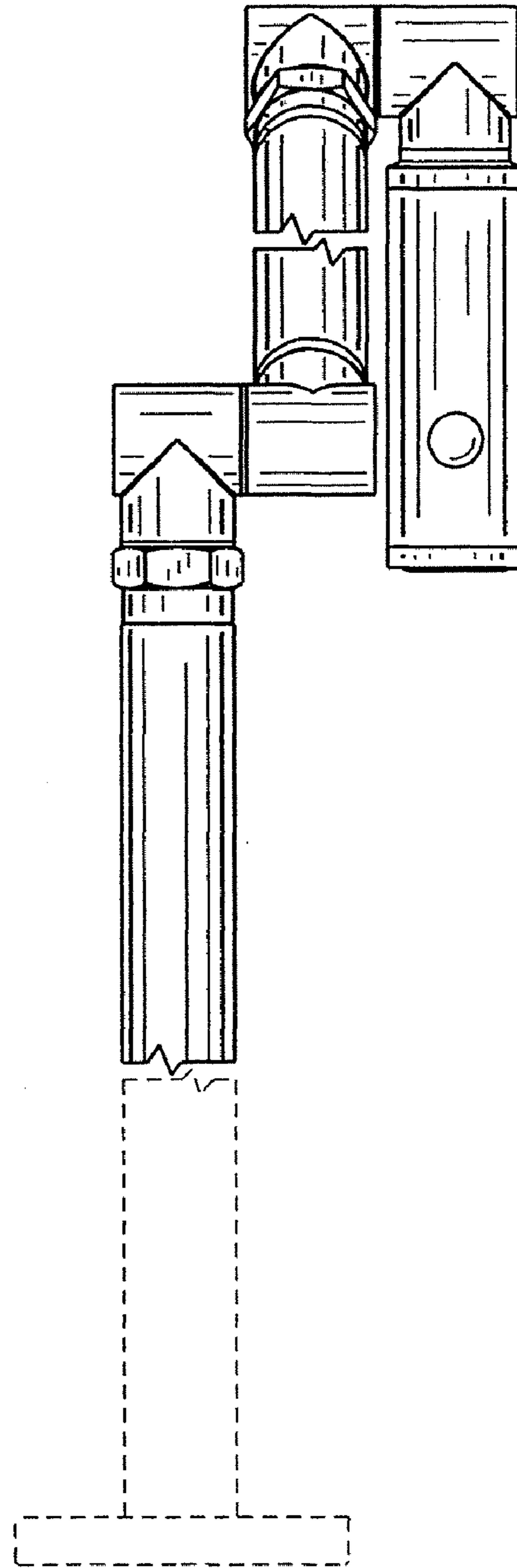


FIG. 1.5

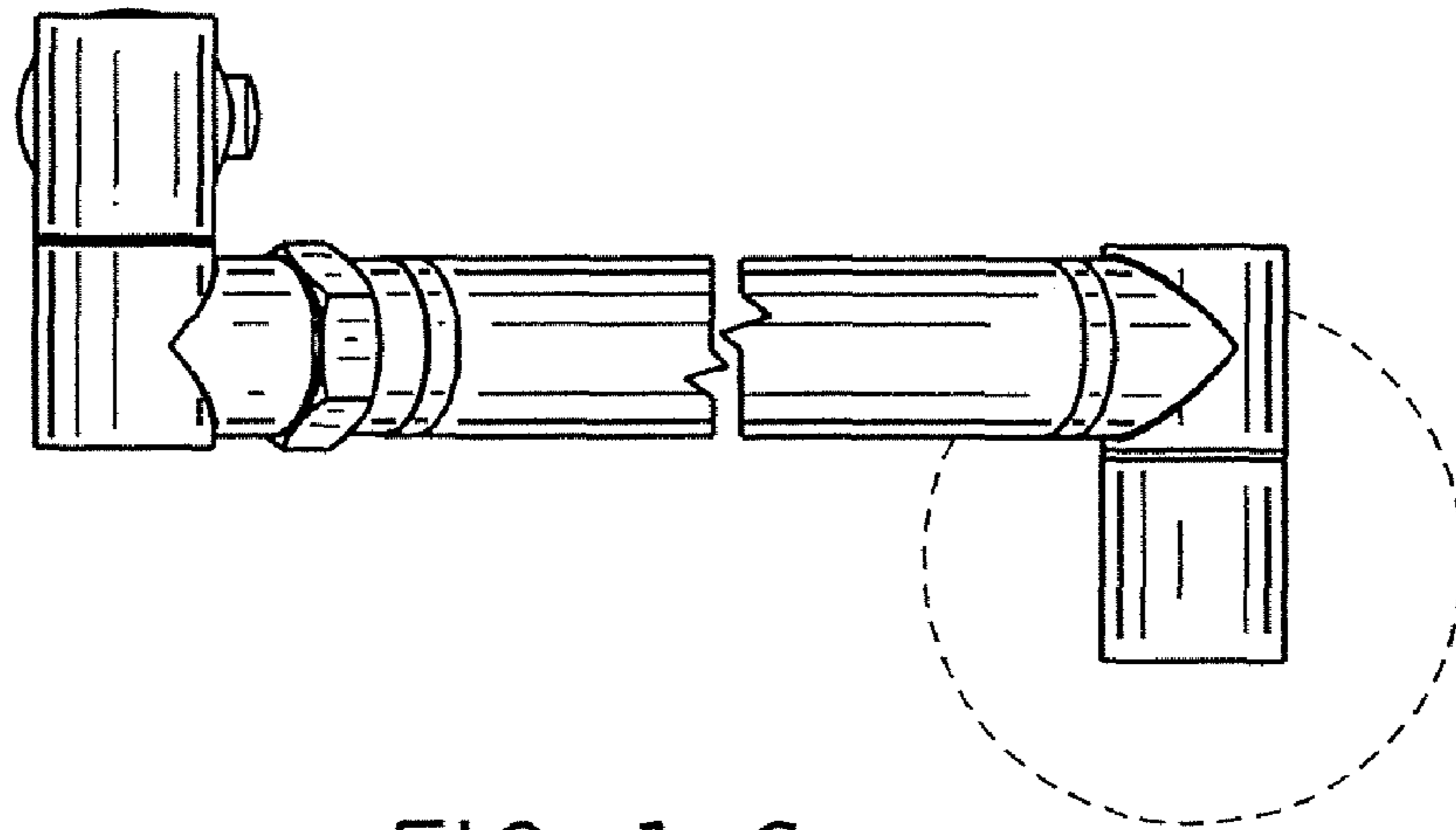


FIG. 1.6

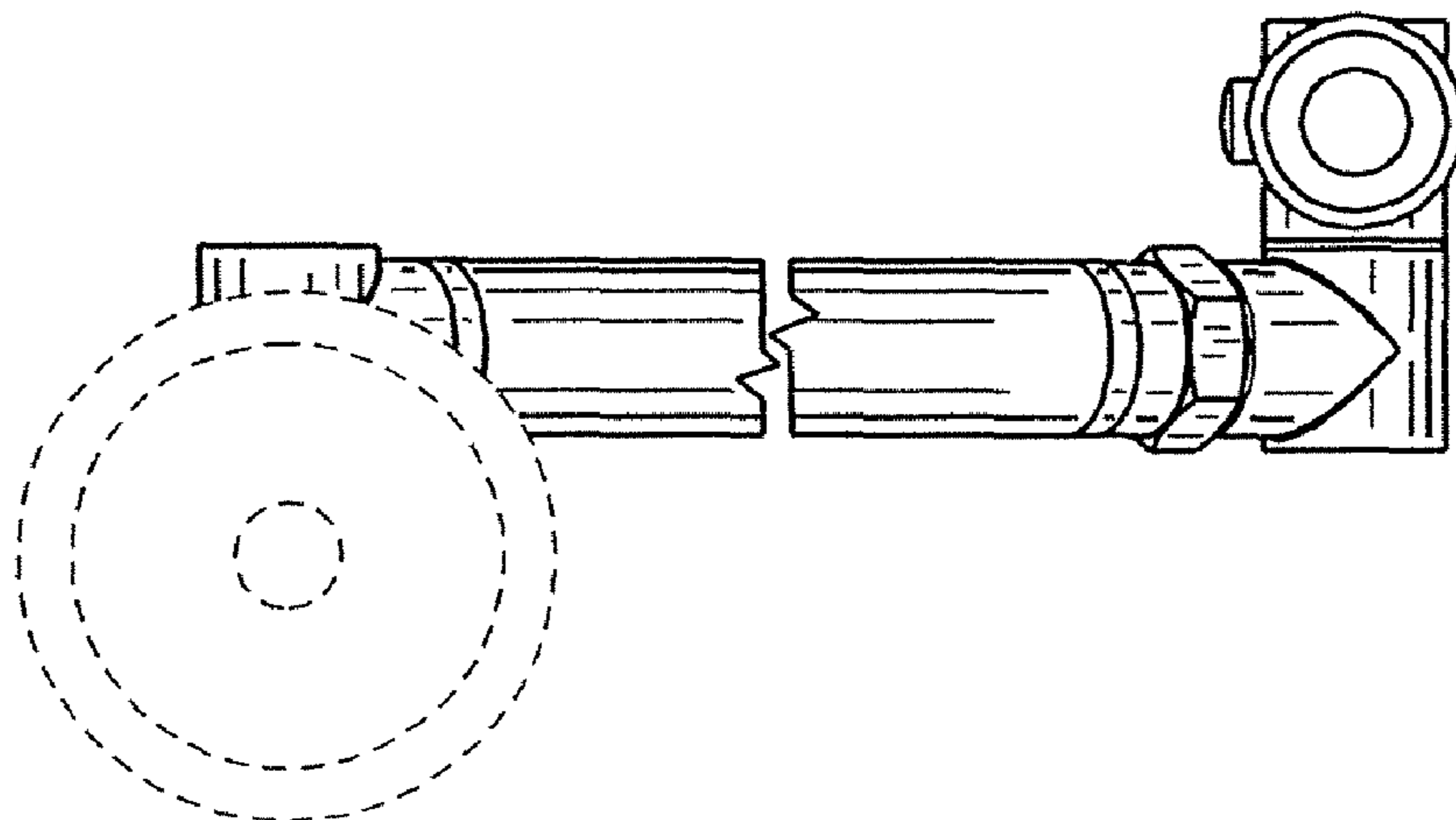


FIG. 1.7

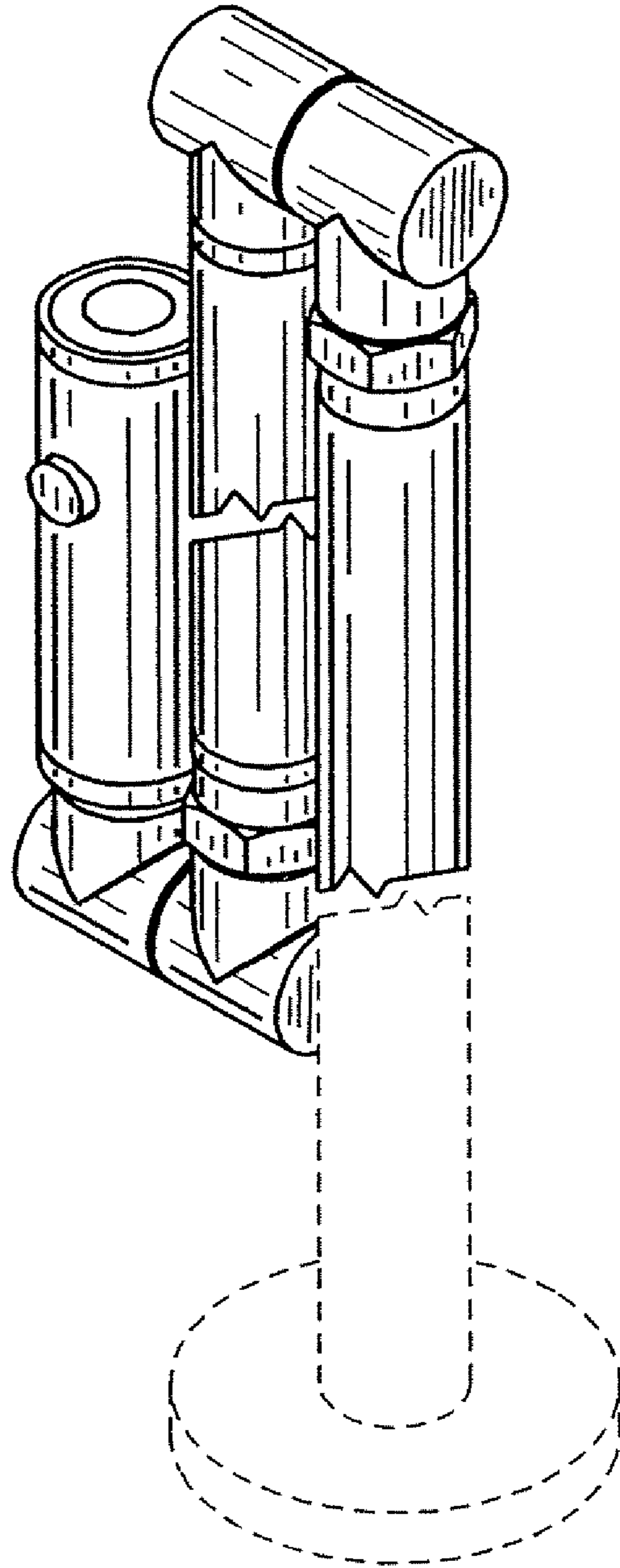


FIG. 1.8

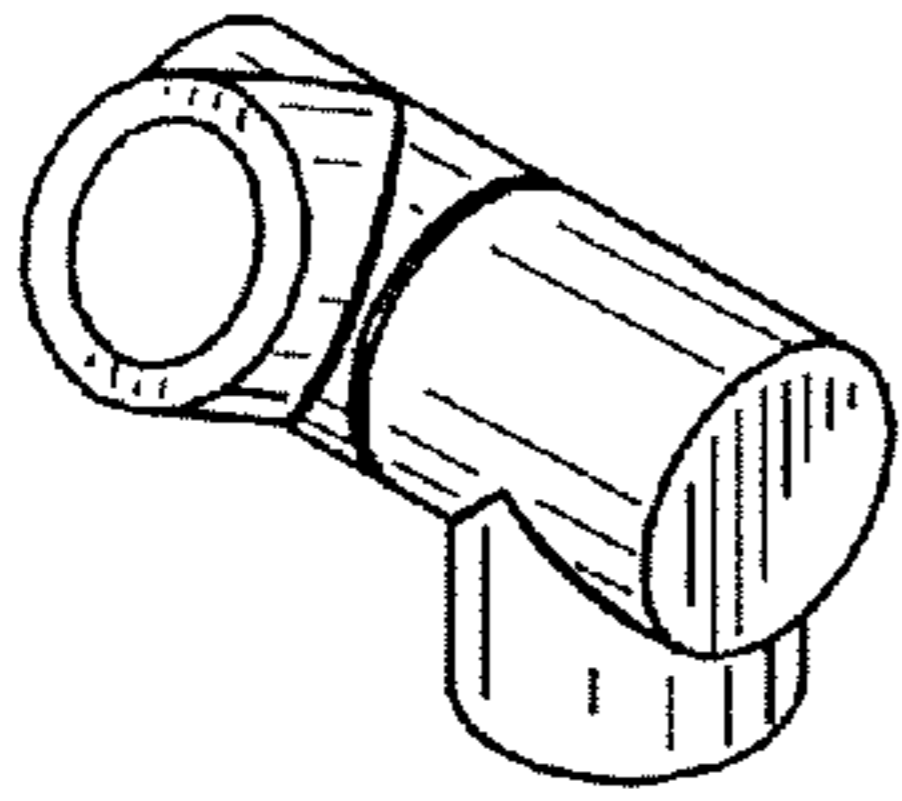


FIG. 2.1

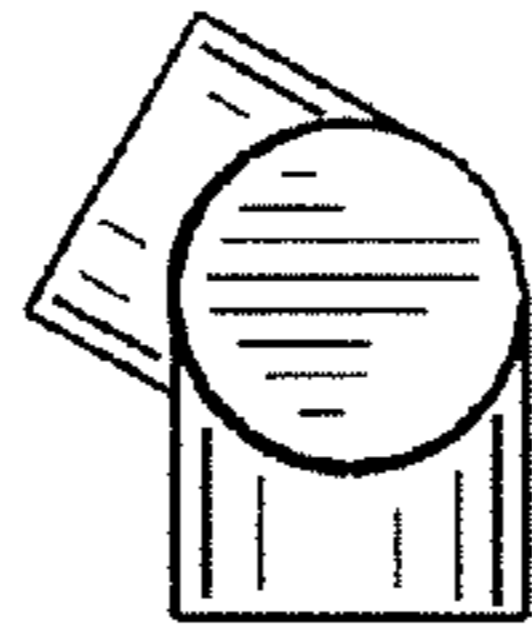


FIG. 2.2

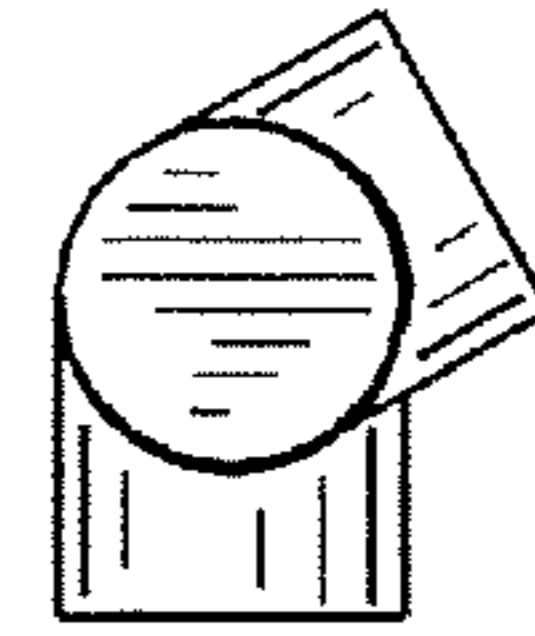


FIG. 2.3

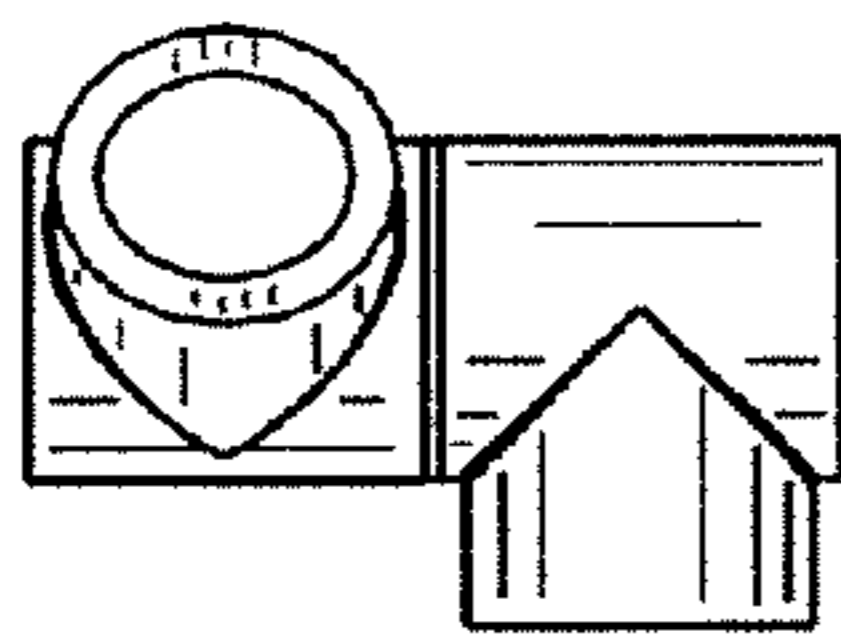


FIG. 2.4

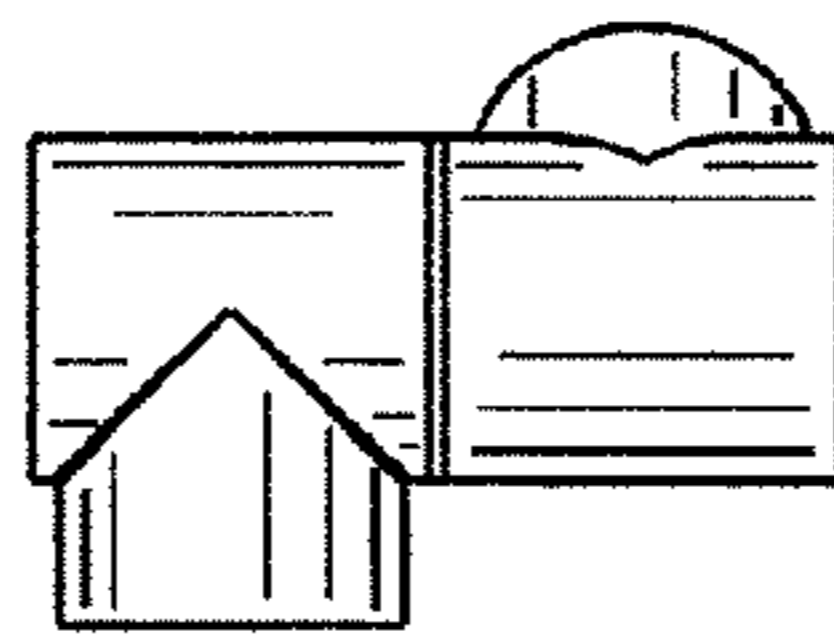


FIG. 2.5

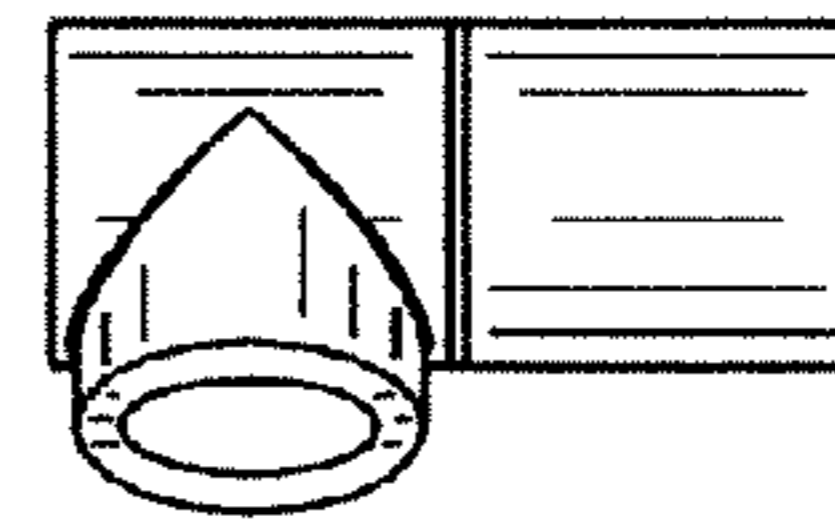


FIG. 2.6

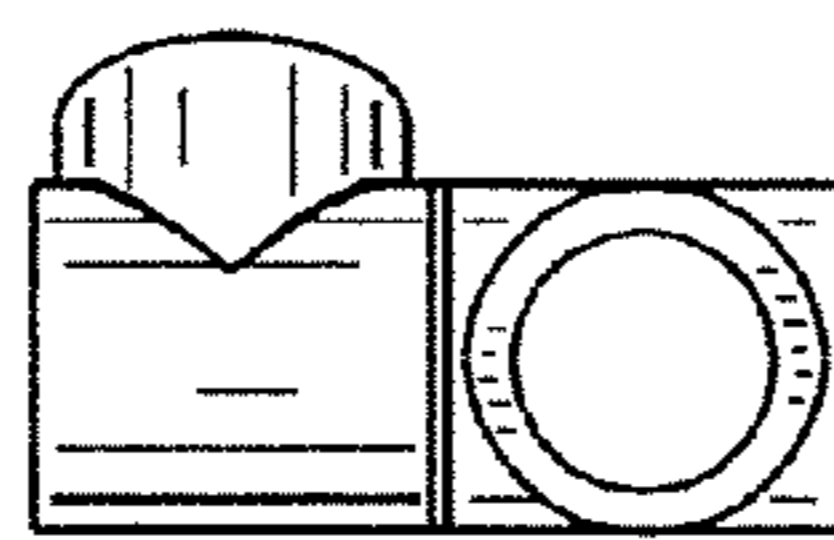


FIG. 2.7