



US00D643909S

(12) **United States Design Patent**  
**Flowers et al.**

(10) **Patent No.:** **US D643,909 S**

(45) **Date of Patent:** **\*\* Aug. 23, 2011**

(54) **WASH BASIN MIXER**

(75) Inventors: **Paul Flowers**, Duesseldorf (DE); **Hans Lobermeier**, Menden (DE)

(73) Assignee: **Grohe AG**, Hemer (DE)

(\*\*) Term: **14 Years**

(21) Appl. No.: **29/380,272**

(22) Filed: **Dec. 2, 2010**

(30) **Foreign Application Priority Data**

Jun. 2, 2010 (EM) ..... 001714981-0003

(51) **LOC (9) Cl.** ..... **23-01**

(52) **U.S. Cl.** ..... **D23/238**

(58) **Field of Classification Search** ..... D23/238,  
D23/241-243, 250, 252, 255, 257; 4/676-678;  
137/801

See application file for complete search history.

(56) **References Cited**

**U.S. PATENT DOCUMENTS**

D531,699 S *	11/2006	Haug et al. ....	D23/238
D582,008 S *	12/2008	Citterio .....	D23/238
D585,524 S *	1/2009	Schoenherr et al. ....	D23/238
D591,399 S *	4/2009	Miyamoto et al. ....	D23/238
D594,091 S *	6/2009	Schoenherr et al. ....	D23/238

\* cited by examiner

*Primary Examiner* — Robert Delehanty

(74) *Attorney, Agent, or Firm* — Muncy, Geissler, Olds & Lowe, PLLC

(57) **CLAIM**

The ornamental design for a wash basin mixer, as shown and described.

**DESCRIPTION**

FIG. 1 is a left side elevational view of a wash basin mixer according to the present invention.

FIG. 2 is a right side elevational view of the wash basin mixer of FIG. 1.

FIG. 3 is a top plan view of the wash basin mixer of FIG. 1.

FIG. 4 is a bottom plan view of the wash basin mixer of FIG. 1.

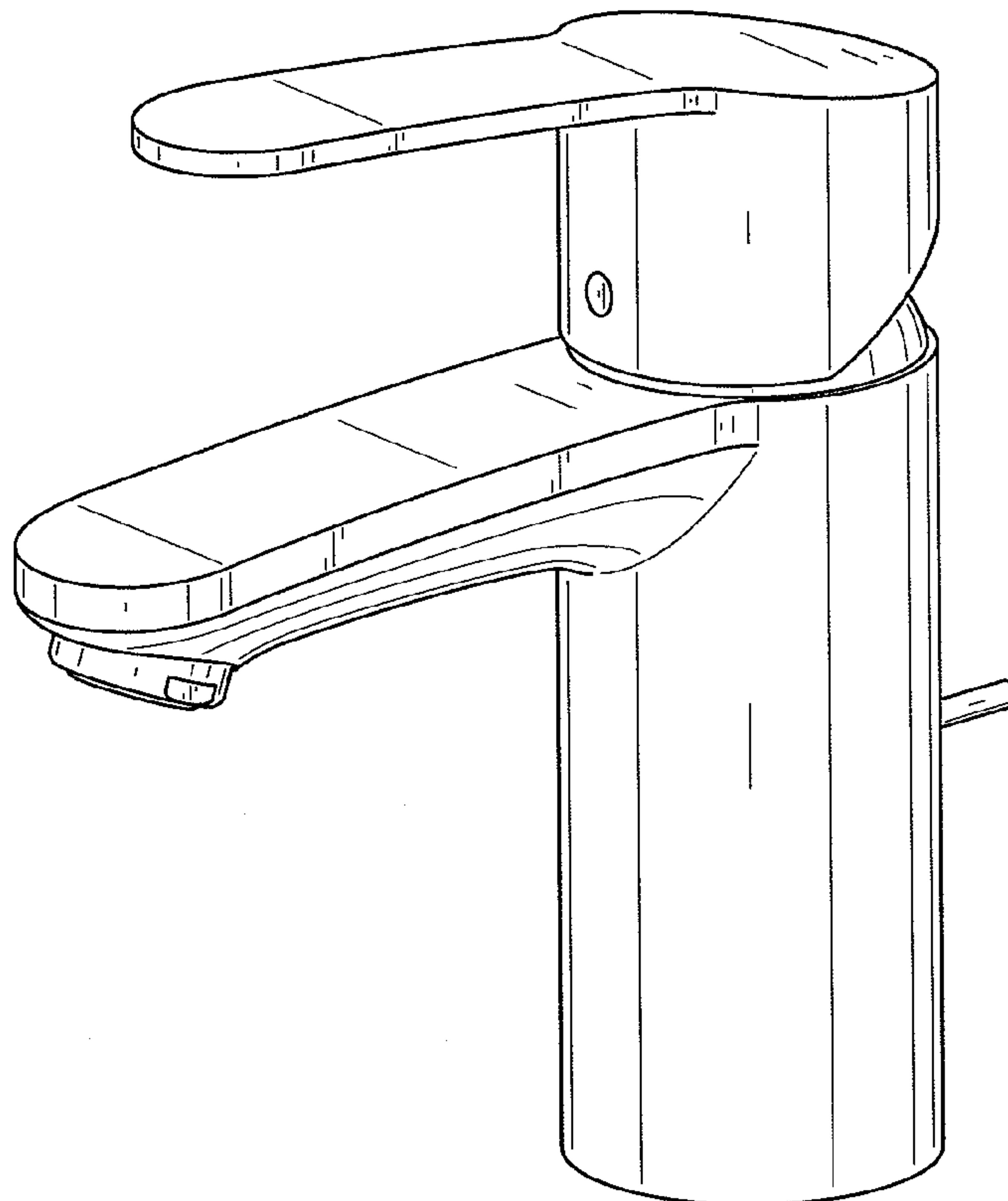
FIG. 5 is a front elevational view of the wash basin mixer of FIG. 1.

FIG. 6 is a rear elevational view of the wash basin mixer of FIG. 1; and,

FIG. 7 is a three quarter view of the wash basin mixer of FIG. 1.

The dashed lines illustrate environment that does not form a part of the present invention, and no claim is made to the material illustrated with dashed lines.

**1 Claim, 5 Drawing Sheets**



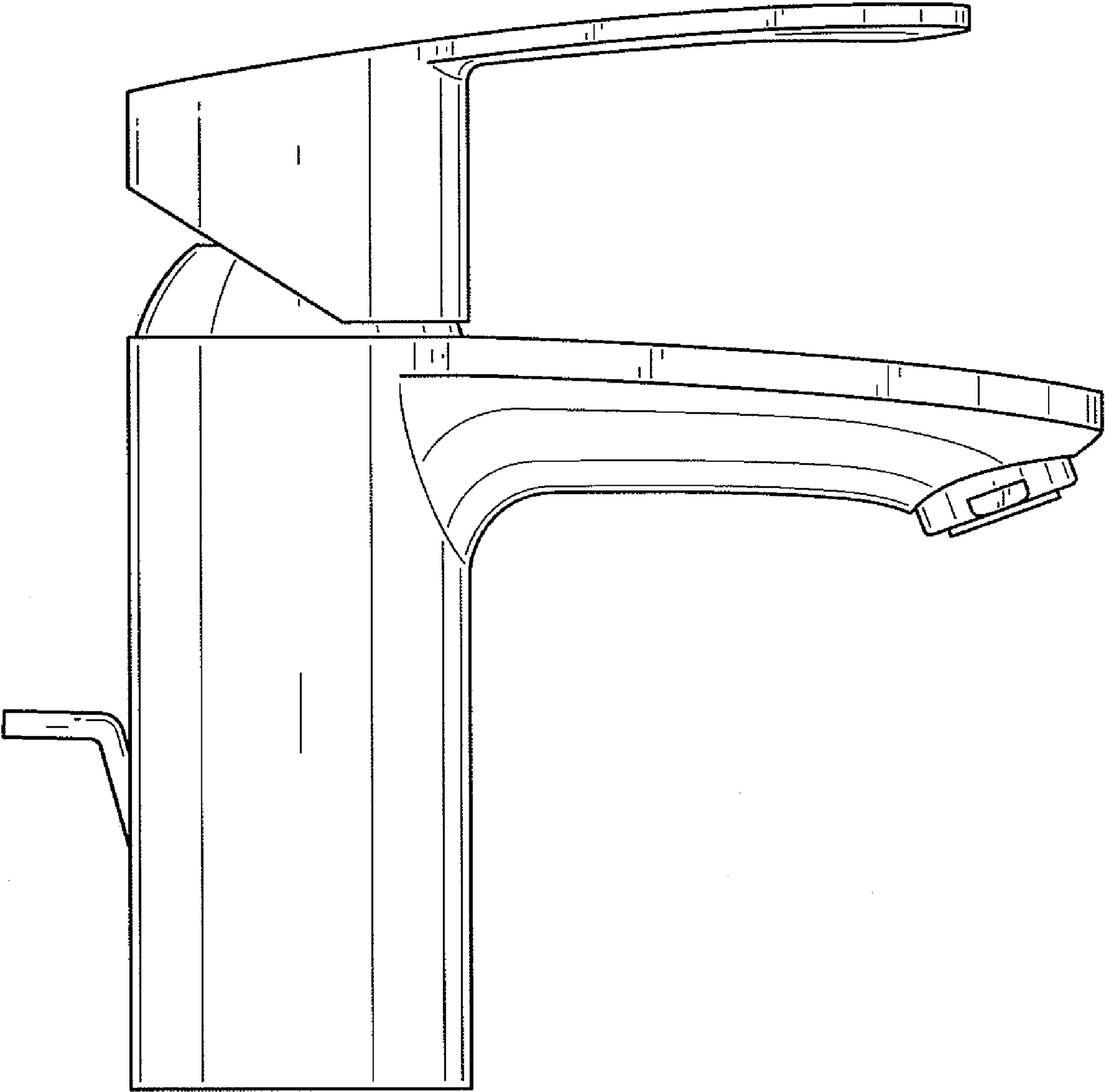


FIG. 1

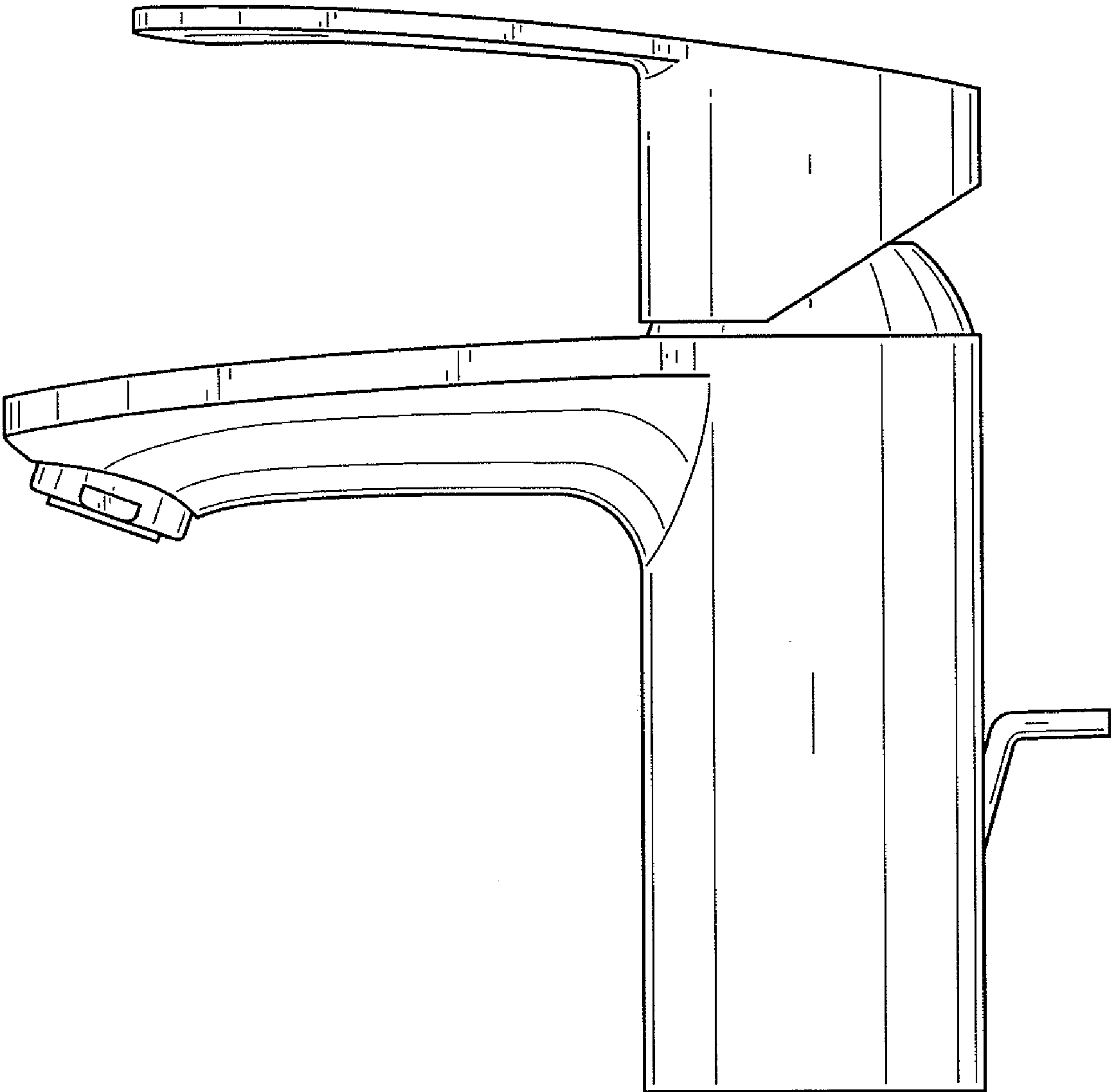


FIG. 2

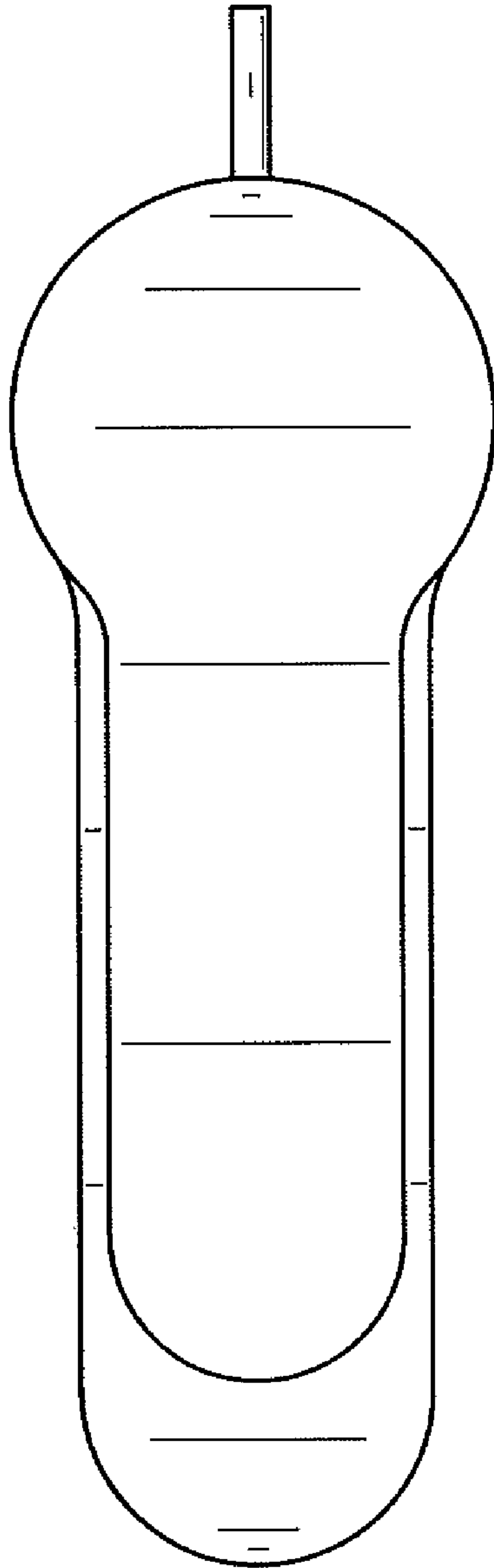


FIG. 3

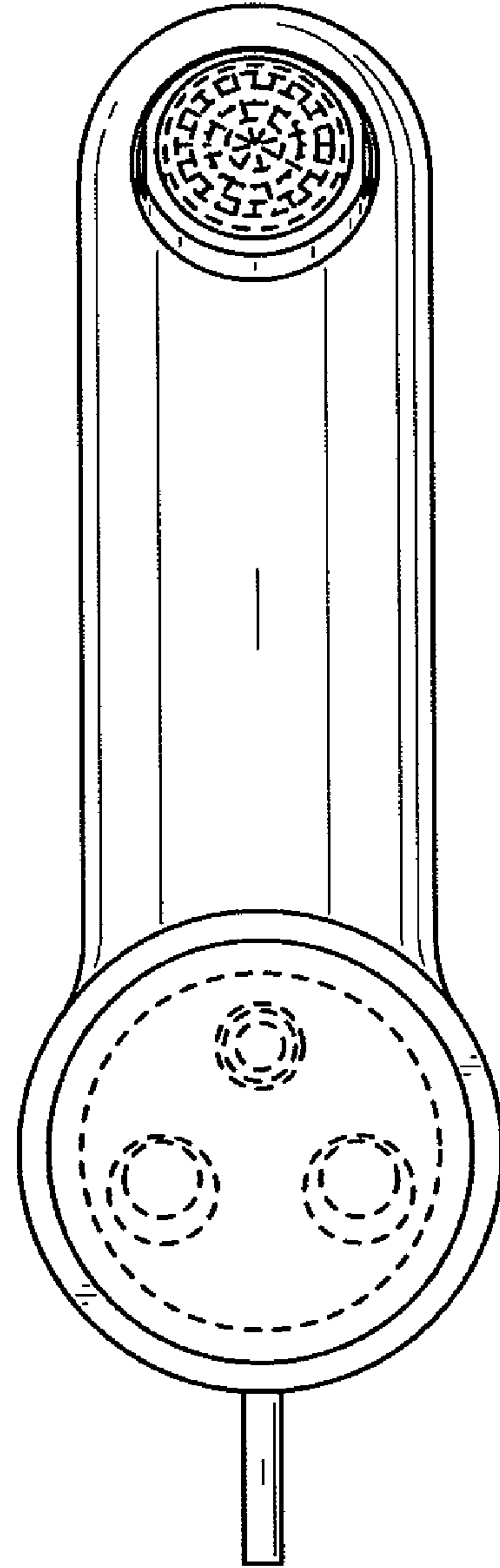


FIG. 4

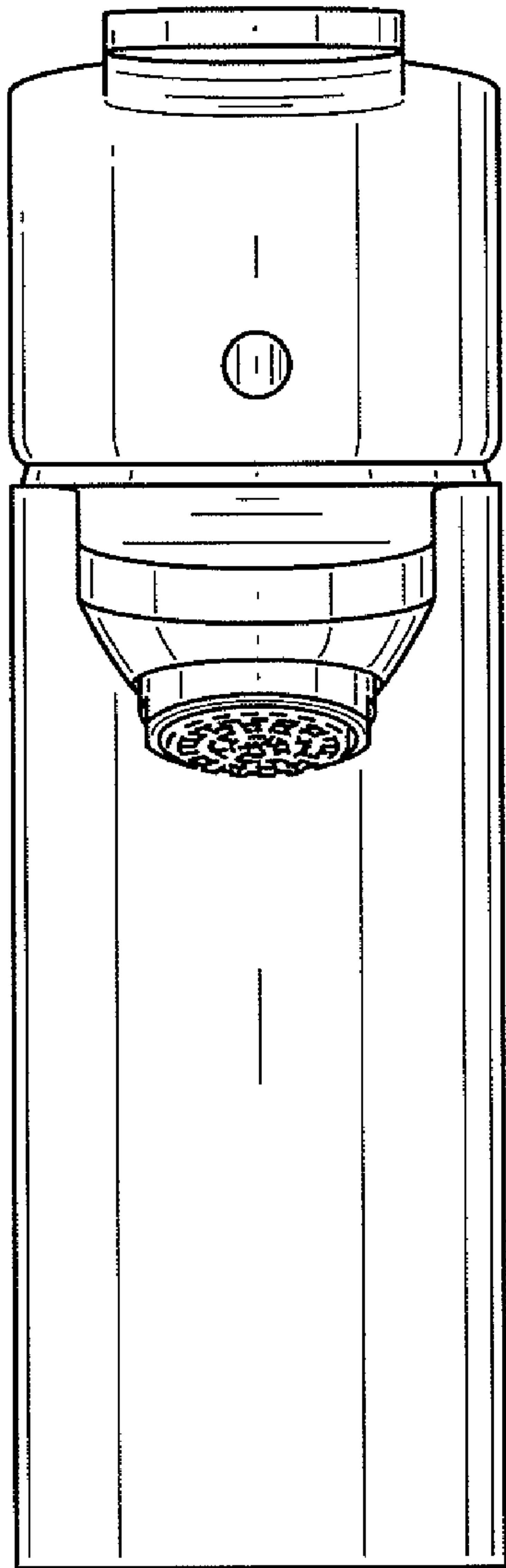


FIG. 5

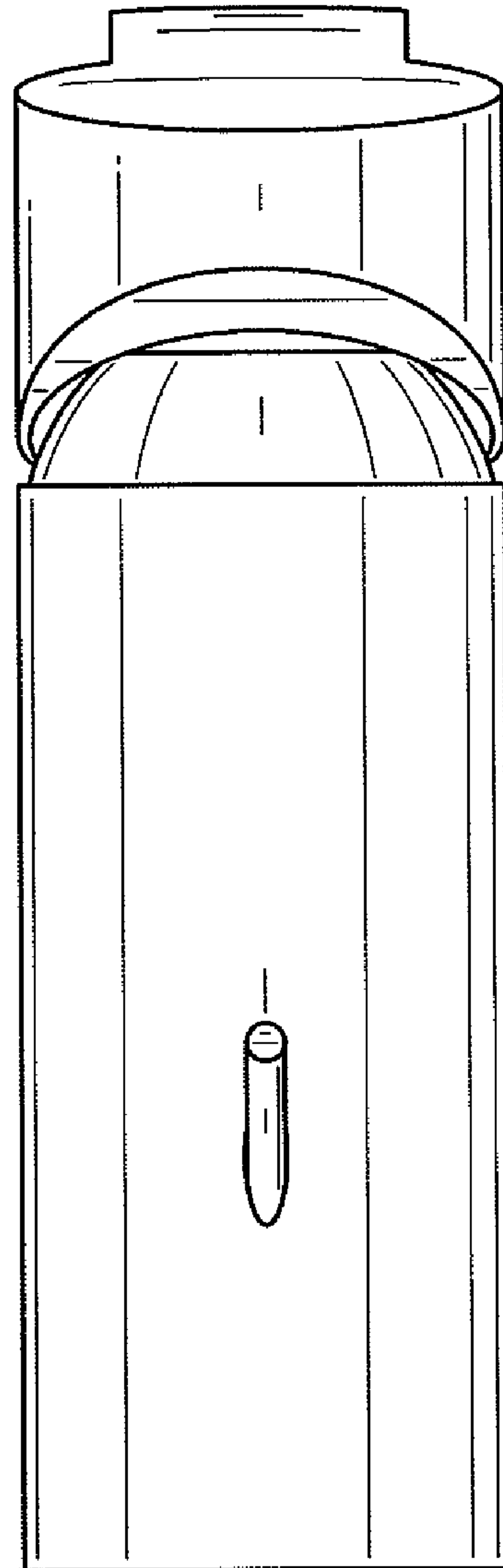


FIG. 6

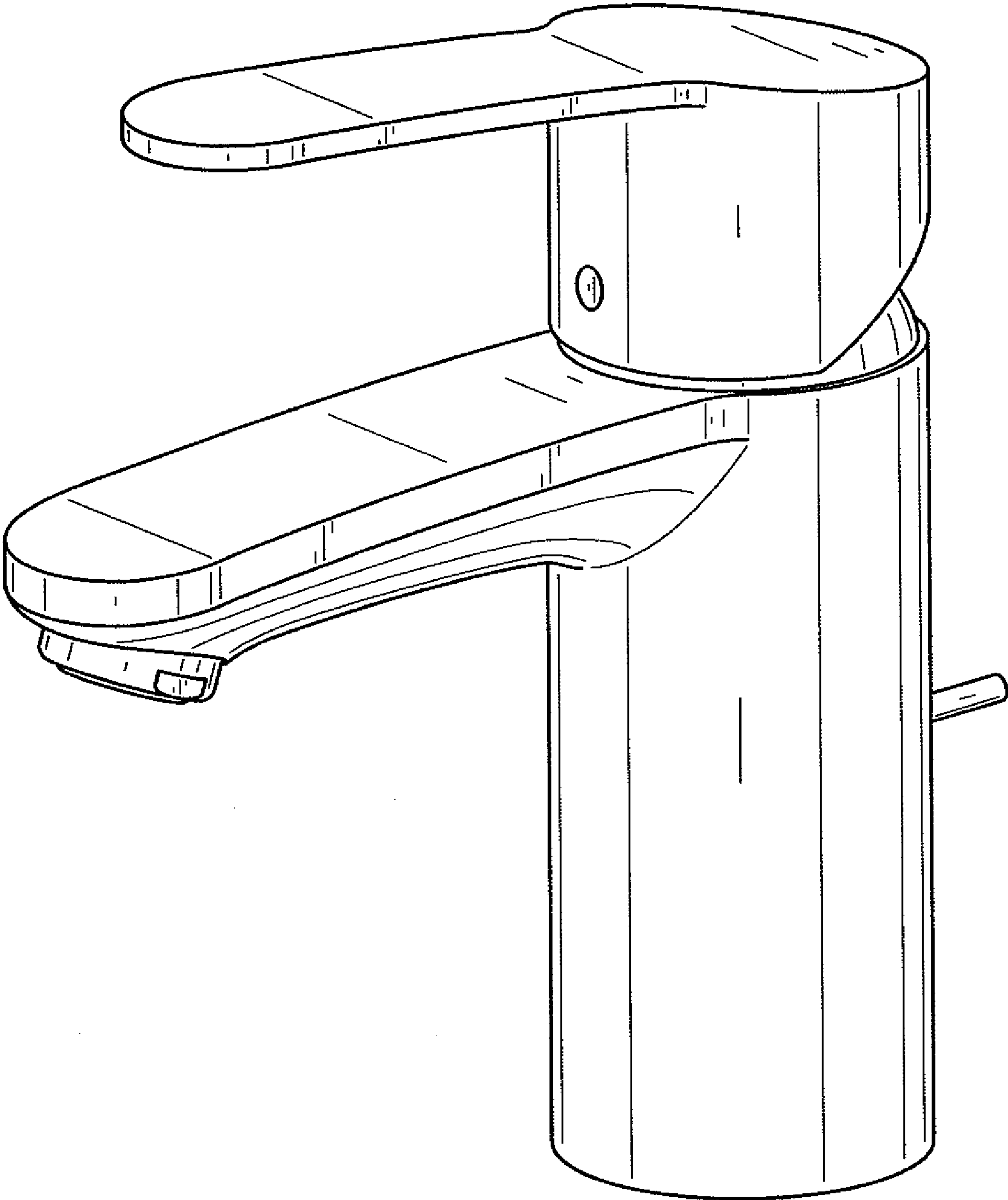


FIG. 7