



US00D643906S

(12) **United States Design Patent**  
**Kendall et al.**

(10) **Patent No.:** **US D643,906 S**  
(45) **Date of Patent:** **\*\* \*Aug. 23, 2011**

(54) **LIQUID CONTAINMENT VESSEL**

(56) **References Cited**

(75) Inventors: **Jeffrey D. Kendall**, Laurel, MD (US);  
**Richard H. Chapman**, Camillus, NY  
(US)

U.S. PATENT DOCUMENTS

D270,856 S \* 10/1983 Peets et al. .... D23/202  
D452,294 S \* 12/2001 Harthoorn et al. .... D23/202  
D514,192 S \* 1/2006 Stoner ..... D23/202  
D527,789 S \* 9/2006 Thompson et al. .... D23/202

(73) Assignee: **Earthway Products, Inc.**, Bristol, IN  
(US)

\* cited by examiner

(\*) Notice: This patent is subject to a terminal disclaimer.

*Primary Examiner* — Robin Webster

(74) *Attorney, Agent, or Firm* — Kegler Brown Hill & Ritter;  
James J. Pingor

(\*\*) Term: **14 Years**

(57) **CLAIM**

We claim the ornamental design of liquid containment vessel,  
as shown and described.

(21) Appl. No.: **29/369,343**

**DESCRIPTION**

(22) Filed: **Sep. 7, 2010**

FIG. 1 is a right front perspective view of a liquid containment vessel;

(51) **LOC (9) Cl.** ..... **23-01**

FIG. 2 is a front view thereof;

(52) **U.S. Cl.** ..... **D23/202; D23/225**

FIG. 3 is a top view thereof;

(58) **Field of Classification Search** ..... D23/202–205,

FIG. 4 is a bottom view thereof;

D23/225; 220/586–587, 565, 567.1, 581,  
220/23.89; 239/157, 332–333

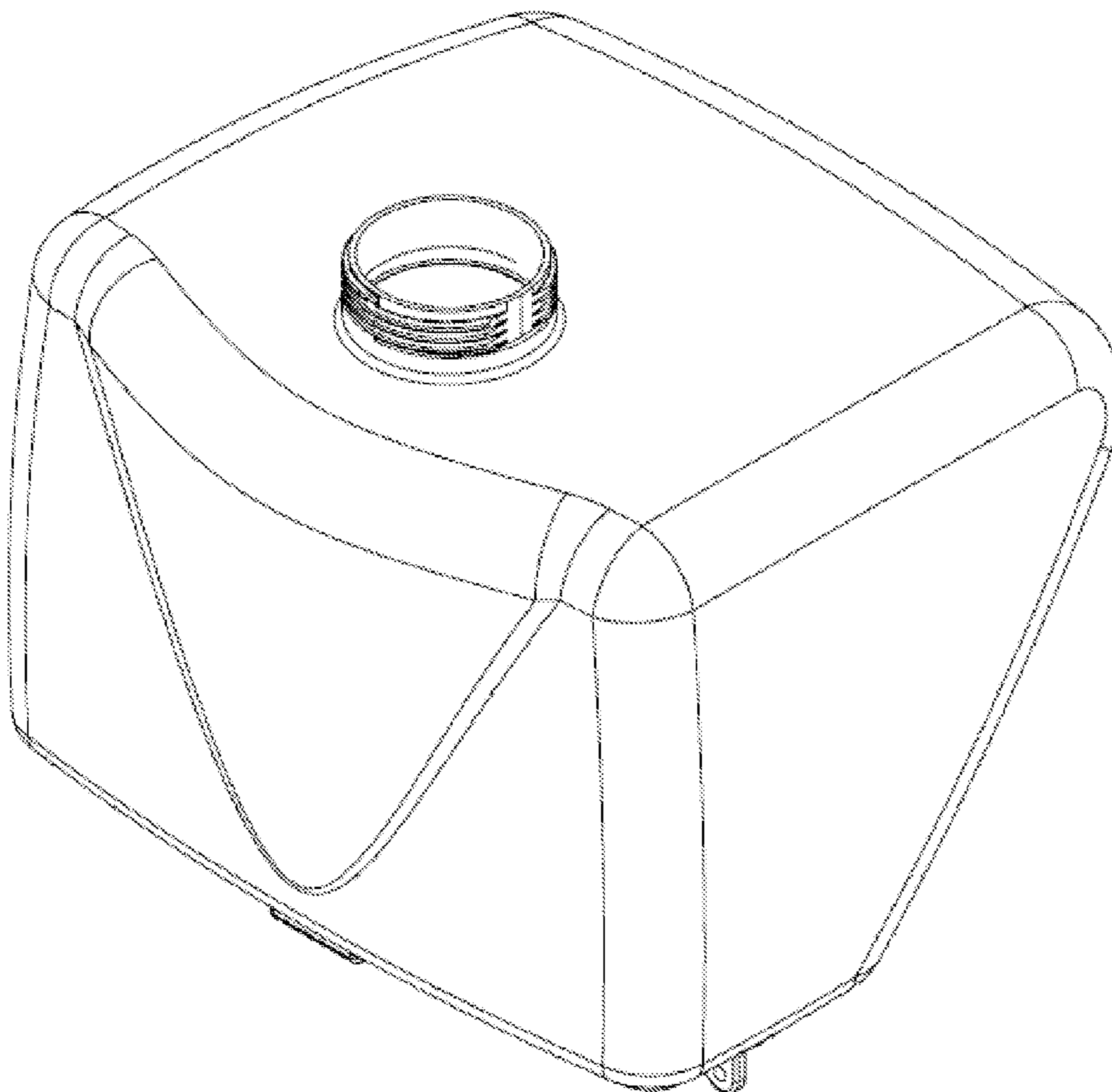
FIG. 5 is a left side view thereof;

FIG. 6 is a right side view thereof; and,

FIG. 7 is a rear view thereof.

See application file for complete search history.

**1 Claim, 7 Drawing Sheets**



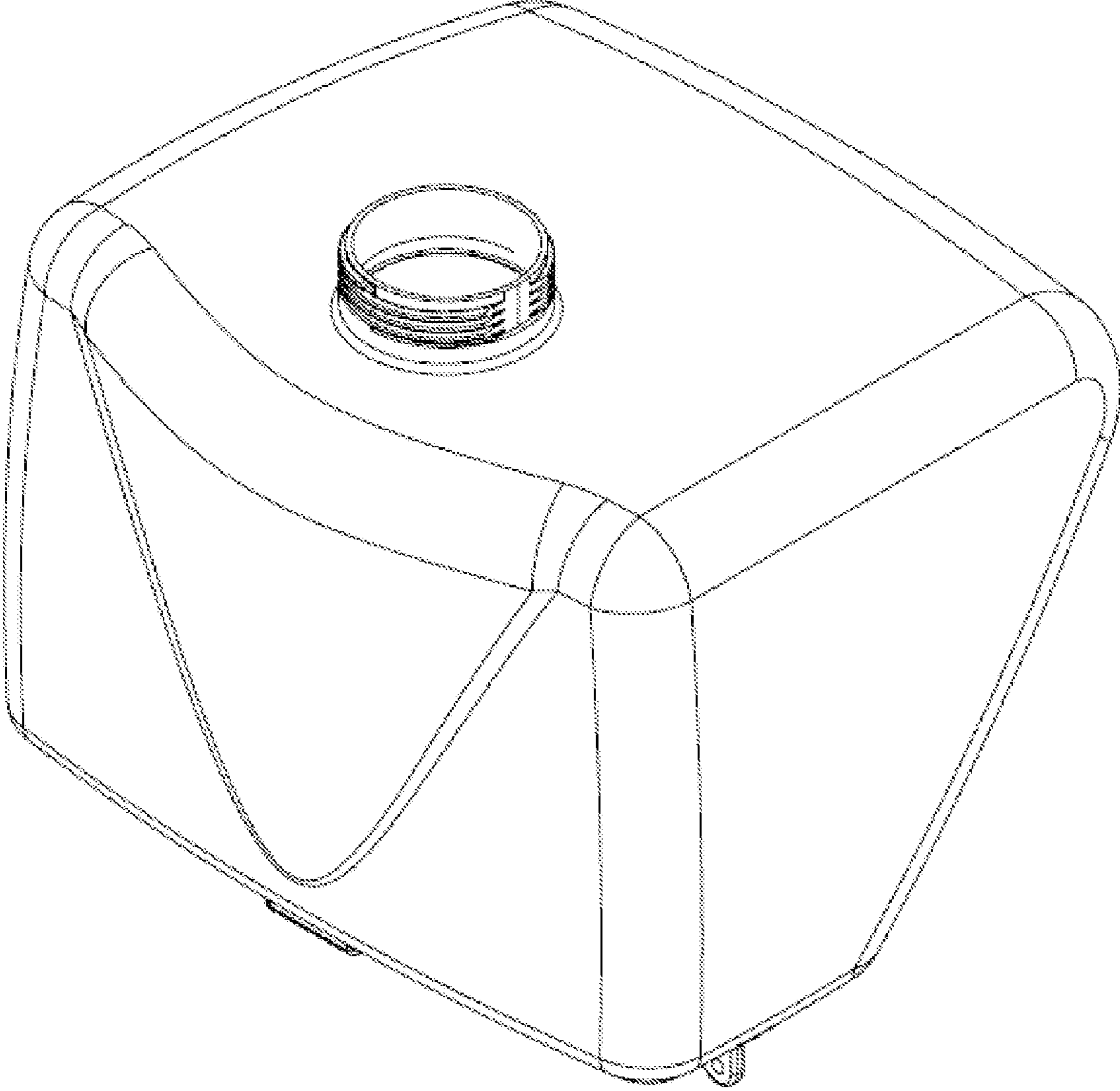


FIG. 1

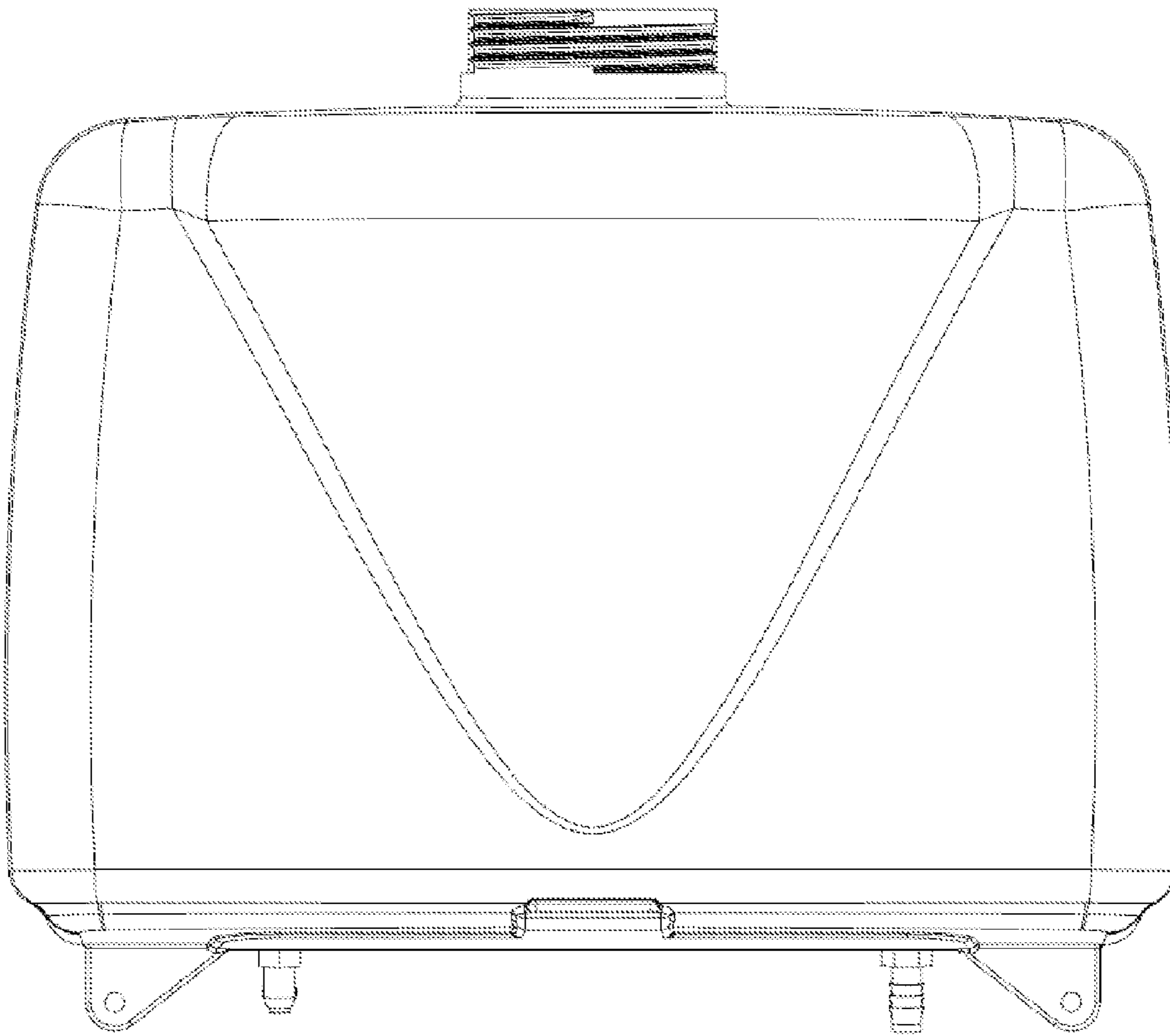


FIG. 2

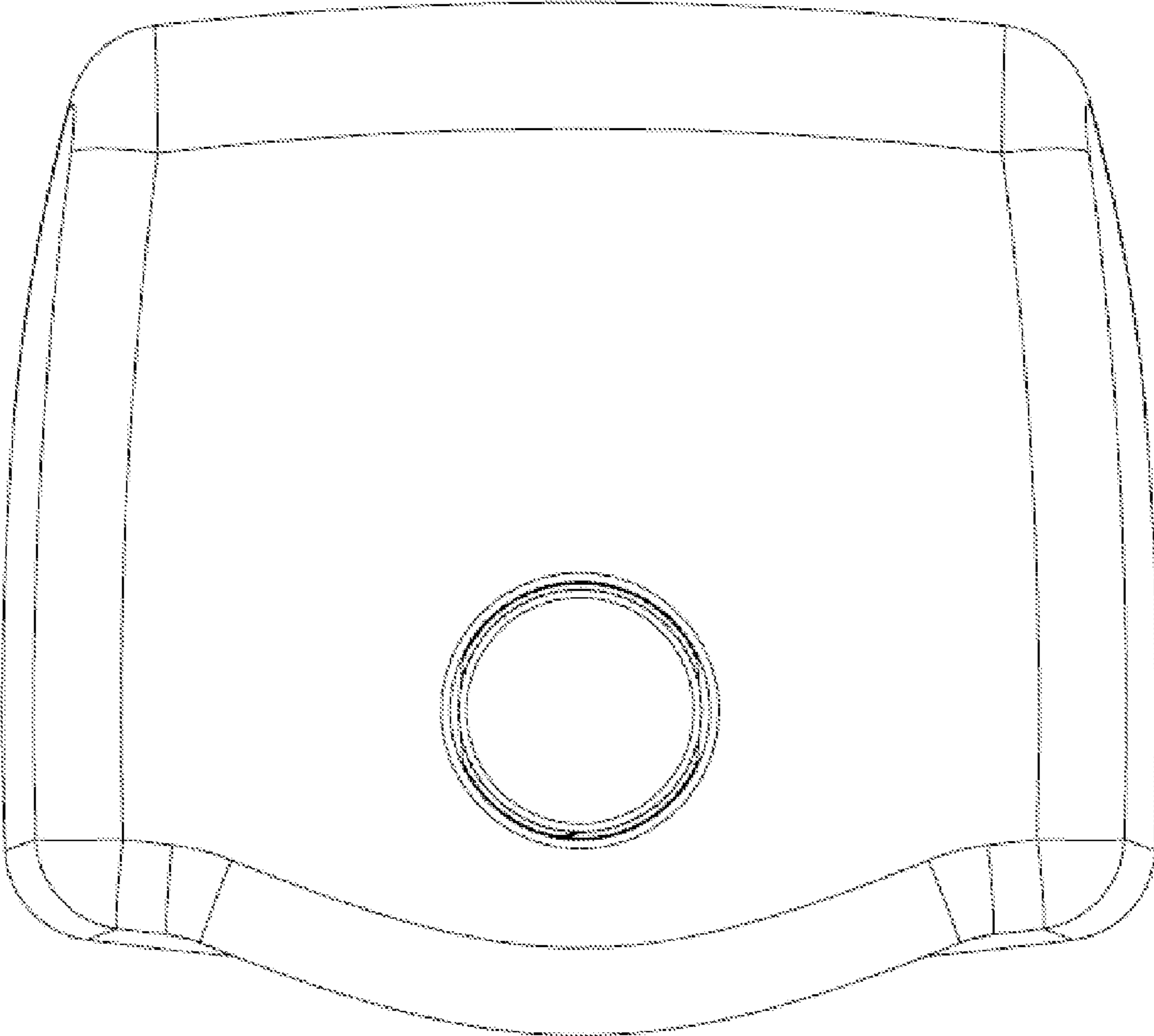


FIG. 3

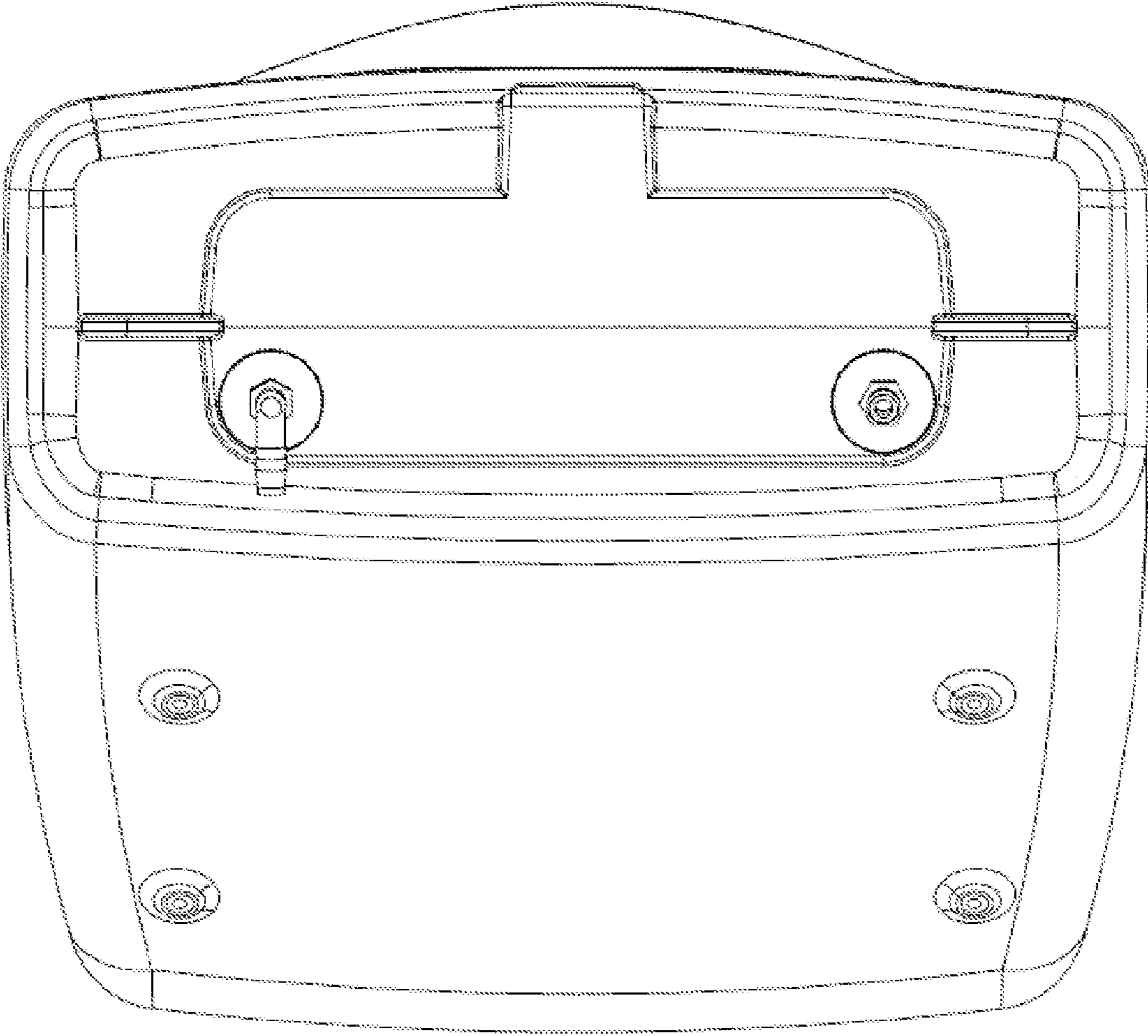


FIG. 4

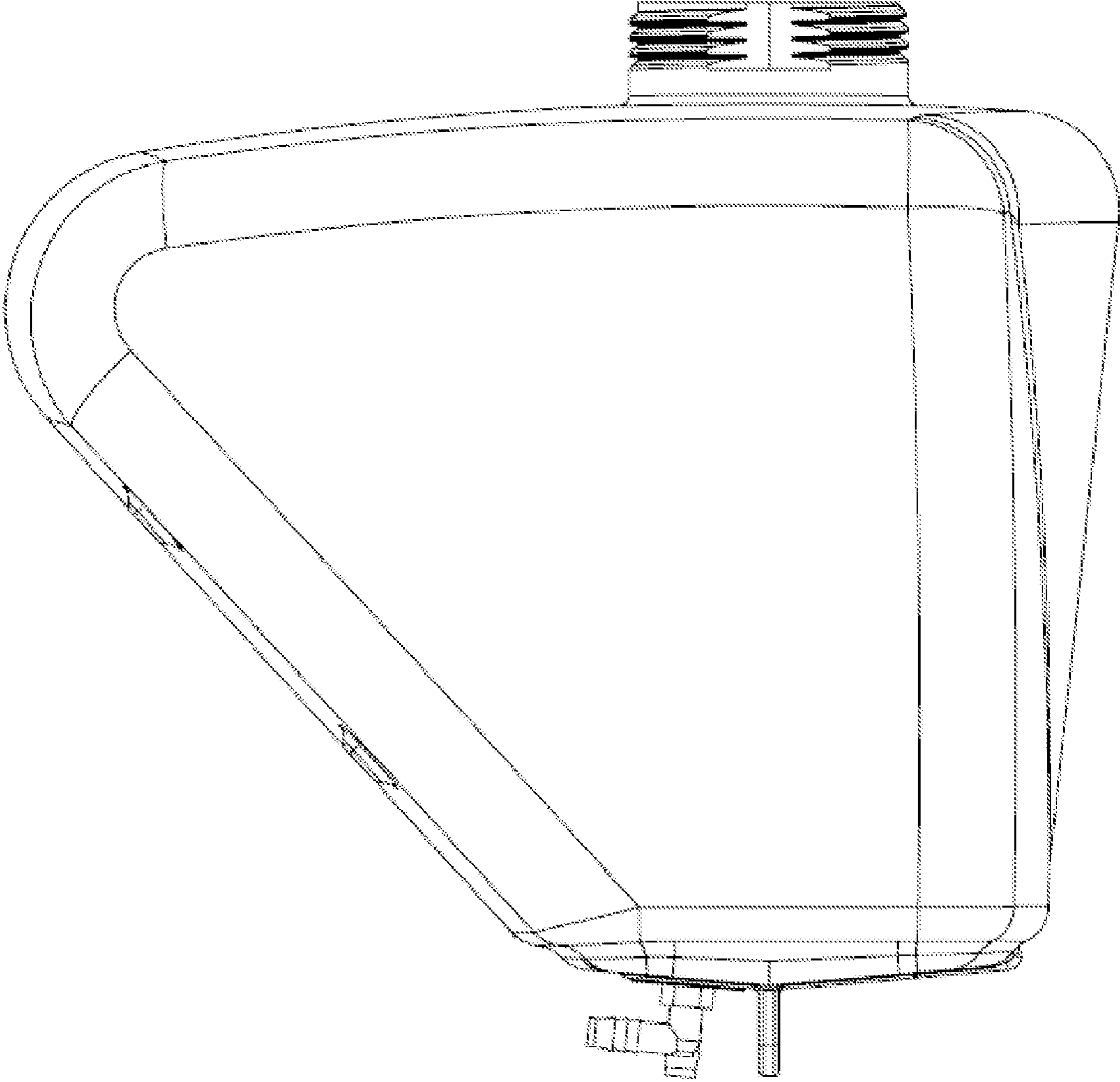


FIG. 5

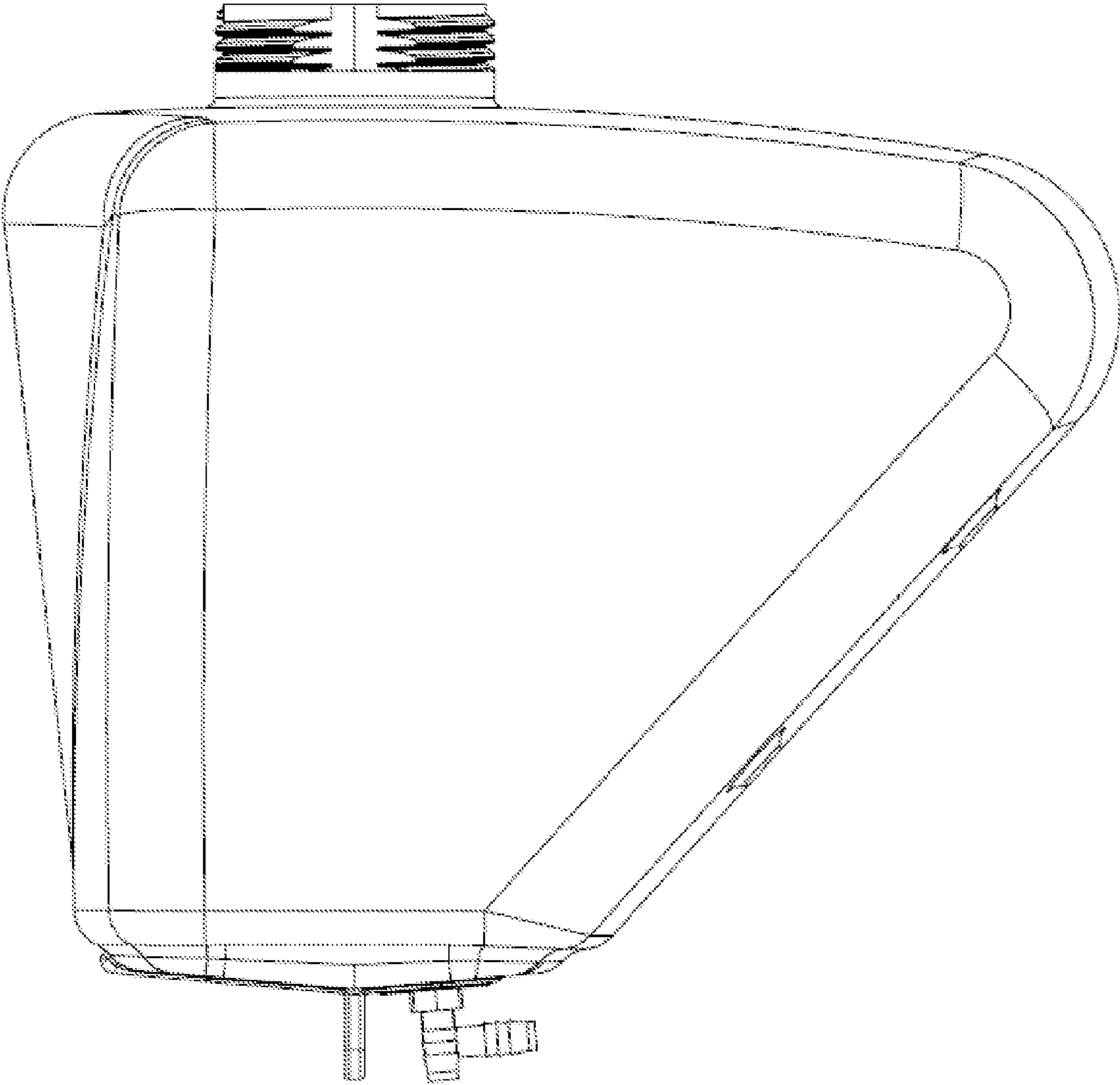


FIG. 6

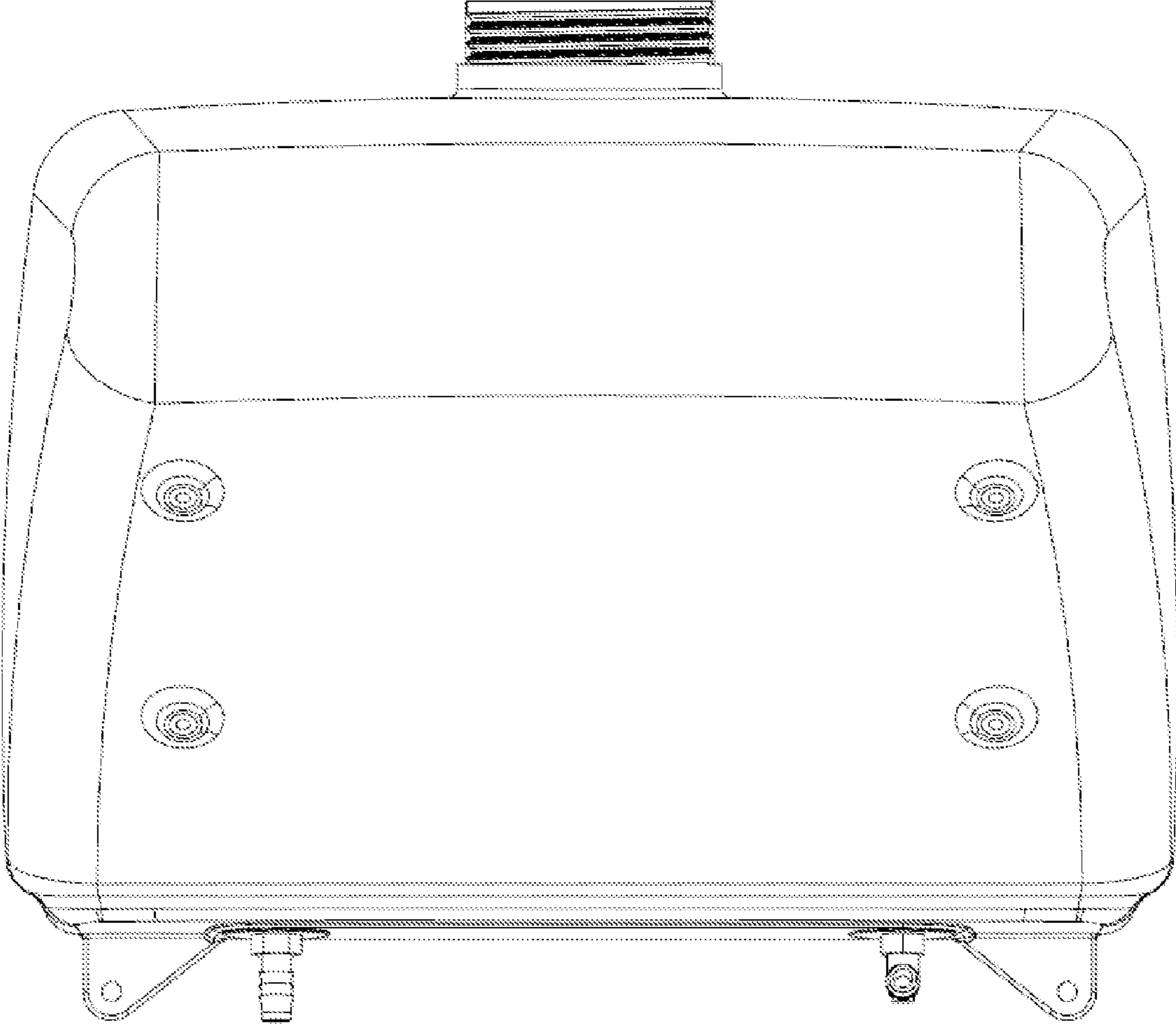


FIG. 7