



US00D643900S

(12) **United States Design Patent**  
**Utegaard**

(10) **Patent No.:** **US D643,900 S**

(45) **Date of Patent:** **\*\* Aug. 23, 2011**

(54) **CAR SHAPED POOL TABLE**

(75) Inventor: **Tony Utegaard**, Clearwater, FL (US)

(73) Assignee: **Mustang Entertainment, Inc.**, Largo, FL (US)

(\*\*) Term: **14 Years**

(21) Appl. No.: **29/345,826**

(22) Filed: **Oct. 22, 2009**

(51) **LOC (9) Cl.** ..... **21-01**

(52) **U.S. Cl.** ..... **D21/782**

(58) **Field of Classification Search** ..... D21/312,  
D21/313, 321, 782, 784, 338, 316; 273/317,  
273/317.4, 317.1, 108.1, 108, 118 R, 121 R,  
273/236, 241, 259, 287; 473/4, 10, 14, 29,  
473/475, 496; 108/25; D6/396

See application file for complete search history.

(56) **References Cited**

**U.S. PATENT DOCUMENTS**

D250,489 S \* 12/1978 Feck ..... D21/784  
D259,579 S \* 6/1981 Kaye ..... D21/784  
4,524,969 A \* 6/1985 Erzmonit ..... 473/17

D357,283 S \* 4/1995 Maxwell ..... D21/784  
6,840,515 B2 \* 1/2005 Seme ..... 273/118 R  
6,976,434 B2 \* 12/2005 Roig et al. .... 108/25  
D551,301 S \* 9/2007 Eyckmans ..... D21/312  
D612,443 S \* 3/2010 LeRand ..... D21/784

\* cited by examiner

*Primary Examiner* — Prabhakar Deshmukh

(74) *Attorney, Agent, or Firm* — Jeremy D. Spier; Smith & Hopen, P.A.

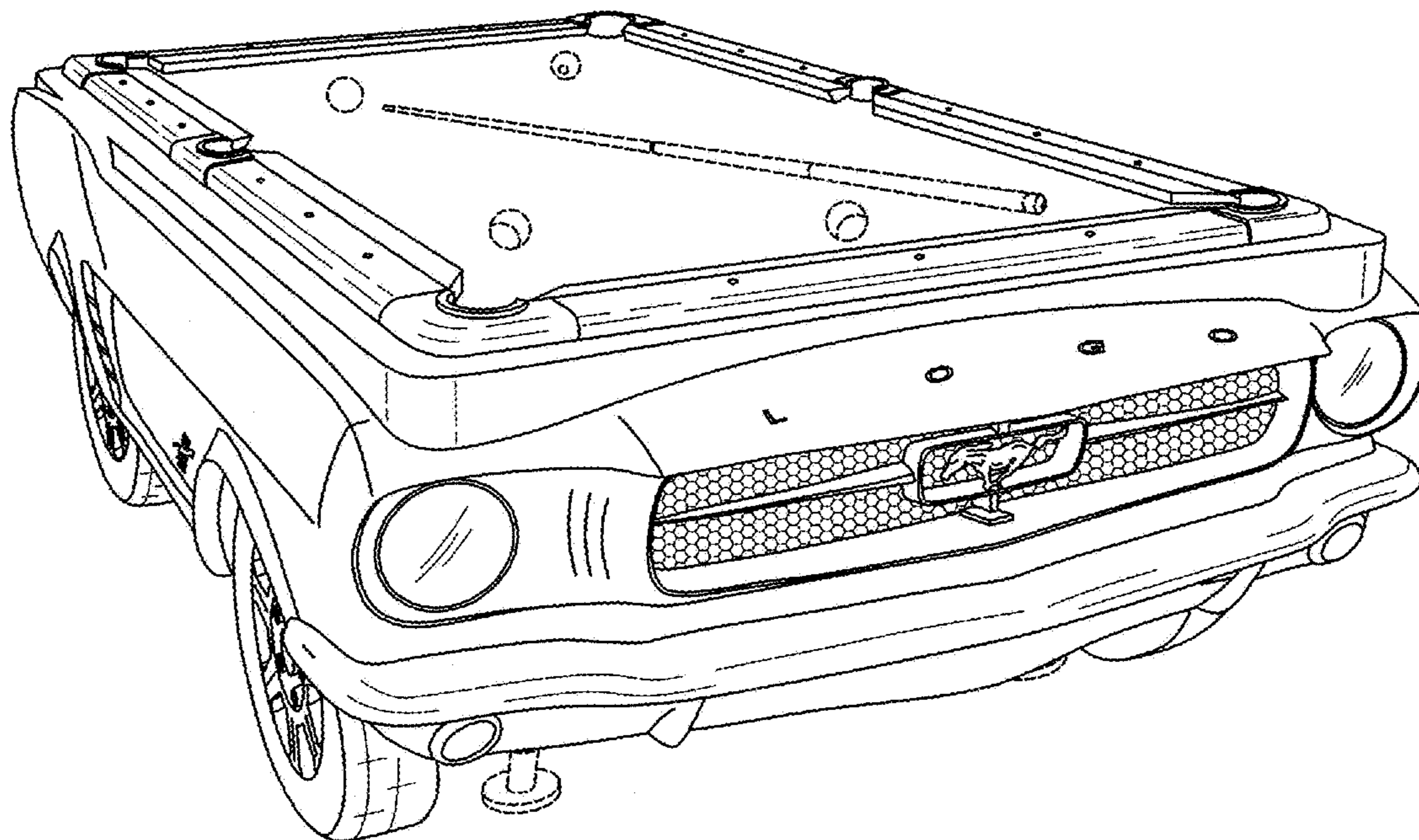
(57) **CLAIM**

The ornamental design for a car shaped pool table substantially, as shown and described.

**DESCRIPTION**

FIG. 1 is a perspective view of the car shaped pool table; FIG. 2 is a first side view thereof; FIG. 3 is a second side view thereof; FIG. 4 is a front view thereof; FIG. 5 is a back view thereof; FIG. 6 is a top plan view thereof; and, FIG. 7 is a bottom plan view thereof. The matter delineated in broken lines forms no part of the claimed ornamental design.

**1 Claim, 5 Drawing Sheets**



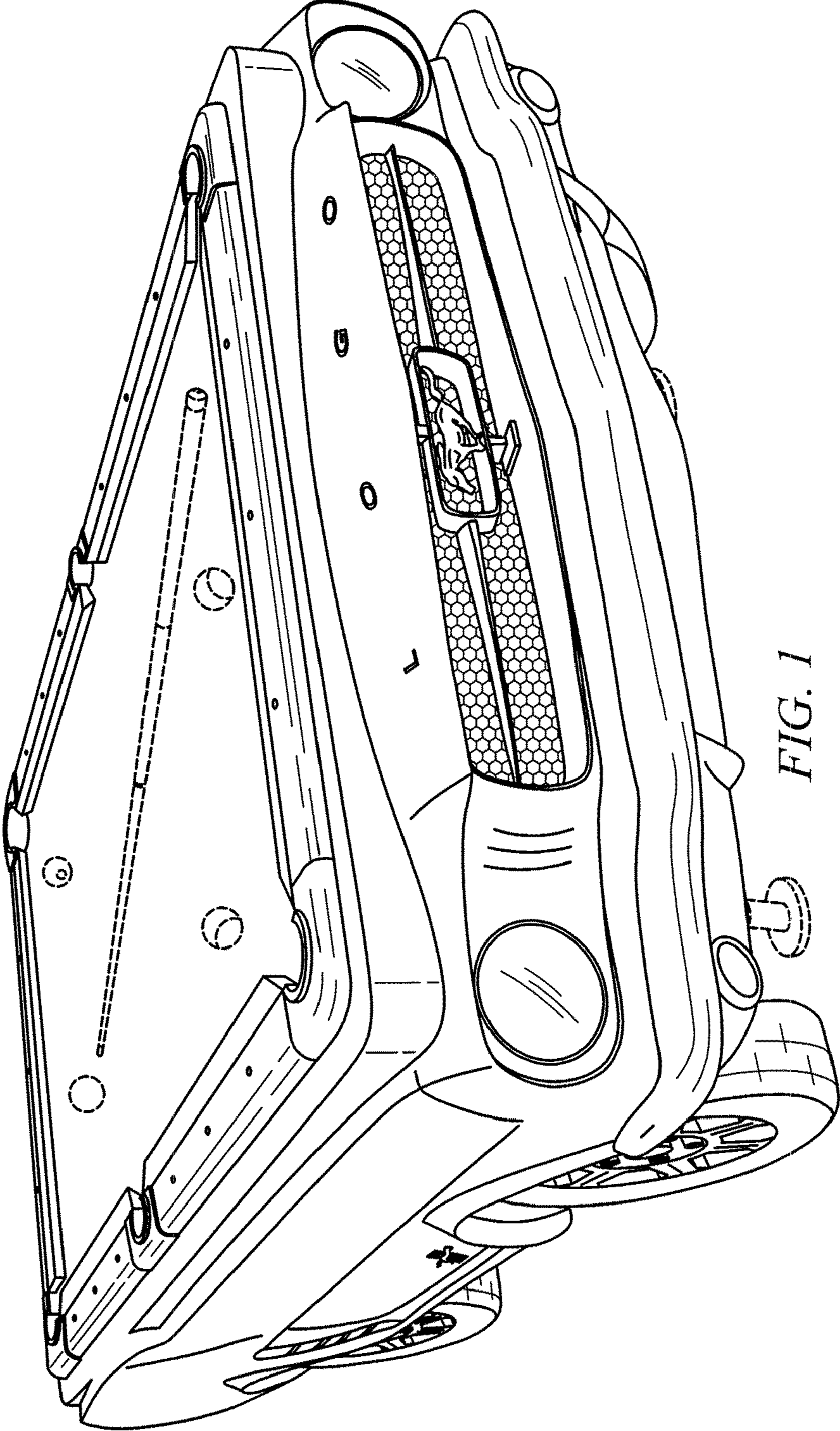


FIG. 1

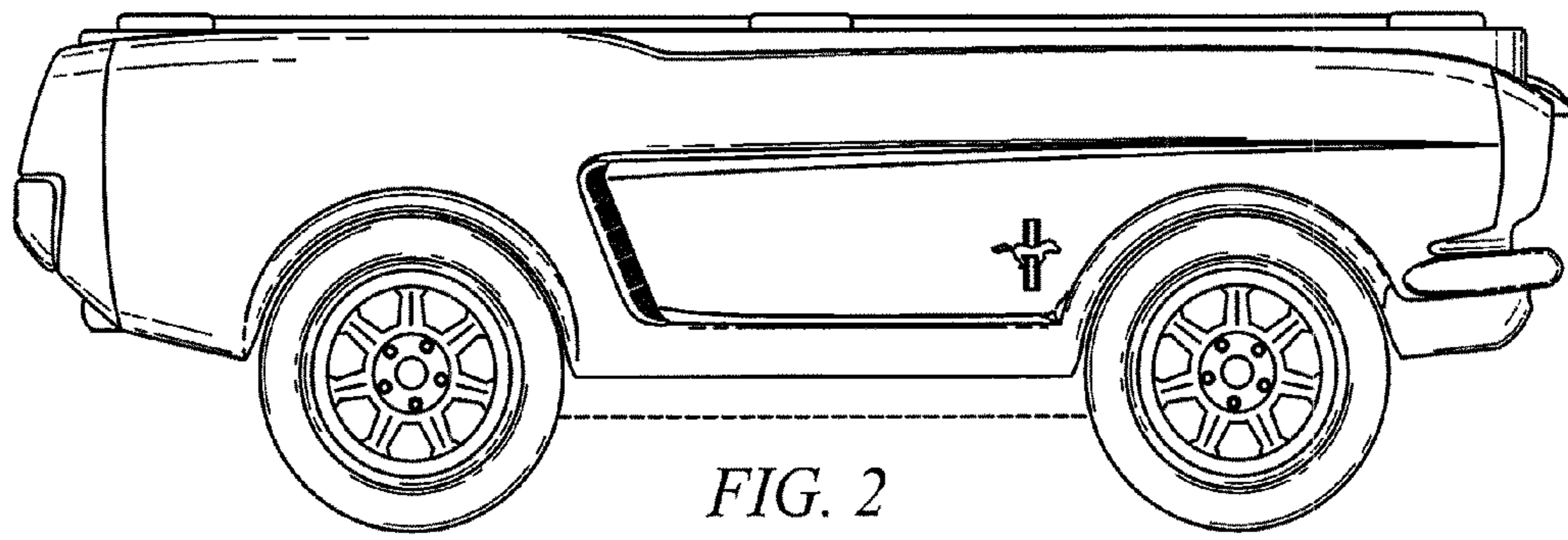


FIG. 2

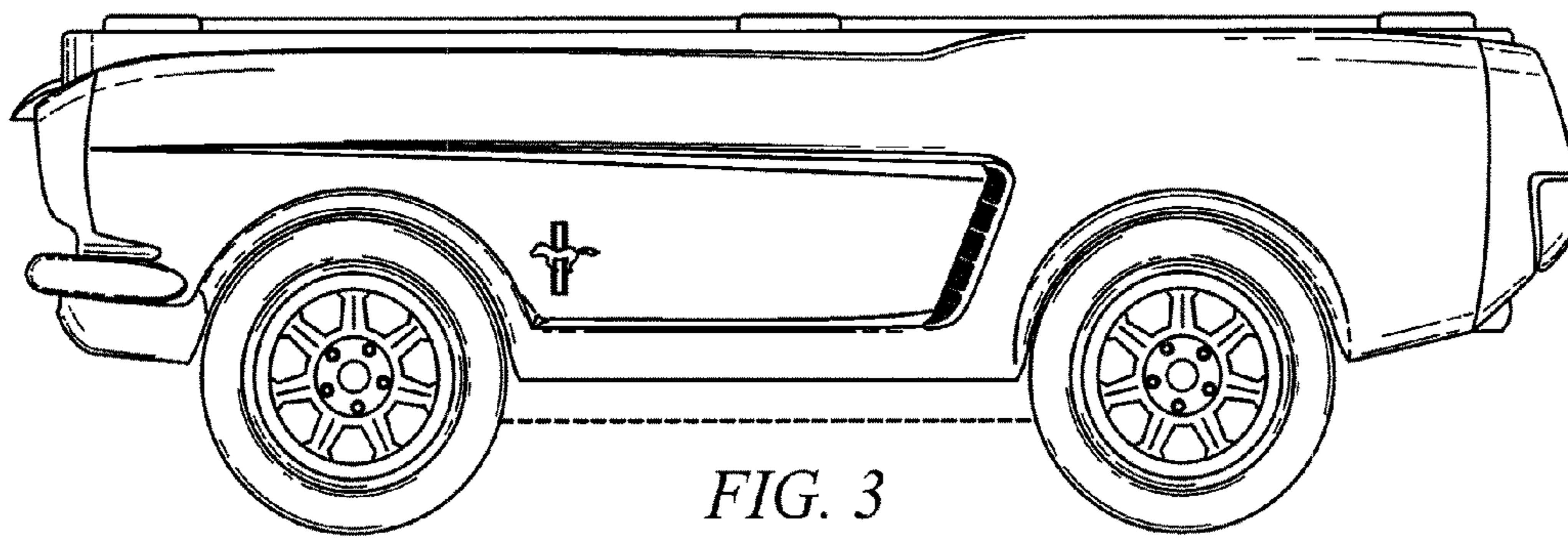


FIG. 3

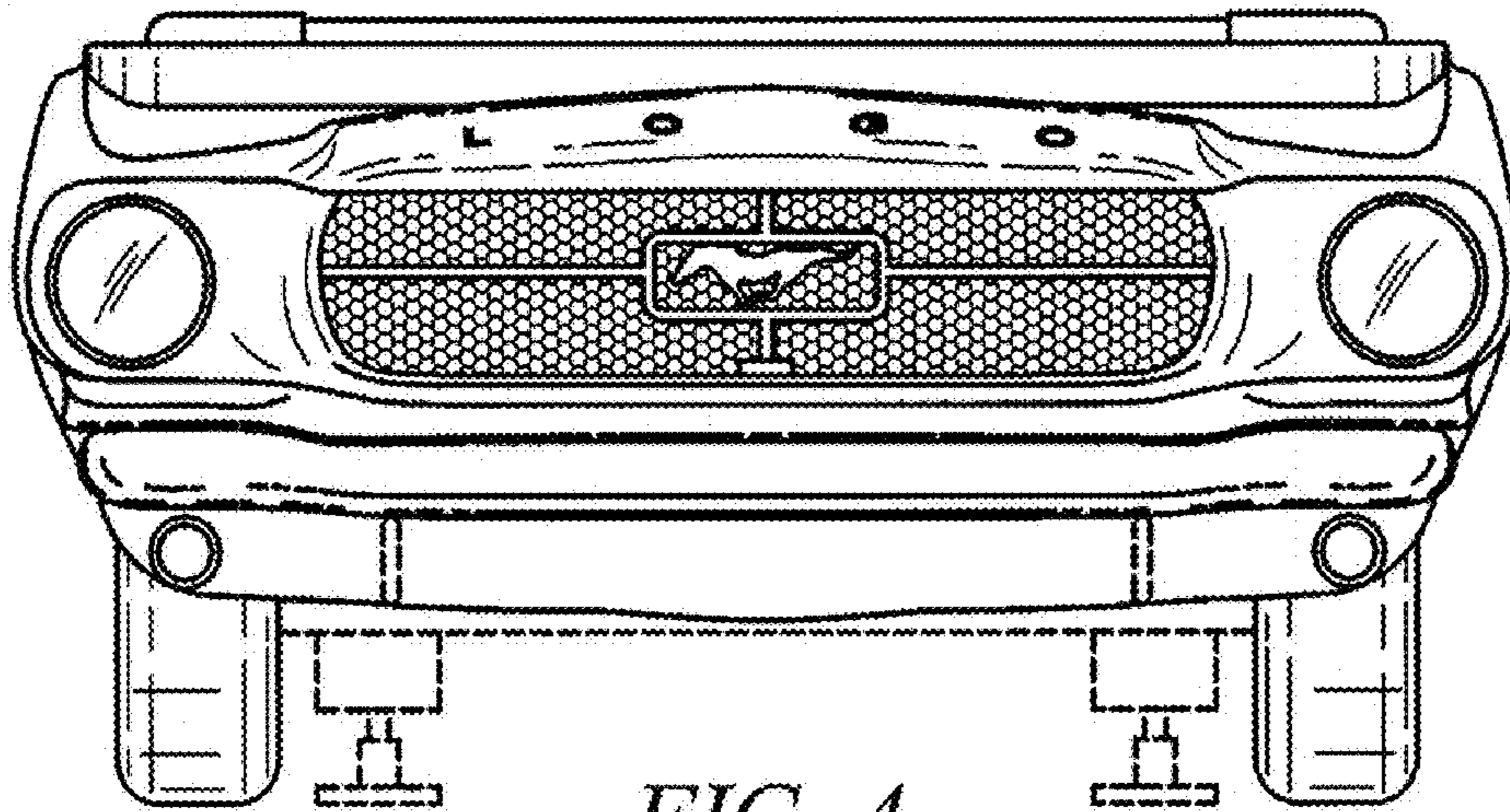


FIG. 4

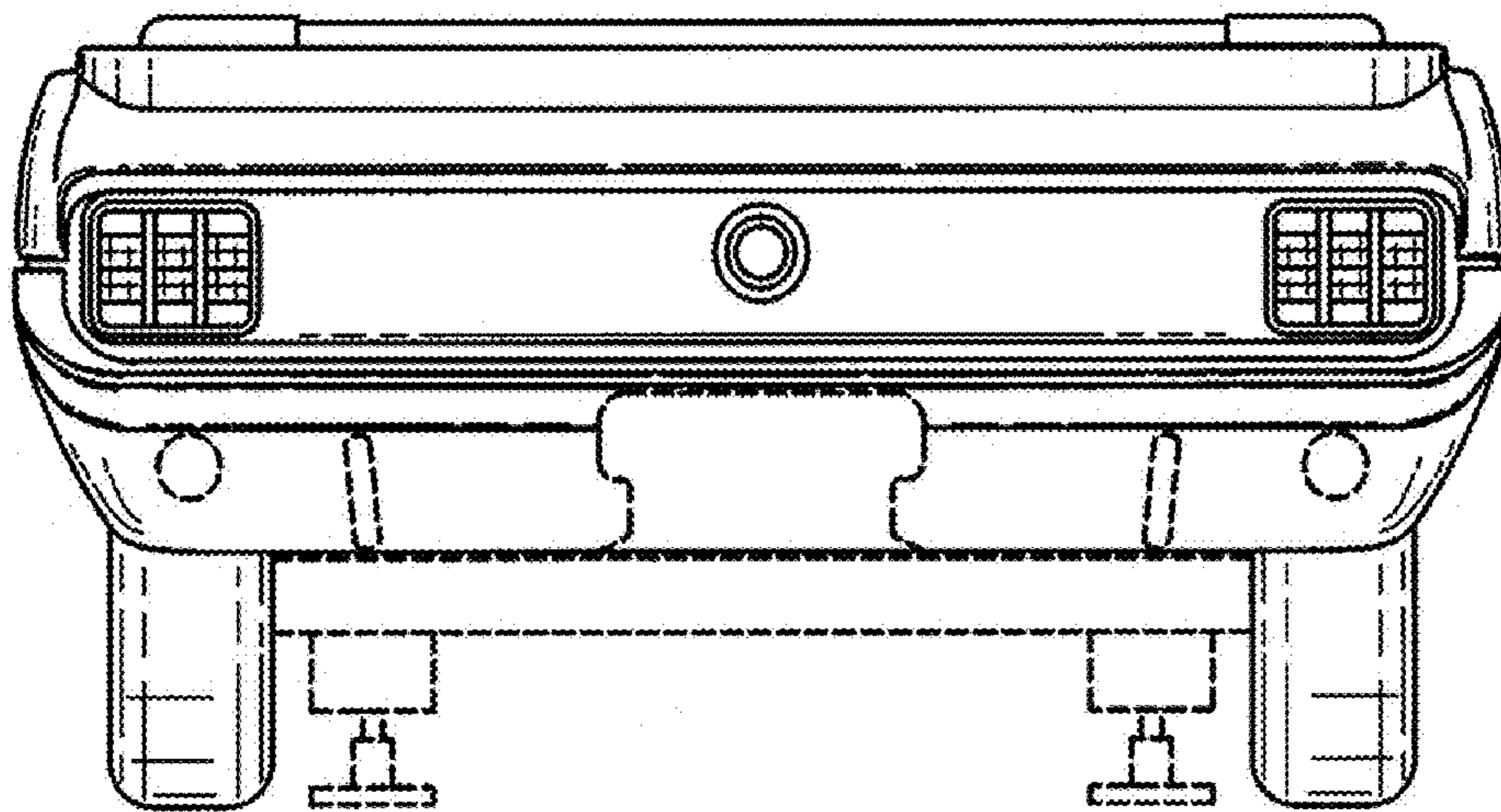


FIG. 5

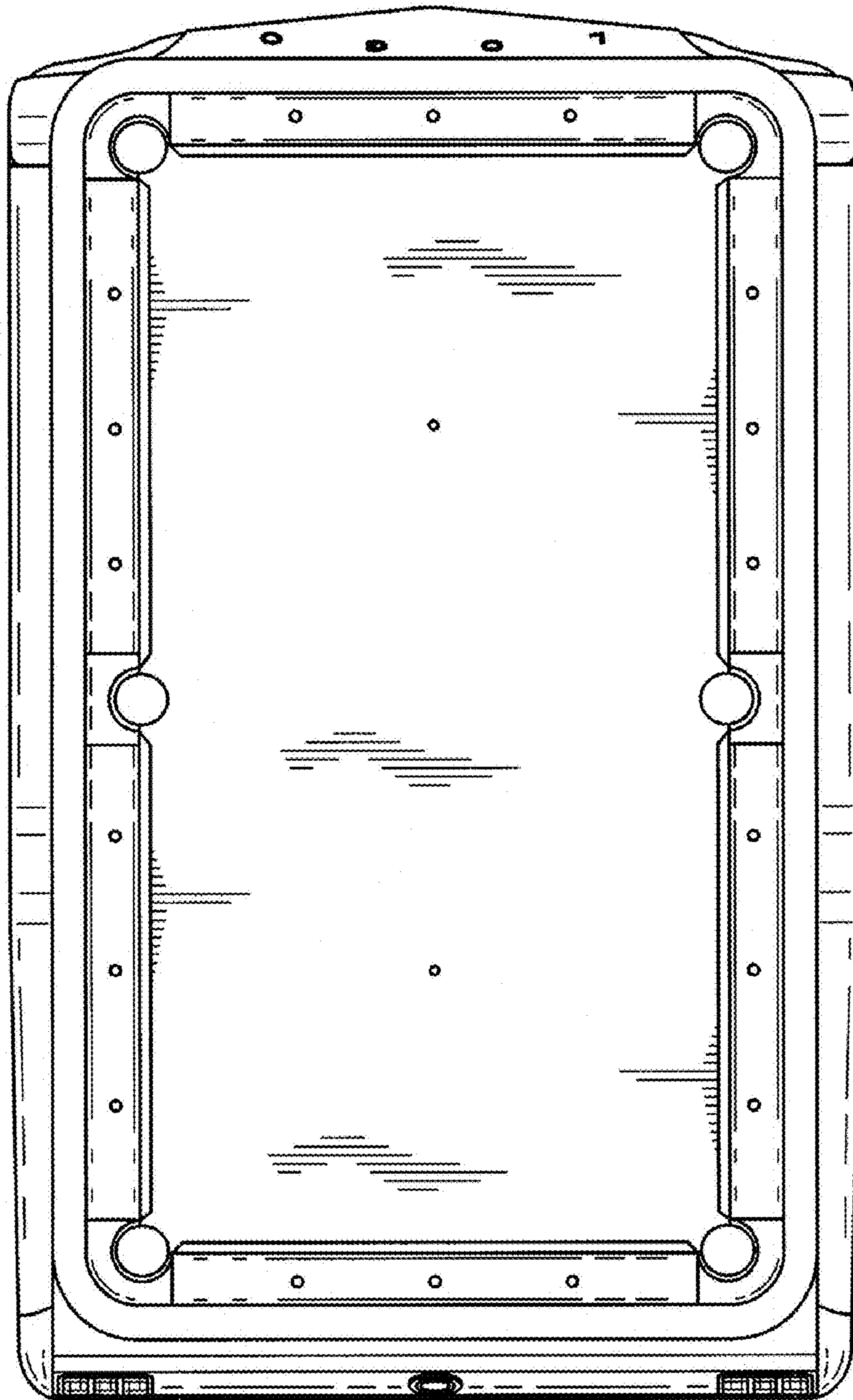


FIG. 6

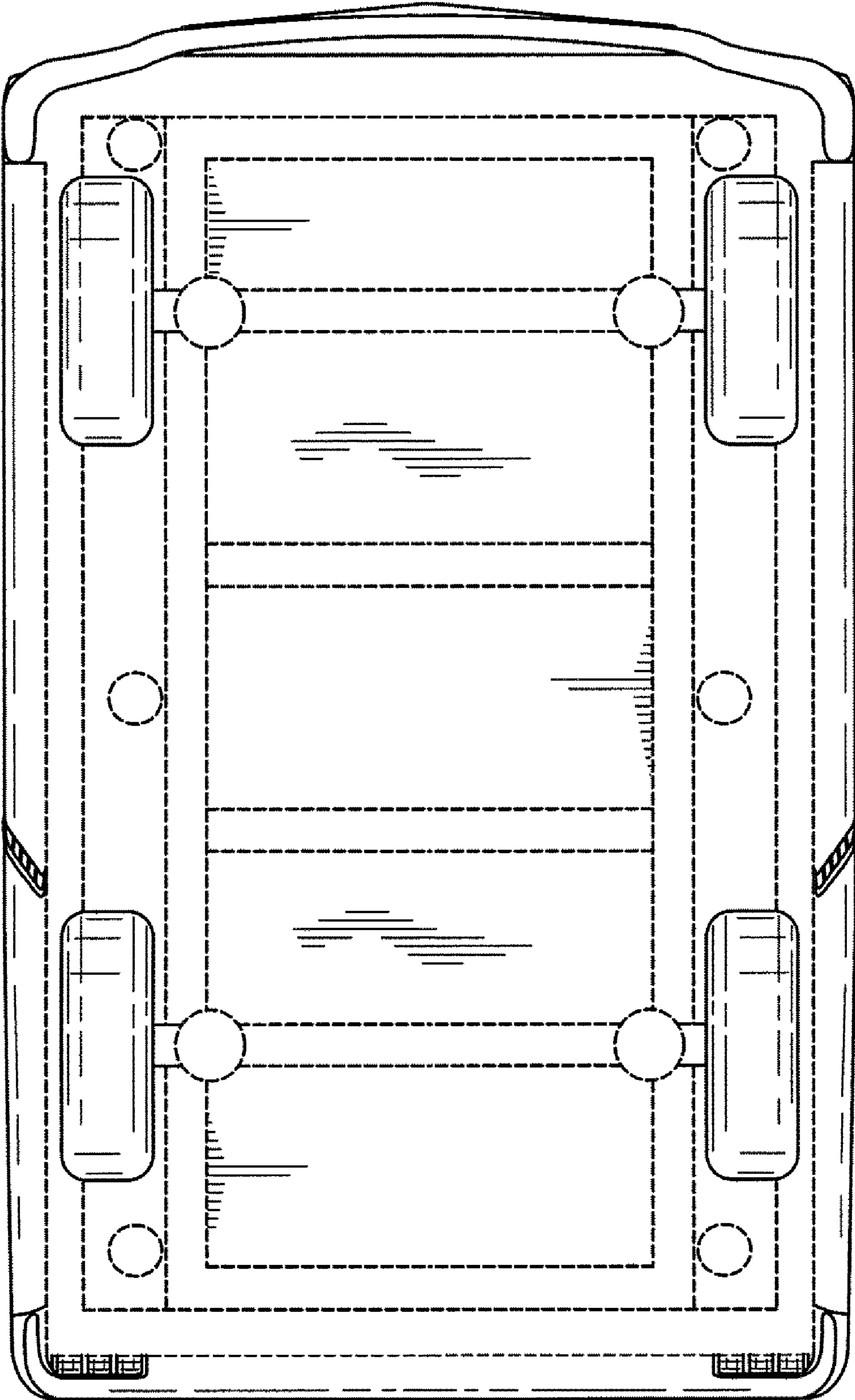


FIG. 7

UNITED STATES PATENT AND TRADEMARK OFFICE  
**CERTIFICATE OF CORRECTION**

PATENT NO. : D643,900 S  
APPLICATION NO. : 29/345826  
DATED : August 23, 2011  
INVENTOR(S) : Mallah

Page 1 of 1

It is certified that error appears in the above-identified patent and that said Letters Patent is hereby corrected as shown below:

On Title Page

Delete Item “(12) Utegaard” and insert Item --(12) Mallah--

Delete Item “(75)” and insert Item --(75) Inventor: Benjamin Mallah, Largo, FL (US)--

Signed and Sealed this  
Fourteenth Day of February, 2012

A handwritten signature in black ink that reads "David J. Kappos". The signature is written in a cursive style with a large initial 'D' and 'K'.

David J. Kappos  
*Director of the United States Patent and Trademark Office*