

US00D643894S

(12) **United States Design Patent**
Price et al.

(10) **Patent No.:** **US D643,894 S**
(45) **Date of Patent:** **** Aug. 23, 2011**

(54) **PUTTER HEAD**

(75) Inventors: **Bill Price**, Santa Ana, CA (US); **Paul M. Demkowski**, San Diego, CA (US); **Bret H. Wahl**, Escondido, CA (US); **Sean Toulon**, Vista, CA (US)

(73) Assignee: **Taylor Made Golf Company, Inc.**, Carlsbad, CA (US)

(**) Term: **14 Years**

(21) Appl. No.: **29/378,759**

(22) Filed: **Nov. 9, 2010**

(51) **LOC (9) Cl.** **21-02**

(52) **U.S. Cl.** **D21/744**

(58) **Field of Classification Search** D21/736-746;
473/324-331, 340-341, 251-256

See application file for complete search history.

(56) **References Cited**

U.S. PATENT DOCUMENTS

1,660,126	A	2/1928	Heeter	
D97,418	S	11/1935	Smith	
2,534,947	A	12/1950	Bright	
2,865,635	A	12/1958	Jessen	
D220,274	S *	3/1971	Rango	D21/739
3,708,172	A *	1/1973	Rango	473/249
3,749,408	A	7/1973	Mills	
3,909,005	A	9/1975	Piszel	
D268,691	S *	4/1983	Collins	D21/739
4,753,440	A	6/1988	Chorne	
5,242,344	A	9/1993	Hundley	
D352,758	S *	11/1994	Tate	D21/793
5,529,299	A *	6/1996	Bellagamba	473/285
D378,392	S *	3/1997	Shumway	D21/743
D378,844	S *	4/1997	Shine	D21/739
D380,030	S *	6/1997	Altman	D21/739
D384,120	S	9/1997	De La Cruz et al.	

(Continued)

FOREIGN PATENT DOCUMENTS

JP 2001095956 4/2001

(Continued)

OTHER PUBLICATIONS

Globalgolf, "Taylor Made Rossa Corza Ghost Putter Golf Club," downloaded from http://www.globalgolf.com/product/golfclub/-/sku--1017311-aac/putter/taylor-made/rossa-corza-ghost.aspx?gd=1&utm_source=bingshopping&utm_medium=feed&utm_term=Taylor%20Made-Rossa%20Corza%20Ghost&utm_campaign=bingshopping, 1 p. (document not dated, downloaded on Feb. 3, 2011).

(Continued)

Primary Examiner — Mitchell Siegel

(74) *Attorney, Agent, or Firm* — Klarquist Sparkman, LLP

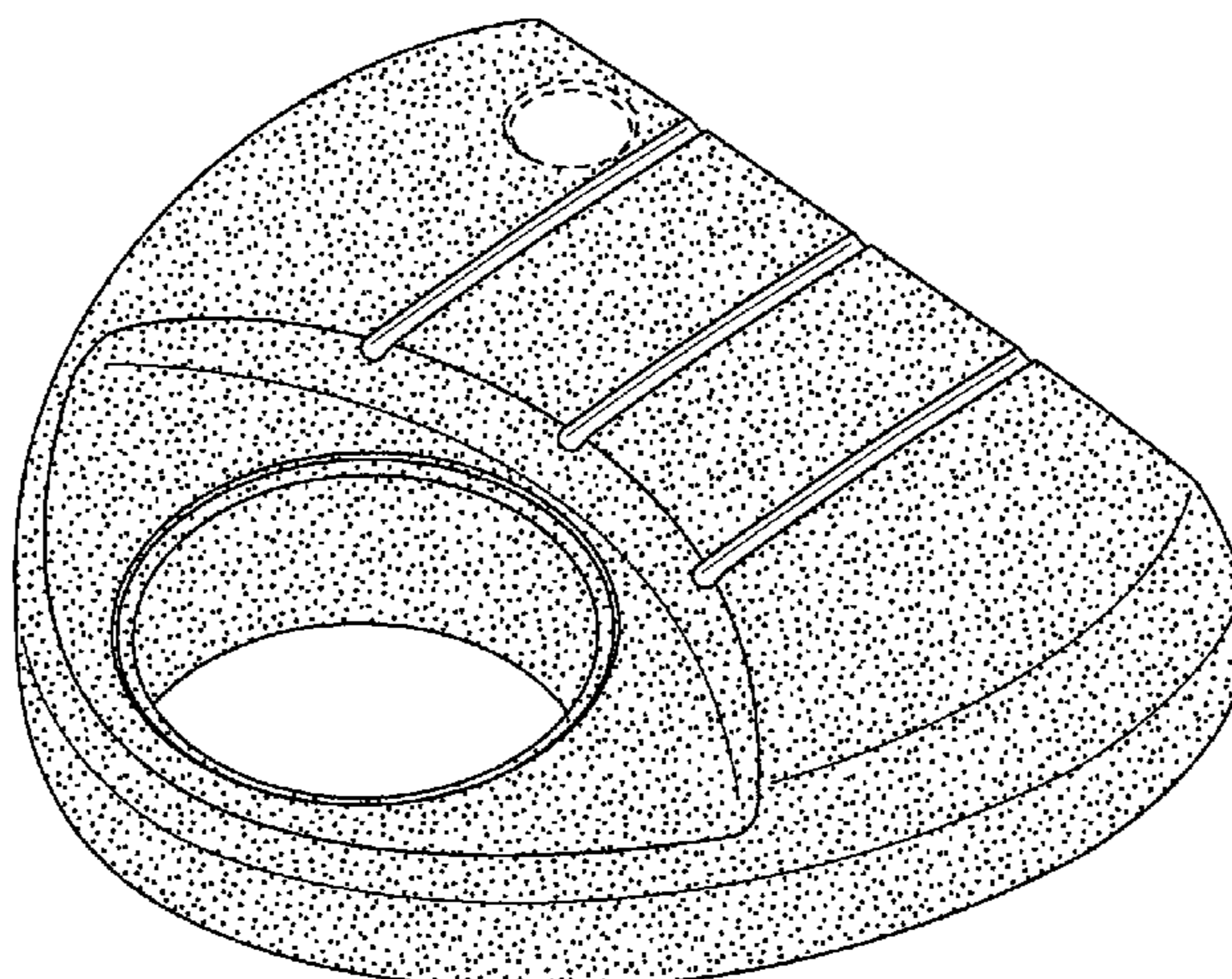
(57) **CLAIM**

I claim the ornamental design for a putter head, as shown and described.

DESCRIPTION

FIG. 1 is a perspective view of a putter head, as viewed from the rear, above and one side, according to one embodiment. FIG. 2 is a front elevation view of the putter head of FIG. 1. FIG. 3 is a rear elevation view of the putter head of FIG. 1. FIG. 4 is a side elevation view of the toe of the putter head of FIG. 1. FIG. 5 is a side elevation view of the heel of the putter head of FIG. 1. FIG. 6 is a top plan view of the putter head of FIG. 1; and, FIG. 7 is a bottom plan view of the putter head of FIG. 1. The dashed lines in the drawings are for illustrative purpose only and form no part of the claimed design. The drawings are lined for the color white.

1 Claim, 4 Drawing Sheets



US D643,894 S

Page 2

U.S. PATENT DOCUMENTS

D388,853 S * 1/1998 Minami D21/745
D389,885 S 1/1998 Mahaffey et al.
5,769,740 A * 6/1998 Colangelo 473/408
D402,724 S * 12/1998 Minami D21/743
6,024,650 A 2/2000 Reeves
D422,664 S * 4/2000 Tate D21/793
D424,145 S * 5/2000 Minami D21/744
D453,365 S 2/2002 Carr et al.
6,425,831 B1 7/2002 Heene et al.
D461,513 S 8/2002 Madore et al.
D461,862 S 8/2002 Madore et al.
6,471,600 B2 10/2002 Tang et al.
D466,173 S 11/2002 Sizemore, Jr.
6,506,125 B2 1/2003 Helmstetter et al.
D478,948 S 8/2003 Bergling-Olson
D485,880 S * 1/2004 Madore et al. D21/759
6,676,535 B2 1/2004 Sheets et al.
D490,487 S 5/2004 Burrows
D503,762 S 4/2005 Wood
D518,864 S * 4/2006 Bradshaw D21/793
7,022,030 B2 4/2006 Best et al.
D527,064 S 8/2006 Breier et al.
7,172,519 B2 2/2007 Byrne et al.
D537,895 S 3/2007 Breier et al.
D553,210 S 10/2007 Harvell et al.
D553,211 S 10/2007 Harvell et al.
7,344,451 B2 3/2008 Tang et al.
D568,427 S * 5/2008 Nguyen et al. D21/743
D572,325 S * 7/2008 Baer D21/746
D577,405 S 9/2008 Oldknow et al.
D583,431 S * 12/2008 Madore et al. D21/736
7,481,715 B2 1/2009 Byrne
7,491,135 B1 2/2009 Rollinson
D591,812 S 5/2009 Breier et al.
D596,691 S * 7/2009 Heap D21/793

7,588,499 B2 9/2009 Tateno
D607,952 S * 1/2010 Demkowski et al. D21/743
D618,294 S 6/2010 Morris et al.
D631,928 S * 2/2011 Piatkowski D21/793
2005/0130755 A1 6/2005 Lindsay
2008/0076598 A1 3/2008 Lin
2009/0017933 A1 1/2009 Stites et al.
2009/0017934 A1 1/2009 Stites et al.
2009/0215547 A1 8/2009 Hegarty
2009/0314398 A1 12/2009 Shaar, Jr.

FOREIGN PATENT DOCUMENTS

JP 2004209021 7/2004
JP 3148964 U 3/2009

OTHER PUBLICATIONS

Tour Stop, "TaylorMade Putter Daytona #1 Ghost Right Hand,"
http://www.tourstop.com/istar.asp?a=6&id=DAYTONAGHOST1RH%2116432&utm_source=VersaFeed&utm_medium=VersaFeed_bing&utm_content=TaylorMade+Putter+Daytona+1+Ghost+Right+Hand+White+35_inches&utm_campaign=cashback&v_traceback=c0118_2321_f0128_1833,
1p. (document not dated, downloaded on Feb. 3, 2011).
Cobragolf, "Limited Edition ZL Driver," <http://www.cobragolf.com/golf-clubs/Cobra-White-ZL-Driver>, 3pp. (document not dated, downloaded on Feb. 3, 2011).
About.com Golf, "Cobra Offers All-White ZL Driver—But Only 500 of Them," <http://golf.about.com/b/2010/11/05/cobra-offers-all-white-zl-driver-but-only-500-of-them.htm>, 1p. (document marked Nov. 5, 2010, downloaded on Feb. 3, 2011).

* cited by examiner

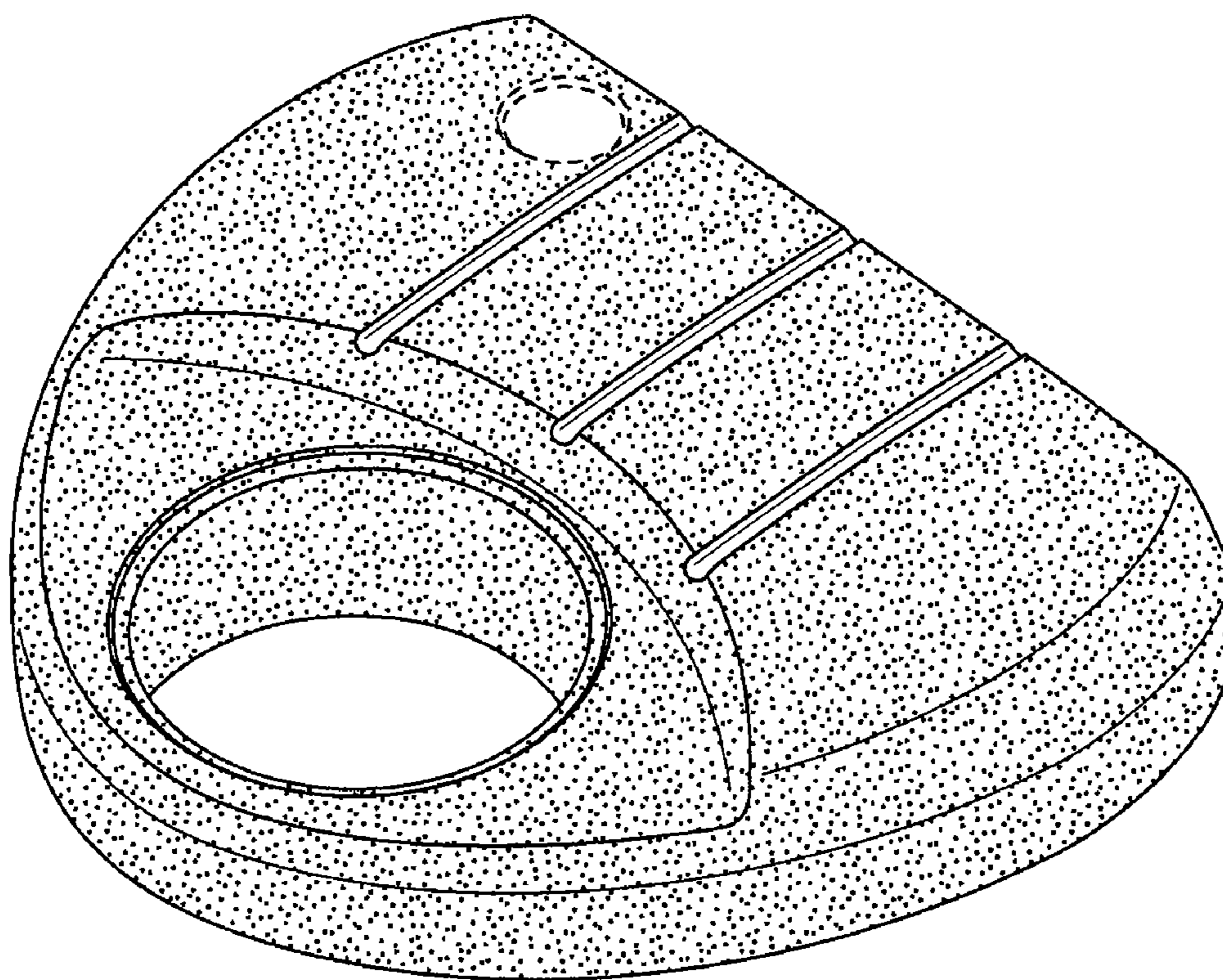


FIG. 1

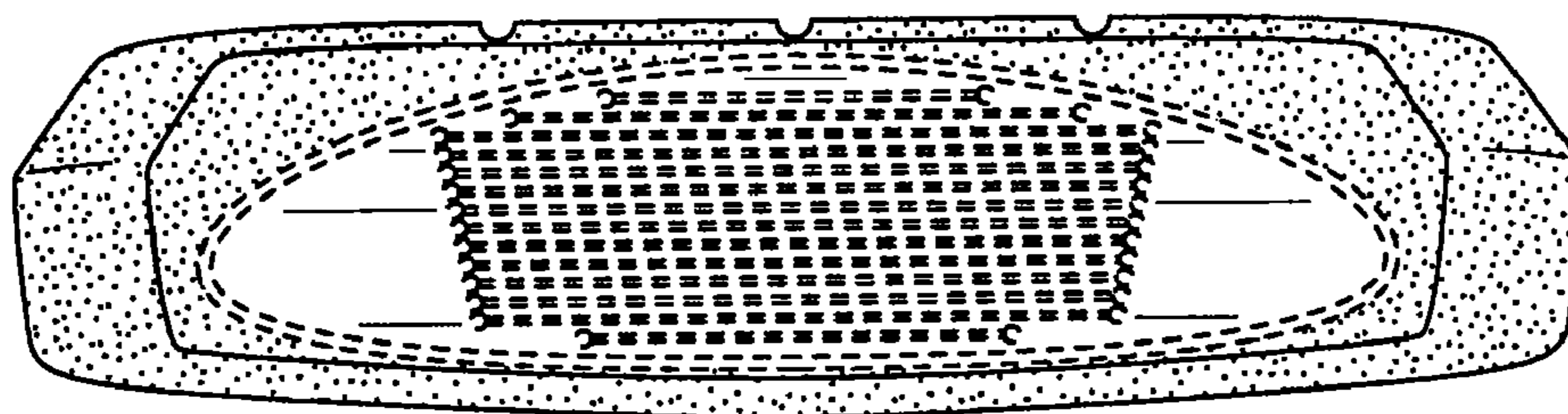


FIG. 2

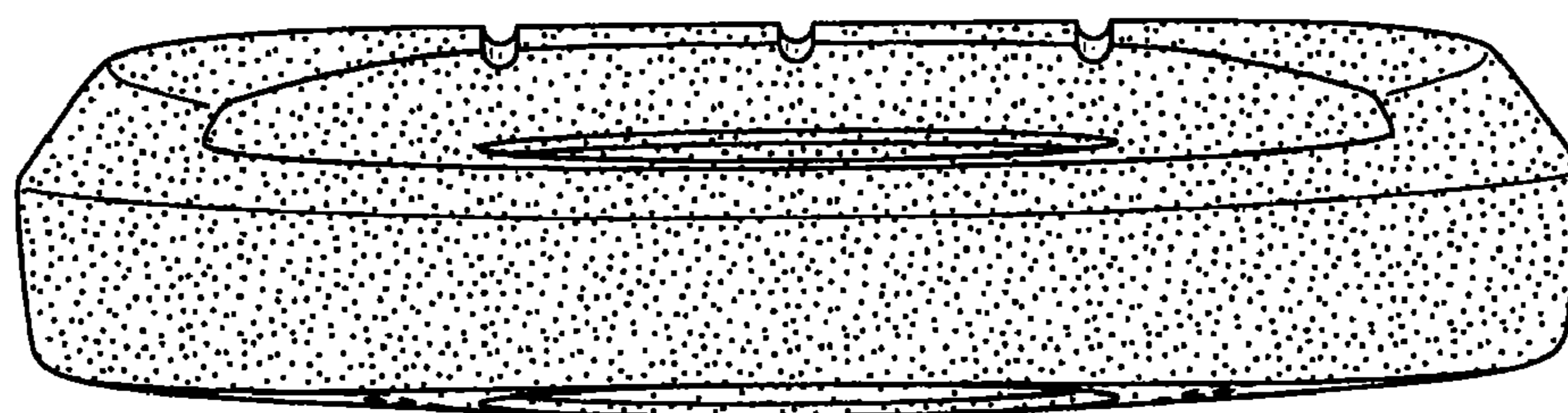


FIG. 3

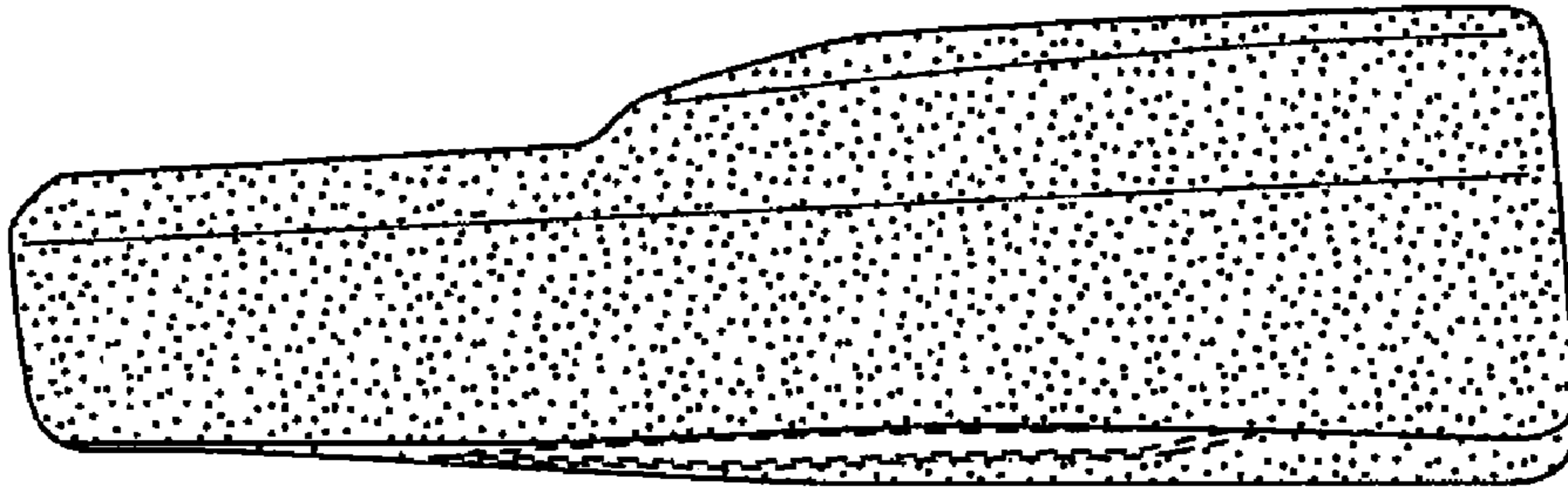


FIG. 4

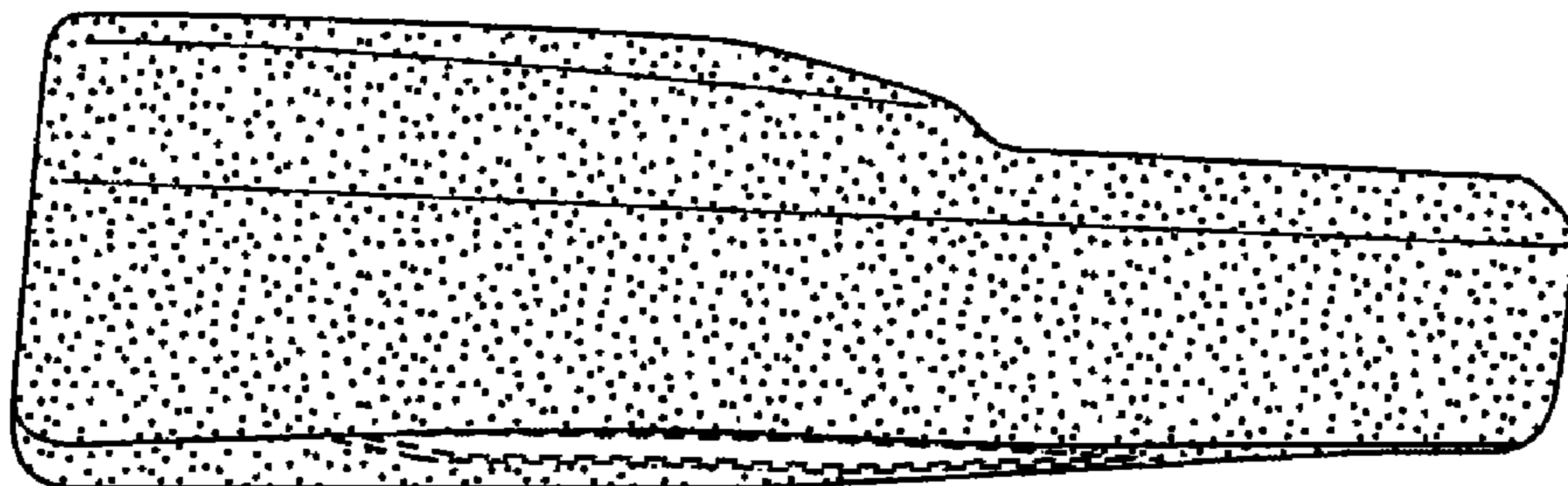


FIG. 5

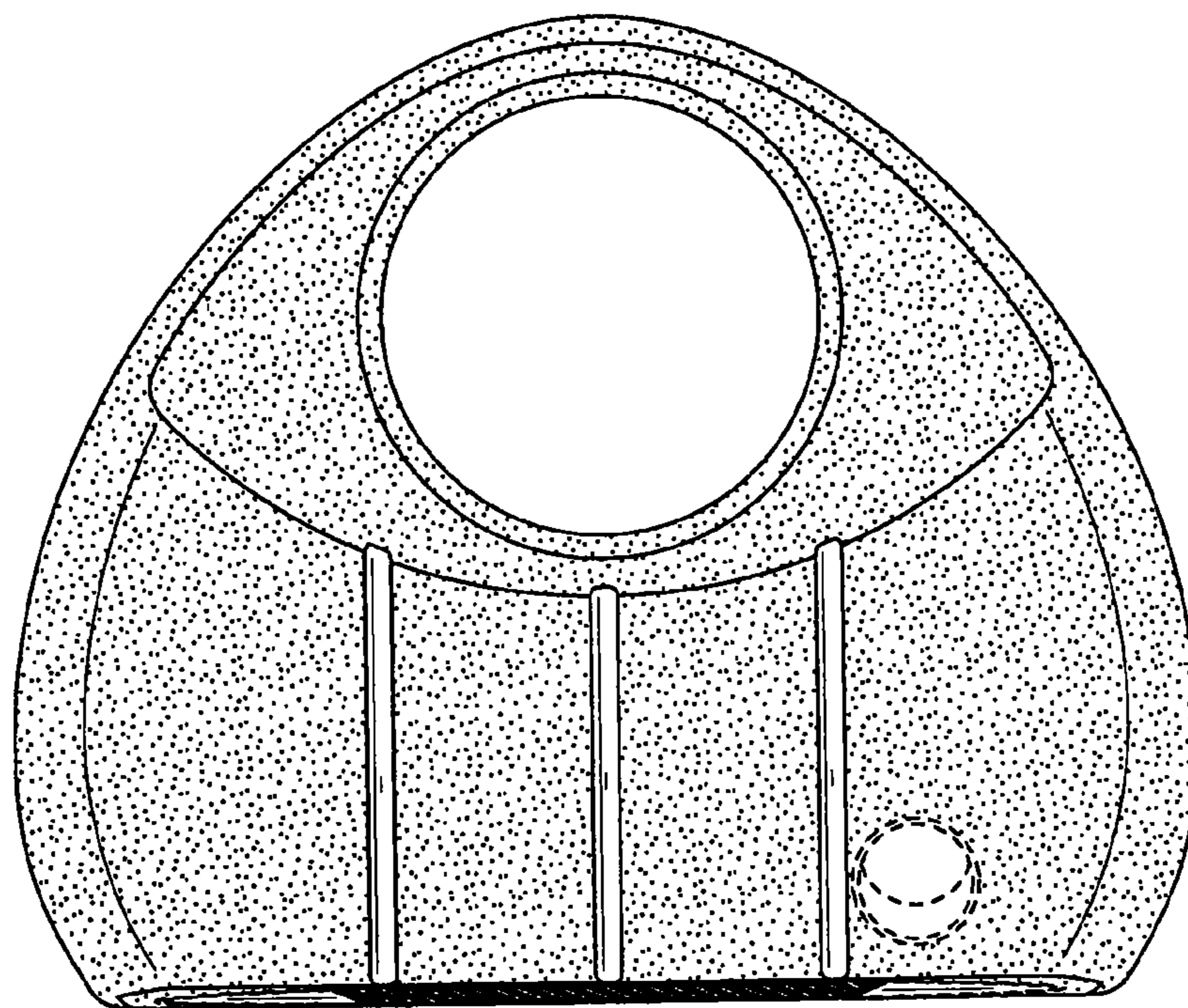


FIG. 6

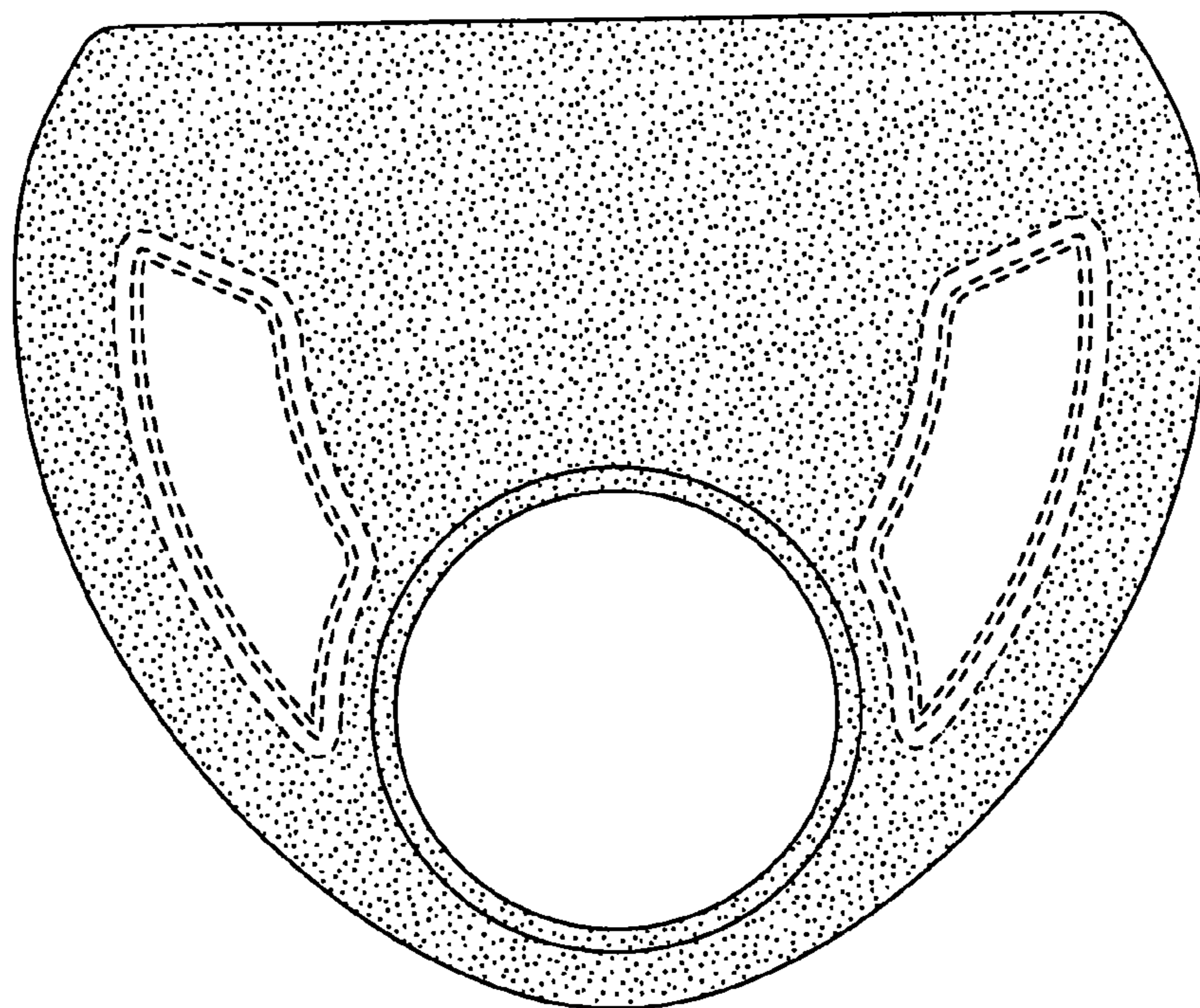


FIG. 7