



US00D643887S

(12) **United States Design Patent**
Keiser

(10) **Patent No.:** **US D643,887 S**

(45) **Date of Patent:** **** Aug. 23, 2011**

(54) **EXERCISE BIKE**

(75) Inventor: **Dennis L. Keiser**, Sanger, CA (US)

(73) Assignee: **Keiser Corporation**, Fresno, CA (US)

(**) Term: **14 Years**

(21) Appl. No.: **29/376,203**

(22) Filed: **Oct. 4, 2010**

Related U.S. Application Data

(63) Continuation of application No. 11/584,283, filed on Oct. 20, 2006.

(51) **LOC (9) Cl.** **21-02**

(52) **U.S. Cl.** **D21/694; D21/667**

(58) **Field of Classification Search** D21/662,
D21/663-669, 694, 697; 482/51, 53, 57,
482/58, 60, 62-65, 130, 146; D12/111
See application file for complete search history.

(56) **References Cited**

U.S. PATENT DOCUMENTS

D126,371 S *	4/1941	Schnack	D12/108
D141,926 S *	7/1945	Sly	D12/111
D150,765 S *	8/1948	Harmann et al.	D12/111
2,468,933 A *	5/1949	Jones	280/7.15
D224,329 S *	7/1972	Hjelmquist	D21/663
4,071,235 A *	1/1978	Zent	482/62
4,464,834 A *	8/1984	Simms	29/854
D280,226 S	8/1985	Kasuba et al.		
D281,711 S	12/1985	Hiivola		
D291,462 S	8/1987	Aalto		
D296,457 S	6/1988	Anitua		
D299,732 S	2/1989	Gustafsson		
5,004,443 A *	4/1991	Su	446/392
D354,887 S *	1/1995	Hawkins	D7/694
D372,284 S	7/1996	Wang et al.		

D379,164 S *	5/1997	Yelverton	D12/111
D380,796 S	7/1997	Wang et al.		
D382,925 S	8/1997	Wu		
5,712,767 A *	1/1998	Koizumi	361/761
5,961,424 A	10/1999	Warner et al.		
D430,240 S	8/2000	Chang		
D460,794 S	7/2002	Baker		
D473,602 S	4/2003	Baudhuin et al.		
6,569,063 B2 *	5/2003	Chen	482/63
6,612,970 B2	9/2003	Forcillo		
6,669,603 B1	12/2003	Forcillo		
7,172,532 B2	2/2007	Baker		
7,175,570 B2	2/2007	Lull et al.		
D586,409 S	2/2009	Keiser		
D596,680 S	7/2009	Keiser		
D625,762 S *	10/2010	Fon	D21/667
2006/0234840 A1	10/2006	Watson et al.		
2007/0173381 A1 *	7/2007	Chen et al.	482/57
2008/0020908 A1 *	1/2008	Ibarguren	482/57
2010/0179030 A1 *	7/2010	Liao Lai	482/63

* cited by examiner

Primary Examiner — Susan E Krakower

(74) *Attorney, Agent, or Firm* — Knobbe, Martens, Olson & Bear LLP

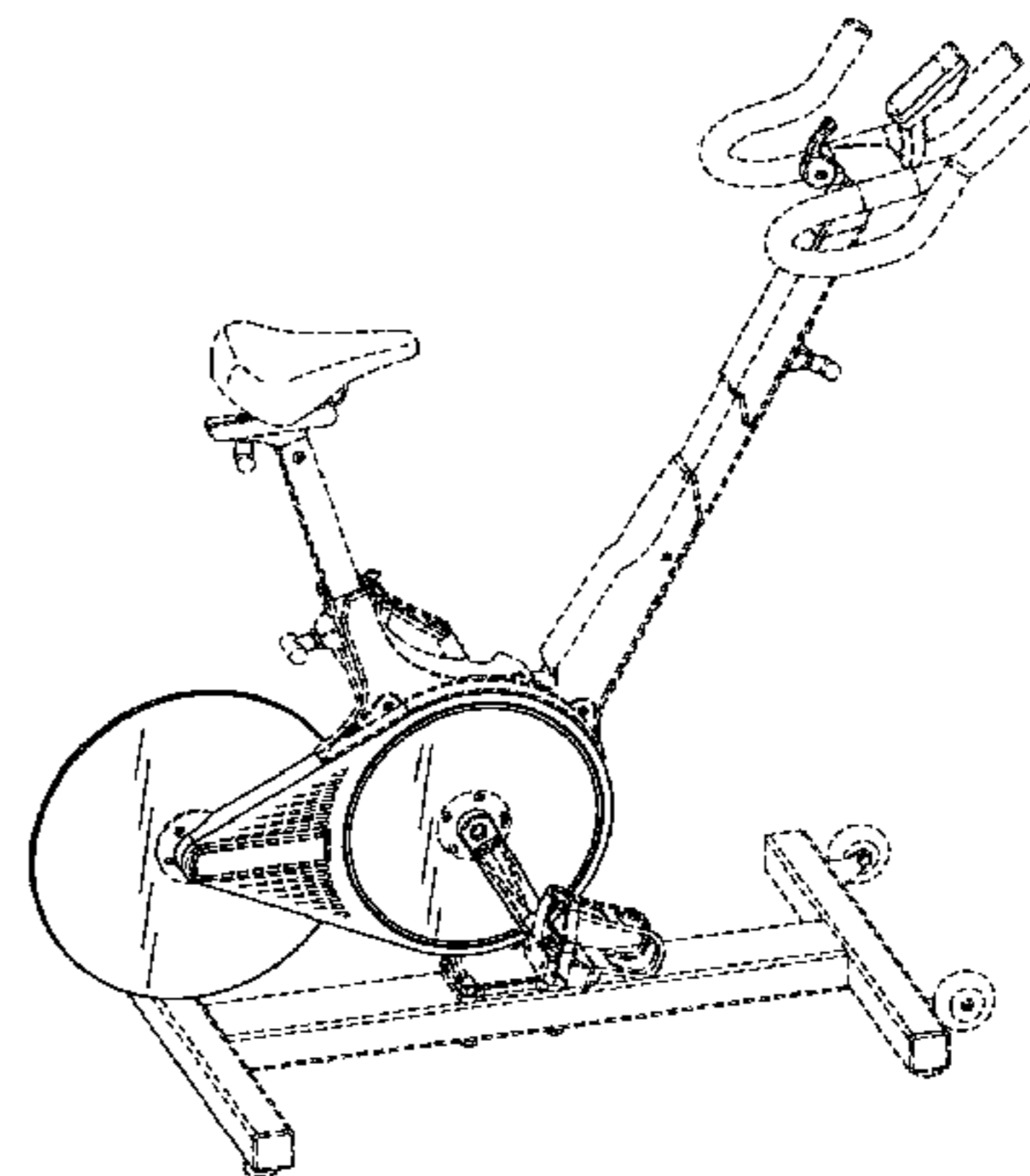
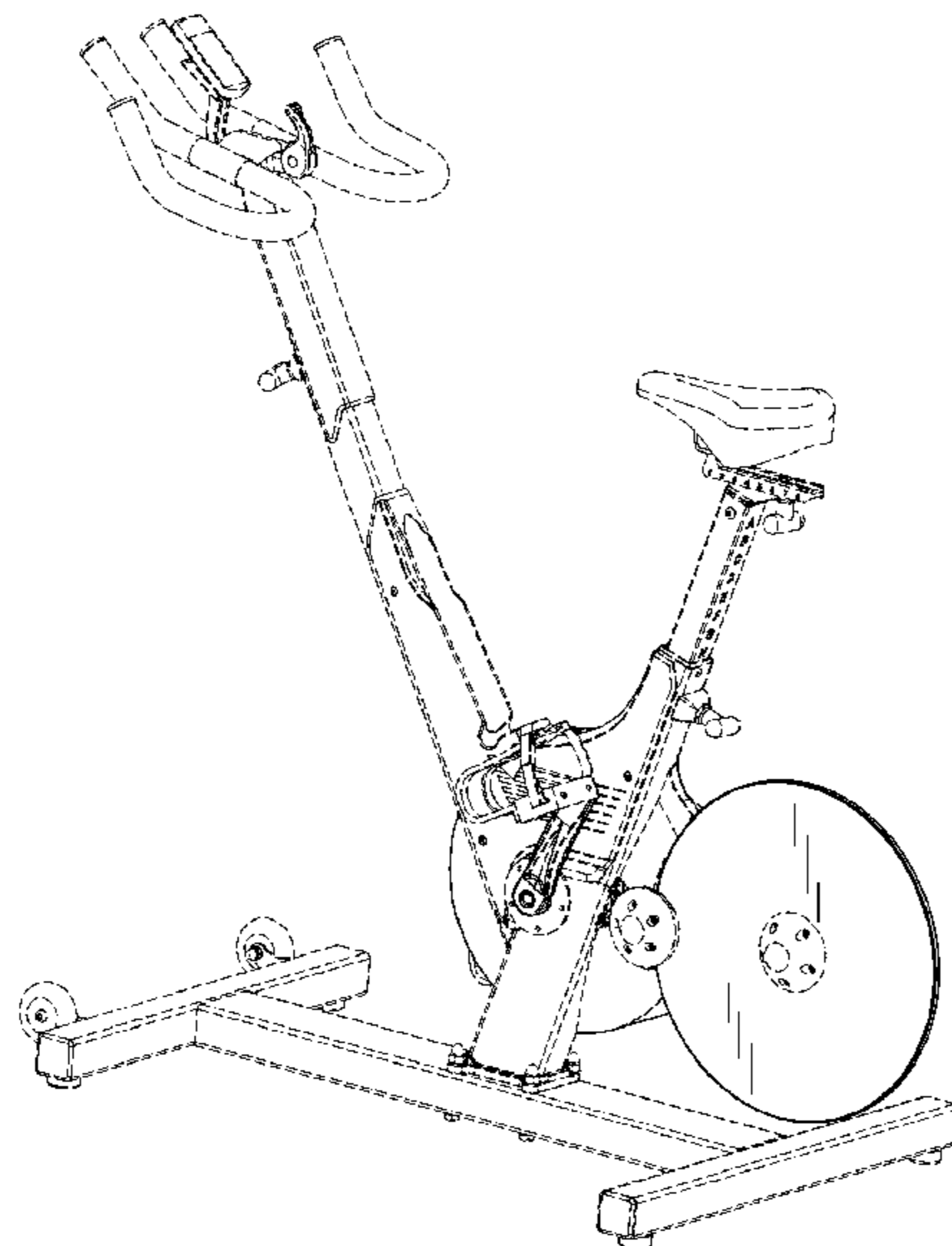
(57) **CLAIM**

The ornamental design for an exercise bike, as shown and described.

DESCRIPTION

FIG. 1 is a rear perspective view of an exercise bike in accordance with the present invention;
FIG. 2 is a left side elevational view thereof;
FIG. 3 is a right side elevational view thereof; and,
FIG. 4 is an opposite rear perspective view thereof.
The broken lines illustrate portions of the exercise bike which form no part of the claimed design.

1 Claim, 4 Drawing Sheets



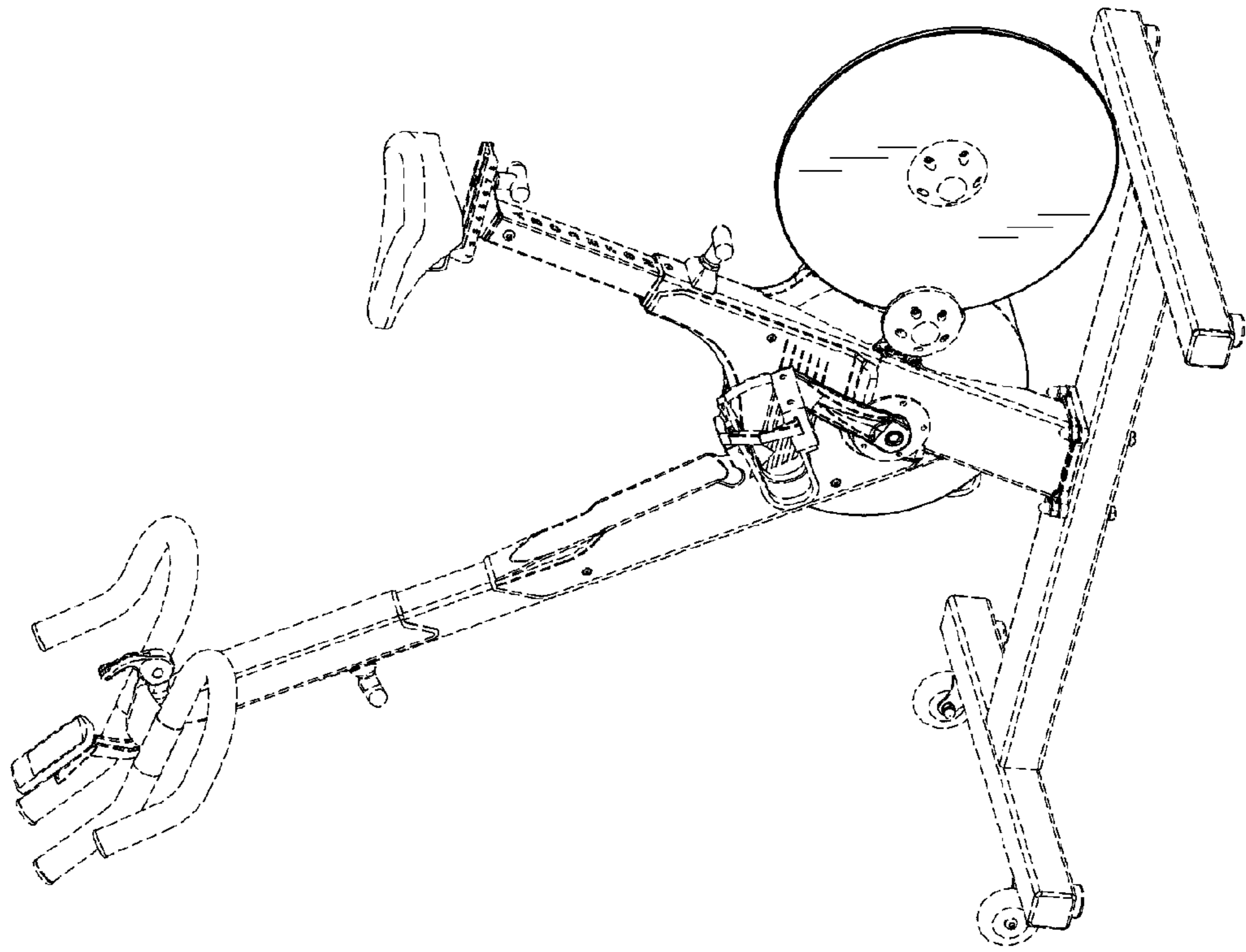


FIG. 1

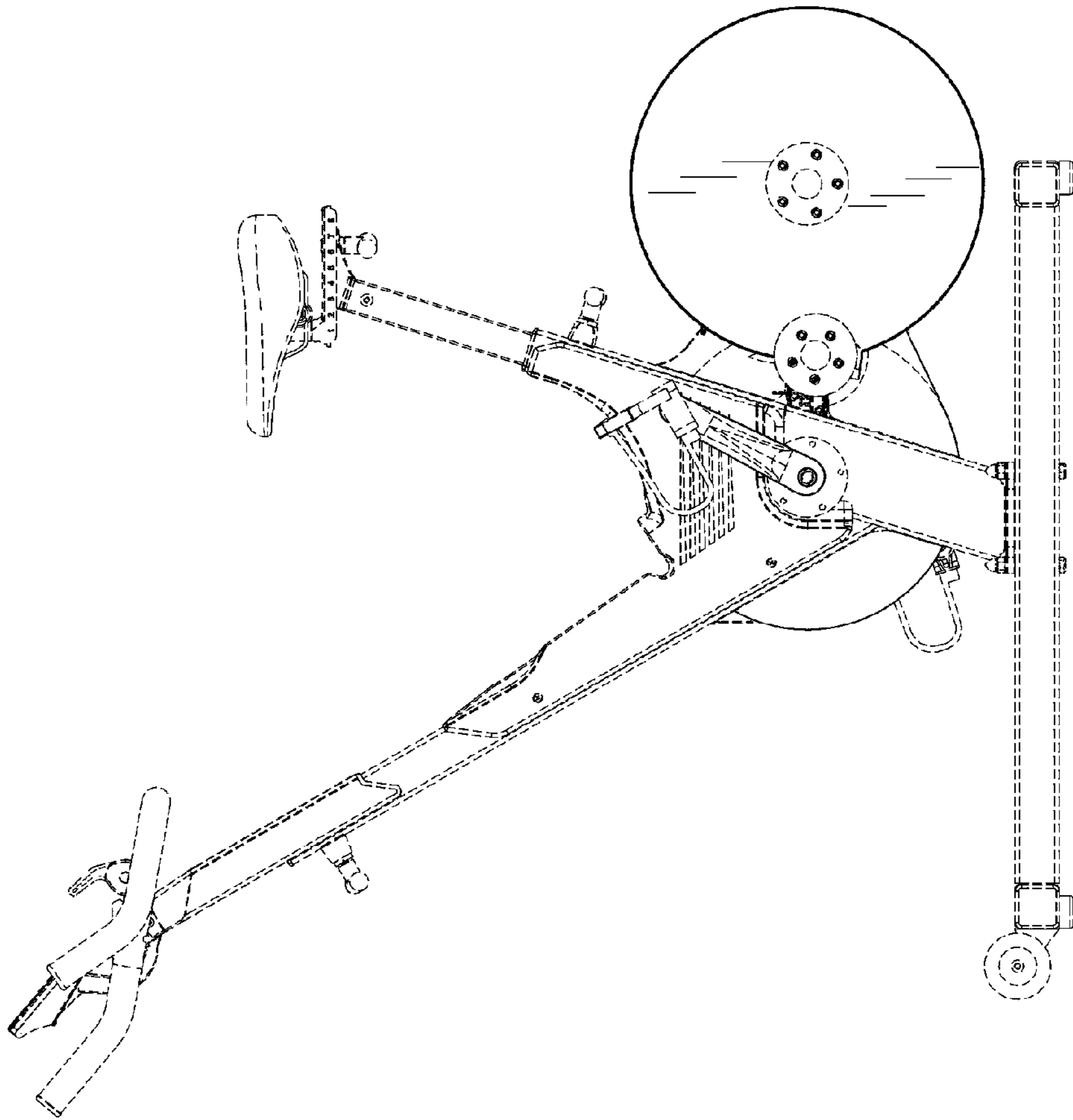


FIG. 2

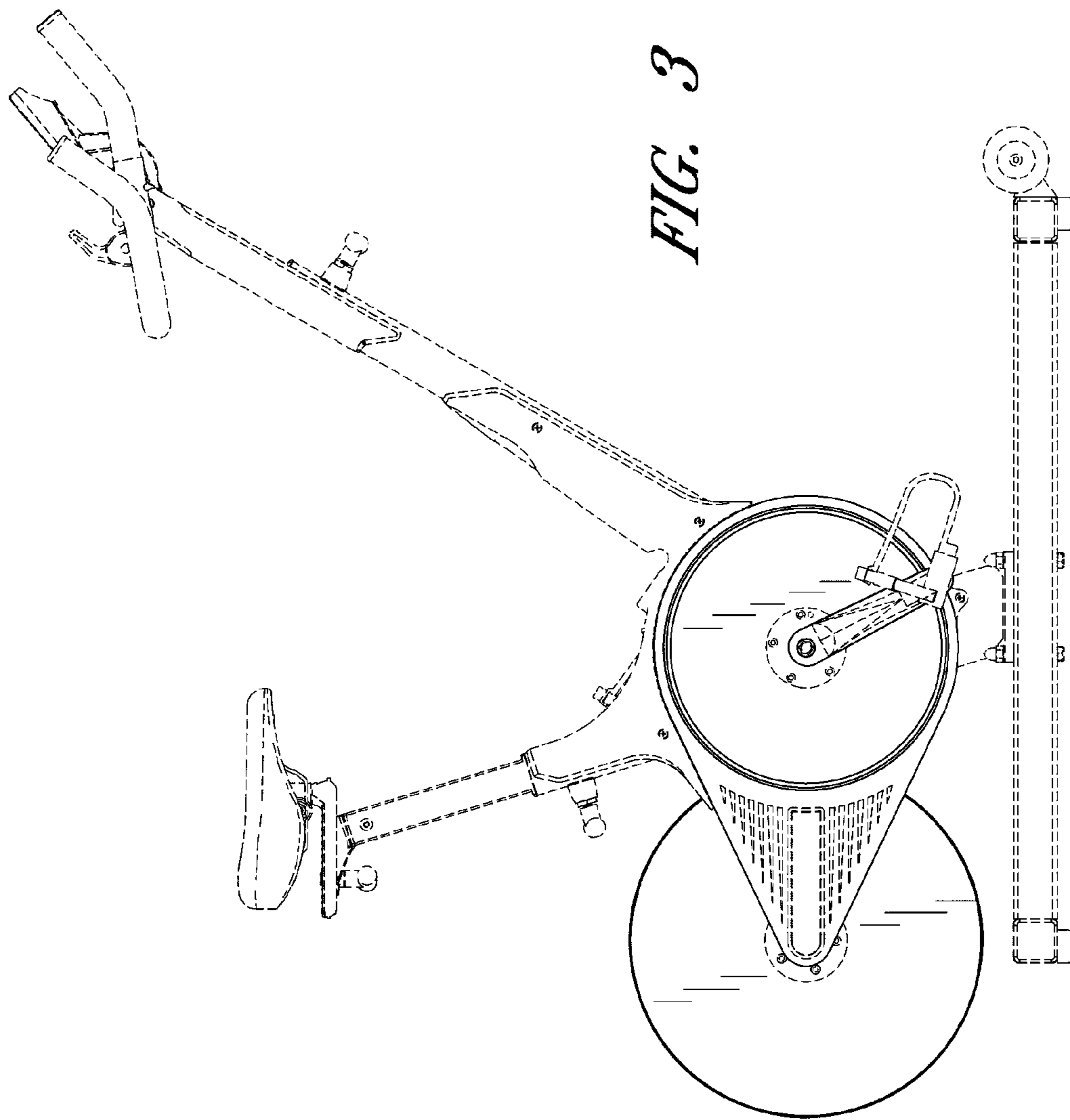


FIG. 4

