

US00D643886S

(12) **United States Design Patent**
Kassel

(10) **Patent No.:** **US D643,886 S**

(45) **Date of Patent:** **** *Aug. 23, 2011**

(54) **EXERCISE AND FITNESS DEVICE**

(75) Inventor: **Blake Kassel**, Boca Raton, FL (US)

(73) Assignee: **Body lastics Int., Inc.**, Boca Raton, FL (US)

(*) Notice: This patent is subject to a terminal disclaimer.

(**) Term: **14 Years**

(21) Appl. No.: **29/370,281**

(22) Filed: **Jun. 25, 2010**

(51) **LOC (9) Cl.** **21-02**

(52) **U.S. Cl.** **D21/662**

(58) **Field of Classification Search** D21/662,
D21/672, 694; D8/333, 349, 356, 367; D2/624,
D2/627; D29/100, 101.1; 482/121–122,
482/126; 248/229.1, 339–340, 345, 694;
182/3, 5, 6; 24/3.4, 136 R, 298, 300–302,
24/599.1, 599.9, 601.5

See application file for complete search history.

(56) **References Cited**

U.S. PATENT DOCUMENTS

| | | | | | |
|-----------|-----|---------|-------------------|-------|----------|
| 421,328 | A * | 2/1890 | Strohbach | | 24/136 R |
| 482,813 | A * | 9/1892 | Schwarz | | 182/193 |
| 874,647 | A * | 12/1907 | Wlatnigg | | 24/599.1 |
| 2,097,376 | A * | 10/1937 | Marshman | | 482/124 |
| 2,246,630 | A * | 6/1941 | Johnson | | 294/19.1 |
| 3,170,206 | A * | 2/1965 | Triplett | | 24/298 |
| 3,877,679 | A * | 4/1975 | Lowe | | 248/694 |
| 3,962,575 | A * | 6/1976 | Vandenberg et al. | | 248/340 |
| 3,965,542 | A * | 6/1976 | Gregory | | 24/136 R |

| | | | | | |
|--------------|------|---------|---------------|-------|-----------|
| D272,518 | S * | 2/1984 | Smith | | D8/382 |
| D310,017 | S * | 8/1990 | Matthews | | D8/356 |
| D424,638 | S * | 5/2000 | Urso | | D21/662 |
| D468,997 | S * | 1/2003 | Chang | | D8/356 |
| D488,710 | S * | 4/2004 | Holton | | D8/367 |
| 6,971,615 | B1 * | 12/2005 | Diggle et al. | | 248/229.1 |
| D516,541 | S * | 3/2006 | Bhavnani | | D14/192 |
| 7,093,329 | B1 * | 8/2006 | Chiu | | 24/301 |
| D573,875 | S * | 7/2008 | Anderson | | D8/367 |
| D580,257 | S * | 11/2008 | Squyres | | D8/349 |
| 7,562,856 | B2 * | 7/2009 | Arakawa | | 248/339 |
| 7,785,243 | B2 * | 8/2010 | Kassel | | 482/122 |
| 7,819,787 | B2 * | 10/2010 | Kassel | | 482/122 |
| 2008/0060872 | A1 * | 3/2008 | Wise | | 182/3 |

* cited by examiner

Primary Examiner — Susan E Krakower

(74) Attorney, Agent, or Firm — Dan M. DeLaRosa

(57) **CLAIM**

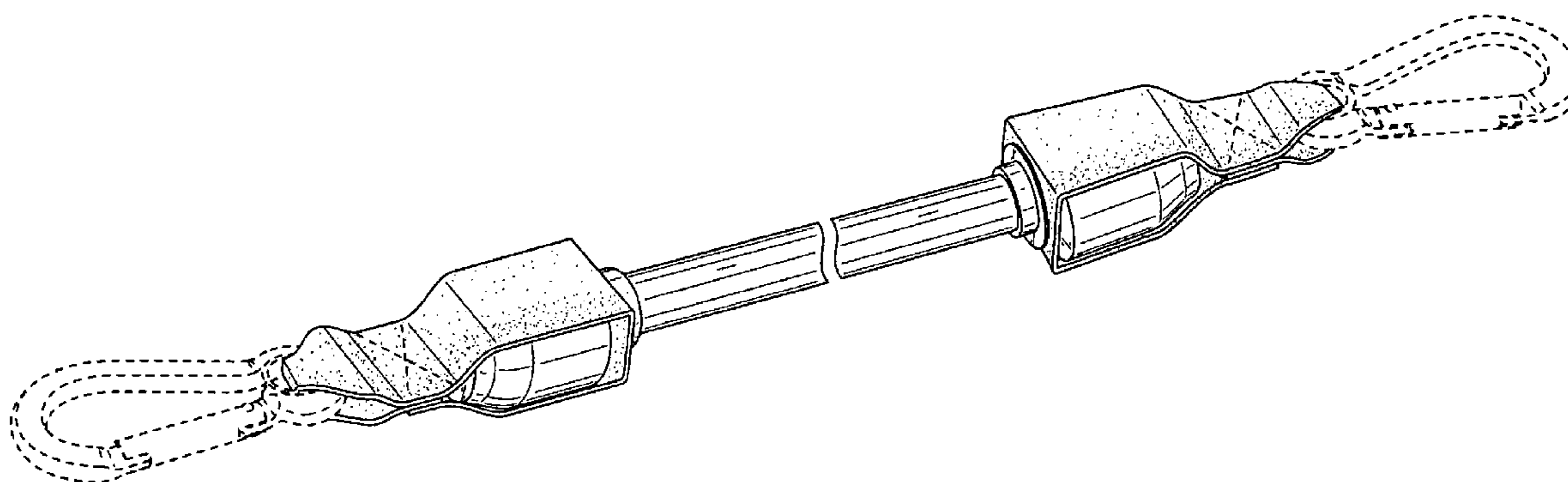
The ornamental design for an exercise and fitness device, as shown and described.

DESCRIPTION

FIG. 1 is a front perspective view of the exercise and fitness device of the present invention showing my new design; FIG. 2 is a front elevational view thereof; FIG. 3 is a back elevational view thereof; FIG. 4 is a side elevational view thereof; FIG. 5 is an opposite side elevational view thereof; FIG. 6 is a top plan view thereof; and, FIG. 7 is a bottom plan view thereof.

The broken lines showing the carabiner and the stitching on the straps illustrate portions of the exercise and fitness device which form no part of the claimed design.

1 Claim, 4 Drawing Sheets



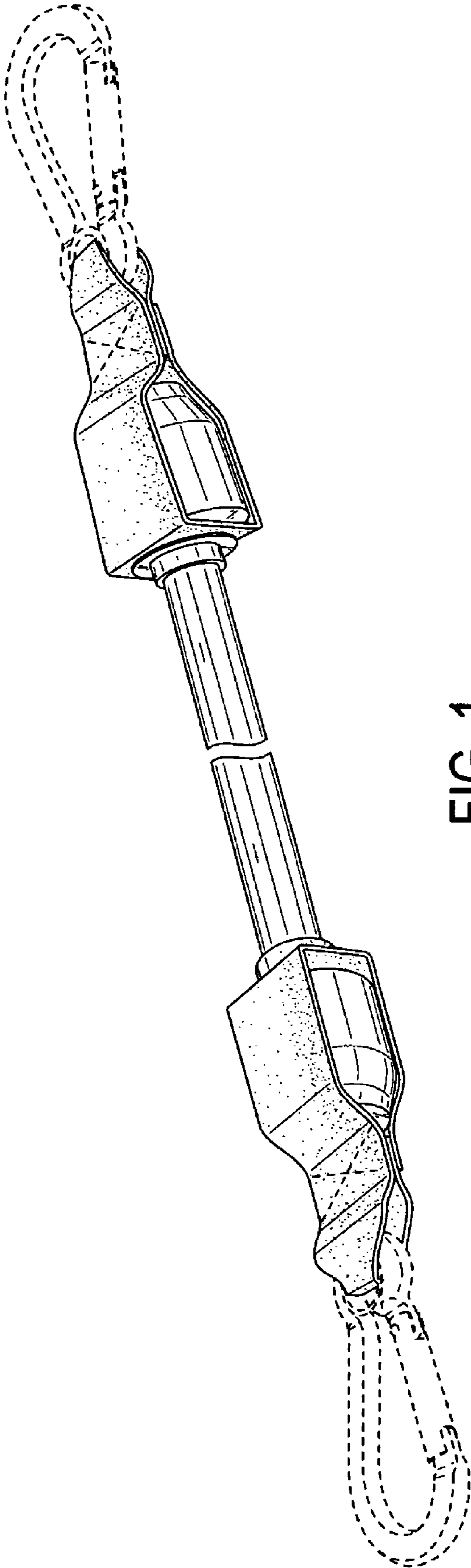


FIG. 1

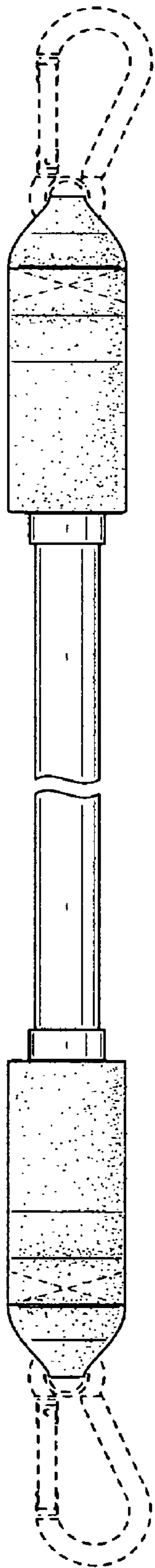


FIG. 2

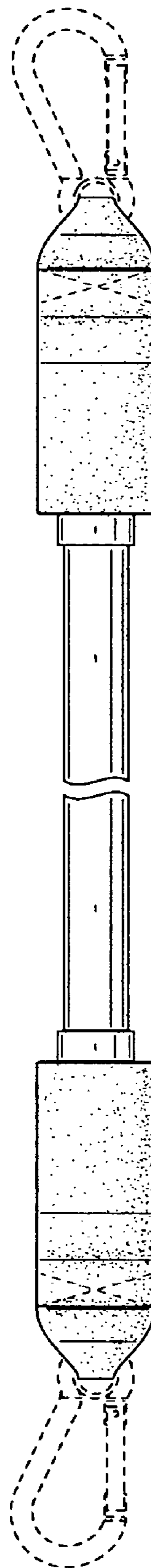


FIG. 3

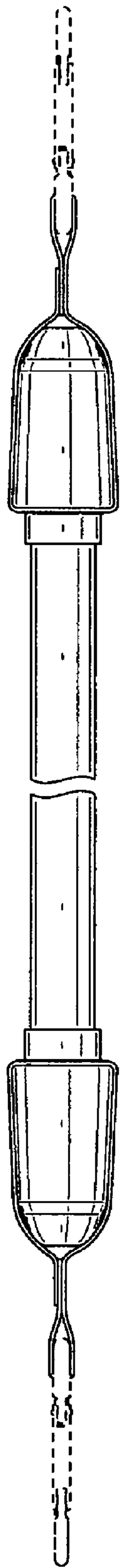


FIG. 4

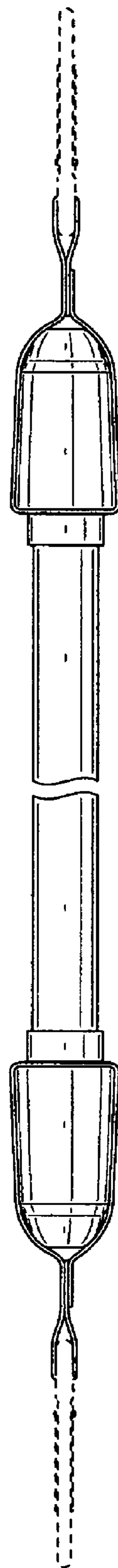


FIG. 5

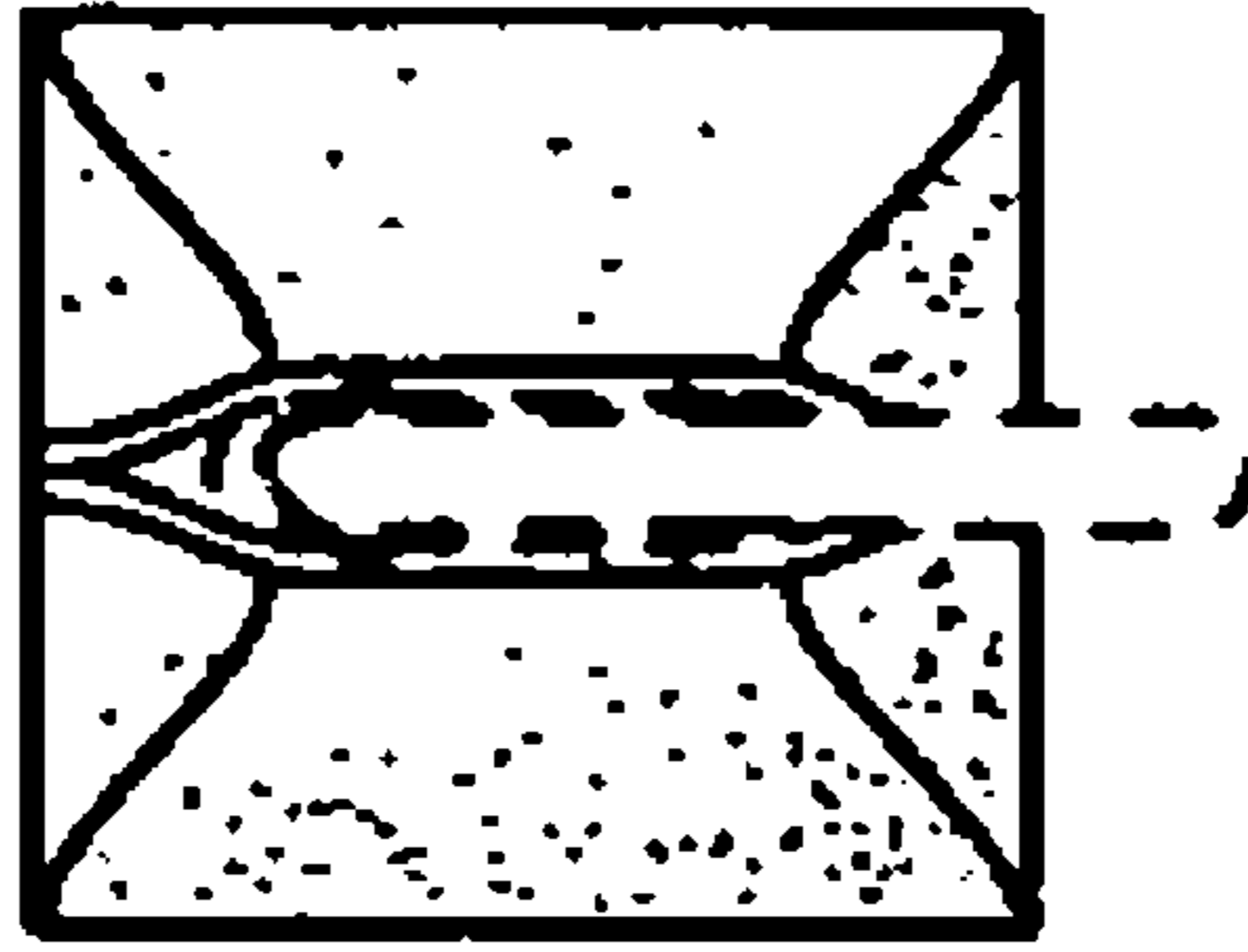


FIG. 6

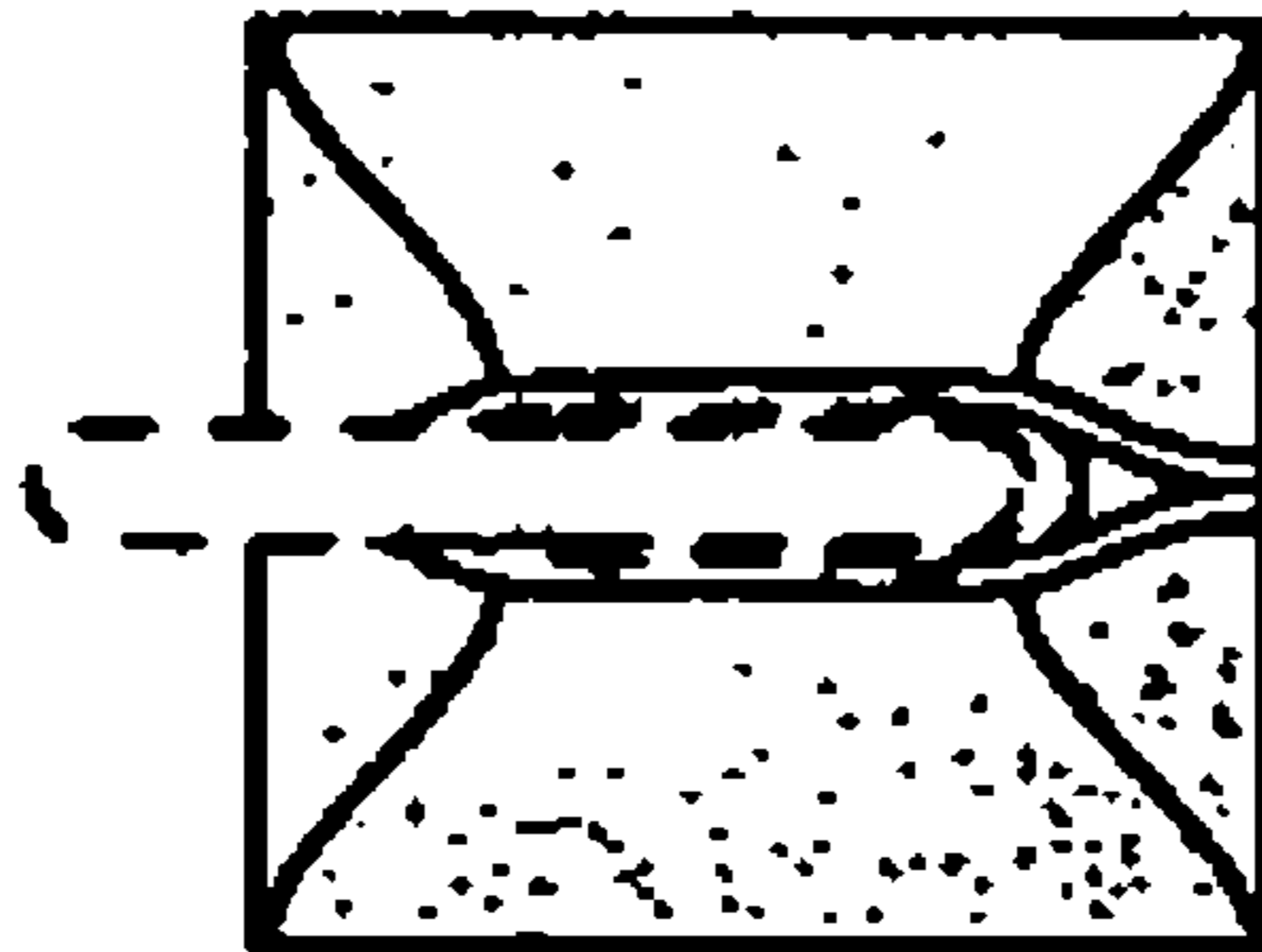


FIG. 7