



US00D643884S

(12) **United States Design Patent**
Alvarez

(10) **Patent No.:** **US D643,884 S**

(45) **Date of Patent:** **** Aug. 23, 2011**

(54) **CONTROLLER**

(75) **Inventor:** **Richard C. Alvarez**, Westminster, CO (US)

(73) **Assignee:** **BadAss Switches, LLC**, Westminster, CO (US)

(**) **Term:** **14 Years**

(21) **Appl. No.:** **29/335,385**

(22) **Filed:** **Apr. 14, 2009**

(51) **LOC (9) Cl.** **21-01**

(52) **U.S. Cl.** **D21/566; D21/552**

(58) **Field of Classification Search** D21/324, D21/329, 333, 434, 552, 559, 560, 566; D14/400, D14/401, 454, 217, 218, 358, 155; D13/158, D13/169; D12/98; 463/6, 7, 37, 38, 39, 463/46, 47; 345/156; 446/454-456; 300/315, 300/329, 332, 335, 339, 457, 533

See application file for complete search history.

(56) **References Cited**

U.S. PATENT DOCUMENTS

2,650,964	A *	9/1953	Razdow	200/457
3,604,286	A	9/1971	Foreman	
D224,015	S *	6/1972	Norio	D13/169
D266,500	S	10/1982	Garbe	
D268,838	S *	5/1983	Ohashi	D13/169
D280,718	S	9/1985	Ohashi	
4,997,996	A	3/1991	Ohashi	
D316,987	S	5/1991	Machida et al.	
5,158,172	A *	10/1992	Roeser et al.	200/553

D442,147	S	5/2001	Tamura	
D455,372	S *	4/2002	Myles et al.	D12/98
D479,157	S	9/2003	Hayashi et al.	
6,791,047	B1	9/2004	Skarlupka et al.	
D504,356	S *	4/2005	Metros et al.	D12/98
D508,542	S *	8/2005	Golliher	D21/566
D517,399	S	3/2006	Jones	
D570,743	S	6/2008	Takagi et al.	
D571,690	S *	6/2008	Takagi et al.	D12/98
D596,142	S	7/2009	Alvarez	

* cited by examiner

Primary Examiner — Cynthia M Chin

(74) *Attorney, Agent, or Firm* — A Law Firm, P.C.

(57) **CLAIM**

The ornamental design for a controller, as shown and described.

DESCRIPTION

FIG. 1 is a perspective view of one embodiment of a controller.

FIG. 2 is a front isometric view of FIG. 1.

FIG. 3 is a rear isometric view of FIG. 1.

FIG. 4 is a right side elevational view of FIG. 1, a left side elevational view being a mirror image thereof.

FIG. 5 is a top plan view of FIG. 1.

FIG. 6 is a perspective view of another embodiment of a controller.

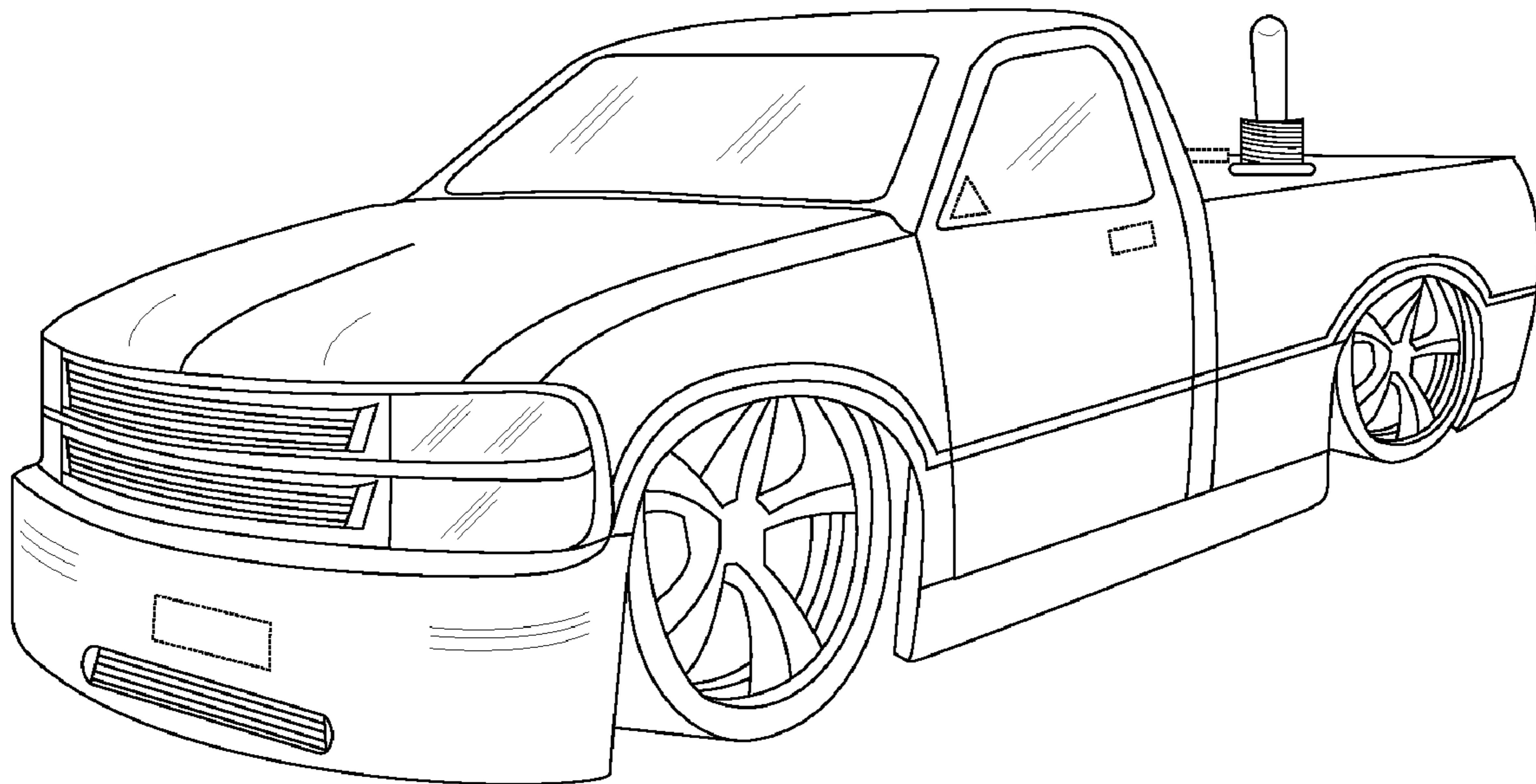
FIG. 7 is a front isometric view of FIG. 6.

FIG. 8 is a rear isometric view of FIG. 6.

FIG. 9 is a right side elevational view of FIG. 6, a left side elevational view being a mirror image thereof; and,

FIG. 10 is a top plan view of FIG. 6.

1 Claim, 6 Drawing Sheets



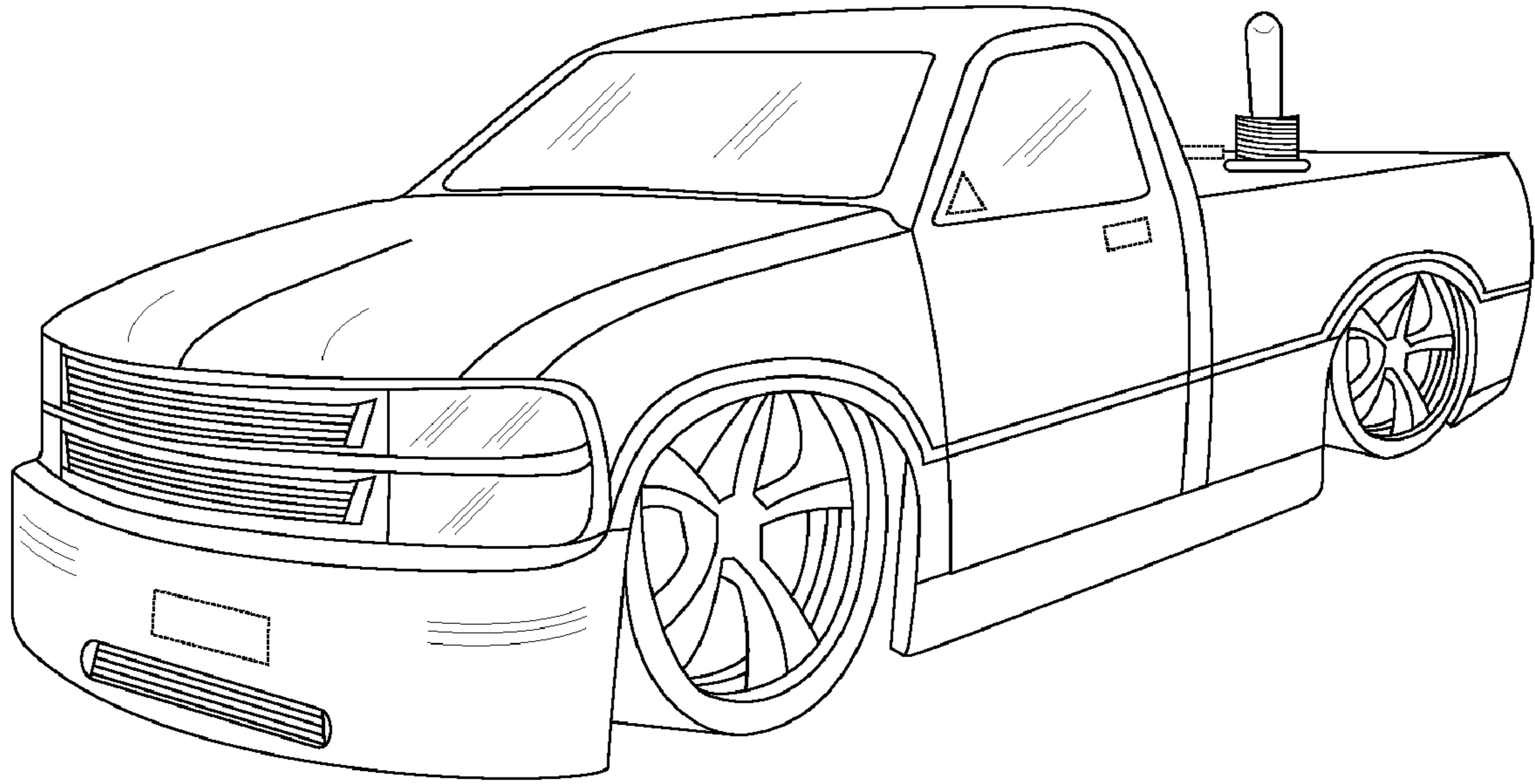


FIG. 1

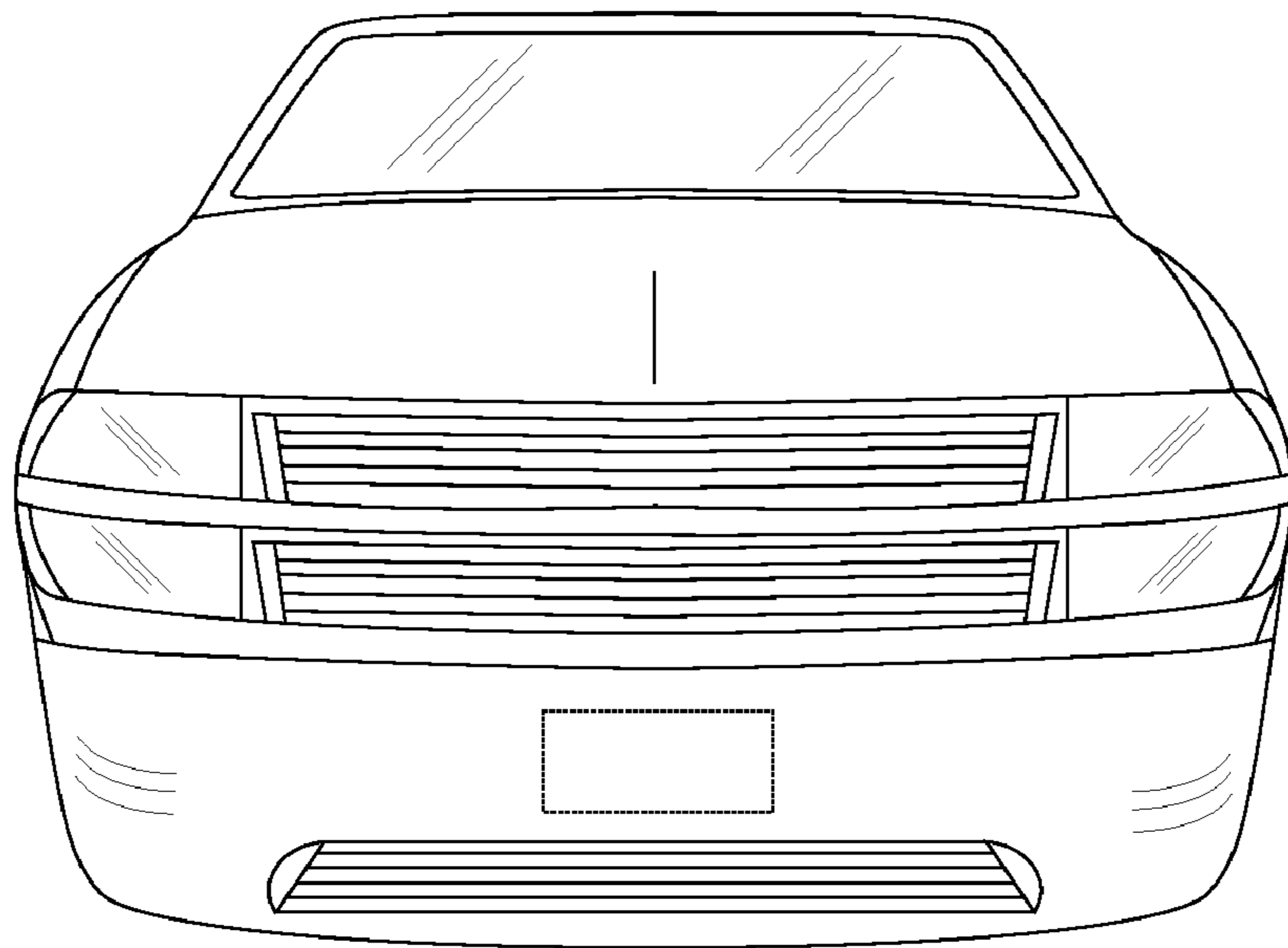


FIG. 2

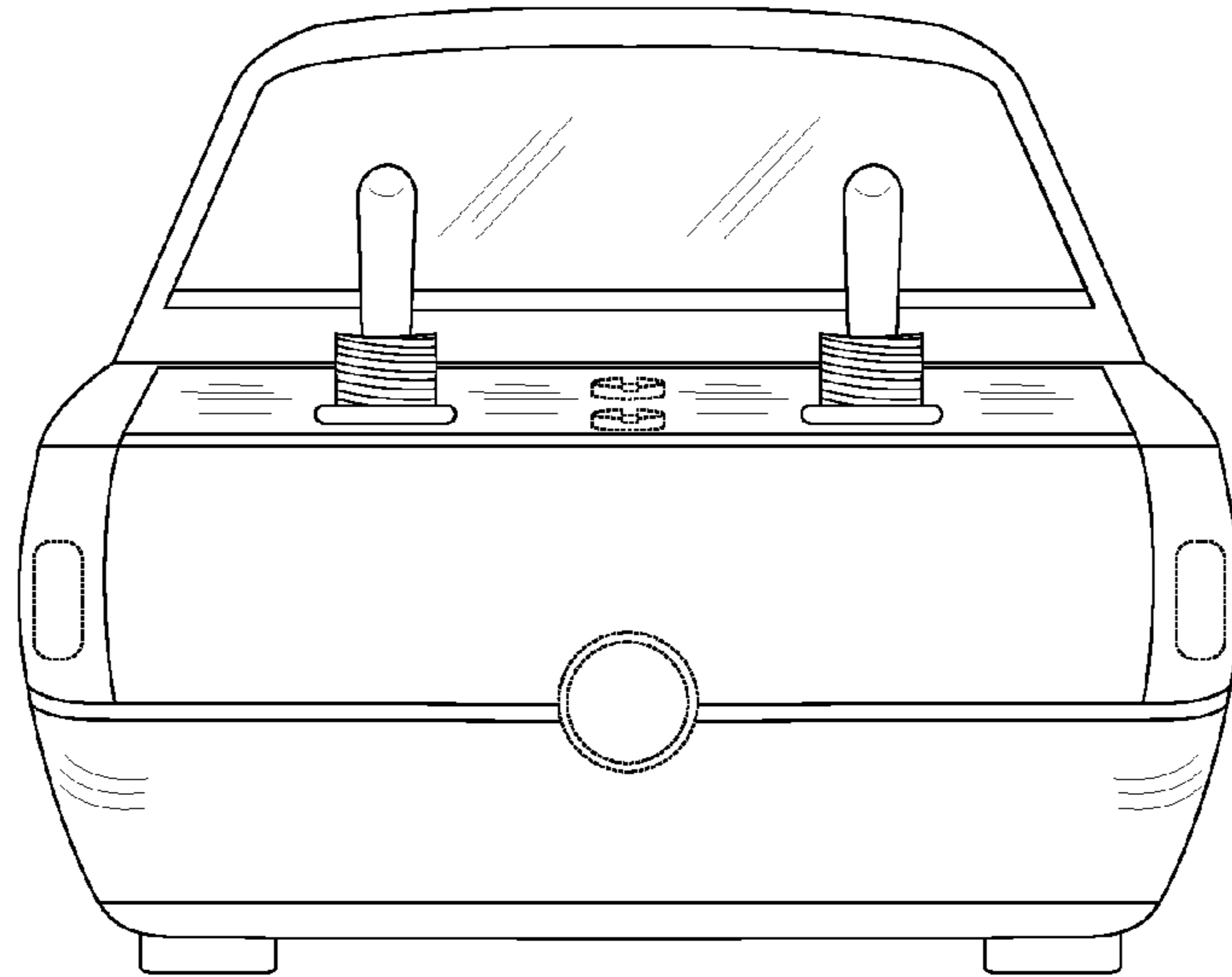


FIG. 3

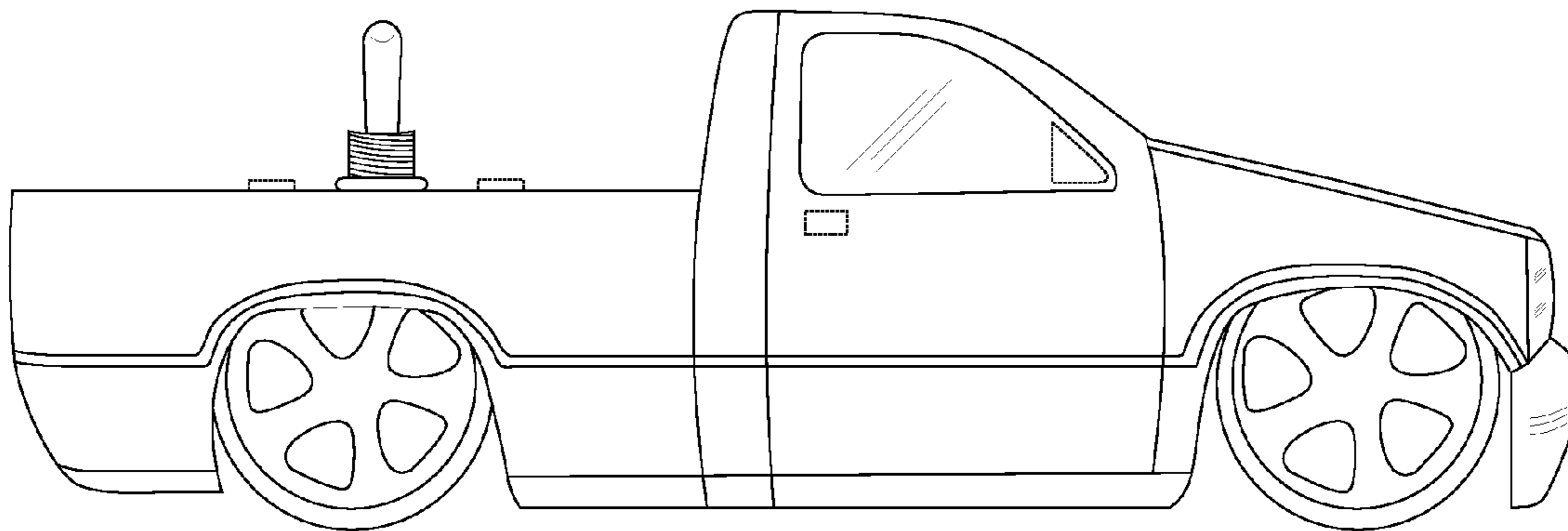


FIG. 4

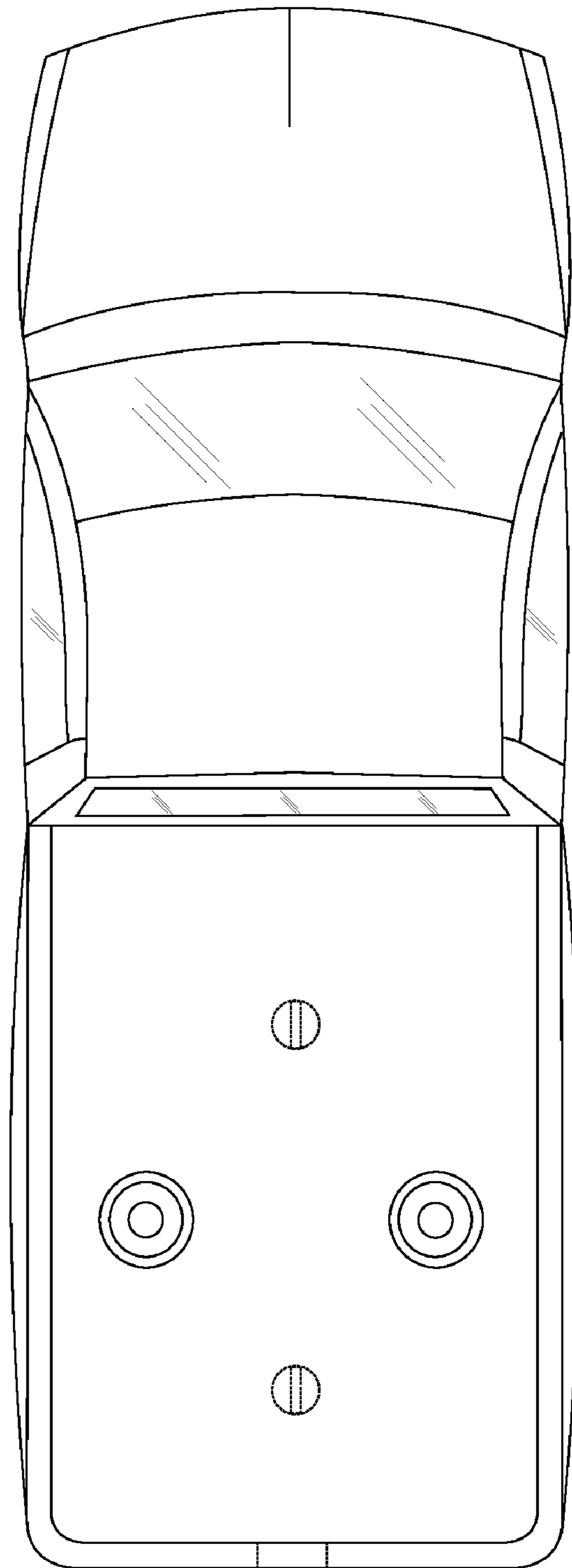


FIG. 5

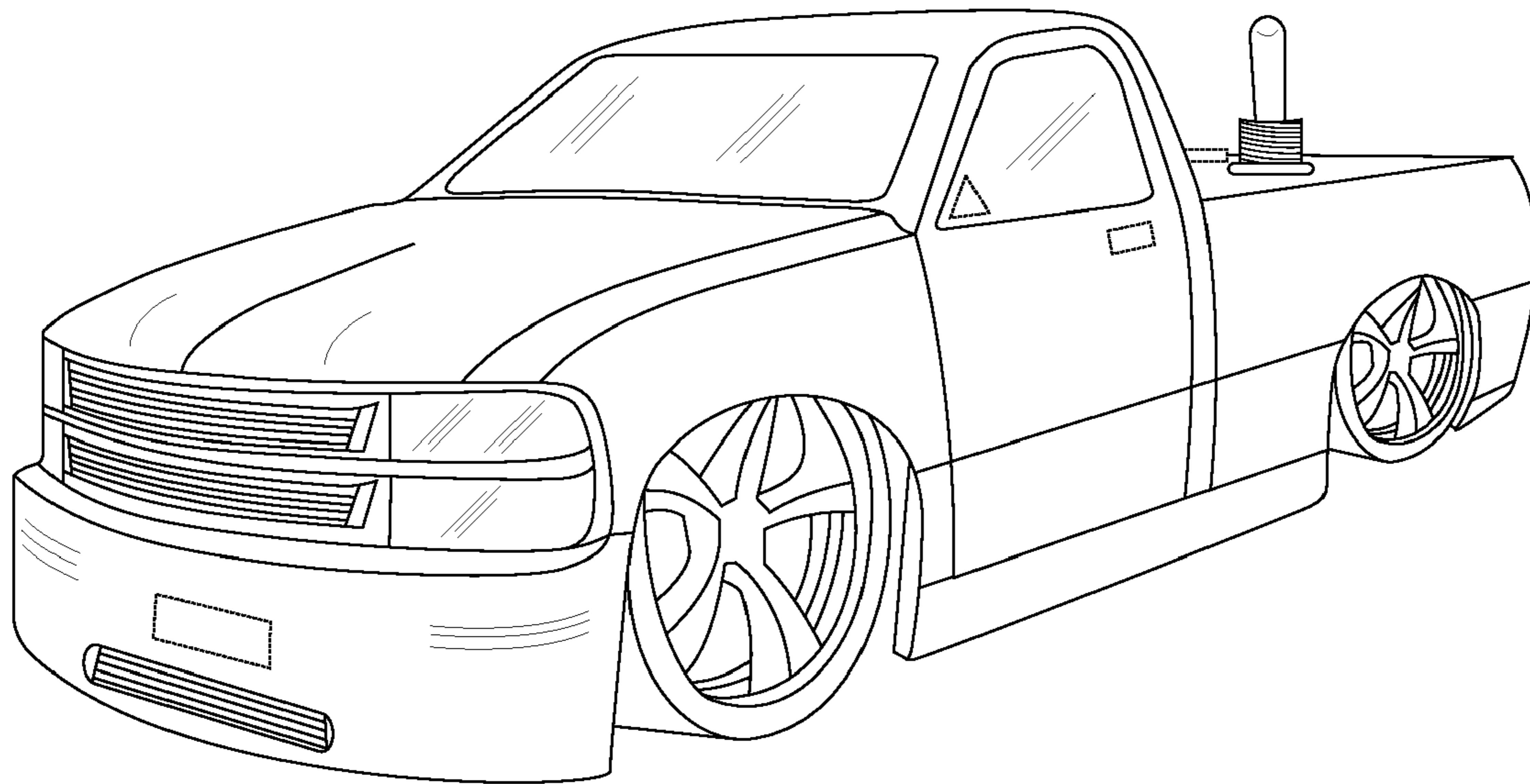


FIG. 6

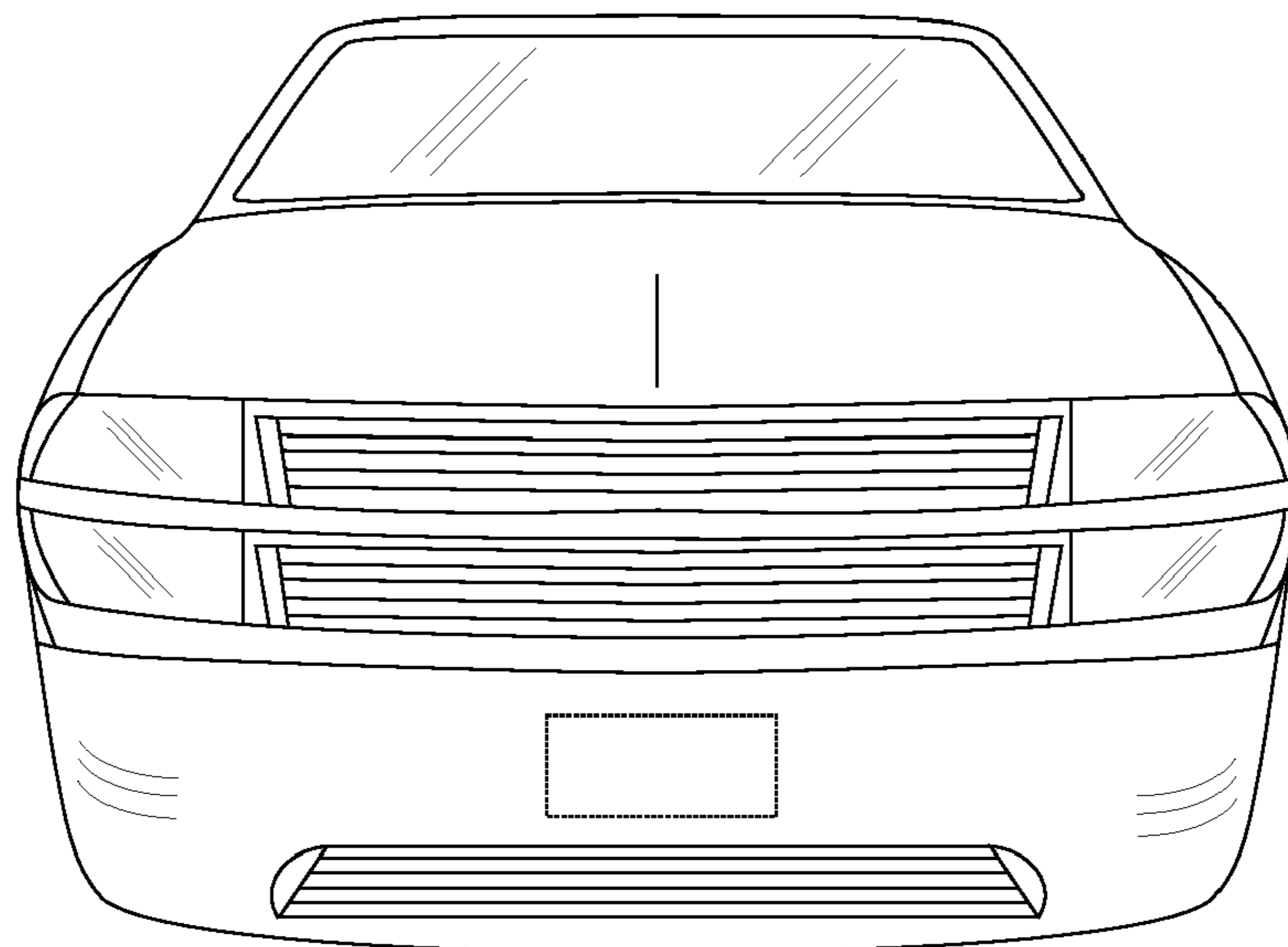


FIG. 7

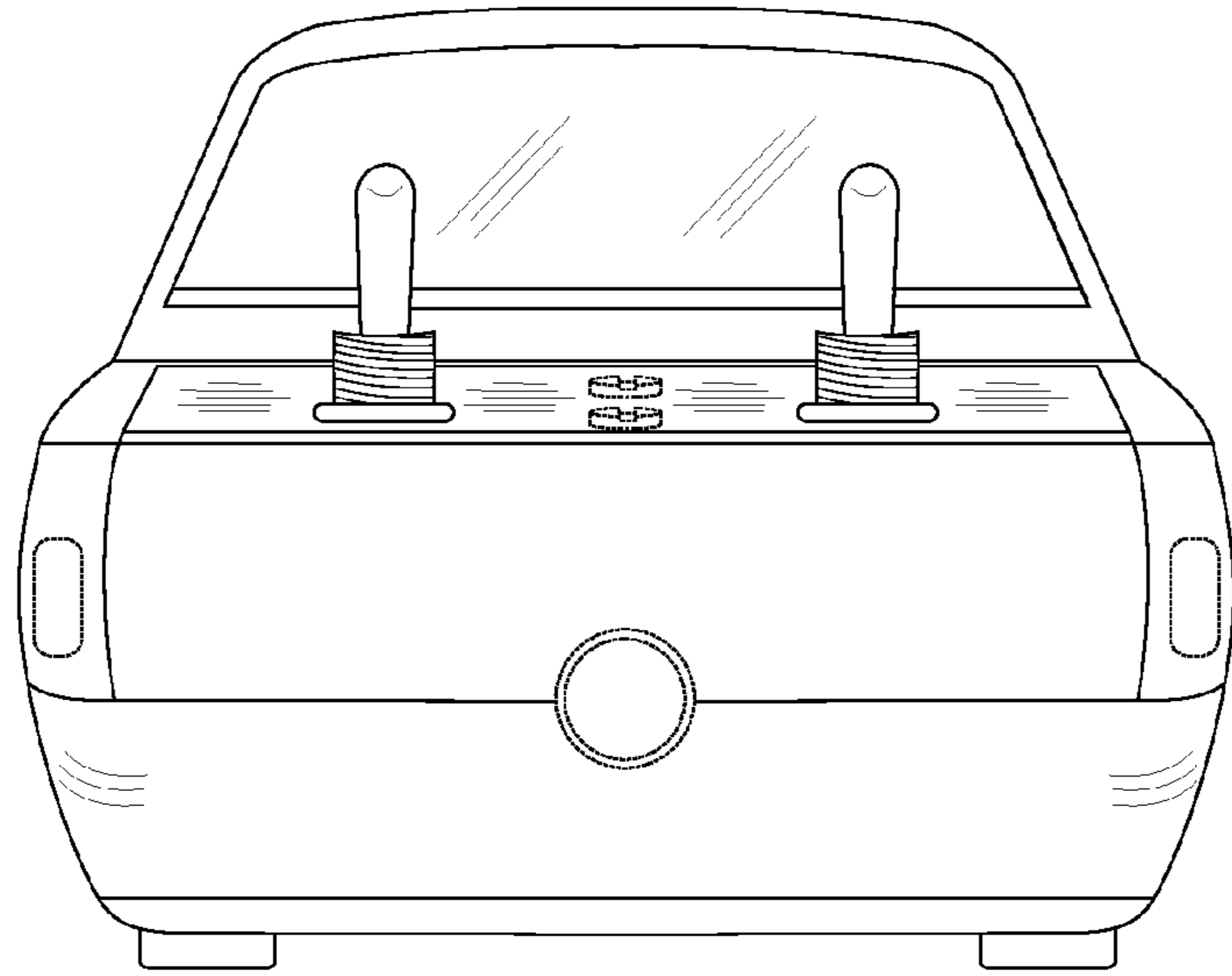


FIG. 8

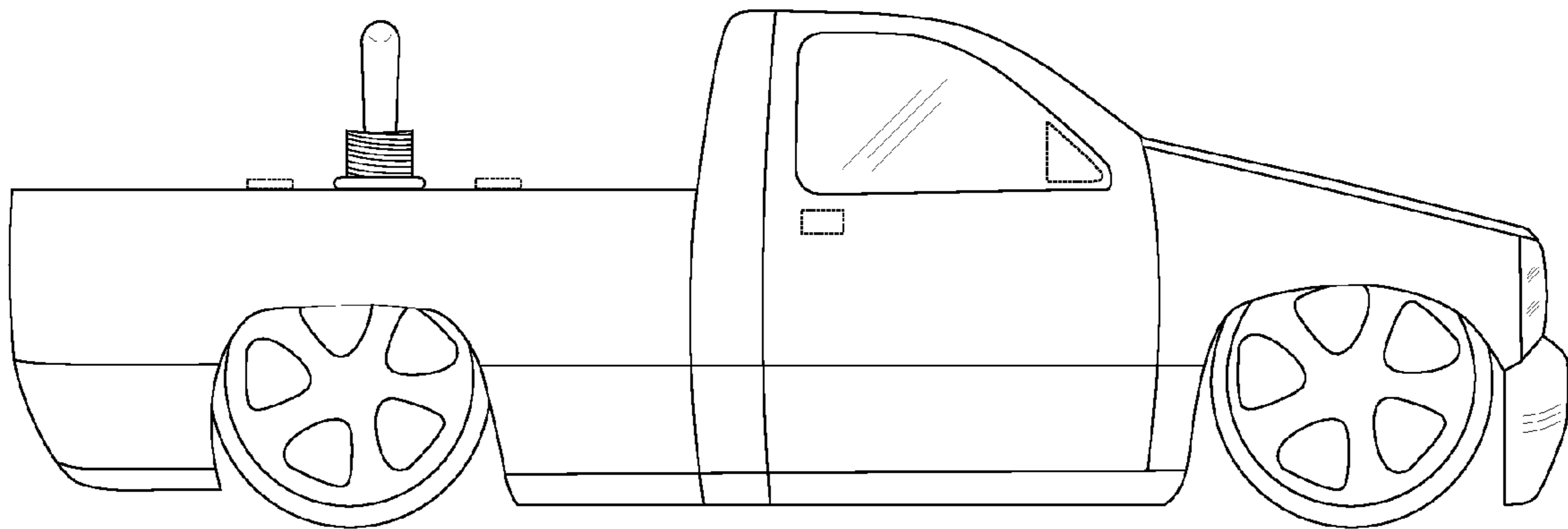


FIG. 9

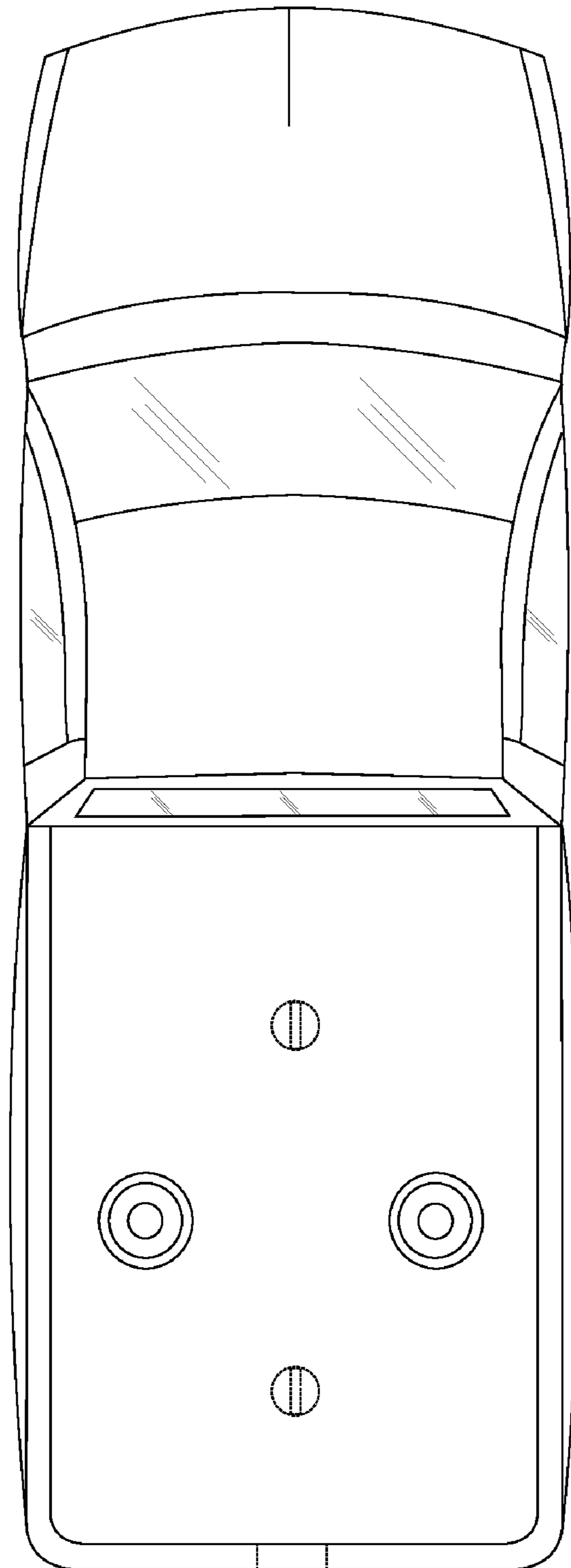


FIG. 10