

US00D643883S

(12) **United States Design Patent**
Dawes

(10) **Patent No.:** **US D643,883 S**

(45) **Date of Patent:** **** Aug. 23, 2011**

(54) **ELEMENT FOR A TOY CONSTRUCTION SET**

(75) Inventor: **Laurence Dawes**, Arhus C (DK)

(73) Assignee: **Lego A/S**, Billund (DK)

(**) Term: **14 Years**

(21) Appl. No.: **29/366,766**

(22) Filed: **Jul. 29, 2010**

(30) **Foreign Application Priority Data**

Feb. 2, 2010 (EM) 001664368

(51) **LOC (9) Cl.** **21-01**

(52) **U.S. Cl.** **D21/488; D21/503**

(58) **Field of Classification Search** D21/484,
D21/485, 487, 488, 489, 490, 492, 493, 494,
D21/495, 498, 499, 503, 504; 446/69, 85,
446/102-128; 434/208, 259, 403; 273/153,
273/156, 160; 428/174

See application file for complete search history.

(56) **References Cited**

U.S. PATENT DOCUMENTS

3,221,439 A * 12/1965 Schaper 446/120
3,550,311 A * 12/1970 Fouquart 446/102

3,648,404 A * 3/1972 Ogsbury et al. 446/126
4,352,255 A * 10/1982 Warehime 446/120
D307,775 S * 5/1990 Pedersen D21/500
D396,501 S * 7/1998 Hatting D21/484
5,897,417 A * 4/1999 Grey 446/125
D409,680 S * 5/1999 Krog D21/502
D410,705 S * 6/1999 Toft D21/486
6,109,997 A * 8/2000 Hatting 446/103
D503,954 S * 4/2005 Balanchi D21/489
D504,162 S * 4/2005 Andersen D21/404
D608,400 S * 1/2010 Ryaa D21/500

* cited by examiner

Primary Examiner — Cynthia M Chin

(74) *Attorney, Agent, or Firm* — Day Pitney LLP

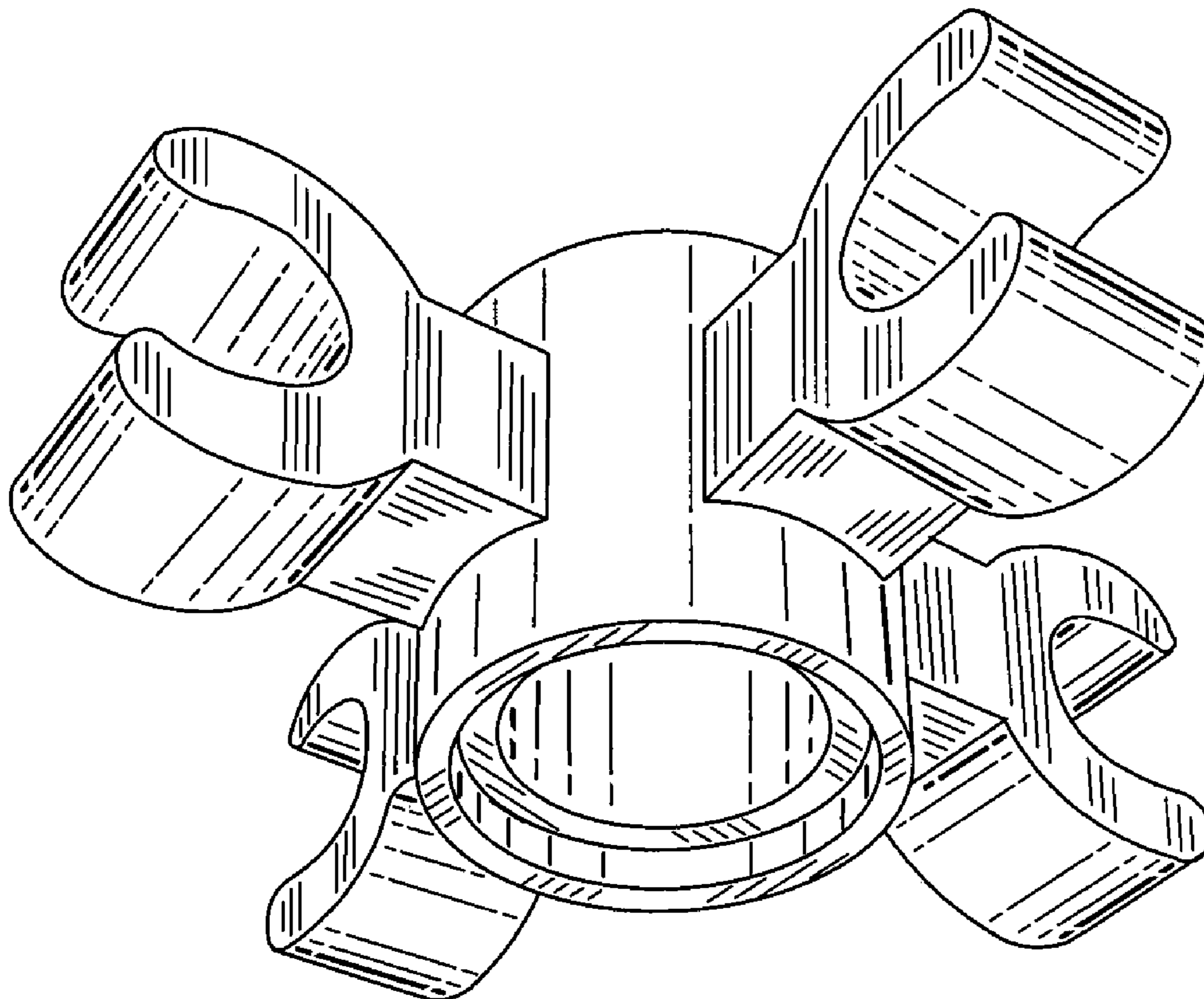
(57) **CLAIM**

The ornamental design for an element for a toy construction set, as shown and described.

DESCRIPTION

FIG. 1 is a perspective view of my ornamental design for an element for a toy construction set;
FIG. 2 is a top plan view thereof;
FIG. 3 is a bottom plan view thereof;
FIG. 4 is a right side view thereof;
FIG. 5 is a left side view thereof;
FIG. 6 is a front view thereof; and,
FIG. 7 is a rear view thereof.

1 Claim, 7 Drawing Sheets



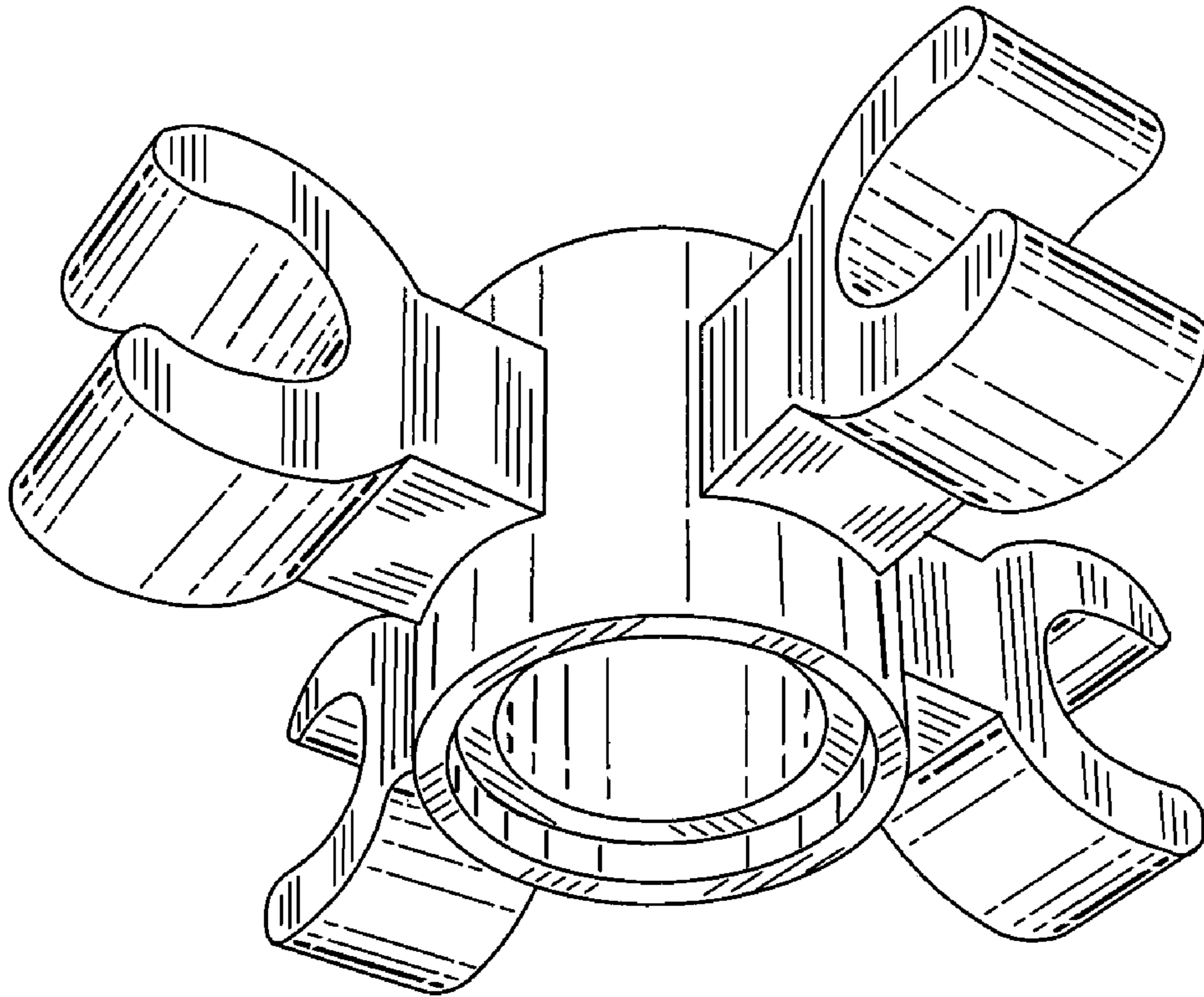


FIG. 1

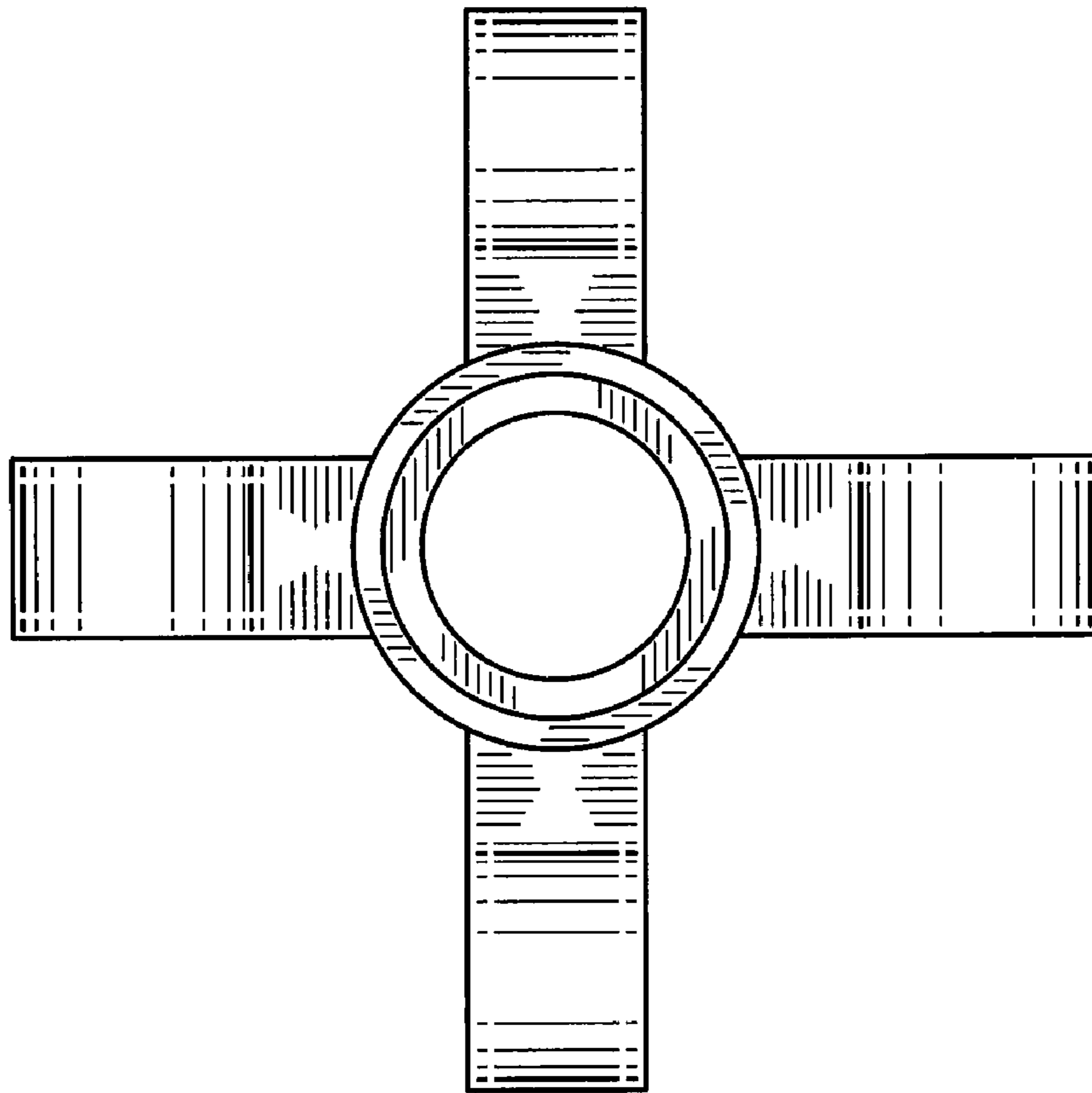


FIG. 2

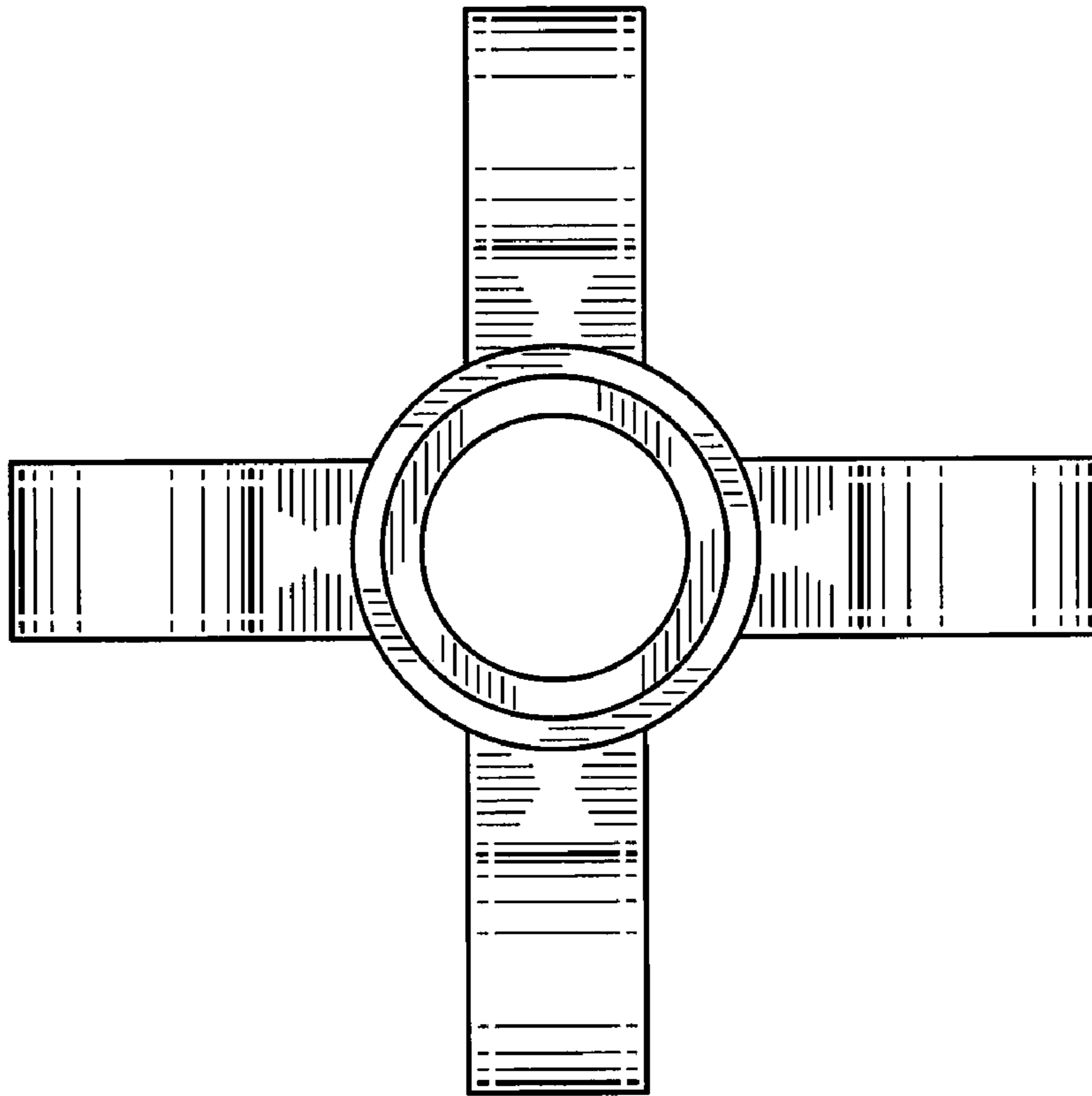


FIG. 3

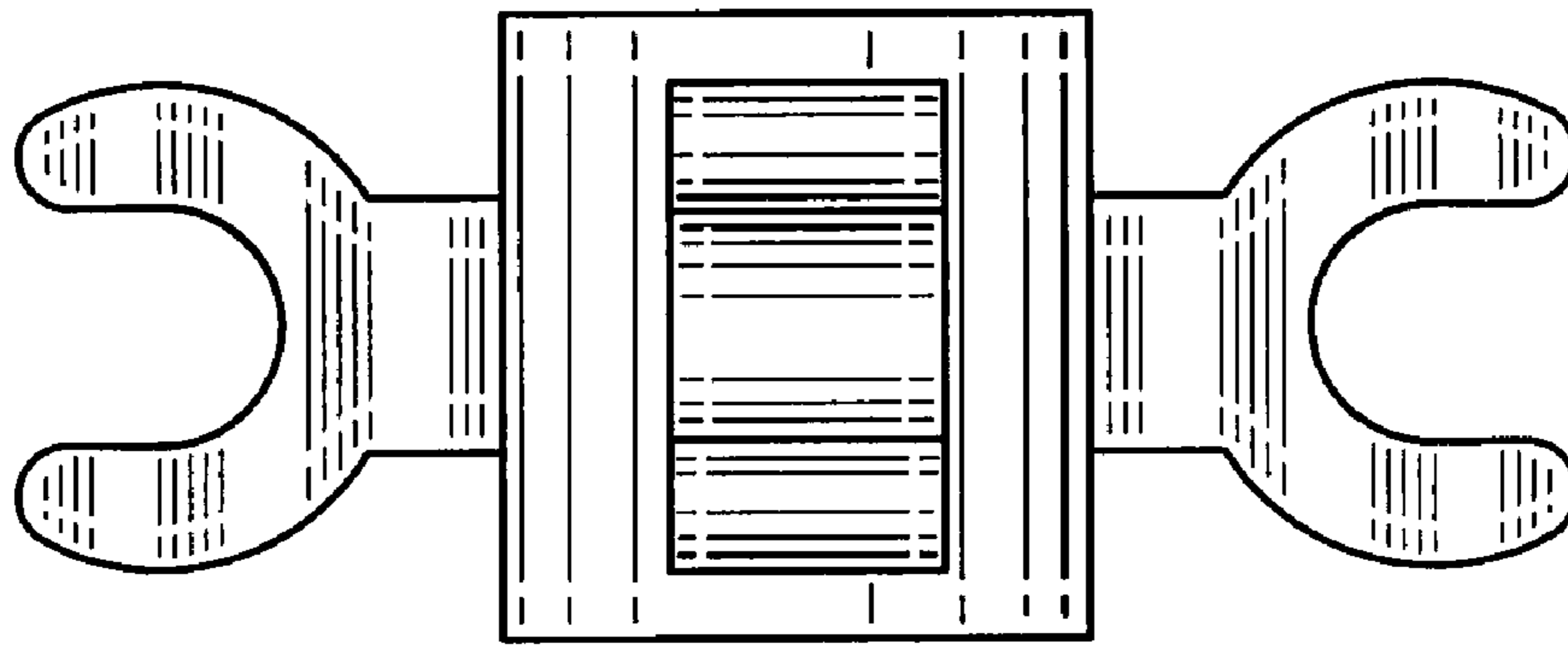


FIG. 4

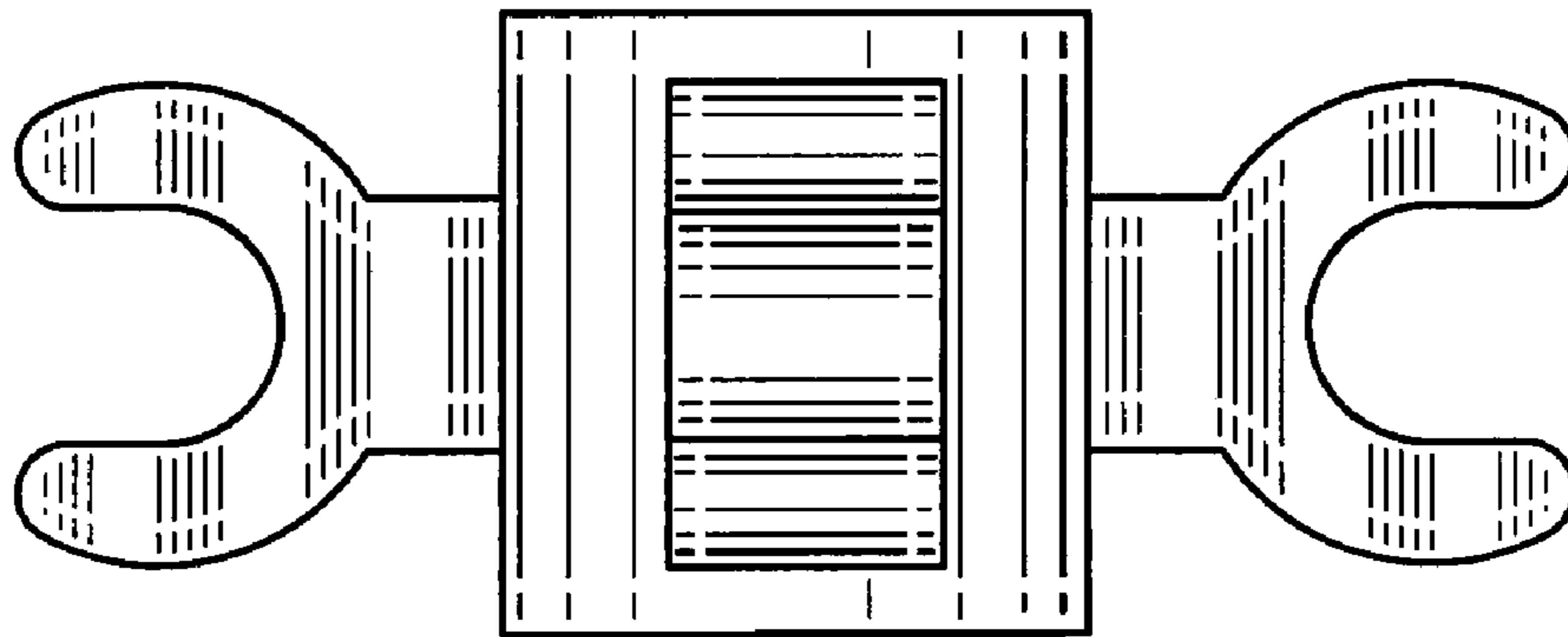


FIG. 5

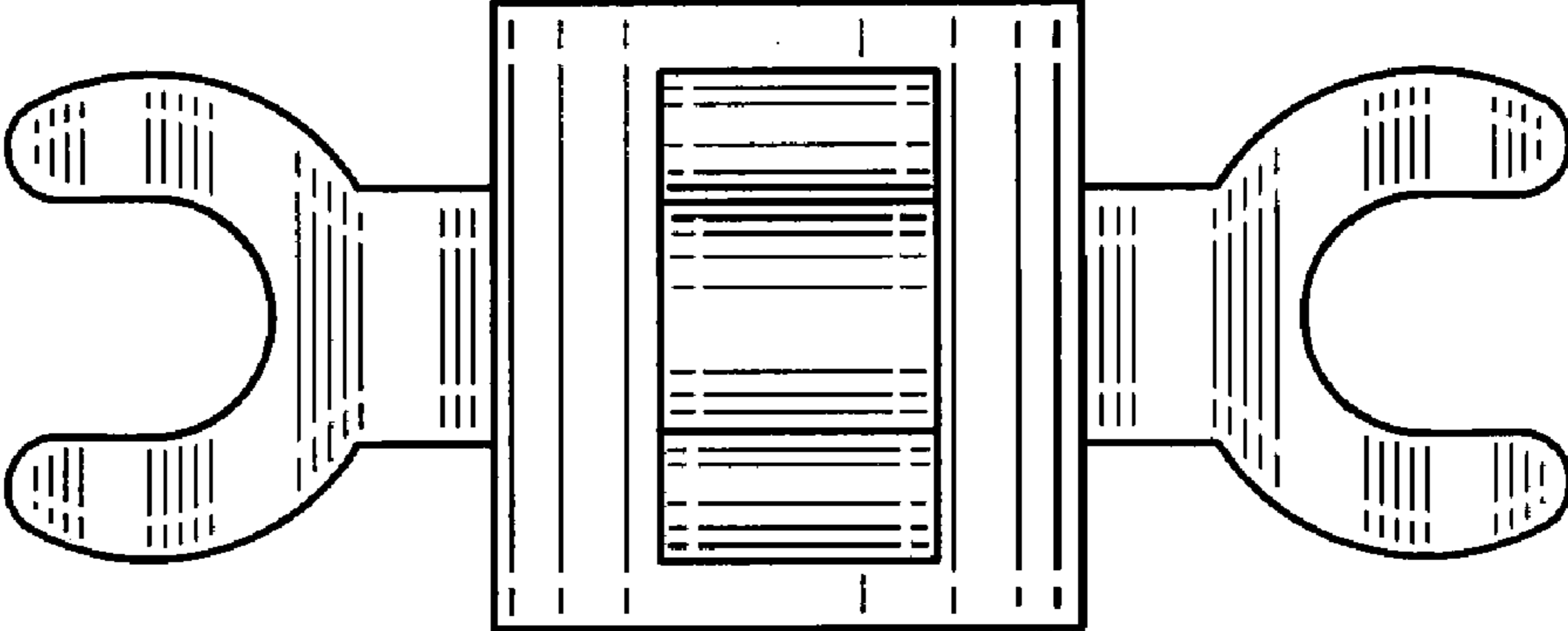


FIG. 6

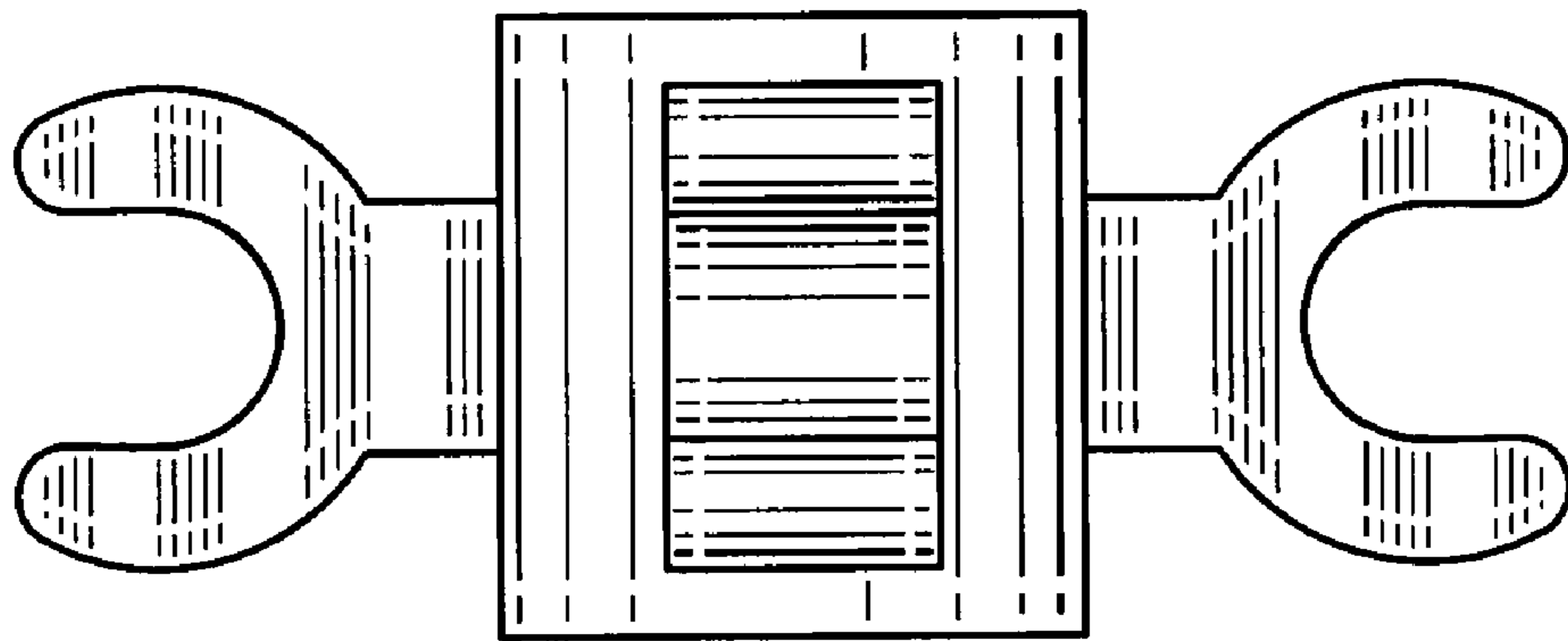


FIG. 7