



US00D643881S

(12) **United States Design Patent**  
**Chau**

(10) **Patent No.:** **US D643,881 S**

(45) **Date of Patent:** **\*\* \*Aug. 23, 2011**

(54) **RECEPTACLE FOR A CARD**

(76) Inventor: **Wai K. Chau**, Elmwood Park, NJ (US)

(\* ) Notice: This patent is subject to a terminal disclaimer.

(\*\*) Term: **14 Years**

(21) Appl. No.: **29/372,169**

(22) Filed: **Oct. 25, 2010**

(51) **LOC (9) Cl.** ..... **20-02**

(52) **U.S. Cl.** ..... **D20/43**

(58) **Field of Classification Search** ..... D20/10,  
D20/15, 18, 19, 22, 27, 40, 42-44, 99; 40/446,  
40/625-629, 642.02, 643, 649, 658, 661,  
40/661.02, 662; D3/227; D6/300, 314, 518,  
D6/553; D19/75, 86, 90

See application file for complete search history.

(56) **References Cited**

**U.S. PATENT DOCUMENTS**

1,728,741 A \* 9/1929 Wykes, Jr. .... 40/649  
D172,363 S \* 6/1954 Rosenbaum ..... D6/314  
2,925,675 A \* 2/1960 Lumpkin ..... 40/643

D201,702 S \* 7/1965 Howard ..... D6/518  
D280,469 S \* 9/1985 Heyman et al. .... D6/314  
D358,716 S \* 5/1995 Chenevert ..... D6/300  
D391,302 S \* 2/1998 Burns ..... D20/43  
D434,452 S \* 11/2000 Steiner et al. .... D20/40  
D504,469 S \* 4/2005 Chen et al. .... D19/90  
D564,596 S \* 3/2008 Johnson et al. .... D20/43  
D595,362 S \* 6/2009 Maier-Hunke ..... D20/42

\* cited by examiner

*Primary Examiner* — Mary Ann Calabrese

(74) *Attorney, Agent, or Firm* — Charles E. Baxley

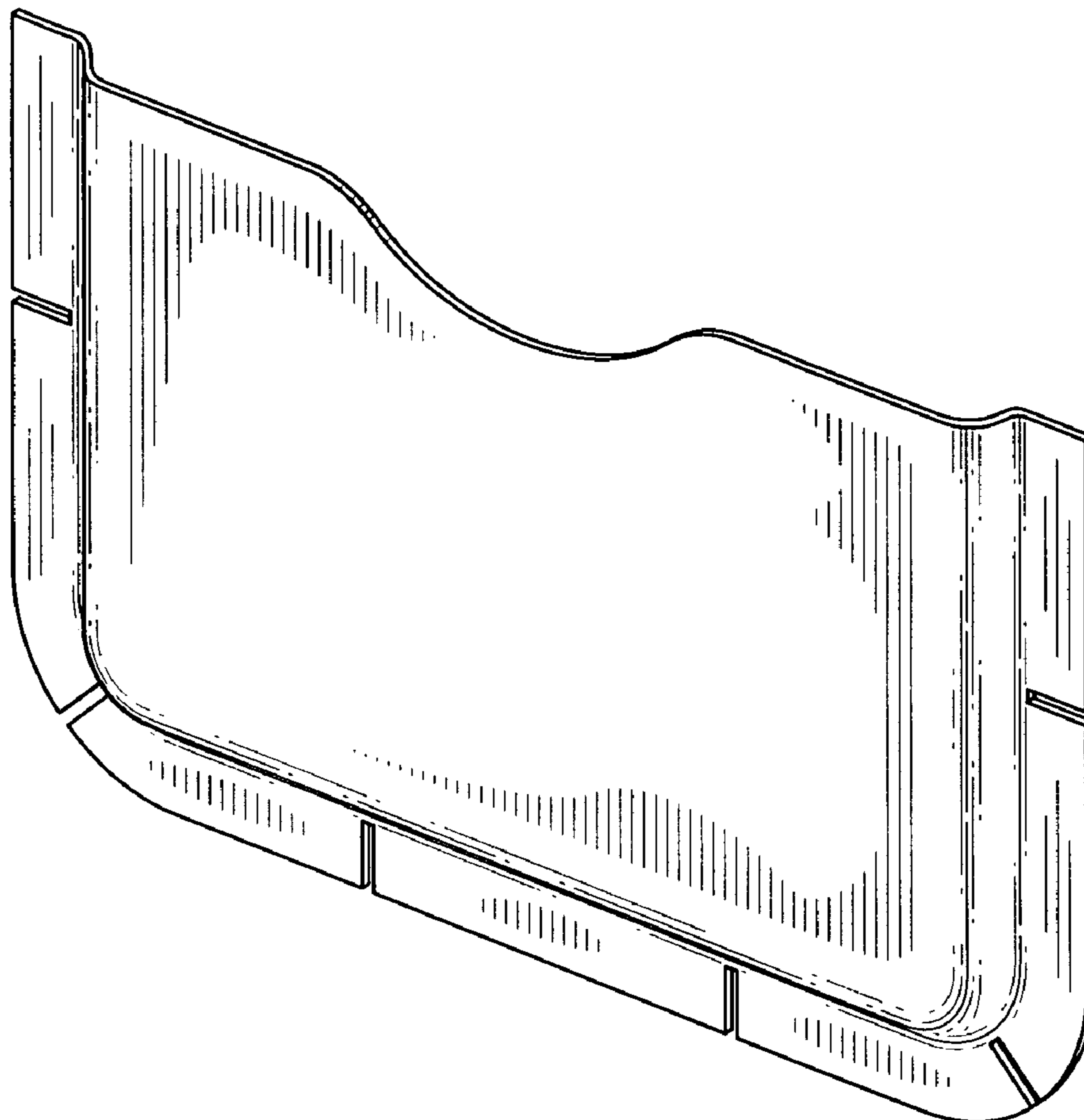
(57) **CLAIM**

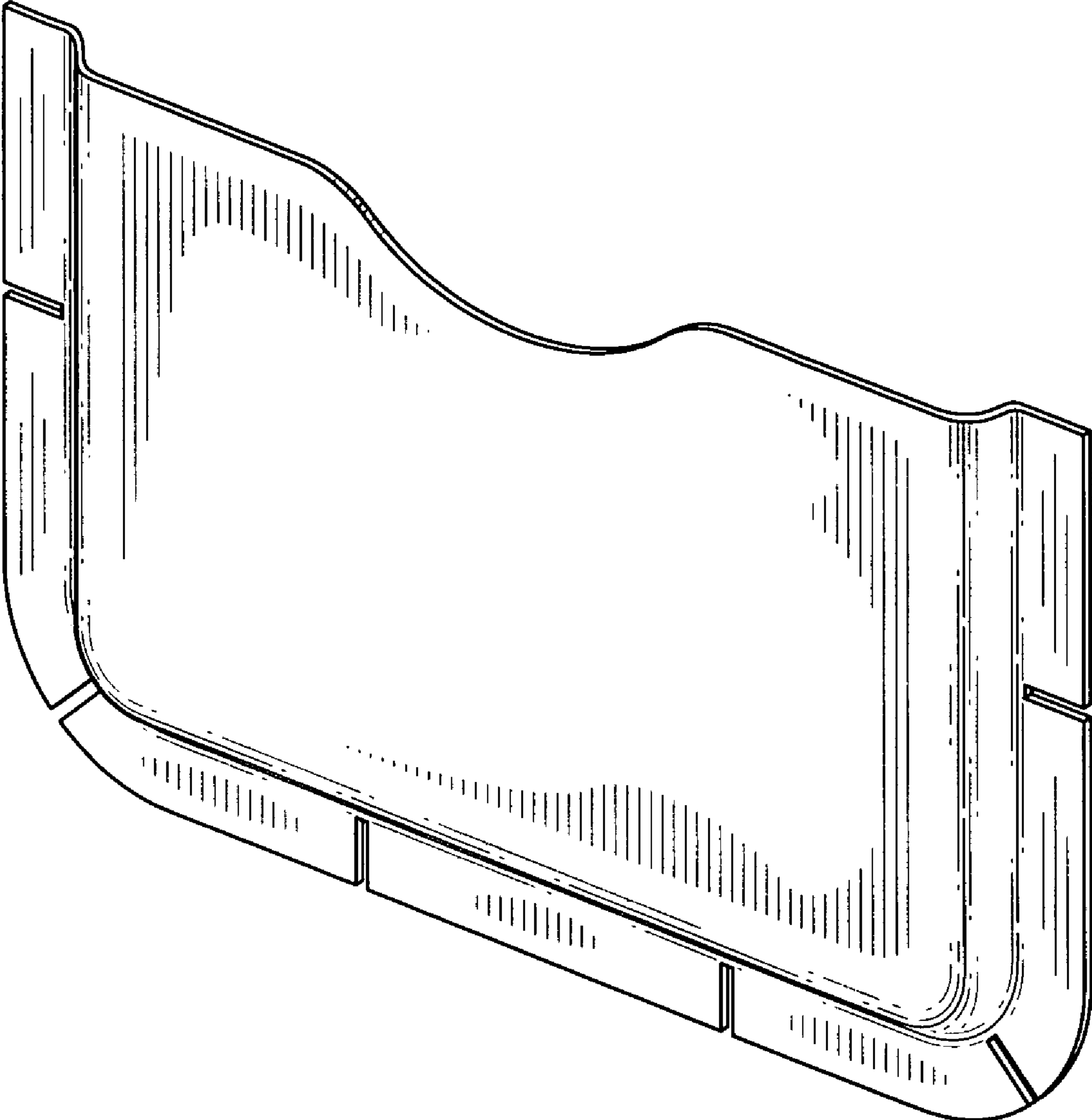
I claim the ornamental design of a receptacle for a card, as shown and described.

**DESCRIPTION**

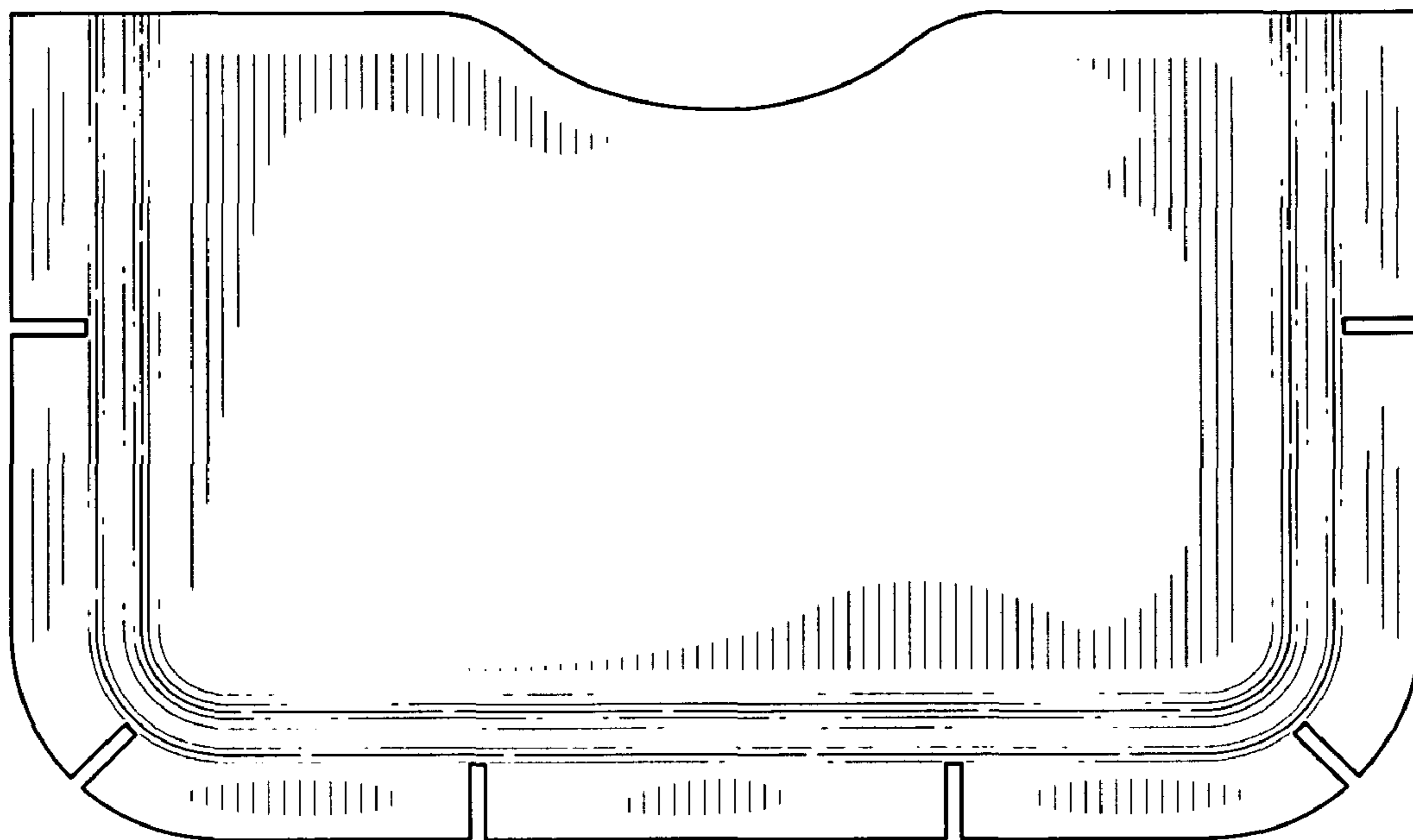
FIG. 1 is a frontal downward leftward perspective view of my receptacle for a card;  
FIG. 2 is a front elevational view thereof;  
FIG. 3 is a right elevational view thereof;  
FIG. 4 is a rear elevational view thereof;  
FIG. 5 is a left elevational view thereof;  
FIG. 6 is a top plan view thereof; and,  
FIG. 7 is a bottom elevational view thereof.

**1 Claim, 4 Drawing Sheets**

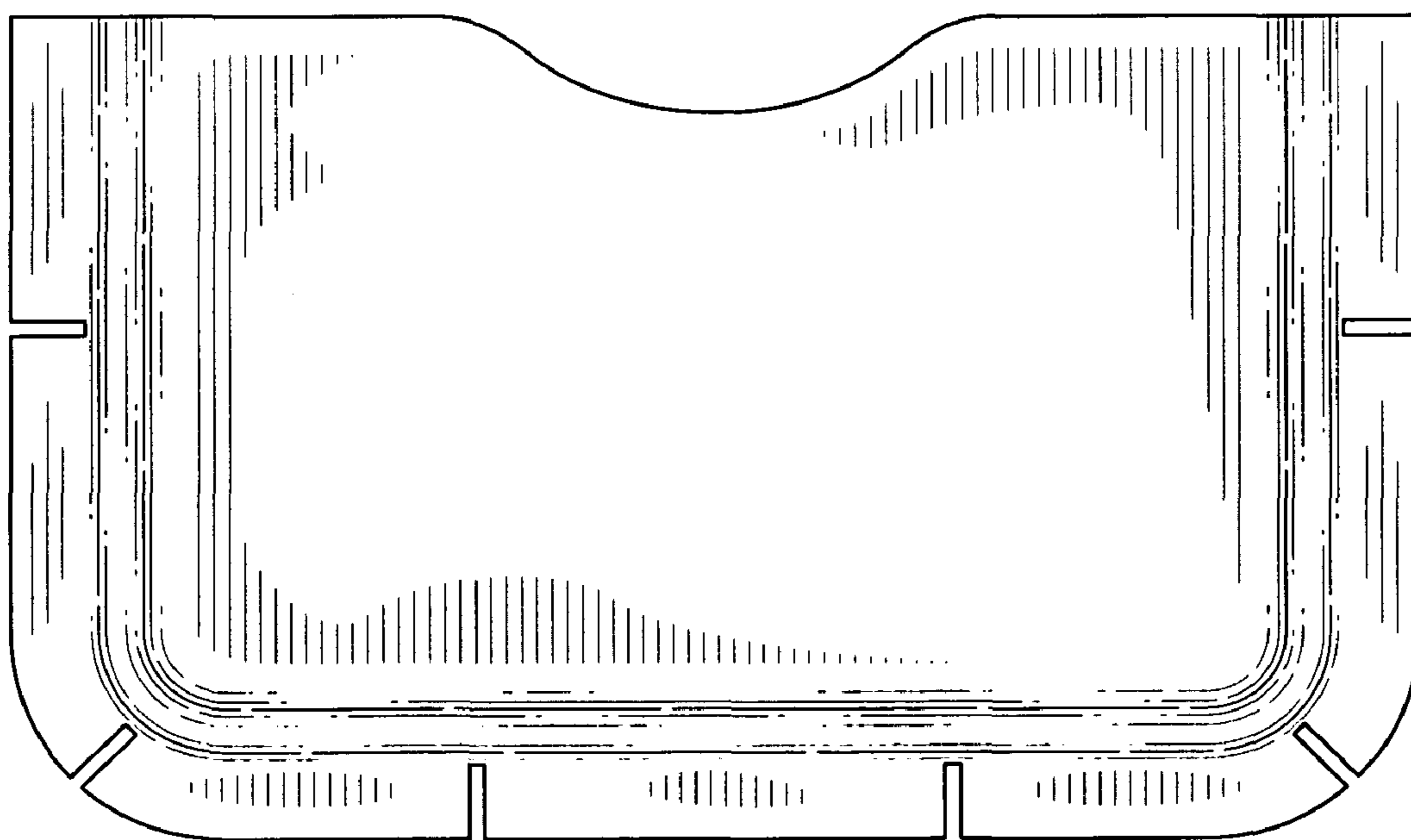




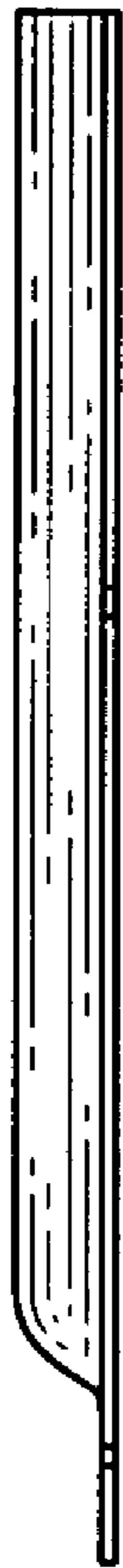
**FIG. 1**



**FIG. 2**



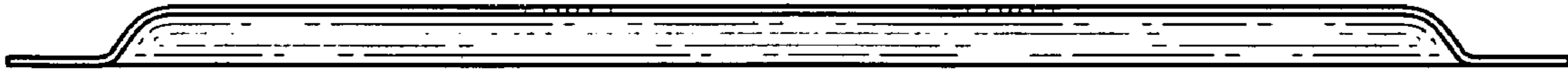
**FIG. 4**



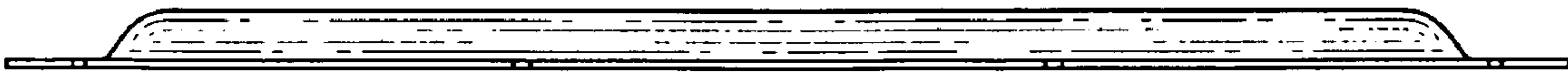
**FIG. 3**



**FIG. 5**



**FIG. 6**



**FIG. 7**