



US00D643879S

(12) **United States Design Patent**  
**Rashid**

(10) **Patent No.:** **US D643,879 S**

(45) **Date of Patent:** **\*\* Aug. 23, 2011**

(54) **PEBBLE SHAPED DISPENSER FOR NOTES**

(75) Inventor: **Karim Rashid**, New York, NY (US)

(73) Assignee: **3M Innovative Properties Company**,  
St. Paul, MN (US)

(\*\*) Term: **14 Years**

(21) Appl. No.: **29/367,397**

(22) Filed: **Aug. 6, 2010**

(51) **LOC (9) Cl.** ..... **19-02**

(52) **U.S. Cl.** ..... **D19/86**

(58) **Field of Classification Search** ..... D3/304;  
D6/449, 475, 512, 553; D19/75, 77, 78,  
D19/86, 87, 90, 91; 206/215, 425, 449; 211/10,  
211/11, 45, 50, 55  
See application file for complete search history.

(56) **References Cited**

**U.S. PATENT DOCUMENTS**

4,921,127	A *	5/1990	Windorski	.....	221/45
D310,688	S *	9/1990	Windorski	.....	D19/86
D316,112	S *	4/1991	Windorski	.....	D19/86
D337,177	S *	7/1993	Tiramani et al.	.....	D28/76
D339,823	S *	9/1993	Evenson	.....	D19/75
D342,096	S *	12/1993	Cornell	.....	D19/86
D478,657	S *	8/2003	Fontana et al.	.....	D24/102

D498,501	S *	11/2004	Stoddard et al.	.....	D19/86
D509,637	S *	9/2005	Wozniak	.....	D99/5
D526,571	S *	8/2006	Terrasi	.....	D9/629
D570,416	S *	6/2008	Hackenberg et al.	.....	D19/83
D588,057	S *	3/2009	Soler My	.....	D13/100
D622,024	S *	8/2010	School	.....	D99/5
D633,148	S *	2/2011	Nash	.....	D19/86

\* cited by examiner

*Primary Examiner* — Elizabeth Albert

(74) *Attorney, Agent, or Firm* — Robert H. Jordan

(57) **CLAIM**

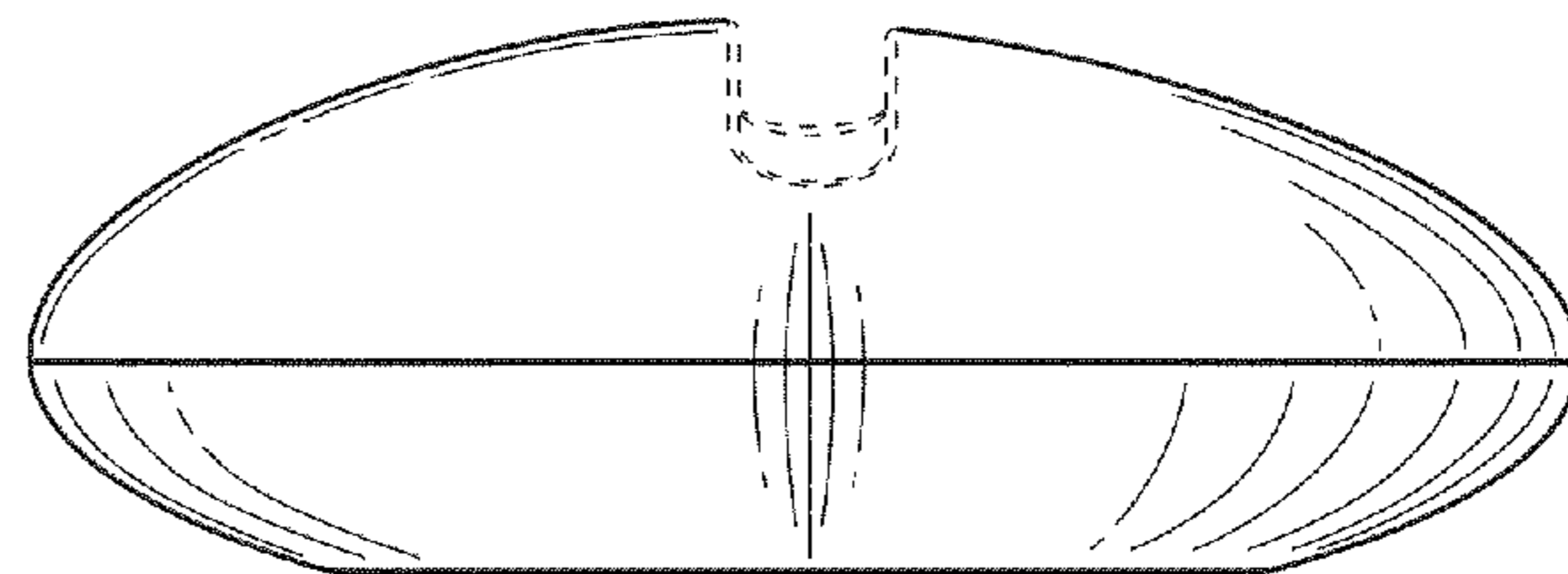
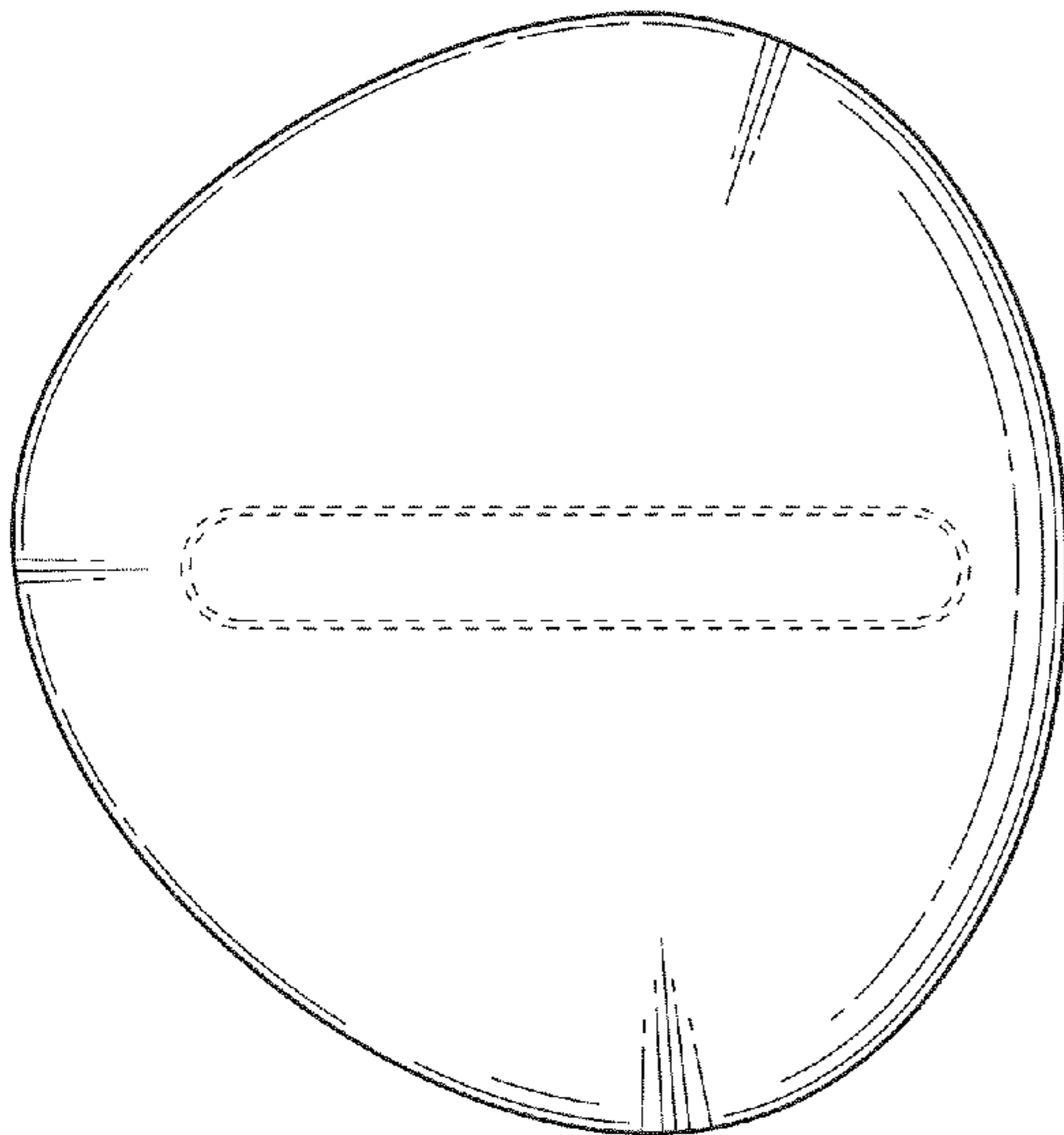
The ornamental design for a pebble shaped dispenser for notes, as shown and described.

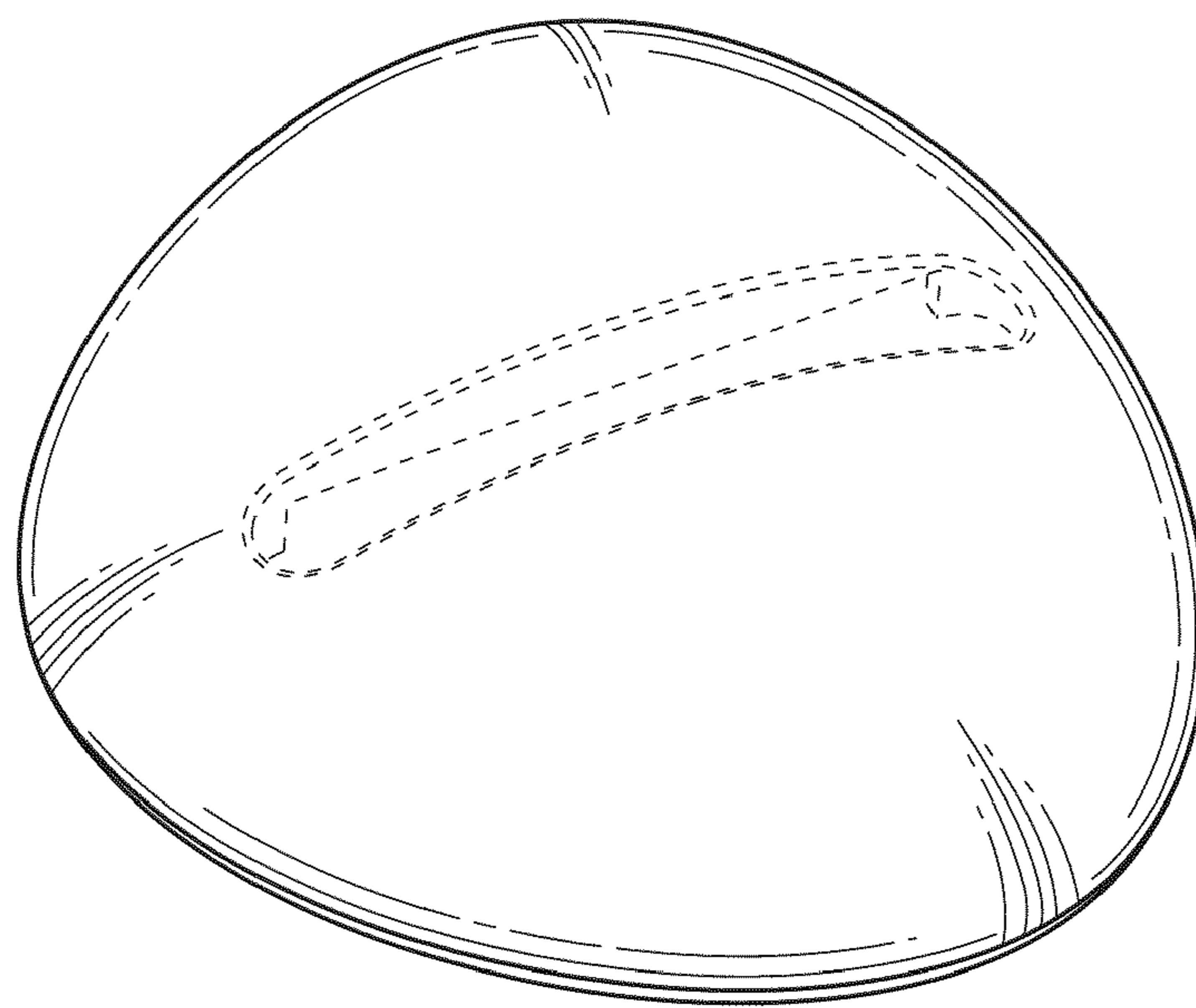
**DESCRIPTION**

FIG. 1 is a perspective view showing the new design for a pebble shaped dispenser for notes;  
FIG. 2 is a top view thereof;  
FIG. 3 is a front view thereof;  
FIG. 4 is a back view thereof;  
FIG. 5 is a right side view thereof;  
FIG. 6 is a left side view thereof; and,  
FIG. 7 is a bottom view thereof.

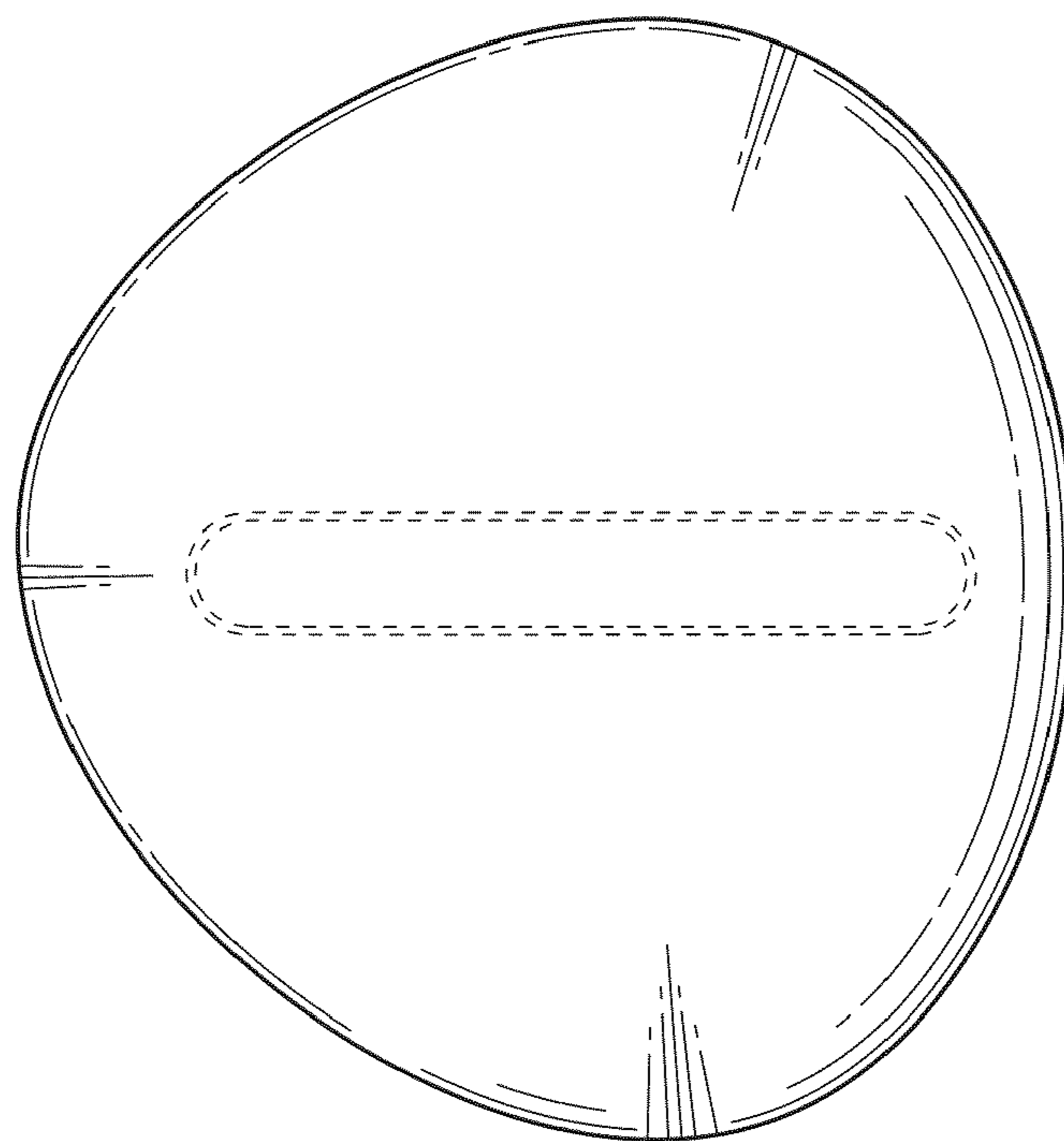
The broken lines showing the slot in the top and internal features in FIGS. 1, 2, 4, 5, and 6 are included to show features that form no part of the claimed design.

**1 Claim, 3 Drawing Sheets**

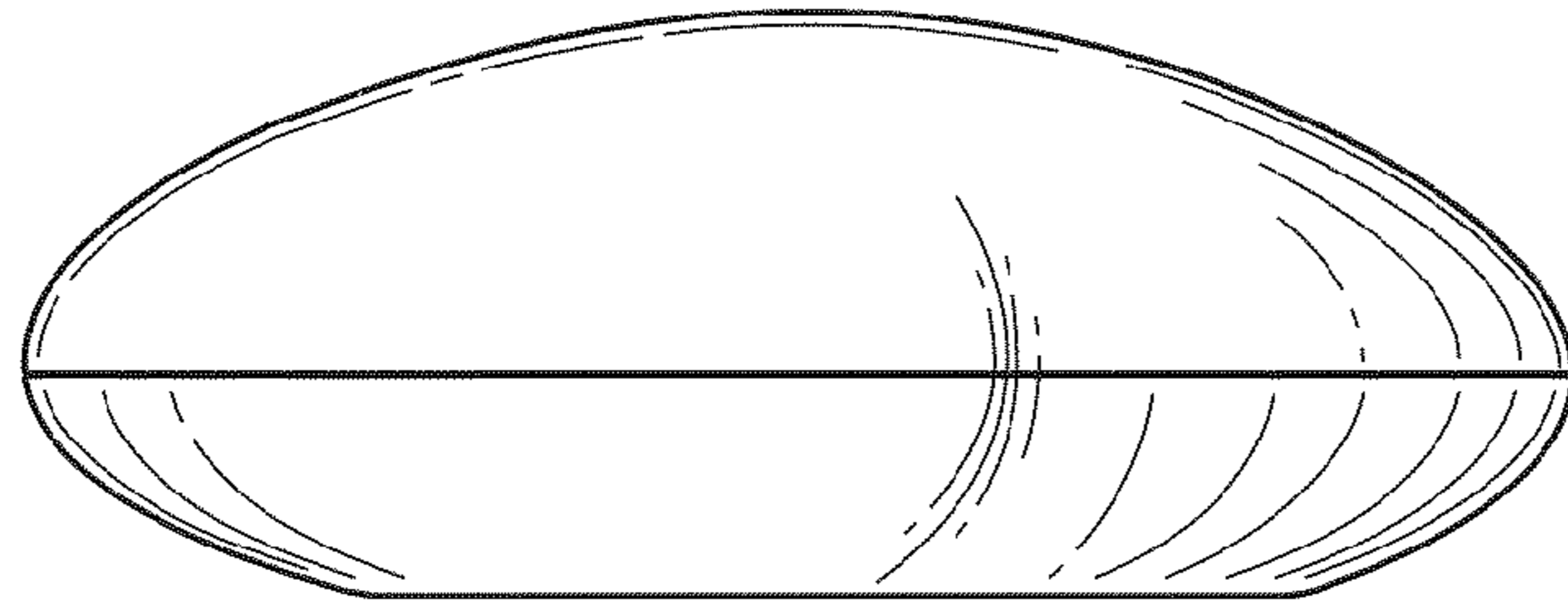




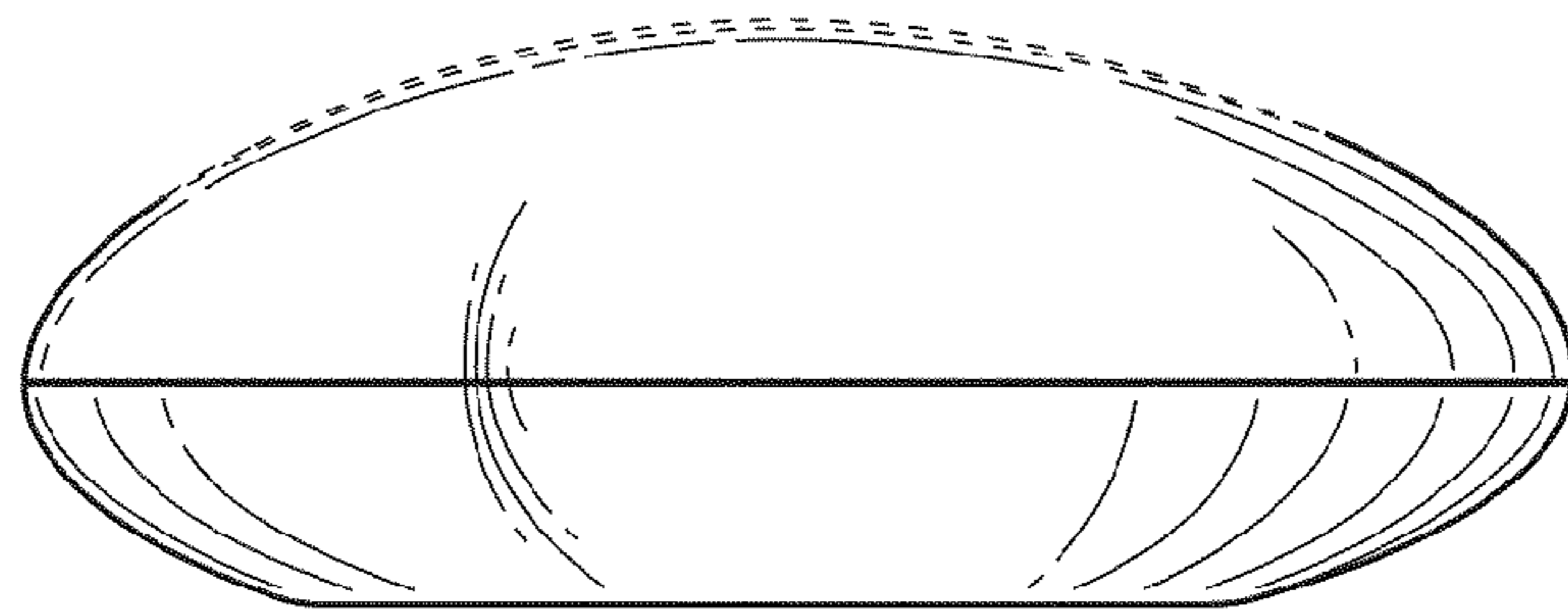
*Fig. 1*



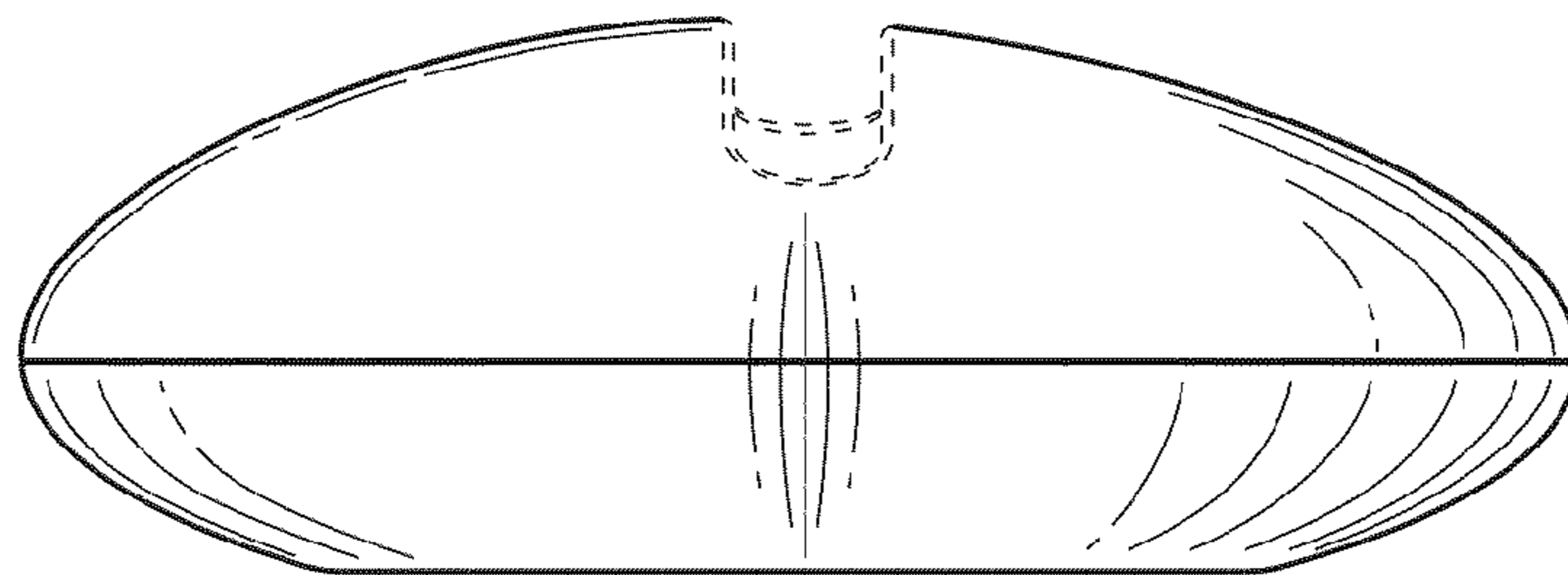
*Fig. 2*



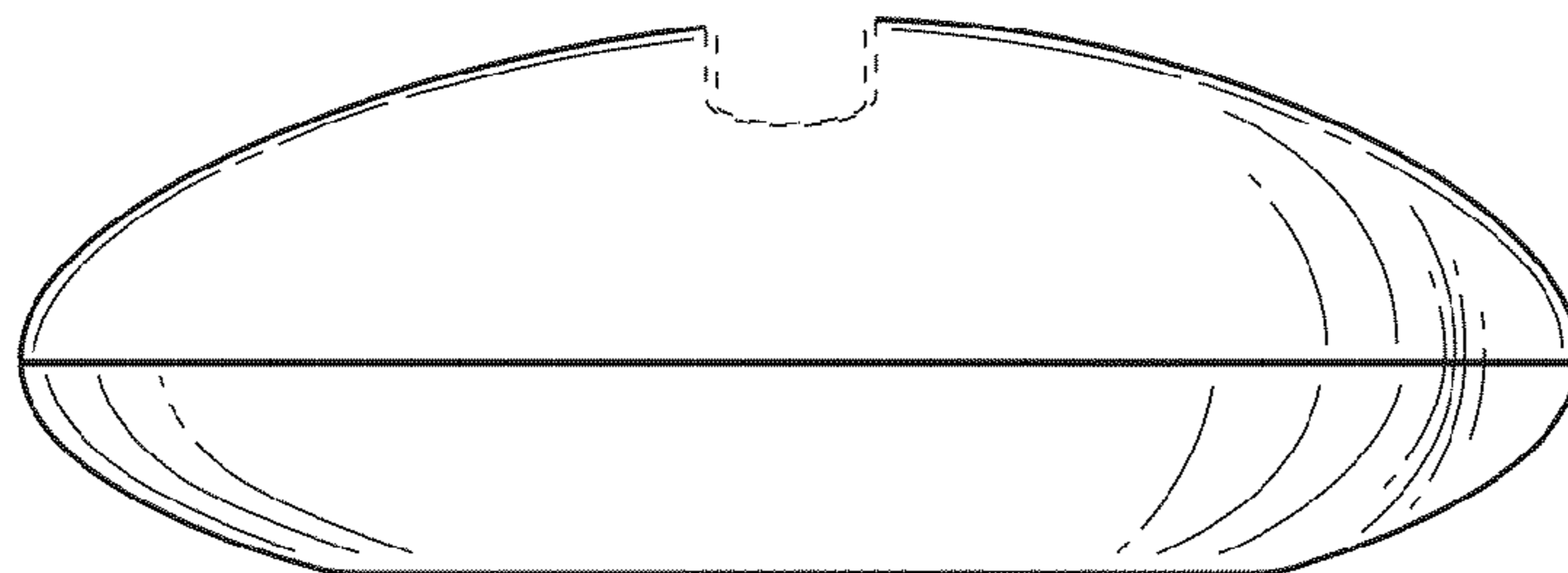
*Fig. 3*



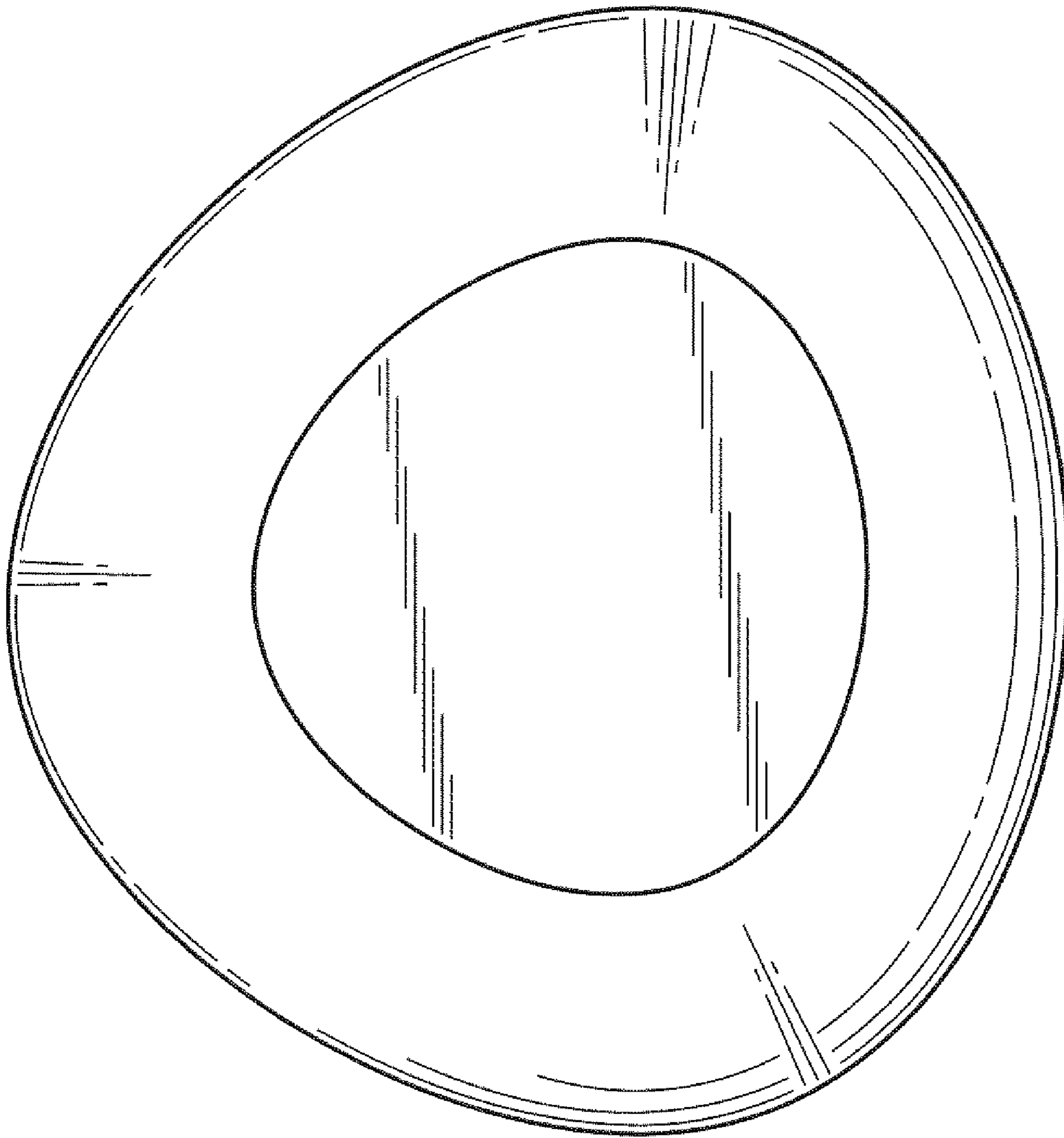
*Fig. 4*



*Fig. 5*



*Fig. 6*



*Fig. 7*