



US00D643878S

(12) **United States Design Patent**
Osorio

(10) **Patent No.:** **US D643,878 S**

(45) **Date of Patent:** **** Aug. 23, 2011**

(54) **DISPLAY FOLDER BOARD**

(76) Inventor: **Luis E. Osorio**, Houston, TX (US)

(**) Term: **14 Years**

(21) Appl. No.: **29/378,494**

(22) Filed: **Nov. 4, 2010**

(51) **LOC (9) Cl.** **19-06**

(52) **U.S. Cl.** **D19/52**

(58) **Field of Classification Search** D6/300,
D6/302; D19/26, 33, 35, 52; D20/10, 39,
D20/40, 41, 42; 40/585, 745; 434/408, 409,
434/415, 417, 421, 425, 428

See application file for complete search history.

(56) **References Cited**

U.S. PATENT DOCUMENTS

593,036	A	*	11/1897	Stuparich	40/768
D40,403	S	*	12/1909	Cole	D19/26
D108,339	S	*	2/1938	Mitchell	D6/300
D168,325	S	*	12/1952	Abrams	D6/300
4,467,543	A	*	8/1984	Townsend	40/624
D311,219	S	*	10/1990	Bergh	D19/26
5,201,133	A	*	4/1993	Best et al.	40/773
D388,077	S	*	12/1997	Starck	D14/126
D401,518	S	*	11/1998	Rosario	D10/63
D416,137	S		11/1999	Messersmith		
D448,421	S		9/2001	Scoma		

6,775,935	B1	*	8/2004	Cohen et al.	40/600
D517,329	S	*	3/2006	Ortiz	D6/300
D538,725	S	*	3/2007	Eskandry	D12/203
D547,074	S	*	7/2007	Snuggs	D6/300
D548,981	S	*	8/2007	Ernetoft	D6/300
D549,783	S		8/2007	Beno		
D573,075	S	*	7/2008	Eskandry	D12/203
D573,188	S		7/2008	Donat		
D581,459	S	*	11/2008	Stephenson	D19/33
RE41,978	E	*	12/2010	Mischel et al.	D6/308

* cited by examiner

Primary Examiner — Elizabeth Albert

(74) *Attorney, Agent, or Firm* — Andrew W. Chu; Craft Chu PLLC

(57) **CLAIM**

The ornamental design for a display folder board, as shown and described.

DESCRIPTION

FIG. 1 is an upper perspective view of the display folder board showing my design.

FIG. 2 is a front elevation view thereof;

FIG. 3 is a back elevation view thereof;

FIG. 4 is a top plan view thereof;

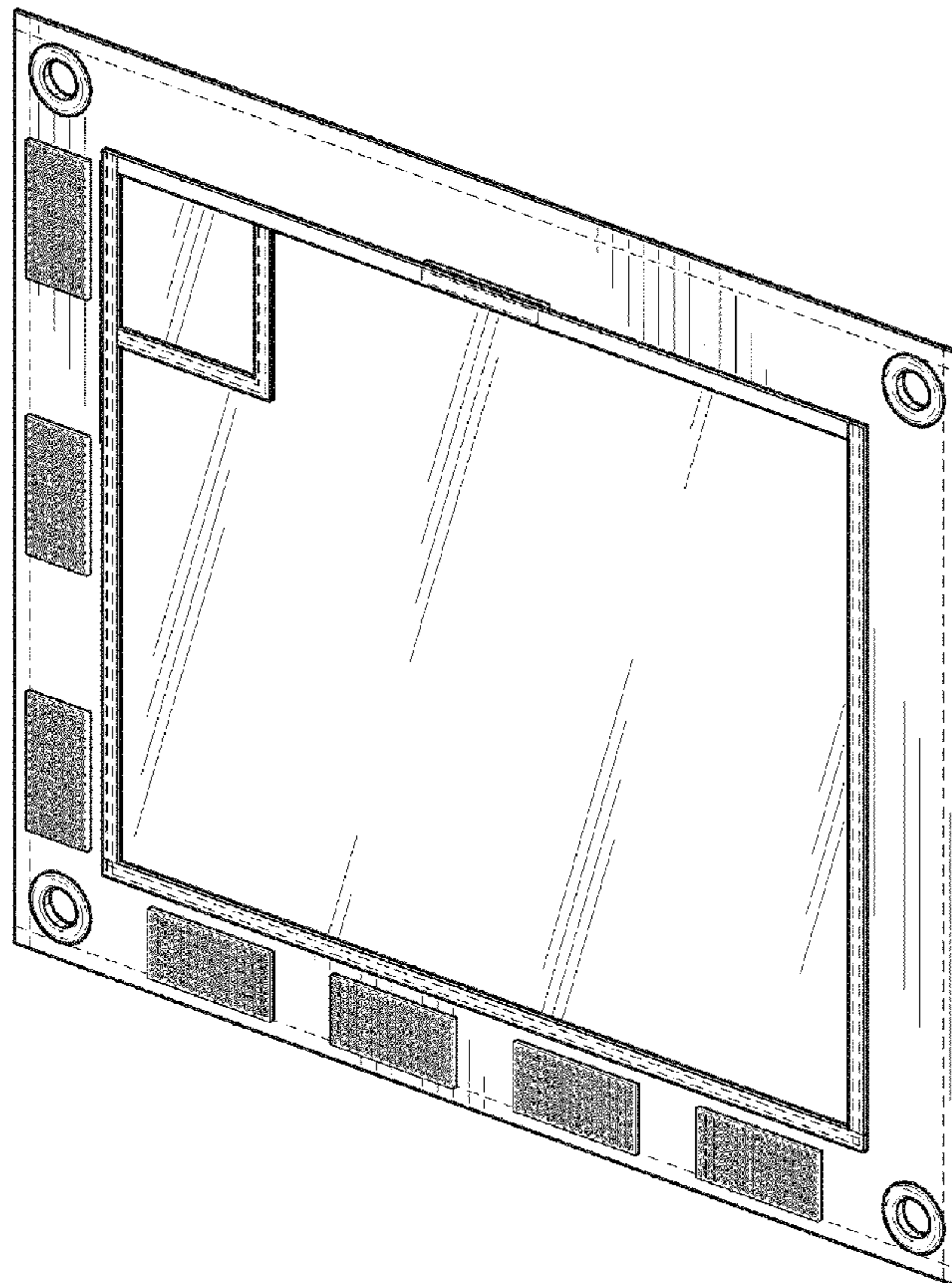
FIG. 5 is a bottom plan view thereof;

FIG. 6 is a side elevation view thereof; and,

FIG. 7 is an opposite side view thereof.

The broken lines in FIGS. 1-3 represent stitching and form no part of the claimed design.

1 Claim, 2 Drawing Sheets



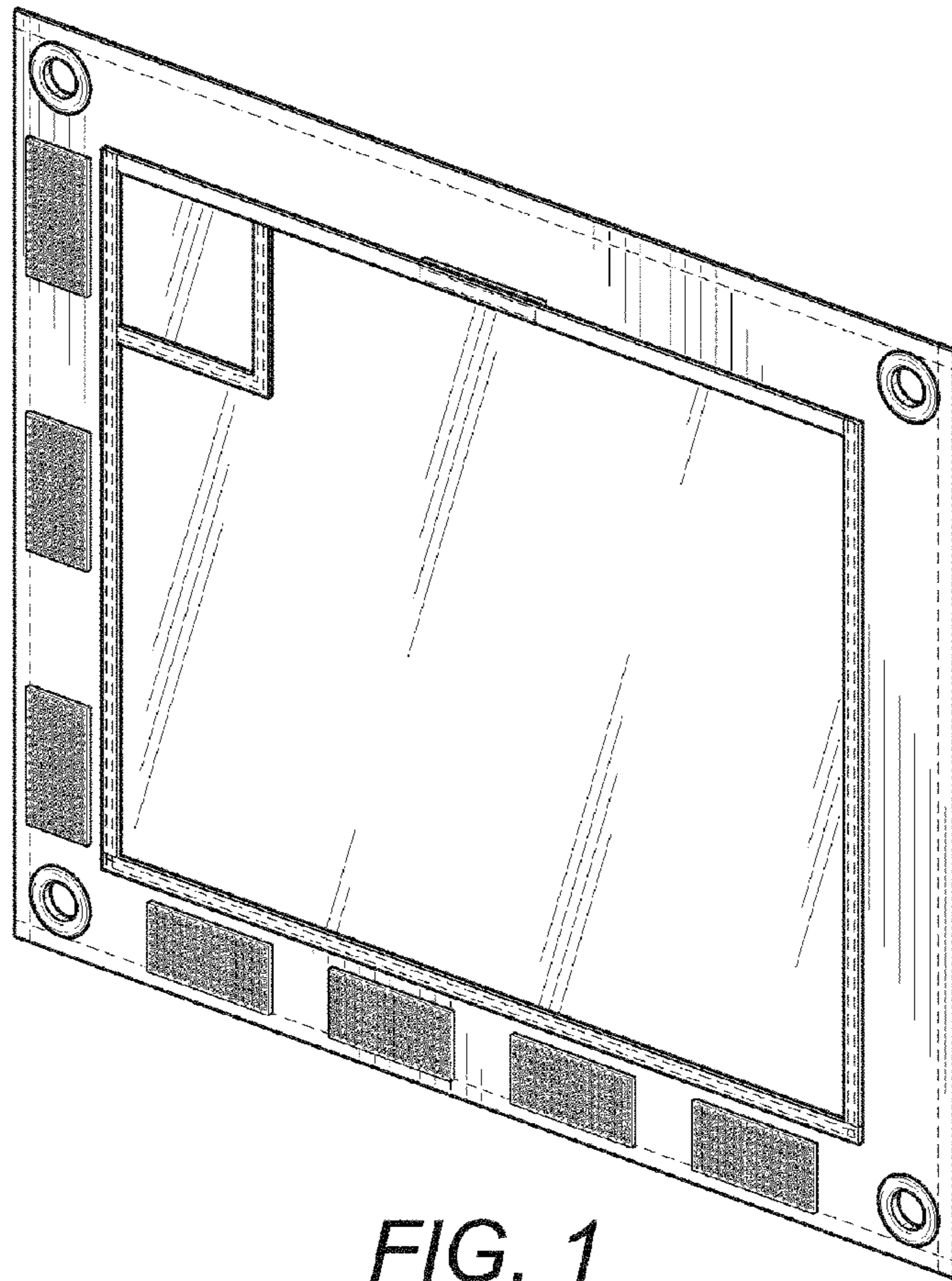


FIG. 1

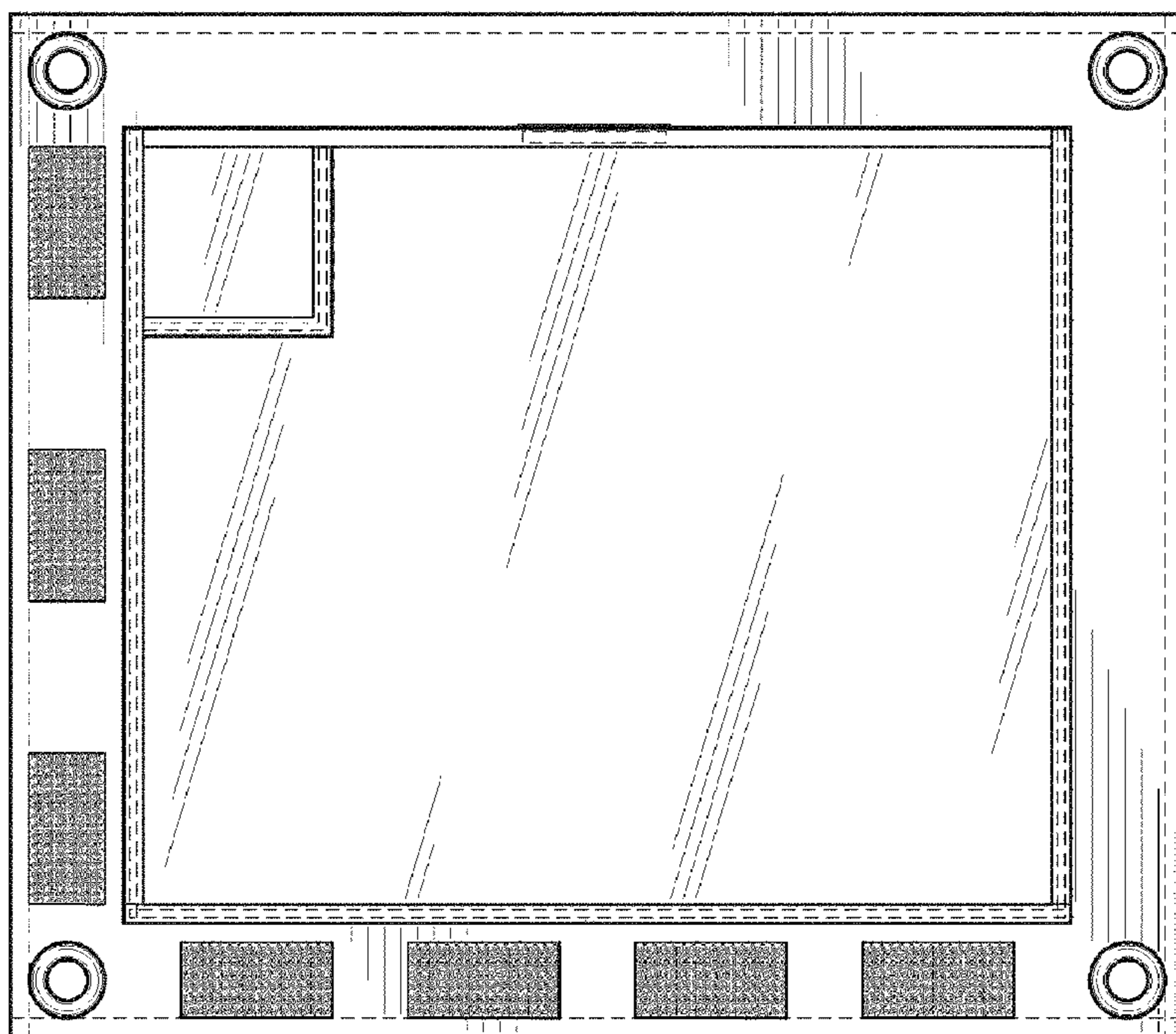


FIG. 2

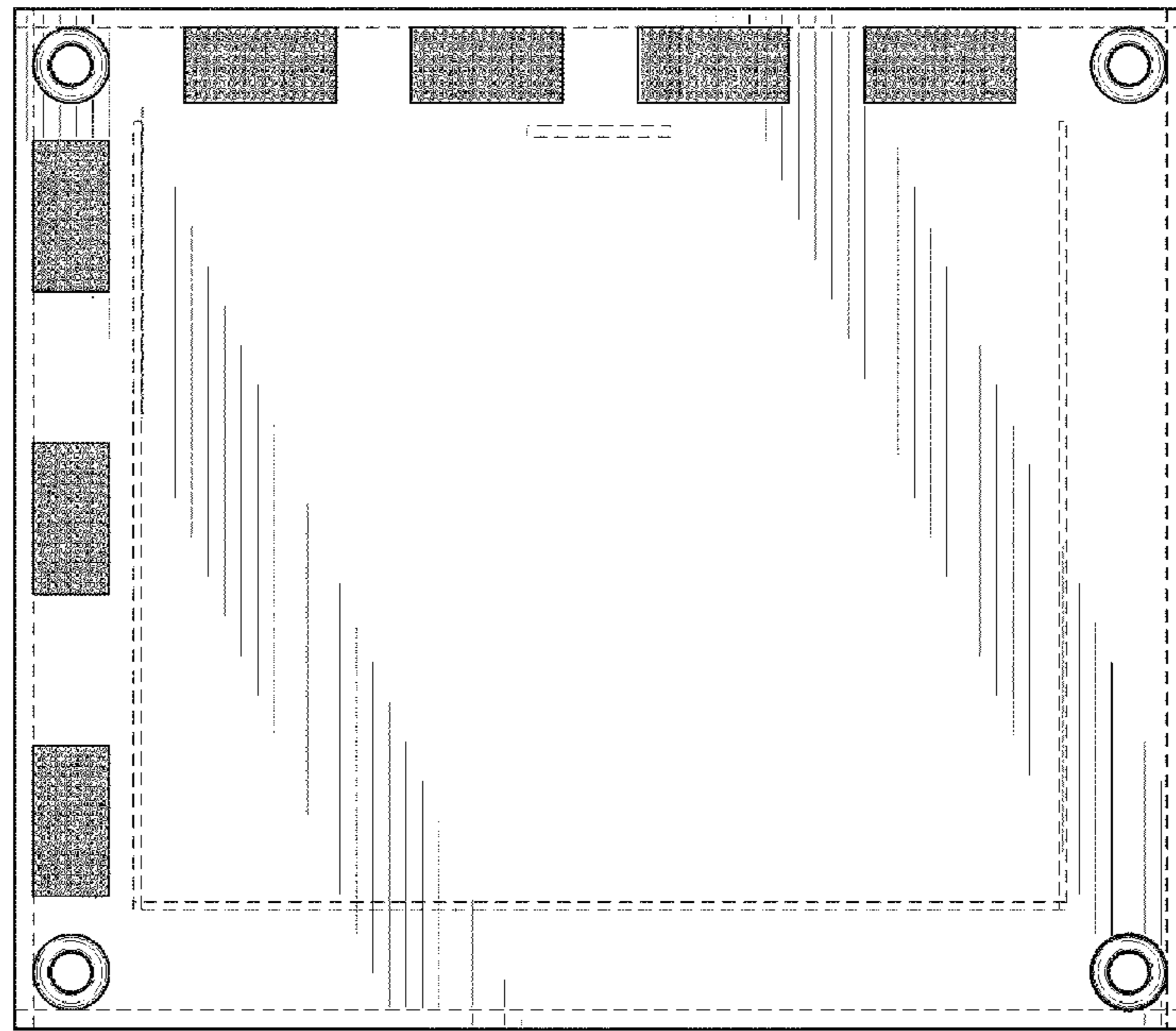


FIG. 3



FIG. 6



FIG. 4

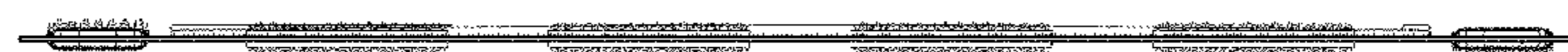


FIG. 5



FIG. 7