



US00D643877S

(12) **United States Design Patent**
Soetewey

(10) **Patent No.:** **US D643,877 S**

(45) **Date of Patent:** **** Aug. 23, 2011**

(54) **BALLPOINT PEN**

(75) **Inventor:** **Lode Soetewey, Paris (FR)**

(73) **Assignee:** **Kabushiki Kaisha Pilot Corporation,**
Tokyo (JP)

(**) **Term:** **14 Years**

(21) **Appl. No.:** **29/366,338**

(22) **Filed:** **Jul. 23, 2010**

(30) **Foreign Application Priority Data**

Jan. 26, 2010 (JP) 2010-001696

(51) **LOC (9) Cl.** **19-06**

(52) **U.S. Cl.** **D19/49**

(58) **Field of Classification Search** D19/35,
D19/36, 41-51, 54-58; 24/11 F, 11 P, 11 R;
401/52, 99, 100, 104-109, 192, 195, 196
See application file for complete search history.

(56) **References Cited**

U.S. PATENT DOCUMENTS

D216,844 S *	3/1970	Shimada	D19/49
D269,189 S *	5/1983	Sakaoka	D19/48
D311,494 S *	10/1990	Zinnbauer	D9/448
D346,401 S *	4/1994	Sakuno	D19/48
D404,070 S *	1/1999	Hasegawa	D19/51
D451,545 S *	12/2001	Tsuchikura	D19/36
D453,790 S *	2/2002	Tsuchikura	D19/36
D472,577 S *	4/2003	Sakuno et al.	D19/51
D478,932 S *	8/2003	Moon	D19/51

D506,504 S *	6/2005	Nakazawa et al.	D19/49
D511,690 S *	11/2005	Garcia et al.	D9/682
D525,302 S *	7/2006	Togawa	D19/51
D542,843 S *	5/2007	Qiu	D19/50
D551,710 S *	9/2007	Tsuchida	D19/51
D566,176 S *	4/2008	Rolion et al.	D19/46
D579,978 S *	11/2008	Yu et al.	D19/48
D596,233 S *	7/2009	Kusaba	D19/49
D603,897 S *	11/2009	Nakazawa	D19/49
D616,497 S *	5/2010	Shiina	D19/48
D624,591 S *	9/2010	Koehler	D19/46
D626,177 S *	10/2010	Koehler	D19/54

* cited by examiner

Primary Examiner — Elizabeth Albert

(74) *Attorney, Agent, or Firm* — Sughrue Mion, PLLC

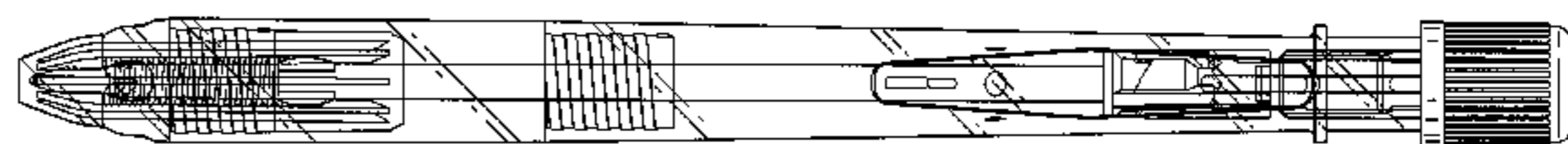
(57) **CLAIM**

The ornamental design for a ballpoint pen, as shown and described.

DESCRIPTION

FIG. 1 is a perspective view of front, top plan and left side of a ballpoint pen showing our new design;
FIG. 2 is a front view thereof;
FIG. 3 is a rear view thereof;
FIG. 4 is a top plan view thereof;
FIG. 5 is a bottom view thereof;
FIG. 6 is a left side view thereof;
FIG. 7 is a right side view thereof; and,
FIG. 8 is a front view thereof, with the writing tip projecting.

1 Claim, 3 Drawing Sheets



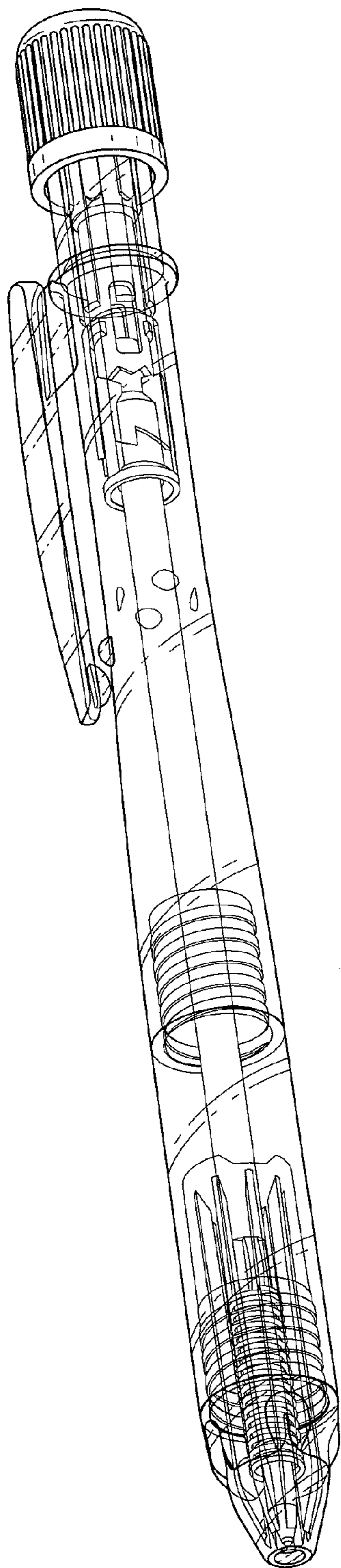


FIG. 1

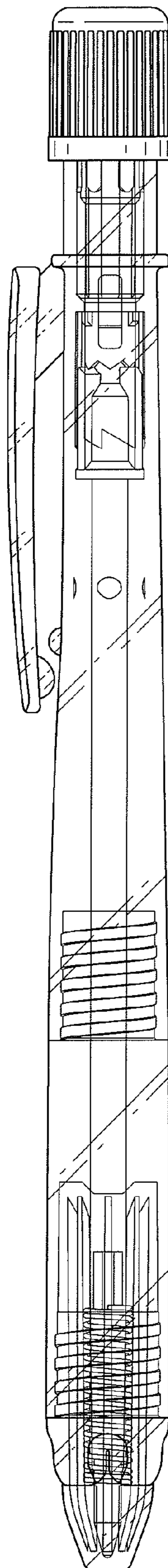


FIG. 2

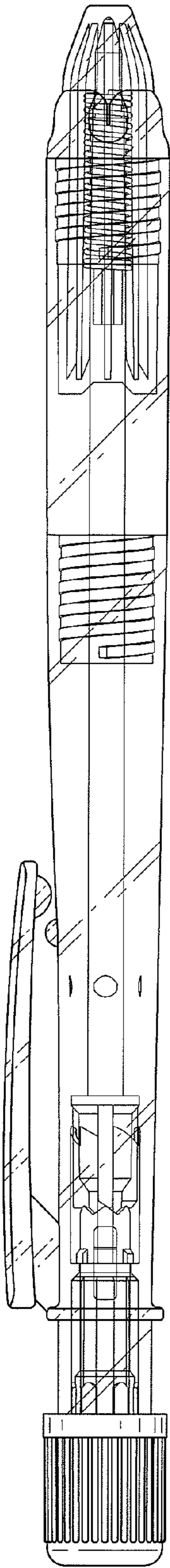


FIG. 3

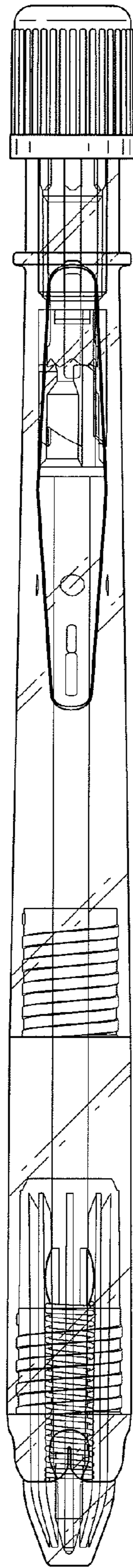


FIG. 4

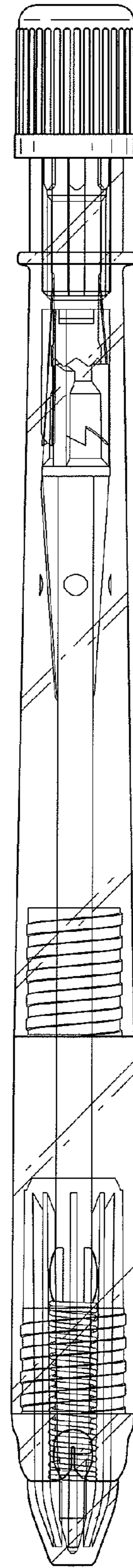


FIG. 5

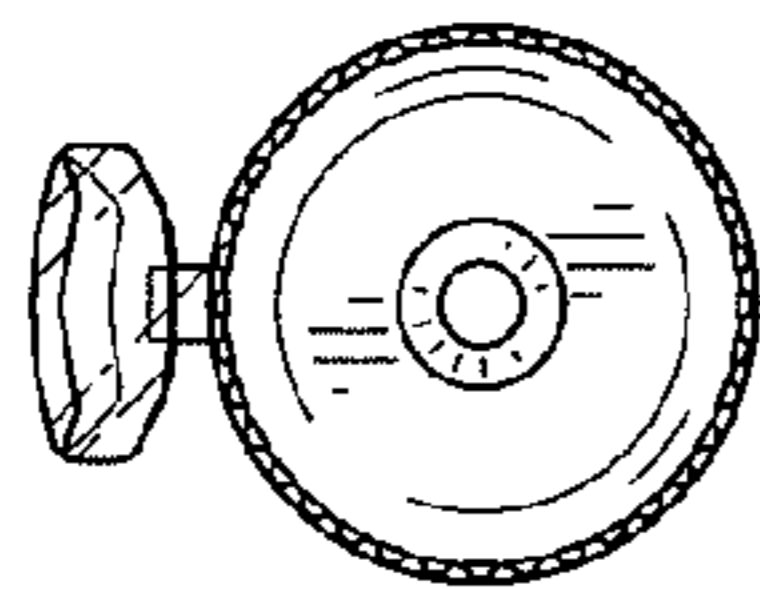


FIG. 6

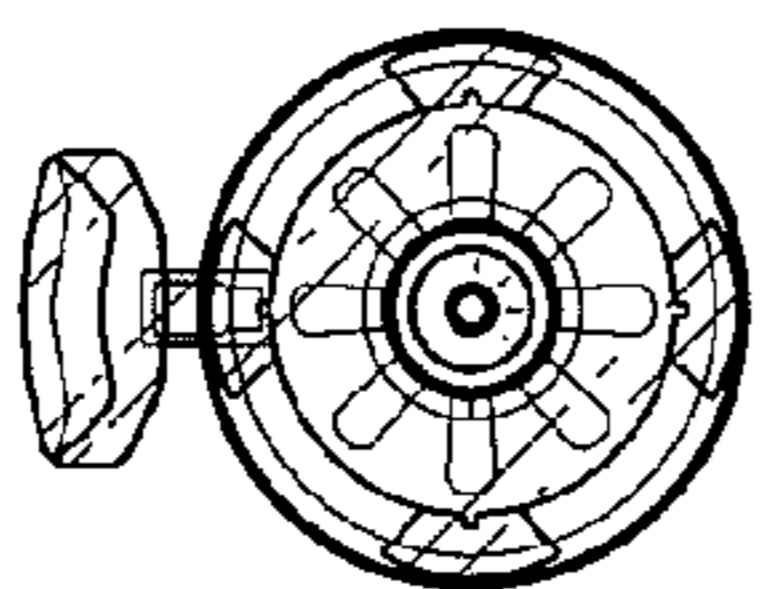


FIG. 7

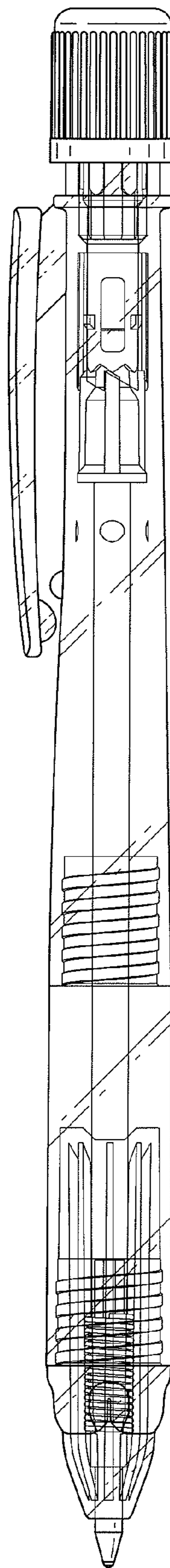


FIG. 8