



US00D643876S

(12) **United States Design Patent**
Miranda et al.

(10) **Patent No.:** **US D643,876 S**
(45) **Date of Patent:** **** Aug. 23, 2011**

(54) **HINGED PAPER VOTING BALLOT**

(75) Inventors: **Elmore Miranda**, Everett, WA (US);
Lester L. Wright, Lynnwood, WA (US);
Jerry Wagoner, Everett, WA (US);
Brian Duffy, Mukilteo, WA (US);
Randall Tweed, Mountlake Terrace, WA
(US); **Darrin Caldwell**, Everett, WA
(US); **Dale Chesley**, Everett, WA (US);
James Bower, Everett, WA (US);
Donnie Richardson, Everett, WA (US);
Eddie Bravo, Everett, WA (US);
Michael Madison, Everett, WA (US);
Archie Malit, Everett, WA (US);
Chansamone Thippakesone, Everett,
WA (US)

(73) Assignee: **Premier Election Solutions, Inc.**,
Omaha, NE (US)

(**) Term: **14 Years**

(21) Appl. No.: **29/282,159**

(22) Filed: **Jul. 12, 2007**

(51) **LOC (9) Cl.** **19-01**

(52) **U.S. Cl.** **D19/1**

(58) **Field of Classification Search** D19/1-34,
D19/100; 40/124.01-124.15, 672, 661, 726,
40/776, 617, 633, 360, 630, 638, 675; 229/72,
229/92, 92.1, 300-303; 428/43, 121; 283/72,
283/74, 75, 103, 105, 106, 71, 81; 206/493;
D21/385; D20/10, 22, 27, 40, 42, 11; D14/435-437;
D5/1-4, 60, 61, 99; 271/117; 53/477; 297/229;
D99/99

See application file for complete search history.

(56) **References Cited**

U.S. PATENT DOCUMENTS

3,895,128 A * 7/1975 Gaiser 428/43
(Continued)

OTHER PUBLICATIONS

Examiners Non-Final Rejection in co-pending USPTO U.S. Appl.
No. 11/820,787 mailed May 1, 2008.

(Continued)

Primary Examiner — David Muller

(74) *Attorney, Agent, or Firm* — Stinson Morrison Hecker
LLP

(57) **CLAIM**

The ornamental design for a hinged paper voting ballot, as
shown and described.

DESCRIPTION

FIG. 1 is a front side plan view showing our new design with
two parallel sets of spaced apart horizontal lines located in the
interior area of the claimed design, which spaced apart hori-
zontal lines correspond to individual perforations extending
through the hinged paper voting ballot between the front side
and the back side of the hinged paper voting ballot. The
rectangles on the front and back of the ballot in FIGS. 1, 2, 4,
and 5 are shown as black.

FIG. 2 is a back side plan view thereof.

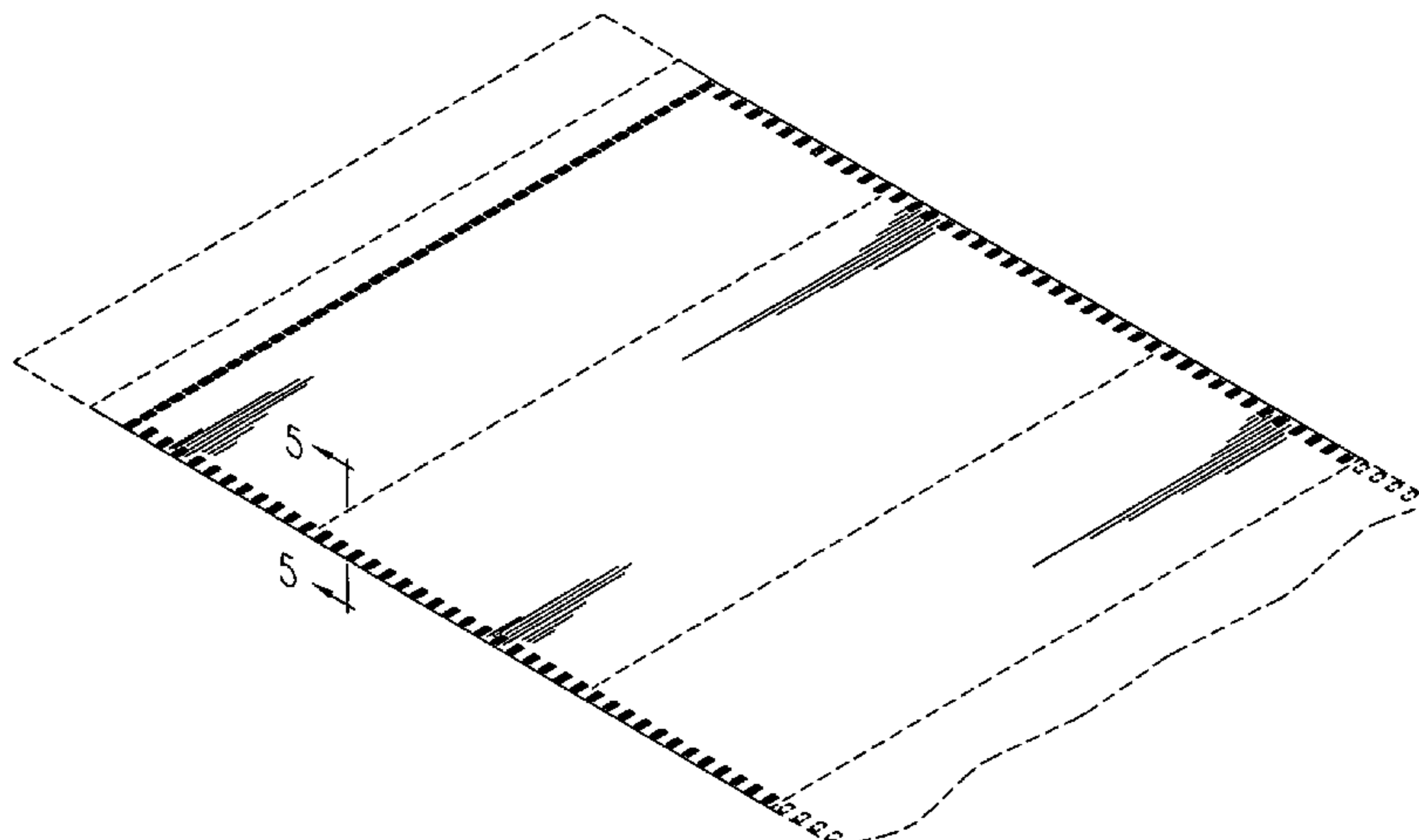
FIG. 3 is a left side view thereof.

FIG. 4 is a perspective view thereof; and,

FIG. 5 is an enlarged perspective cross-sectional view at the
location of two of the perforations through the hinged paper
voting ballot at line 5—5 in FIG. 4, which two perforations
have different lengths.

The broken lines shown at the top and bottom of the hinged
paper voting ballot in FIGS. 1-4, adjacent the shaded areas,
represent the boundaries of the claimed design, while the
other broken lines at the top and bottom of the hinged paper
voting ballot depict use and environment only, form no part of
the claimed design, and illustrate that the design may be
applied to paper voting ballots with varying lengths. The
broken lines shown along the cross-section in FIG. 5 depict
use and environment only, form no part of the claimed design,
and represent the interior portions of the material comprising
the paper voting ballot. The broken lines showing the break-
away of the portion of the ballot in FIG. 5 form no part of the
claimed design.

1 Claim, 4 Drawing Sheets



U.S. PATENT DOCUMENTS

5,562,964	A *	10/1996	Jones	428/43
5,616,387	A *	4/1997	Augst et al.	428/43
5,702,127	A *	12/1997	Korondi, Jr.	283/81
6,027,780	A *	2/2000	Treleven et al.	428/43
6,033,751	A *	3/2000	Kline	428/43
6,139,932	A *	10/2000	Kline	428/43
6,464,120	B1 *	10/2002	Johnson et al.	428/43
6,495,238	B1 *	12/2002	Campbell	428/121
6,536,624	B2 *	3/2003	Johnson et al.	428/43
6,690,476	B1 *	2/2004	Hren	271/117
D534,583	S	1/2007	Wagoner et al.	
7,240,835	B2	7/2007	Brucker et al.	
7,387,335	B1 *	6/2008	Meek et al.	297/229
2004/0261373	A1 *	12/2004	Bowen et al.	53/477
2007/0248248	A1	10/2007	Brucker et al.	

OTHER PUBLICATIONS

Applicant's Amendment and Response to Non-Final Rejection in co-pending USPTO U.S. Appl. No. 11/820,787, filed Jul. 31, 2008.

Examiner's Non-Final Rejection in co-pending USPTO U.S. Appl. No. 11/820,787 mailed Dec. 9, 2008.

Applicant's Amendment and Response to Non-Final Rejection in co-pending USPTO U.S. Appl. No. 11/820,787, filed Apr. 9, 2009.

Examiner's Final Rejection in co-pending USPTO U.S. Appl. No. 11/820,787 mailed Aug. 4, 2009.

Applicant's Amendment and Response and Request for Continuing Examination to Final Rejection in co-pending USPTO U.S. Appl. No. 11/820,787, filed Nov. 6, 2009.

Examiner's Non-Final Rejection in co-pending USPTO U.S. Appl. No. 11/820,787 mailed Jan. 21, 2010.

Applicant's Amendment and Response to Non-Final Rejection in co-pending USPTO U.S. Appl. No. 11/820,787, filed Apr. 21, 2010.

Examiner's Final Rejection in co-pending USPTO U.S. Appl. No. 11/820,787 mailed Aug. 11, 2010.

* cited by examiner

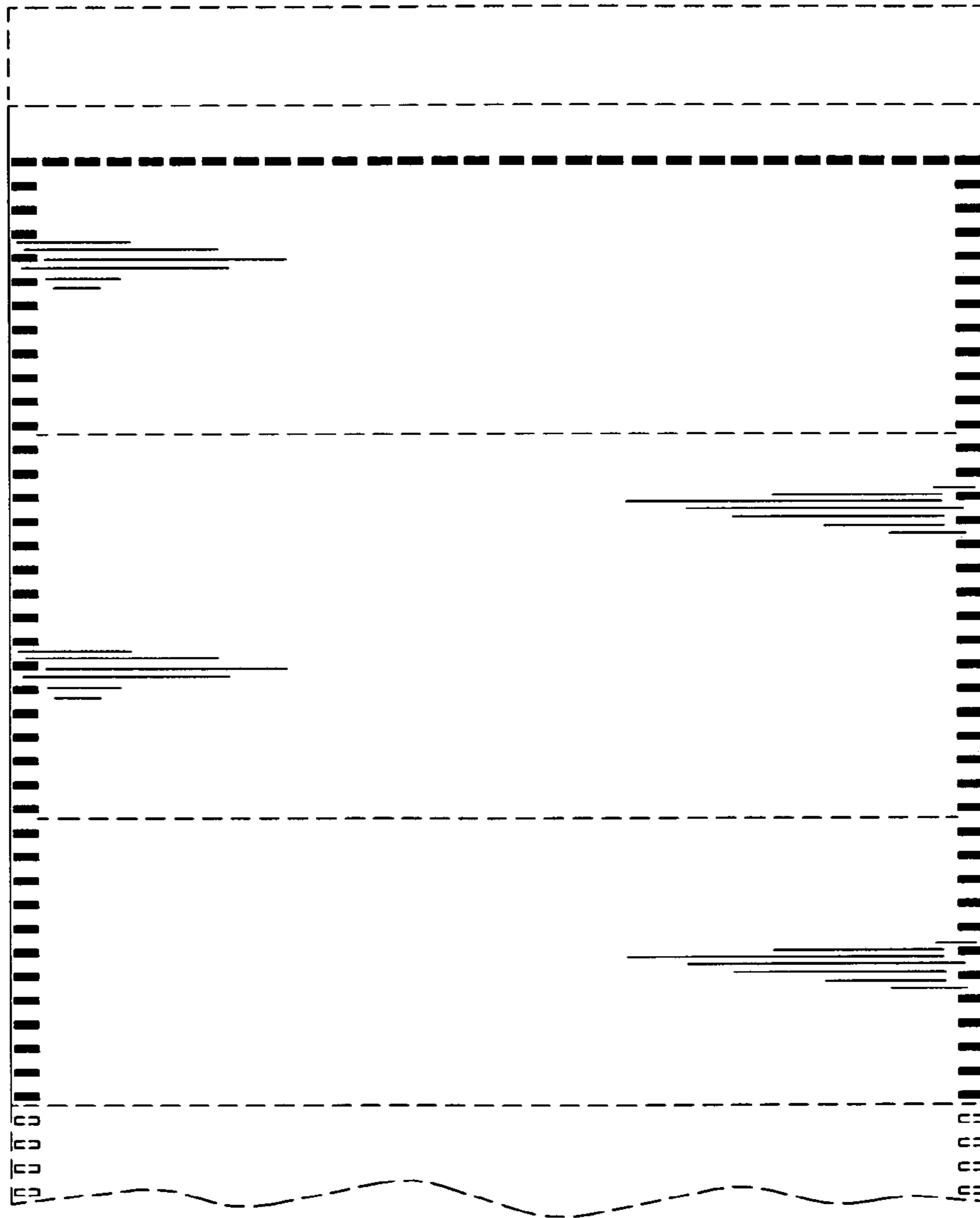


FIG. 1

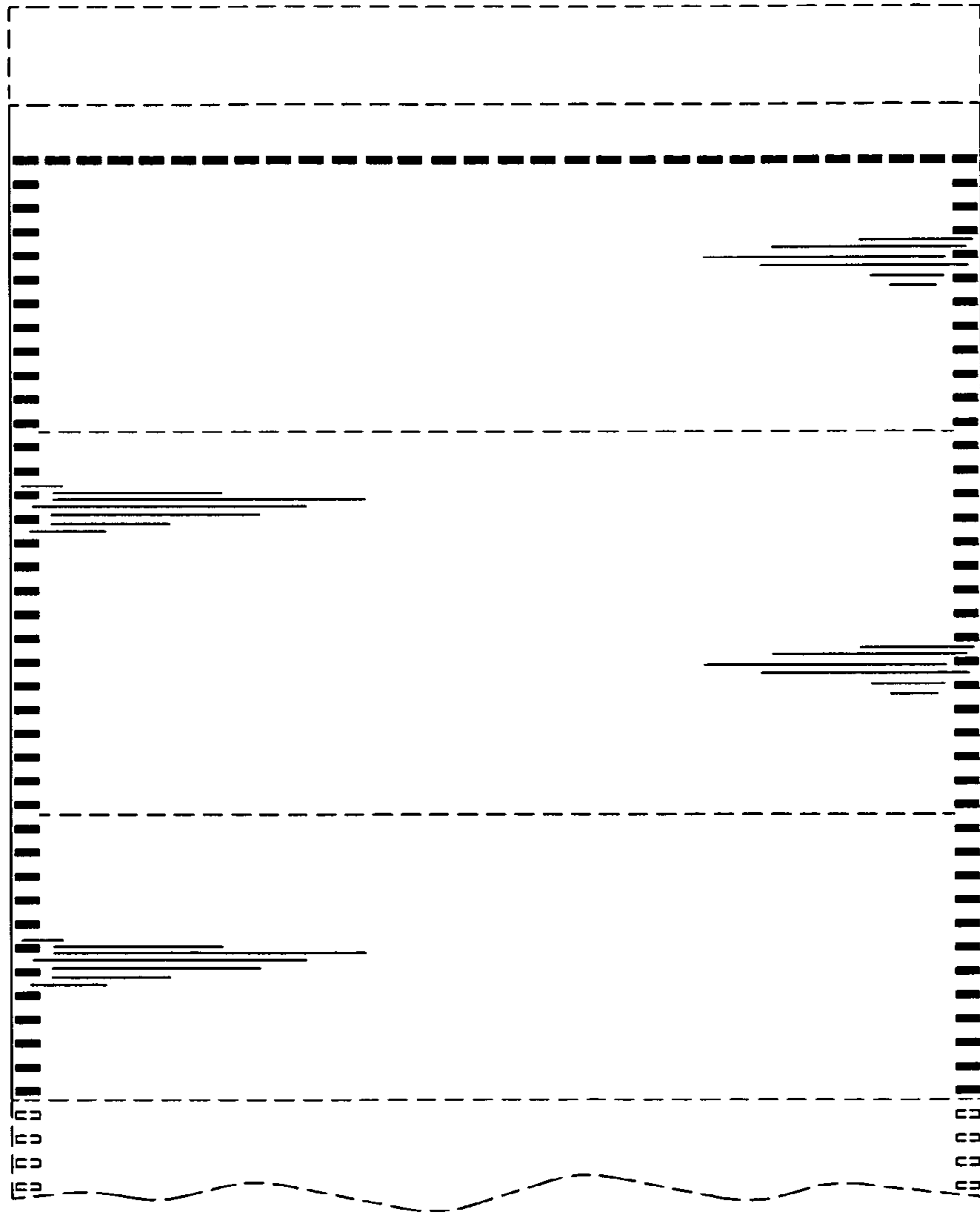


FIG. 2

FIG. 3

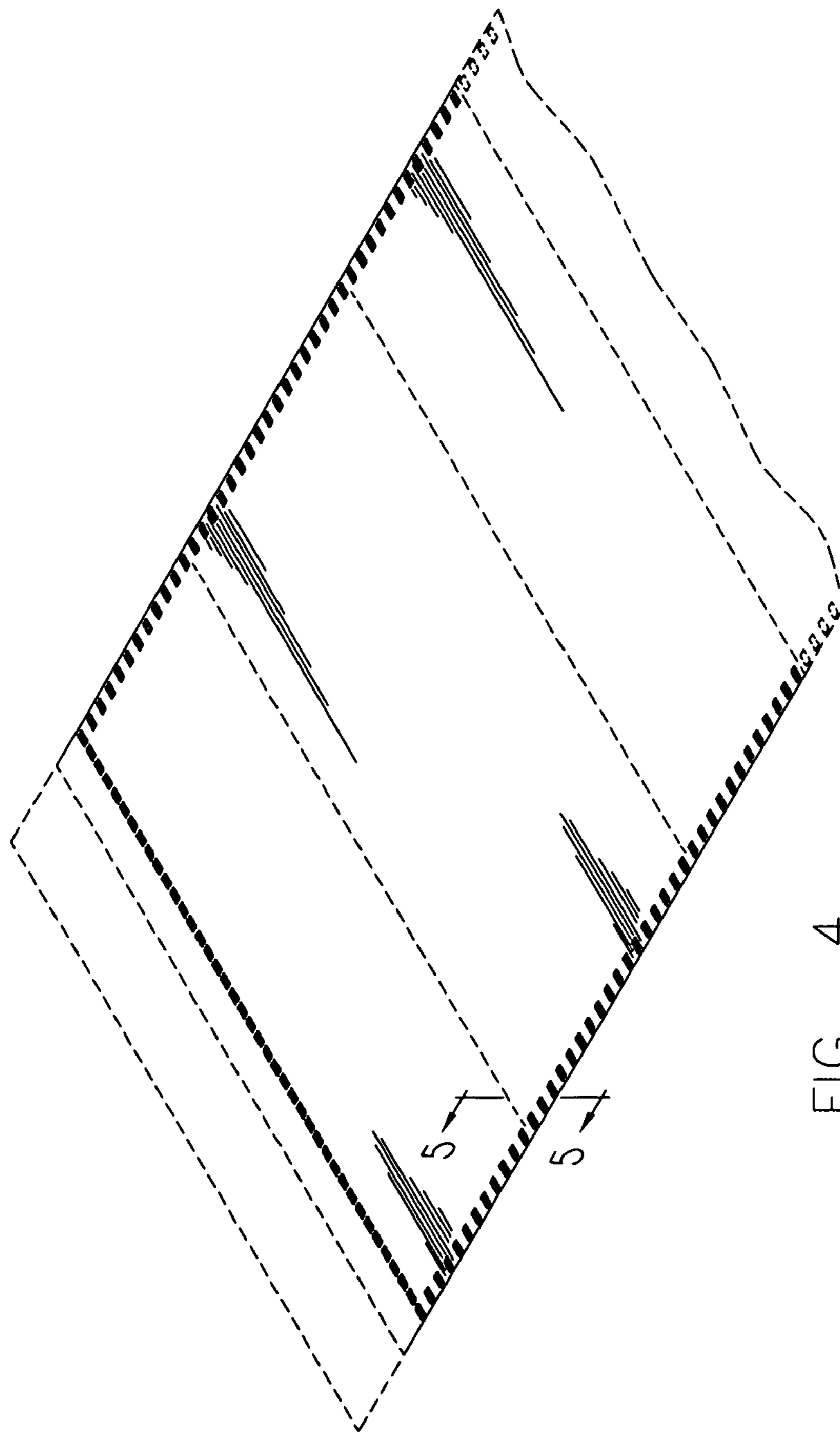


FIG. 4

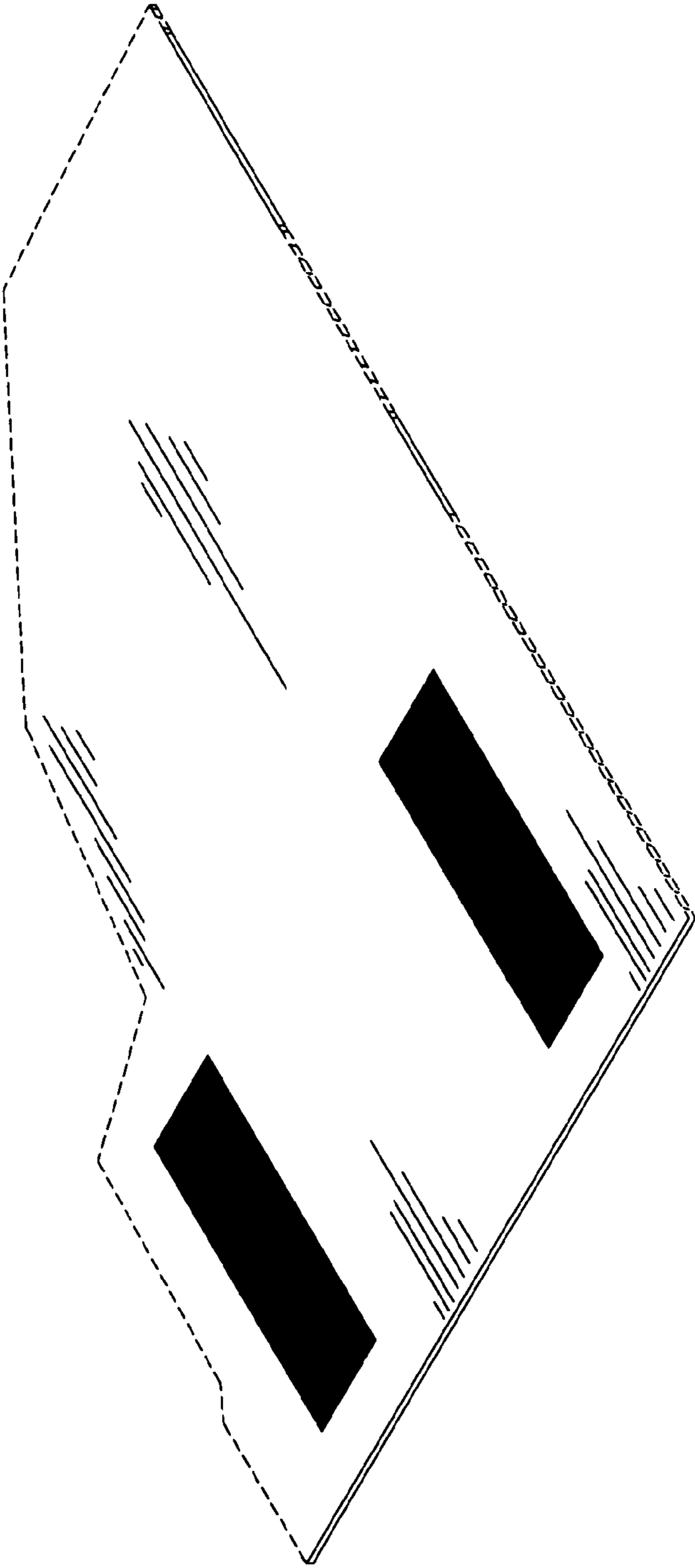


FIG. 5