



US00D643870S

(12) **United States Design Patent**
Woodland et al.

(10) **Patent No.:** **US D643,870 S**
(45) **Date of Patent:** **** Aug. 23, 2011**

(54) **ADJUSTABLE BRIDGE FOR A STRINGED INSTRUMENT**

(76) Inventors: **John Woodland**, Minneapolis, MN (US); **Mario Costello**, St. Paul, MN (US)

(**) Term: **14 Years**

(21) Appl. No.: **29/314,781**

(22) Filed: **Apr. 29, 2009**

(51) **LOC (9) Cl.** **17-03**

(52) **U.S. Cl.** **D17/21**

(58) **Field of Classification Search** D17/21, D17/14, 15, 20; 84/307, 299, 298, 267, 313, 84/312 R, 314 N, 453; 984/119-121
See application file for complete search history.

D324,693	S	3/1992	Rose	
5,208,410	A *	5/1993	Foley	84/307
5,285,710	A *	2/1994	Chapman	84/307
5,347,905	A *	9/1994	Cipriani	84/298
D355,433	S *	2/1995	Blanda, Jr.	D17/21
5,460,072	A	10/1995	Ferdon	
5,589,653	A *	12/1996	Rose	84/314 N
5,600,078	A *	2/1997	Edwards	84/307
5,939,653	A	8/1999	Chang	
6,613,968	B1 *	9/2003	Devereaux et al.	84/299
D496,385	S *	9/2004	Steinberger	D17/20
6,806,411	B1 *	10/2004	Allen	84/454
6,870,083	B2 *	3/2005	Turner	84/298
7,045,693	B2 *	5/2006	Rose et al.	84/298
7,071,398	B2 *	7/2006	Hannes	84/319
7,327,109	B1 *	2/2008	Hagen	318/298
D570,399	S *	6/2008	Quan	D17/21
2004/0134329	A1 *	7/2004	Turner	84/298
2005/0045018	A1 *	3/2005	Turner	84/298
2005/0150347	A1 *	7/2005	Hannes	84/297 R
2006/0236841	A1 *	10/2006	LeBlanc	84/298
2008/0072735	A1 *	3/2008	Kahler	84/313

* cited by examiner

(56) **References Cited**

U.S. PATENT DOCUMENTS

2,793,557	A *	5/1957	Stipetic	84/307
2,846,915	A *	8/1958	Daria	84/307
2,972,923	A *	2/1961	Fender	84/313
3,290,980	A	12/1966	Fender	
D236,212	S *	8/1975	Beigel et al.	D17/99
4,069,733	A	1/1978	Quan	
4,457,201	A *	7/1984	Storey	84/313
4,512,232	A *	4/1985	Schaller	84/313
D280,107	S *	8/1985	Tanaka et al.	D17/21
4,677,891	A *	7/1987	Gressett et al.	84/313
4,688,461	A *	8/1987	Stroh	84/298
4,690,027	A *	9/1987	Ido	84/298
4,724,737	A *	2/1988	Fender	84/313
4,779,506	A	10/1988	Takeuti	
4,882,967	A	11/1989	Fender	
4,955,275	A *	9/1990	Gunn	84/313
5,052,260	A *	10/1991	Cipriani	84/298

Primary Examiner — Mark Goodwin

(74) *Attorney, Agent, or Firm* — Michael J. Sullivan

(57) **CLAIM**

We claim the ornamental design for an adjustable bridge for a stringed instrument, substantially as shown and described.

DESCRIPTION

FIG. 1 is a perspective view of an adjustable bridge for a stringed instrument showing my design.

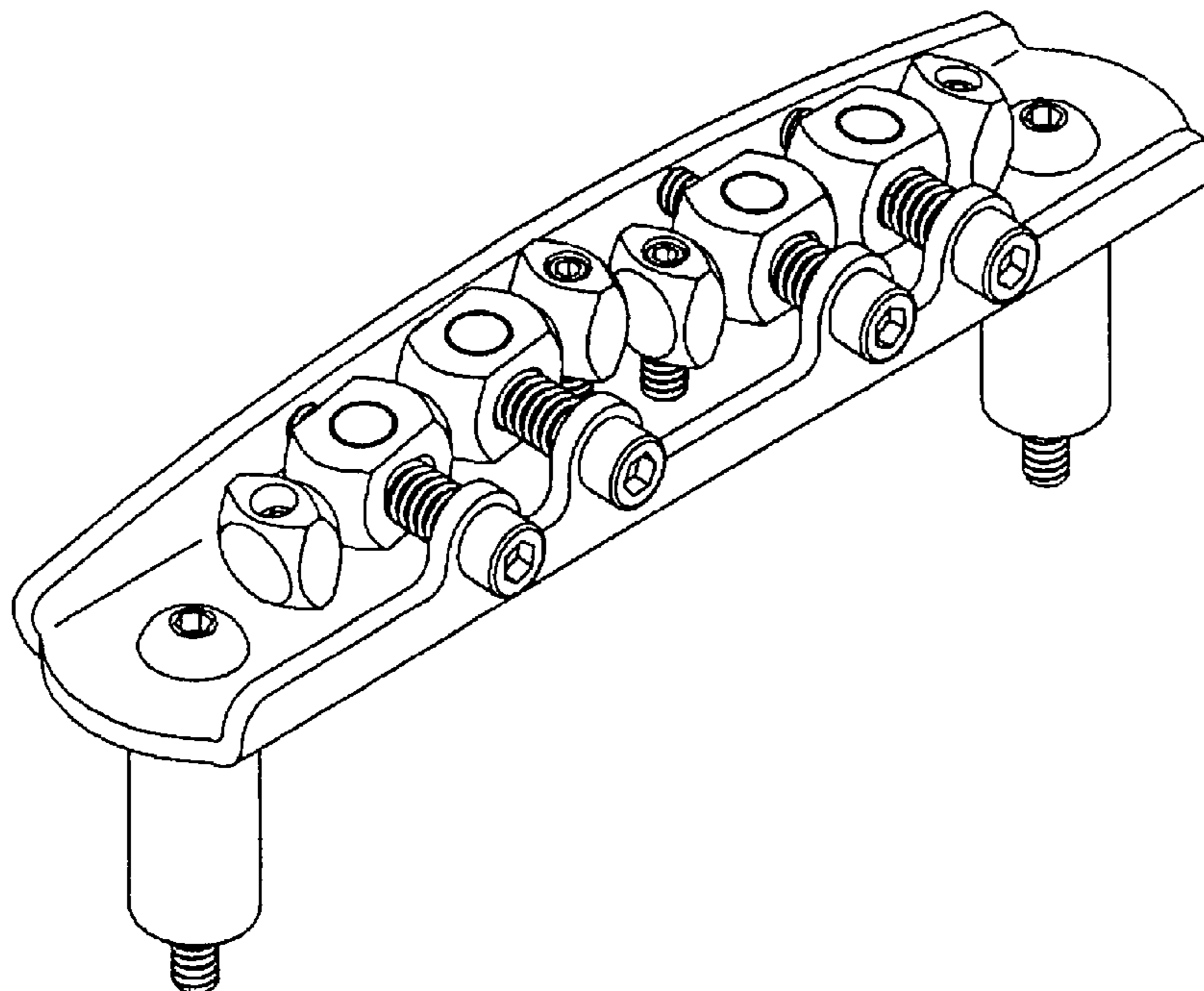
FIG. 2 is top plain view thereof.

FIG. 3 is a front view thereof.

FIG. 4 is a side view thereof; and,

FIG. 5 is a bottom view thereof.

1 Claim, 3 Drawing Sheets



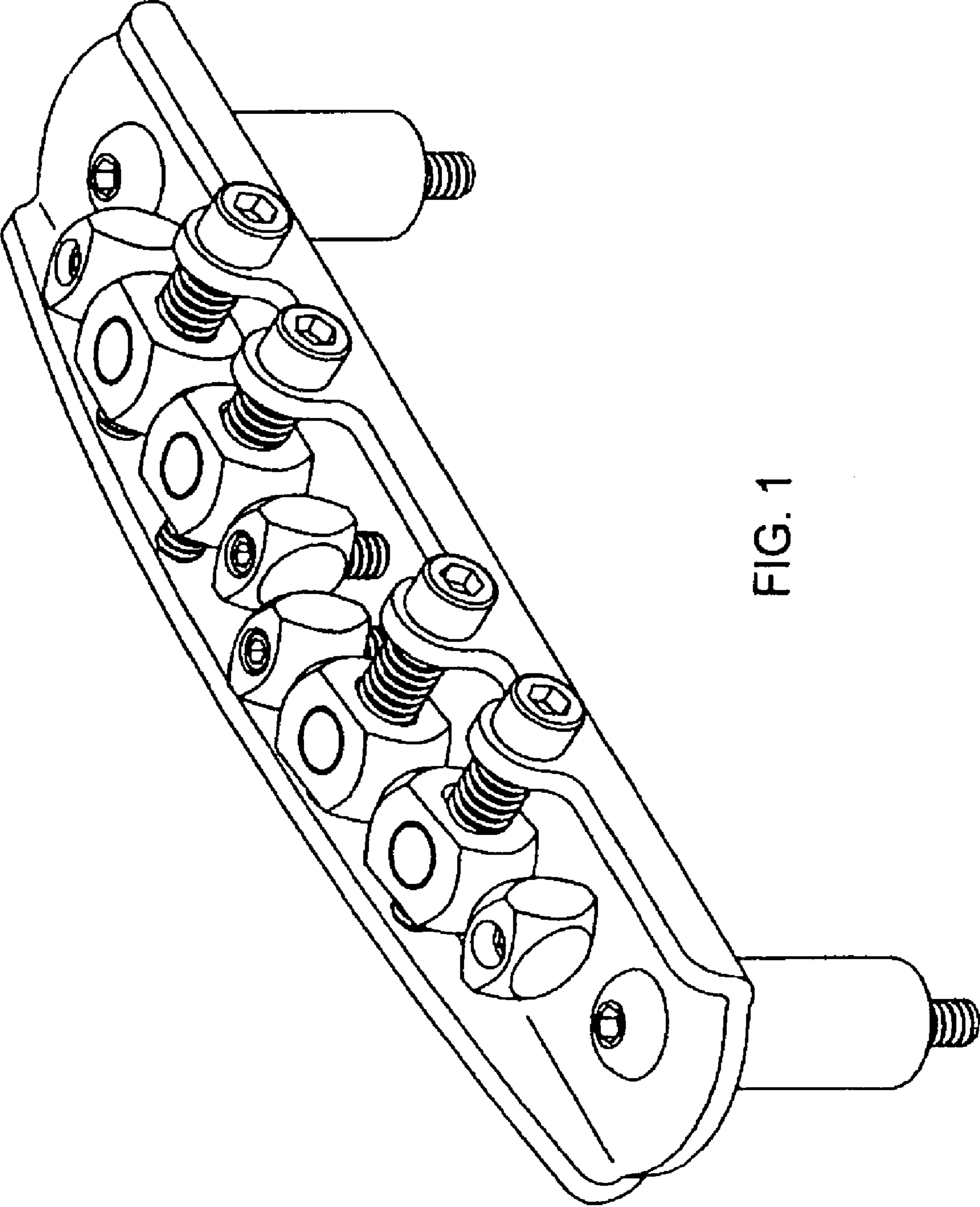


FIG. 1

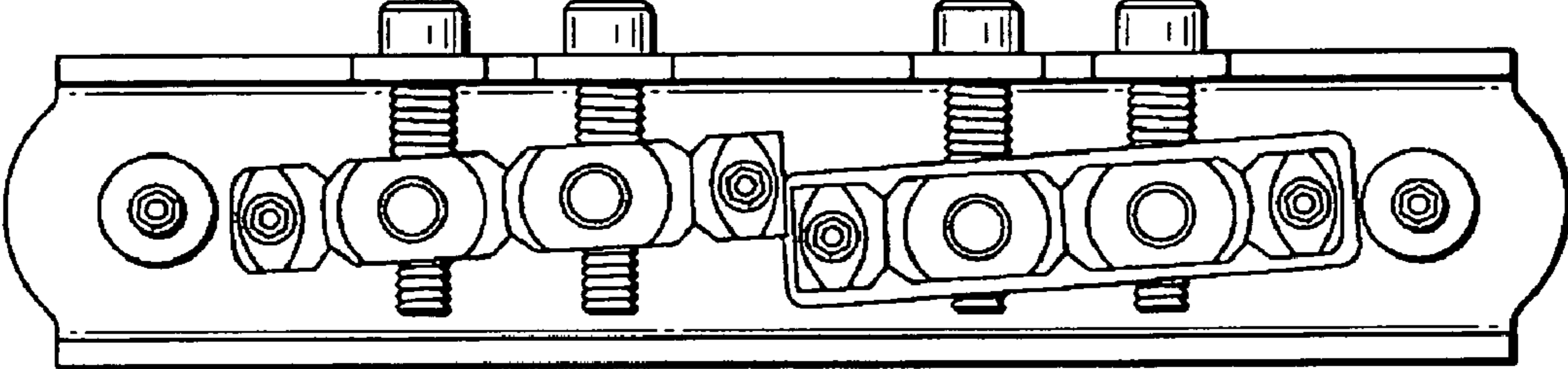


FIG. 2

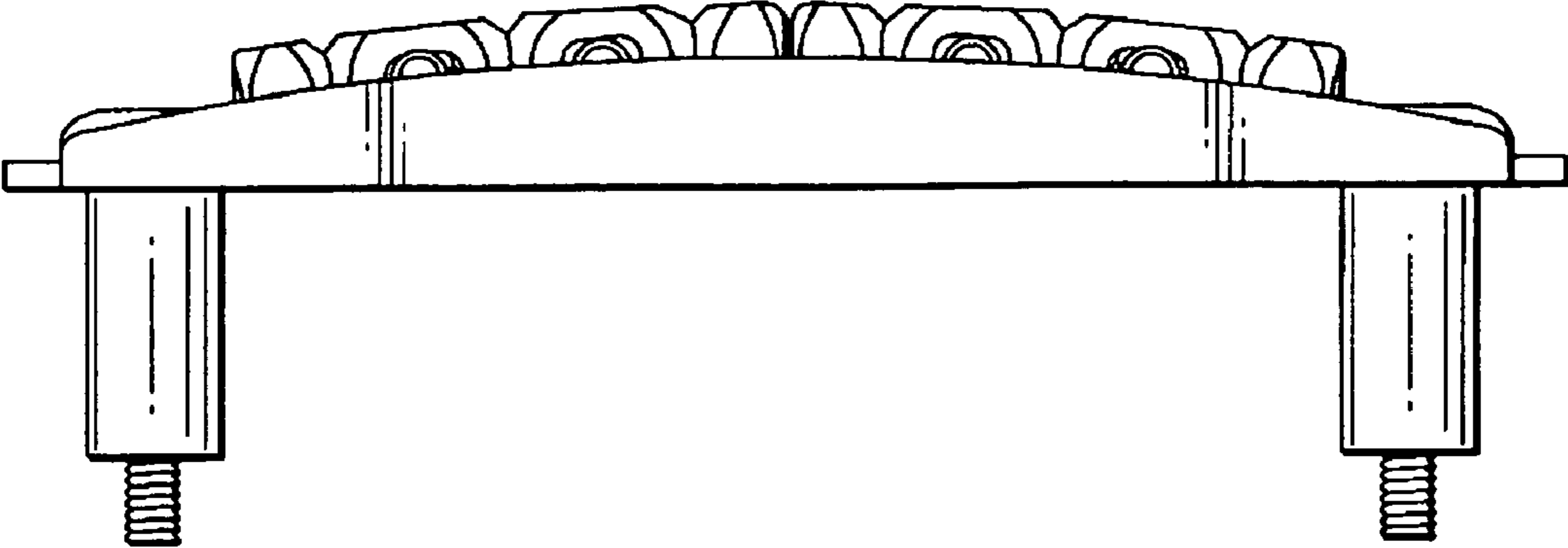


FIG. 3

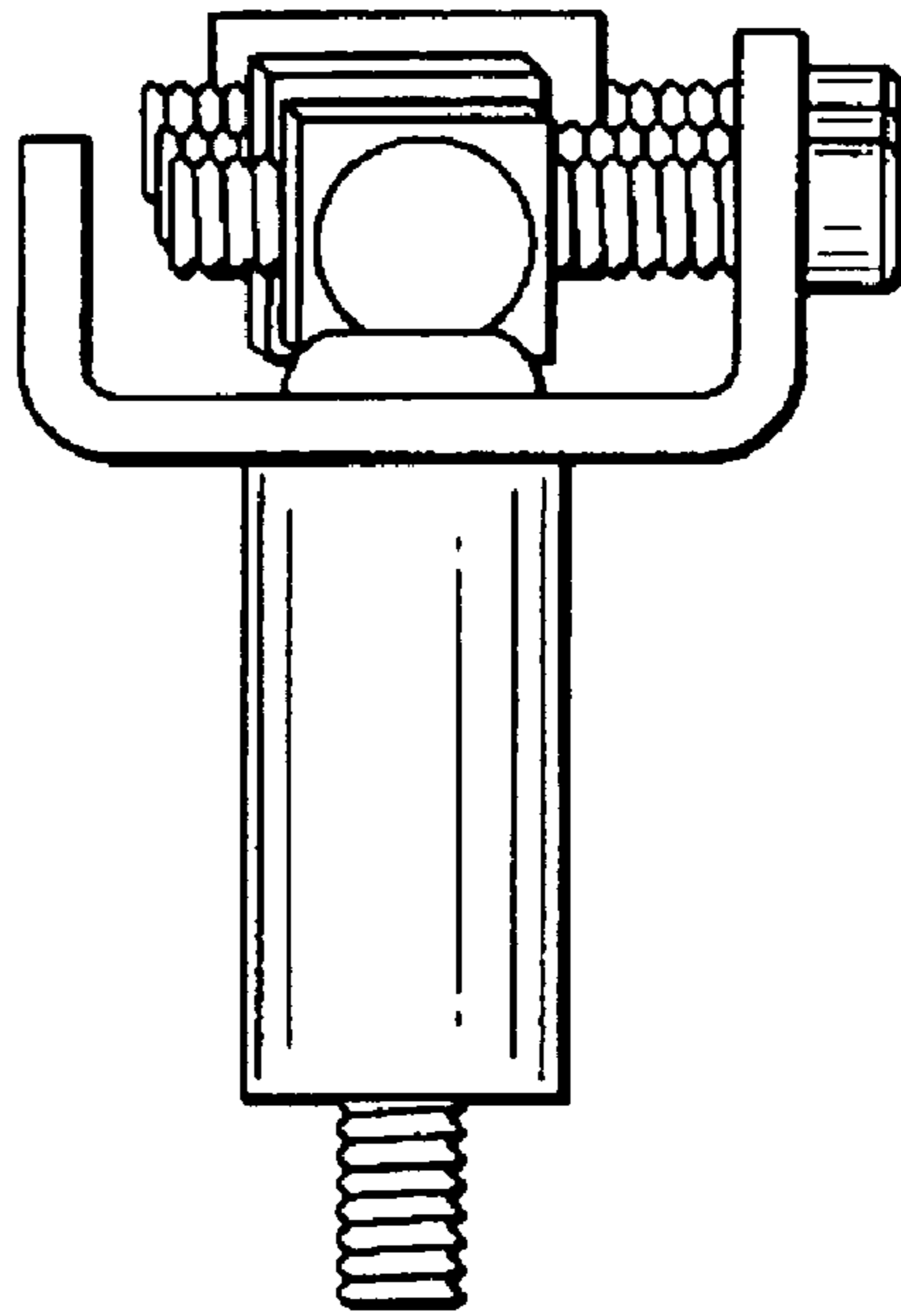


FIG. 4

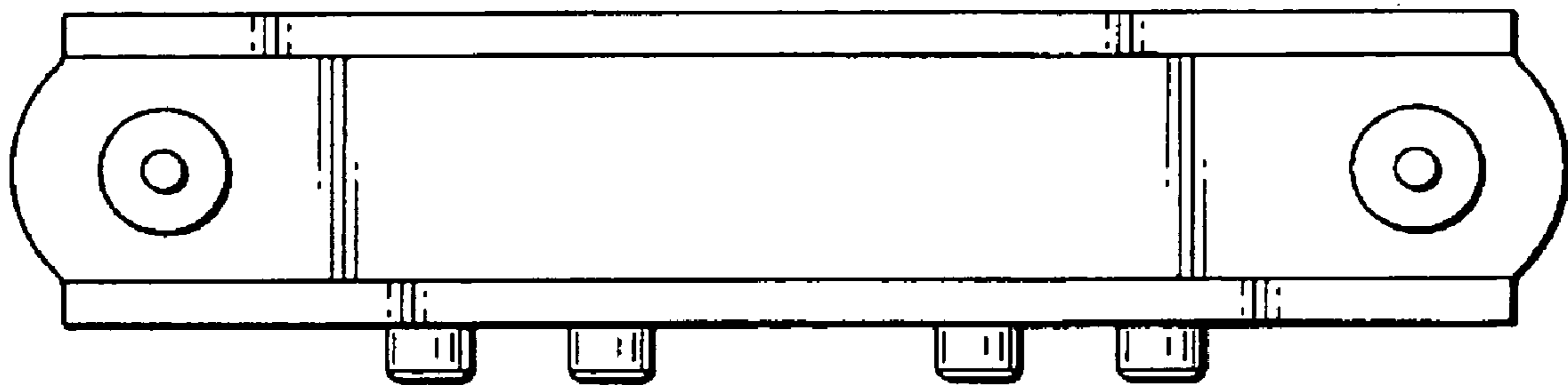


FIG. 5