



US00D643868S

(12) **United States Design Patent**  
**van Herpen**

(10) **Patent No.:** **US D643,868 S**

(45) **Date of Patent:** **\*\* Aug. 23, 2011**

(54) **CAMERA SUPPORT**

(76) **Inventor:** **Pieter van Herpen, Geneva (CH)**

(\*\*) **Term:** **14 Years**

(21) **Appl. No.:** **29/361,492**

(22) **Filed:** **May 12, 2010**

(51) **LOC (9) Cl.** ..... **16-05**

(52) **U.S. Cl.** ..... **D16/242**

(58) **Field of Classification Search** ..... D16/237,  
D16/242, 244, 245; 248/178.1, 187.1; 348/373,  
348/375; 352/243; 396/419, 428, 429  
See application file for complete search history.

(56) **References Cited**

**U.S. PATENT DOCUMENTS**

D399,230 S *	10/1998	Tenne	.....	D16/237
6,196,504 B1 *	3/2001	Lemke	.....	248/187.1
6,773,172 B1 *	8/2004	Johnson et al.	.....	396/428
7,077,582 B2 *	7/2006	Johnson	.....	396/428
7,431,247 B2 *	10/2008	Bobro	.....	248/178.1
D621,436 S *	8/2010	Chidester	.....	D16/245

\* cited by examiner

*Primary Examiner* — Adir Aronovich

(74) *Attorney, Agent, or Firm* — Rankin, Hill & Clark LLP

(57) **CLAIM**

The ornamental design for a camera support, as shown and described.

**DESCRIPTION**

FIG. 1 is a top, front and right perspective view of a camera support showing my new design;

FIG. 2 is a right side elevational view of the camera support of FIG. 1.

FIG. 3 is a left side elevational view of the camera support of FIG. 1.

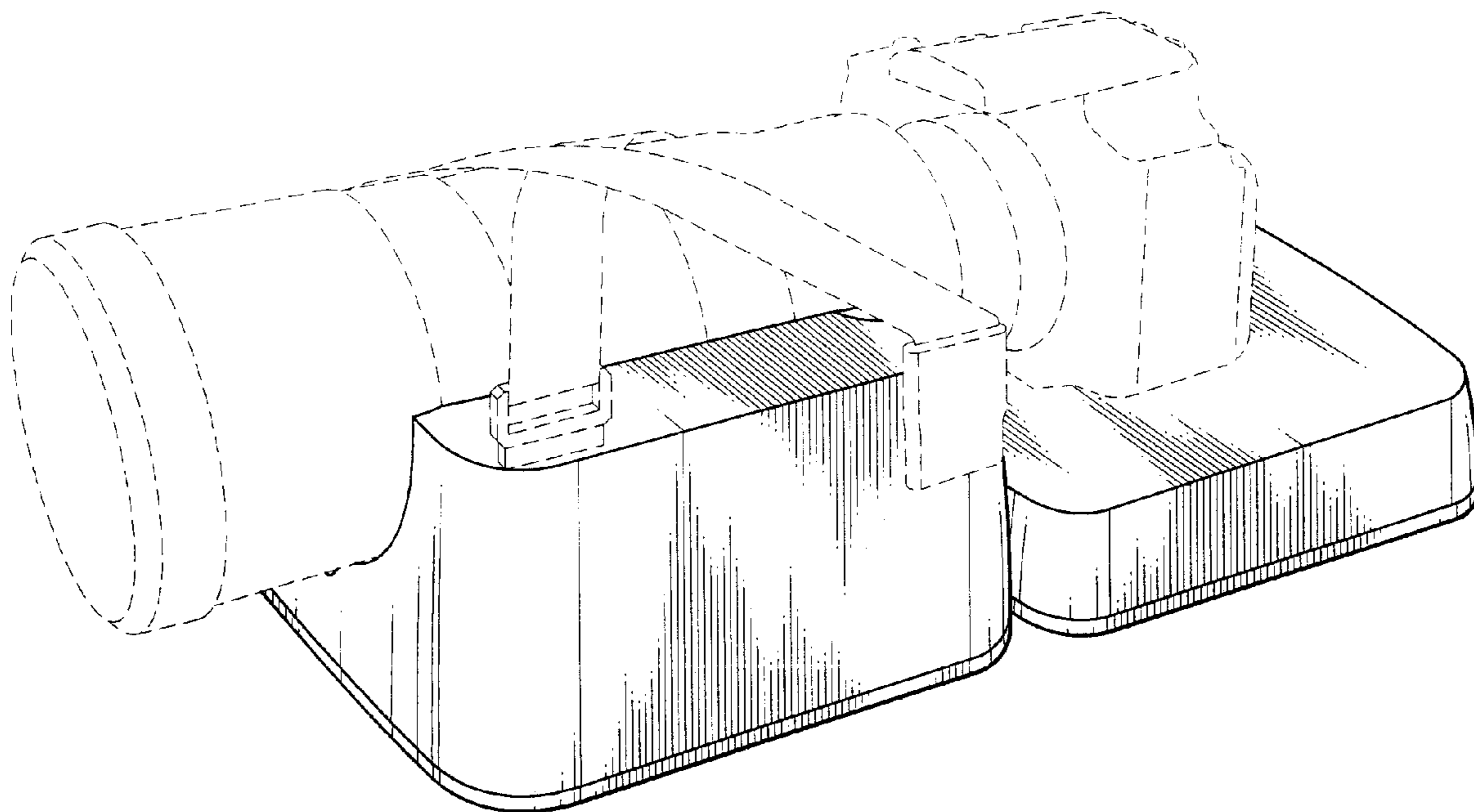
FIG. 4 is a front elevational view of the camera support of FIG. 1.

FIG. 5 is a rear elevational view of the camera support of FIG. 1.

FIG. 6 is a top plan view of the camera support of FIG. 1; and,

FIG. 7 is a bottom plan view of the camera support of FIG. 1. The dashed lines in FIGS. 1-7 are for illustrative purposes only showing environmental subject matter and form no part of the claimed design.

**1 Claim, 7 Drawing Sheets**



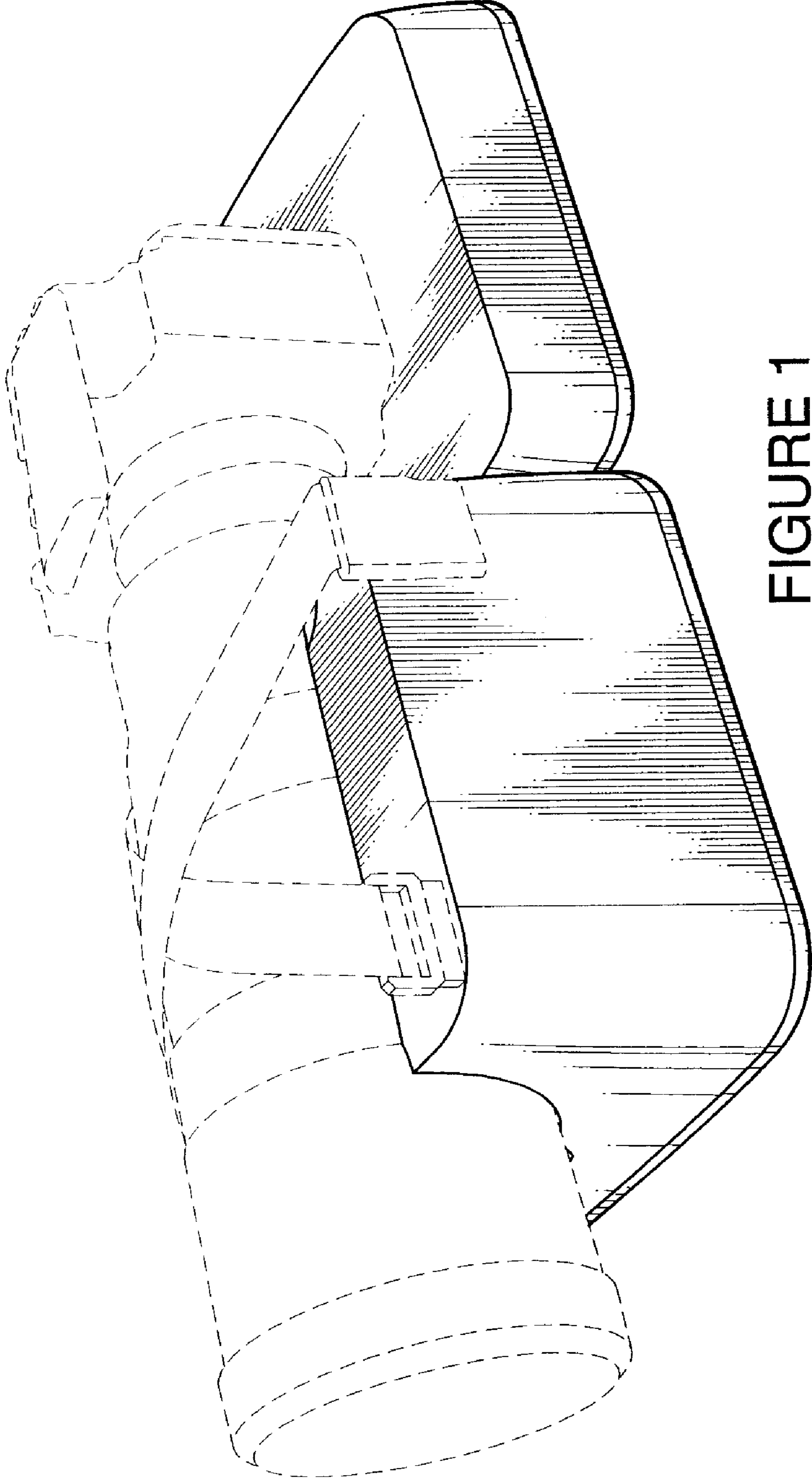


FIGURE 1

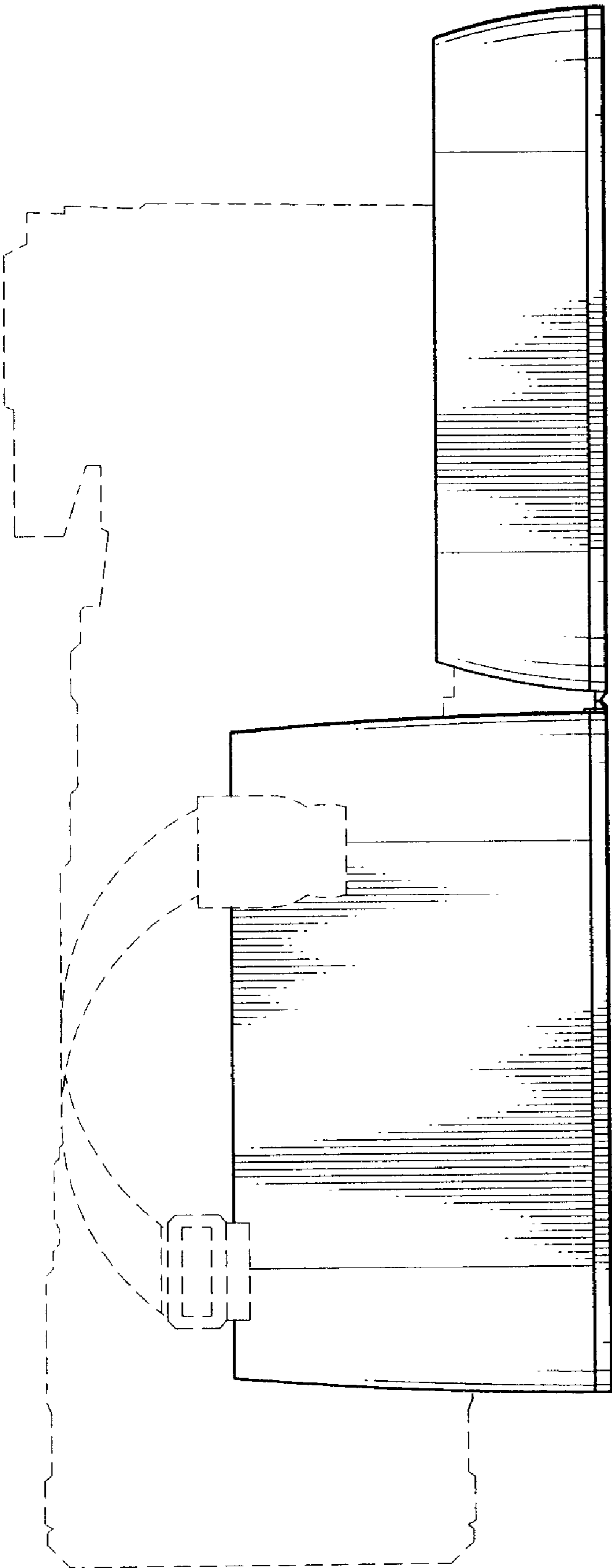


FIGURE 2

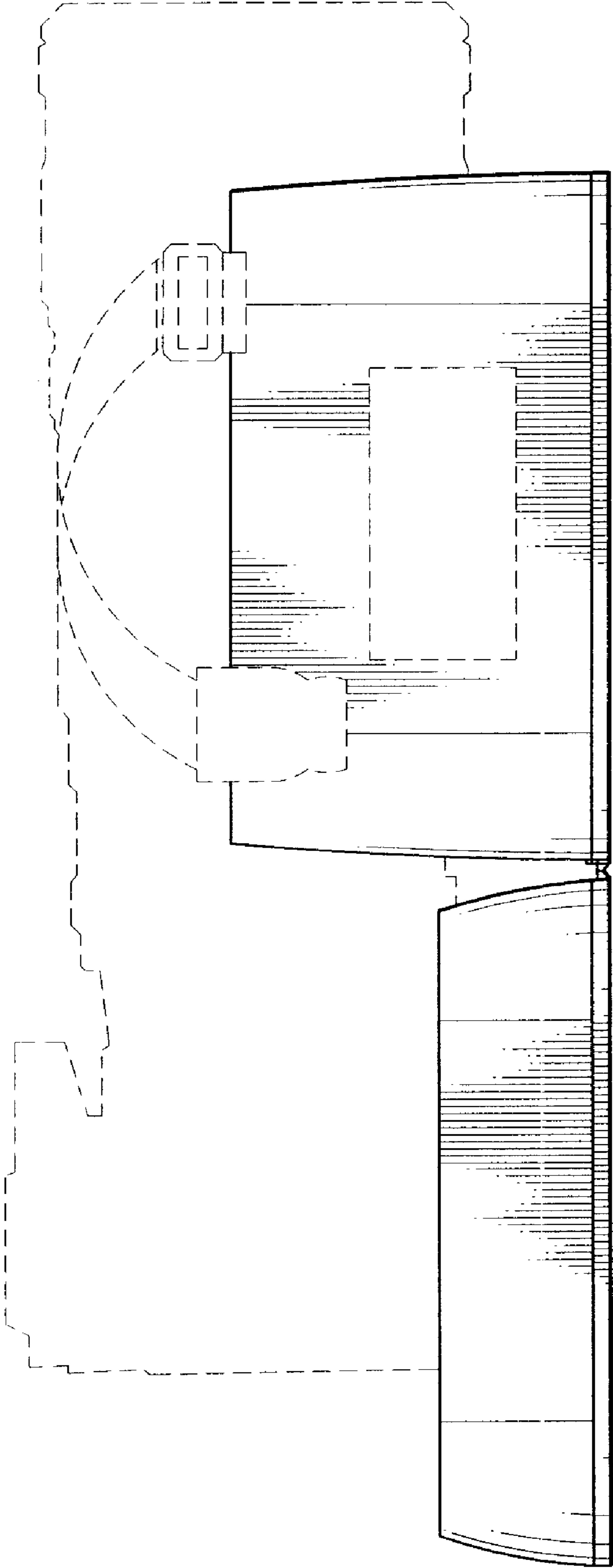


FIGURE 3

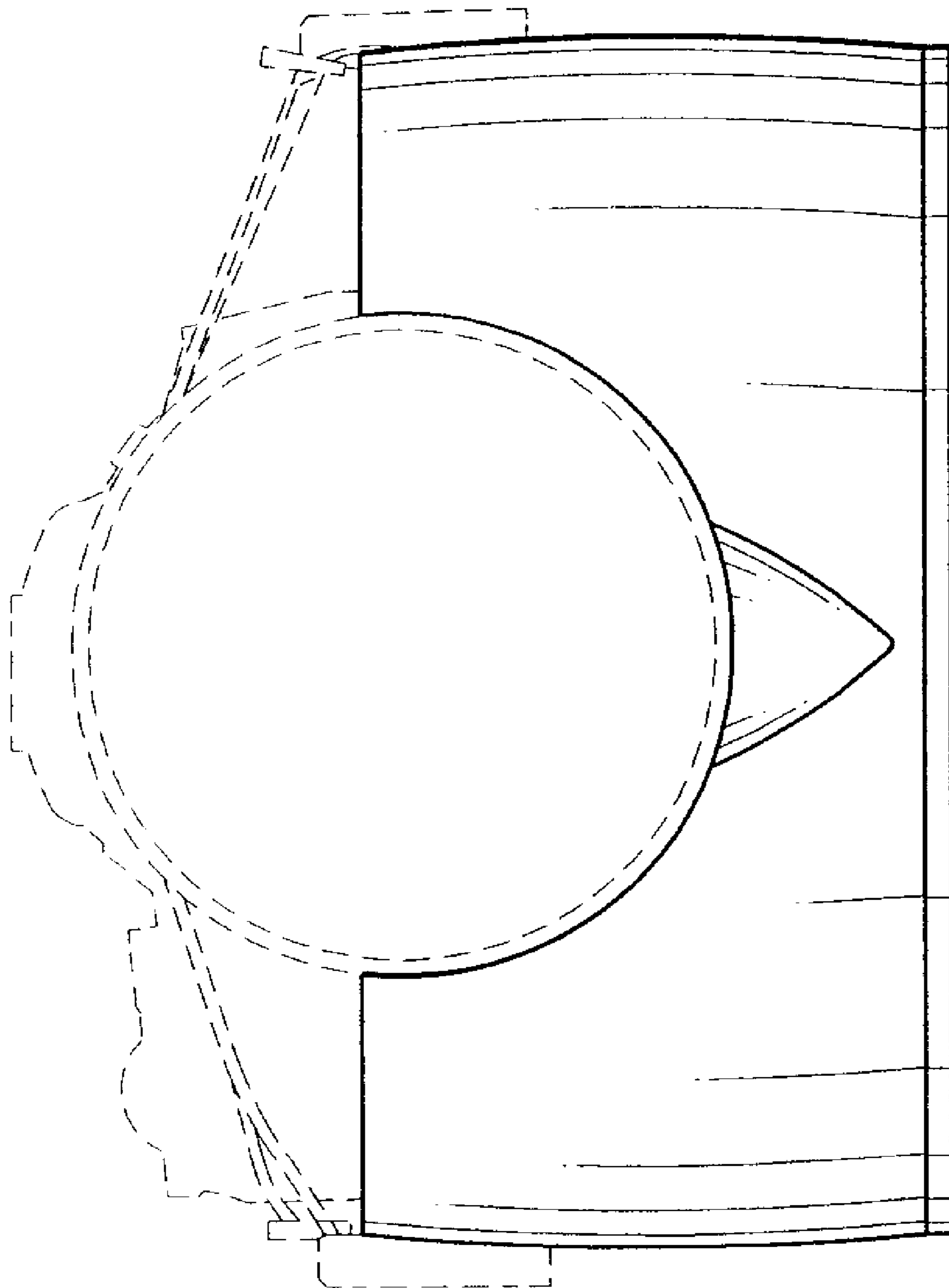


FIGURE 4

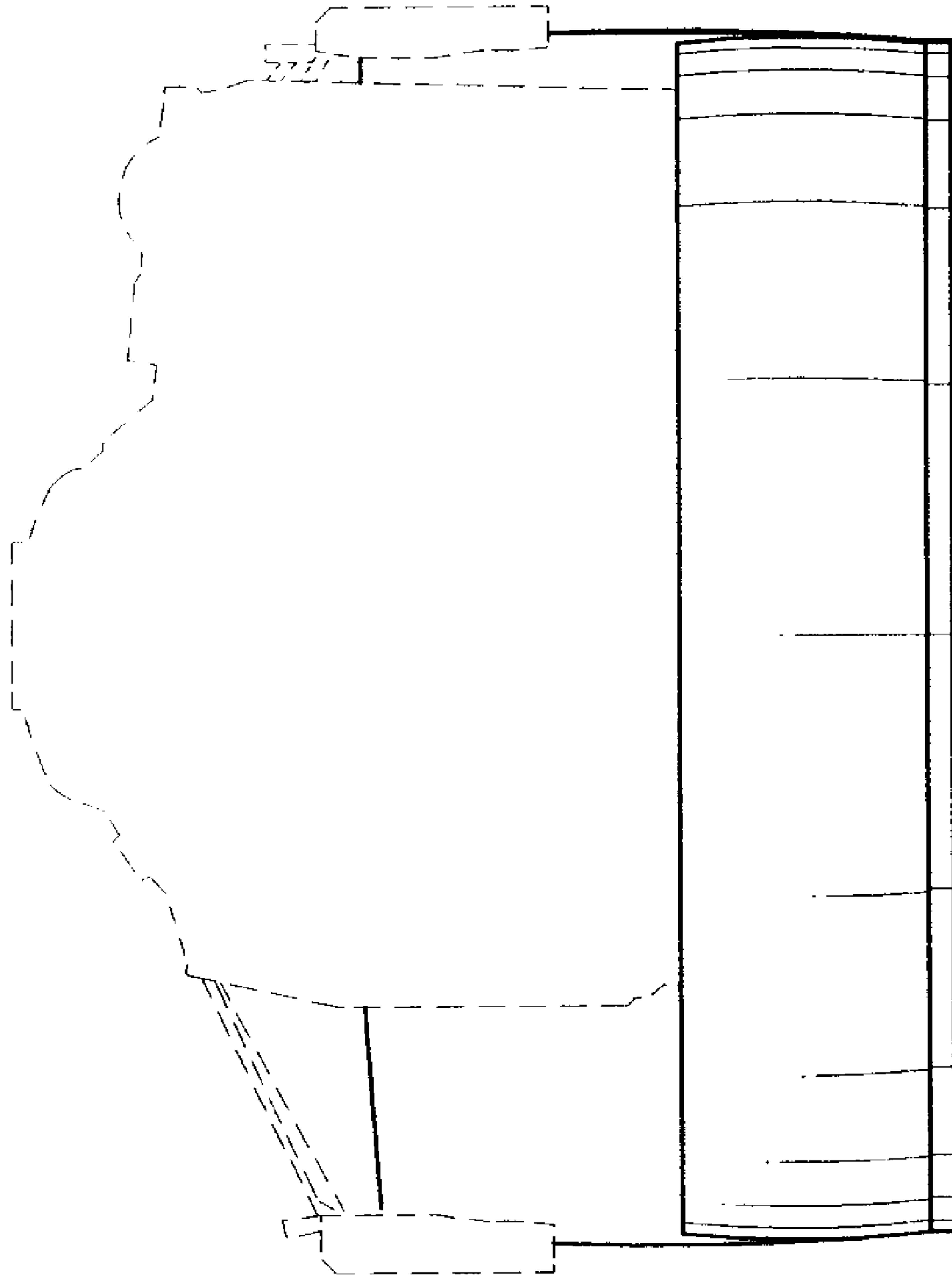


FIGURE 5

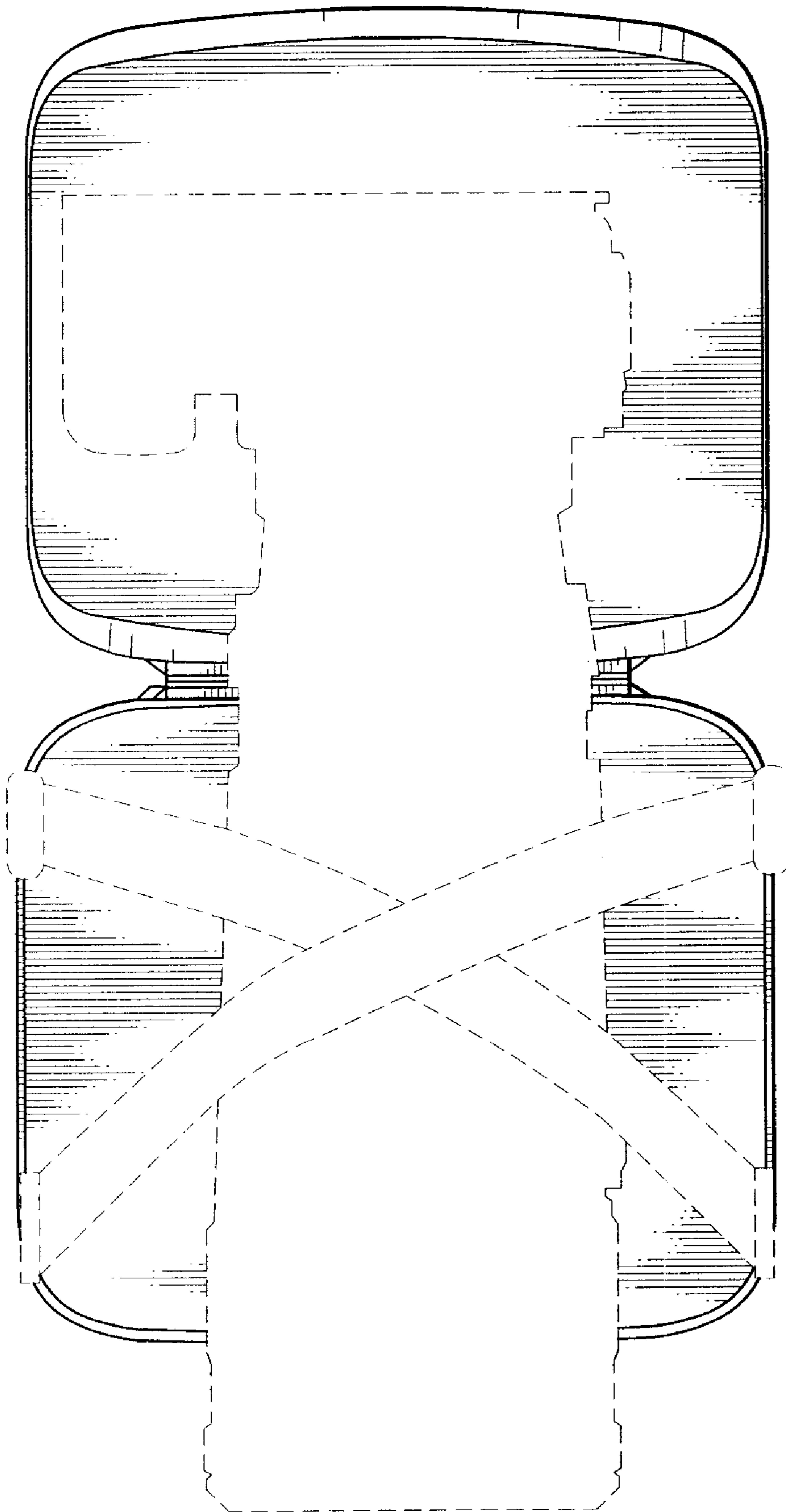


FIGURE 6

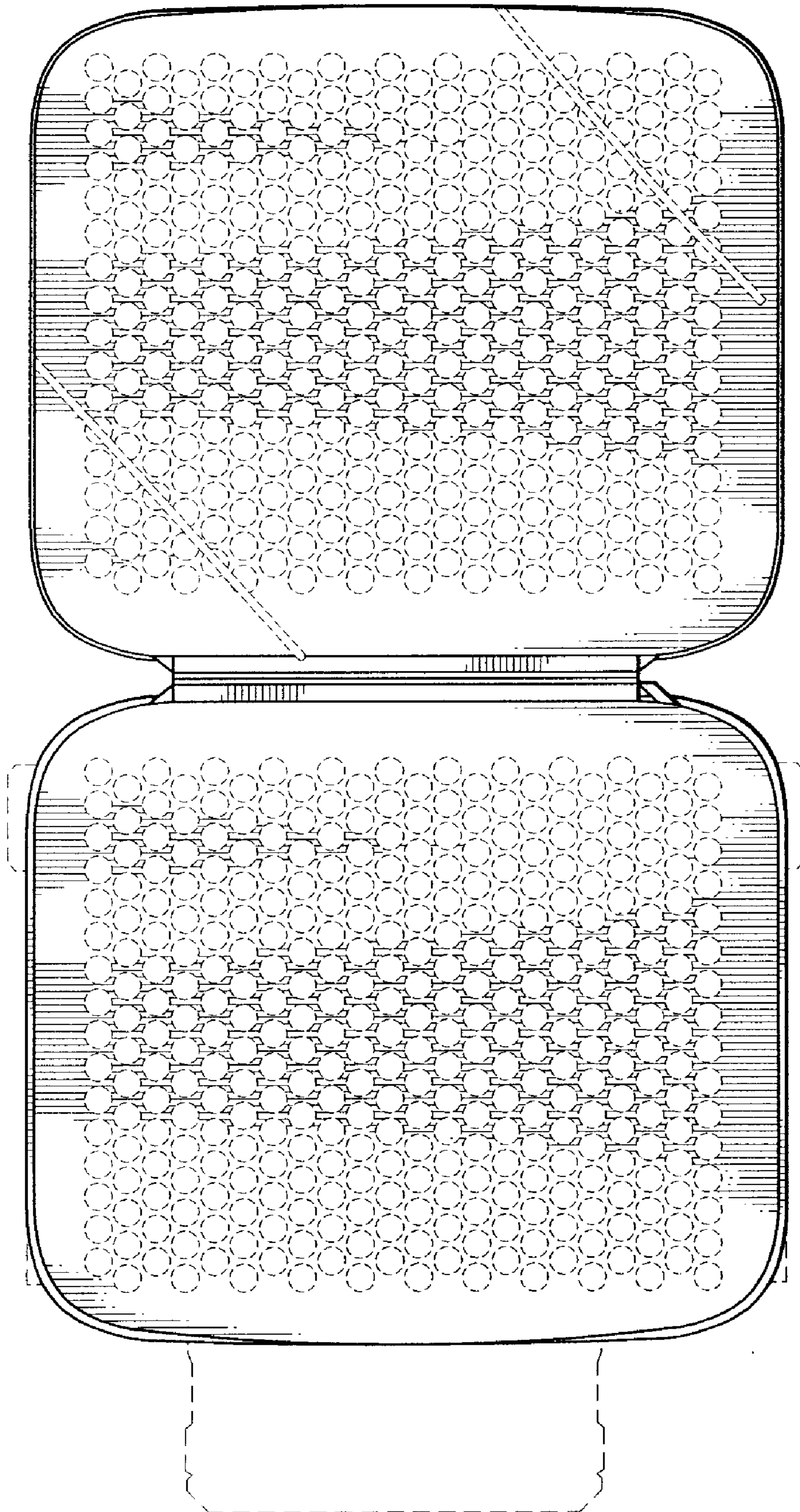


FIGURE 7