



US00D643866S

(12) **United States Design Patent**
Apothéloz

(10) **Patent No.:** **US D643,866 S**

(45) **Date of Patent:** **** Aug. 23, 2011**

(54) **MICROSCOPE**

(75) **Inventor:** **Christophe Apothéloz, Zurich (CH)**

(73) **Assignee:** **Leica Microsystems (Schweiz) AG,**
Heerbrugg (CH)

(**) **Term:** **14 Years**

(21) **Appl. No.:** **29/365,803**

(22) **Filed:** **Jul. 15, 2010**

(30) **Foreign Application Priority Data**

Apr. 7, 2010 (EM) 001691403-0001

(51) **LOC (9) Cl.** **16-06**

(52) **U.S. Cl.** **D16/131**

(58) **Field of Classification Search** D16/130,
D16/131; D26/38; 362/33, 335, 190, 197;
359/363, 384, 385, 426, 425, 740, 390, 388,
359/368

See application file for complete search history.

(56) **References Cited**

U.S. PATENT DOCUMENTS

2,351,736	A *	6/1944	Benford	359/390
D163,628	S *	6/1951	Perkins	D16/131
2,764,672	A *	9/1956	Koedderich et al.	362/190
2,863,989	A *	12/1958	Wrigglesworth	362/335
D184,487	S *	2/1959	Maier	D16/131
2,971,080	A *	2/1961	Boughton	362/449
D198,141	S *	5/1964	Armbruster	D16/131
D198,142	S *	5/1964	Armbruster	D16/131

D205,096	S *	6/1966	Korte	D16/131
3,790,249	A *	2/1974	Treace	359/388
D241,741	S *	10/1976	Armbruster	D16/131
D242,790	S *	12/1976	Armbruster	D16/131
D245,912	S *	9/1977	Masuyama et al.	D16/131
D254,311	S *	2/1980	Morgan et al.	D16/131
D289,410	S *	4/1987	Feinbloom et al.	D16/131
D290,129	S *	6/1987	Kahute	D16/131
D291,702	S *	9/1987	Kahute	D16/131
6,421,173	B1 *	7/2002	Corbisiero et al.	359/372
D482,708	S *	11/2003	Matuschek	D16/131
D520,542	S *	5/2006	Suzuki et al.	D16/131
D523,046	S *	6/2006	Suzuki et al.	D16/131
D624,576	S *	9/2010	Lin	D16/131

* cited by examiner

Primary Examiner — Paula Greene

(74) *Attorney, Agent, or Firm* — Crowell & Moring LLP

(57) **CLAIM**

The ornamental design for a microscope, as shown and described.

DESCRIPTION

FIG. 1 is a perspective view of a microscope according to my design;

FIG. 2 is a left side view thereof;

FIG. 3 is a right side view thereof;

FIG. 4 is a top view thereof;

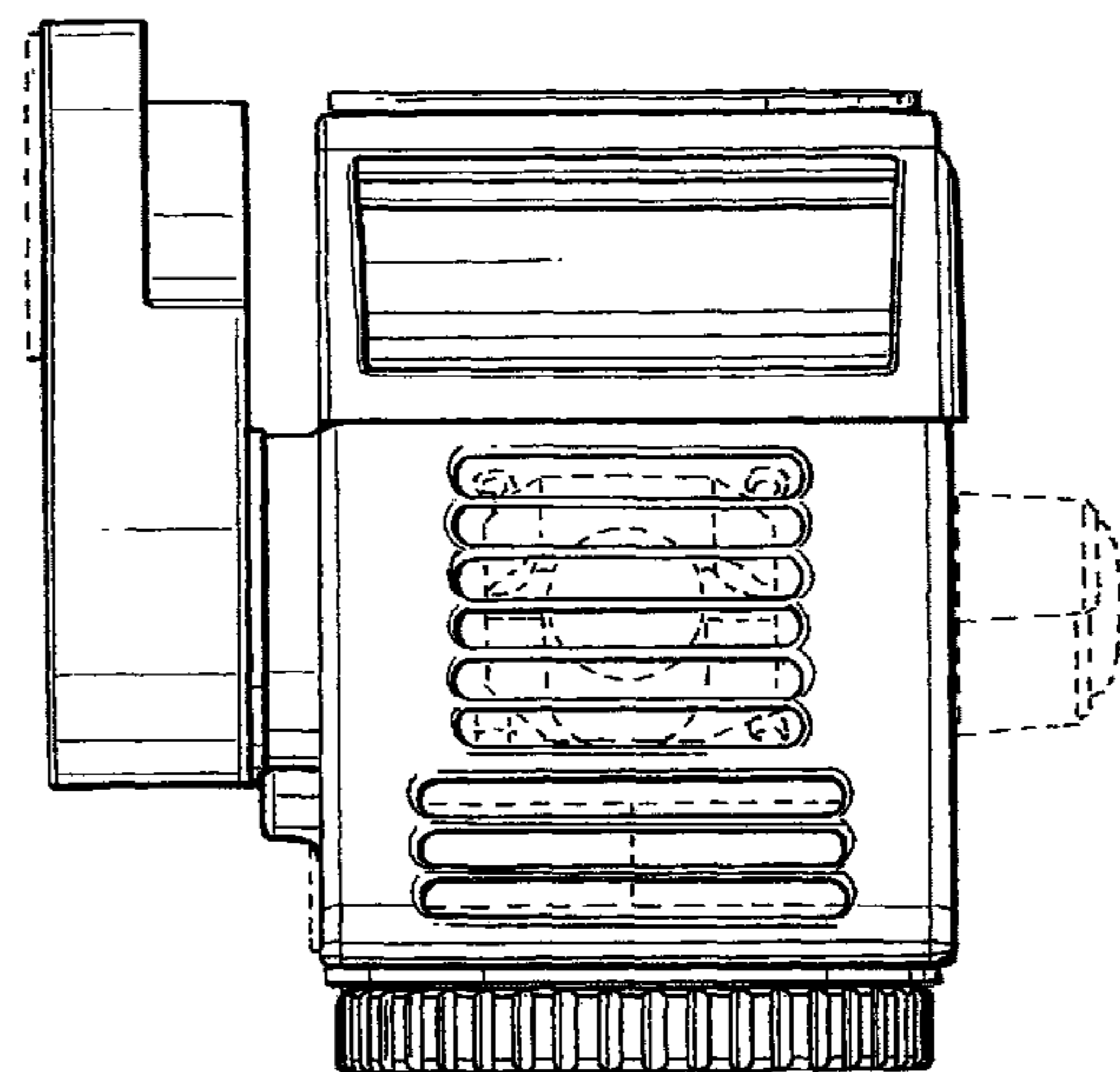
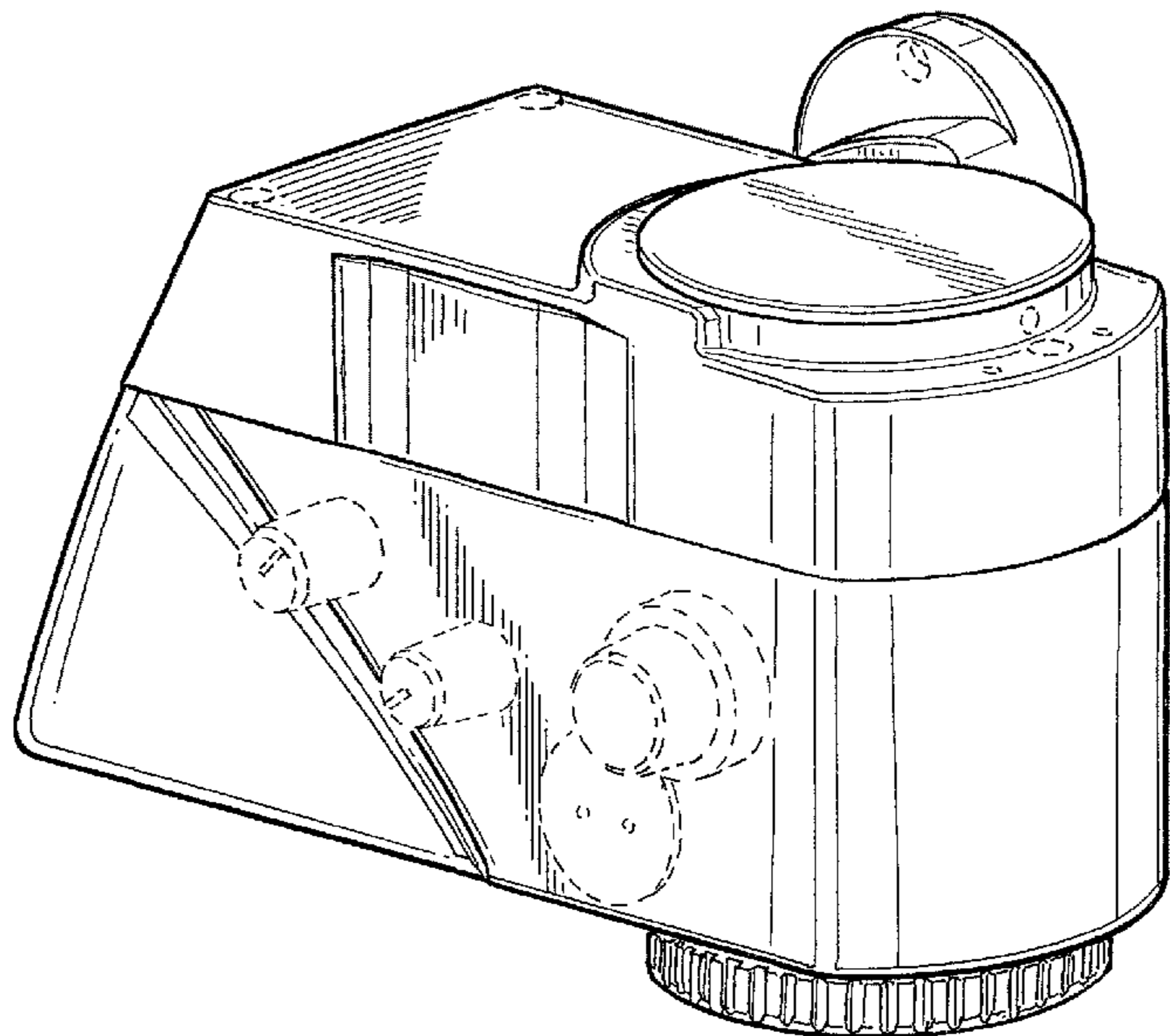
FIG. 5 is a front view thereof;

FIG. 6 is a rear view thereof; and,

FIG. 7 is a bottom view thereof.

The broken lines are for illustrative purposes only and form no part of the claimed design.

1 Claim, 4 Drawing Sheets



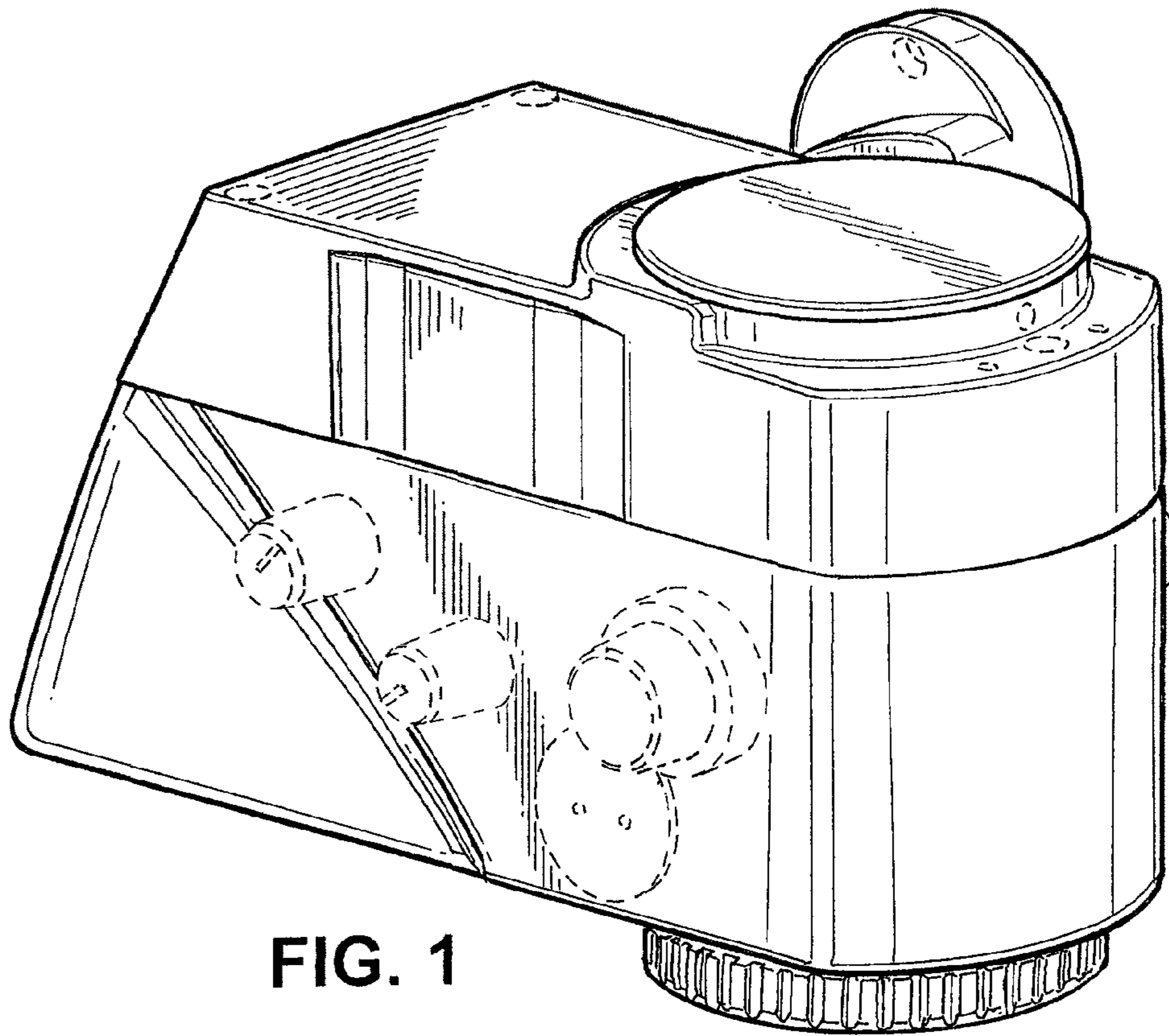


FIG. 1

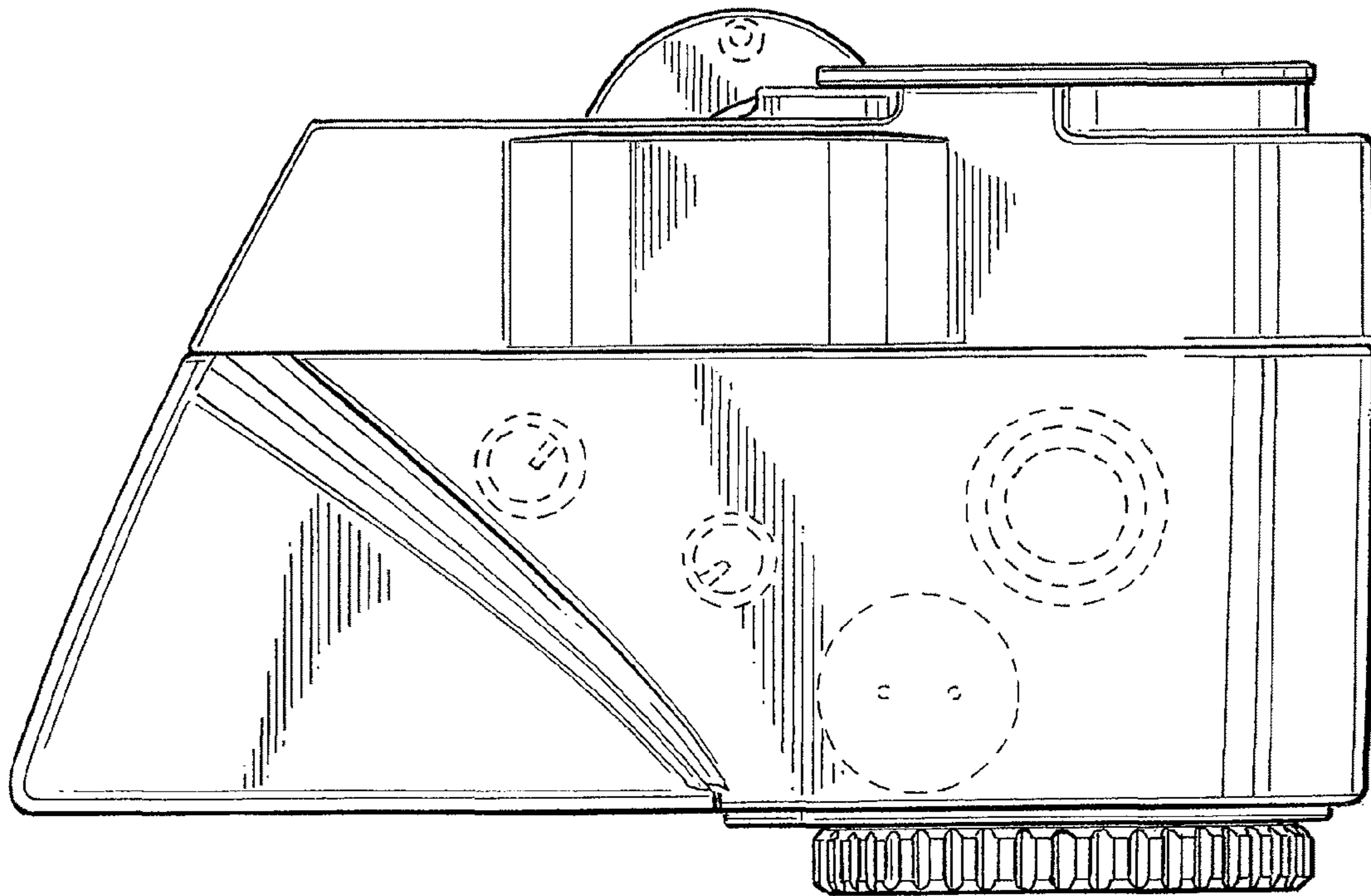


FIG. 2

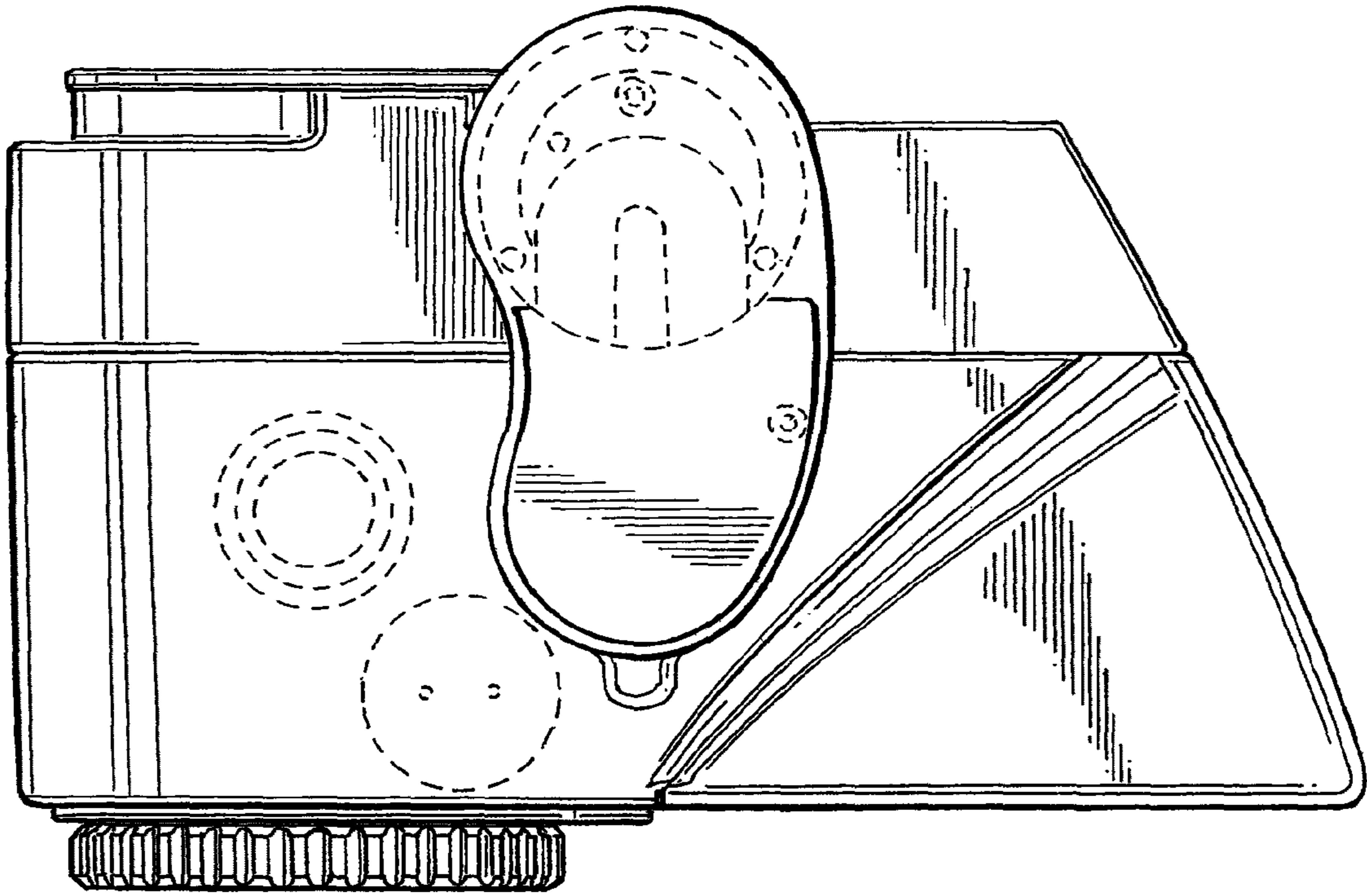


FIG. 3

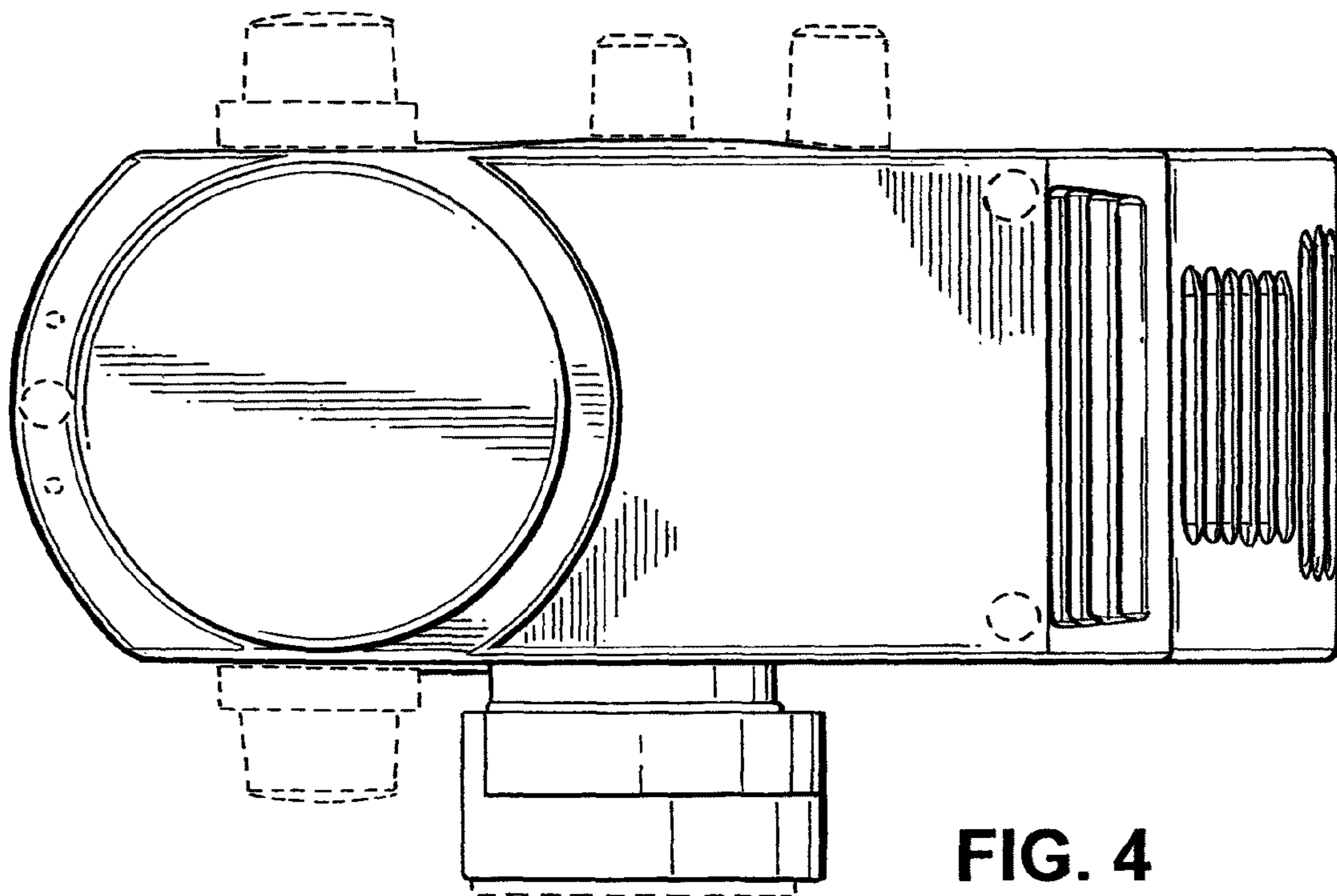


FIG. 4

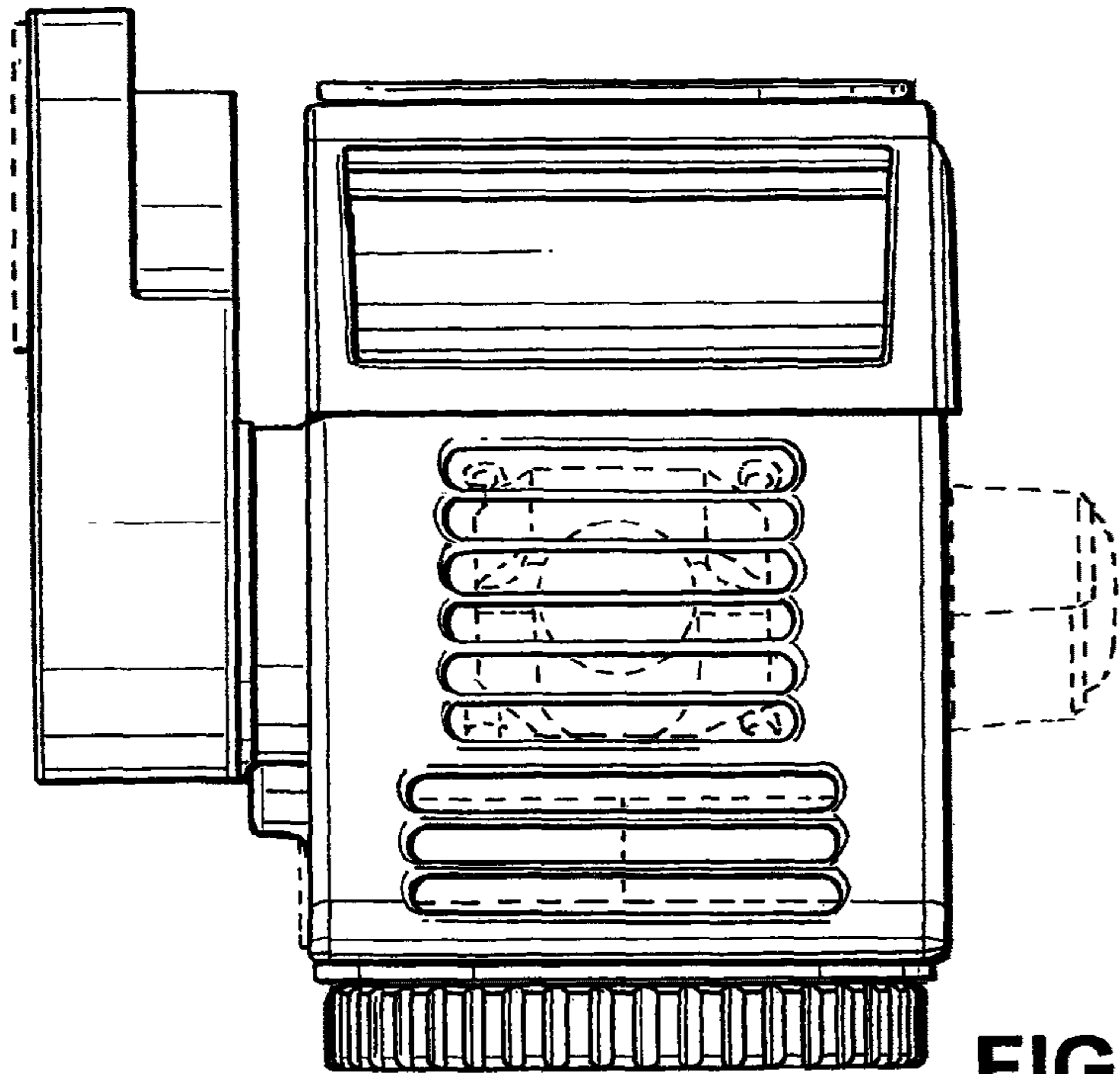


FIG. 5

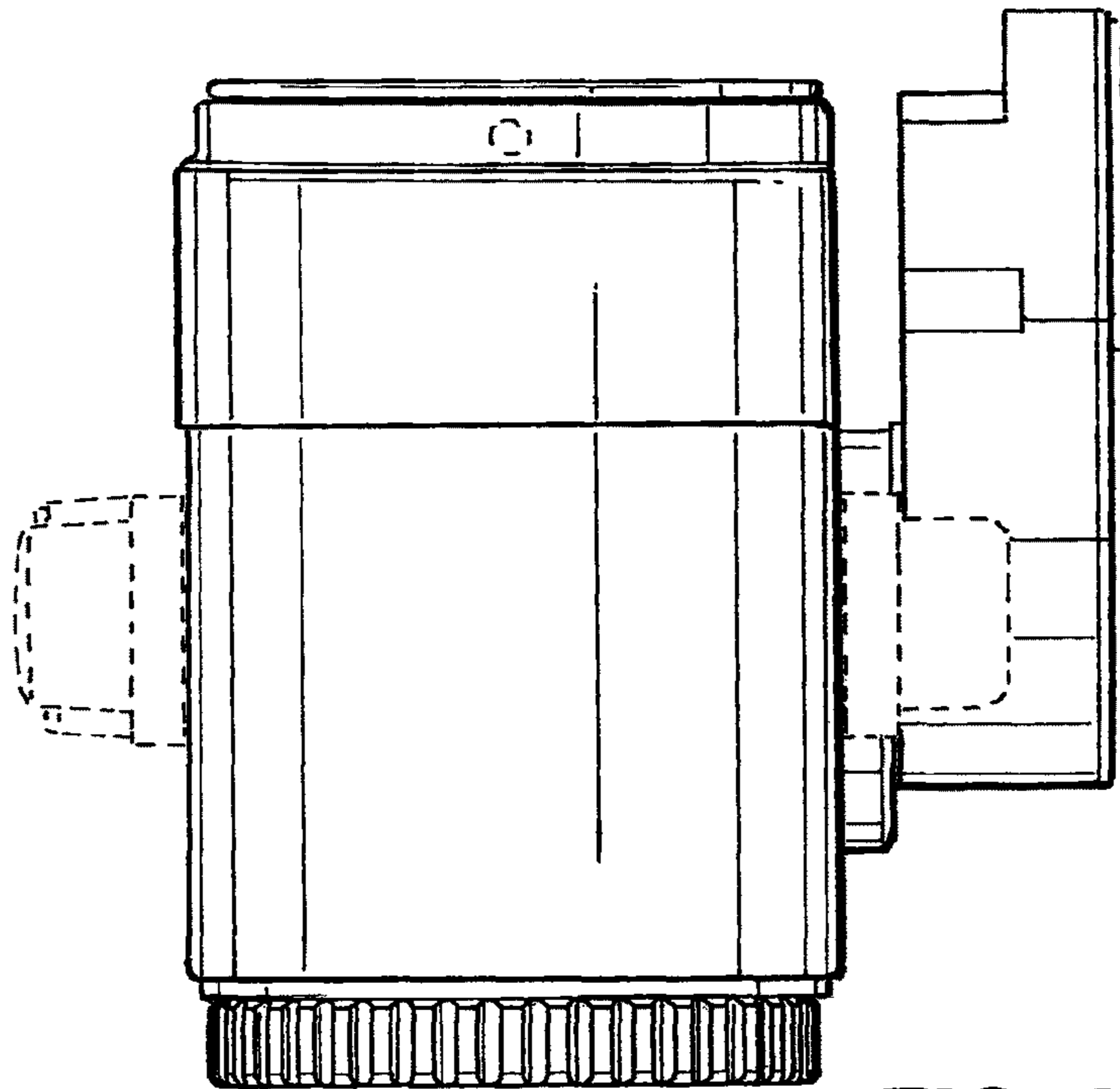


FIG. 6

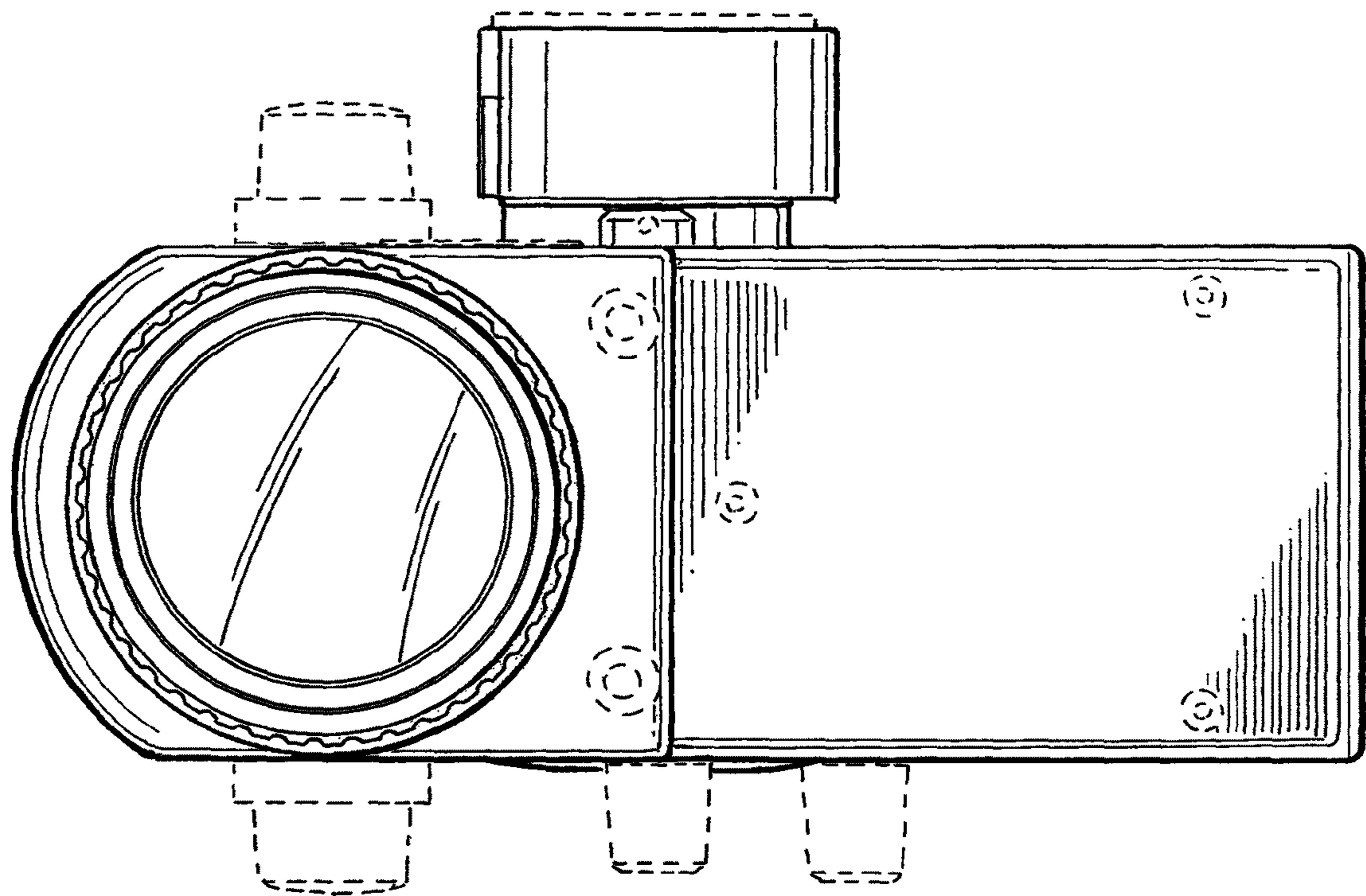


FIG. 7