



US00D643864S

(12) **United States Design Patent**  
**Jackson**

(10) **Patent No.:** **US D643,864 S**

(45) **Date of Patent:** **\*\* Aug. 23, 2011**

(54) **MILLING TOOL HOLDER**

(75) Inventor: **Gregory Todd Jackson**, Waunakee, WI (US)

(73) Assignee: **Tormach LLC**, Waunakee, WI (US)

(\*\*) Term: **14 Years**

(21) Appl. No.: **29/330,079**

(22) Filed: **Dec. 29, 2008**

(51) **LOC (9) Cl.** ..... **15-09**

(52) **U.S. Cl.** ..... **D15/140**

(58) **Field of Classification Search** ..... D8/70,  
D8/71; D15/131, 138, 140; 279/126, 144,  
279/900; 408/6, 9, 16, 57, 124, 238; 409/135,  
409/136, 234, 235, 294; 451/294; 483/32  
See application file for complete search history.

(56) **References Cited**

**U.S. PATENT DOCUMENTS**

3,414,253	A *	12/1968	Mewse	269/47
D244,279	S *	5/1977	Ponemon	D15/140
D270,059	S	8/1983	Wilkins	
4,456,412	A *	6/1984	Ford et al.	409/233
D278,408	S	4/1985	Shampang	
4,579,487	A *	4/1986	Lehmkuhl	409/134
D311,747	S	10/1990	Mihie	
5,112,162	A *	5/1992	Hartford et al.	407/49
D358,537	S	5/1995	Leseman	
5,427,484	A	6/1995	Galli	
5,468,102	A *	11/1995	Stojanovski	409/234
D397,148	S	8/1998	Luntz	
D471,211	S *	3/2003	Sollami	D15/21
D474,093	S *	5/2003	Chang	D8/71
6,644,152	B1	11/2003	Stojanovski	
7,044,695	B2	5/2006	Stojanovski	
D558,802	S	1/2008	Nicholas	
D612,406	S *	3/2010	Jackson et al.	D15/131

2004/0136795	A1 *	7/2004	Chen	408/16
2004/0136796	A1 *	7/2004	Chen	408/16
2005/0117988	A1 *	6/2005	Stojanovski	409/234
2007/0248427	A1 *	10/2007	Frecka et al.	409/132
2008/0089755	A1 *	4/2008	Kress	409/234
2010/0260569	A1 *	10/2010	Ham et al.	409/80

\* cited by examiner

*Primary Examiner* — Patricia Palasik

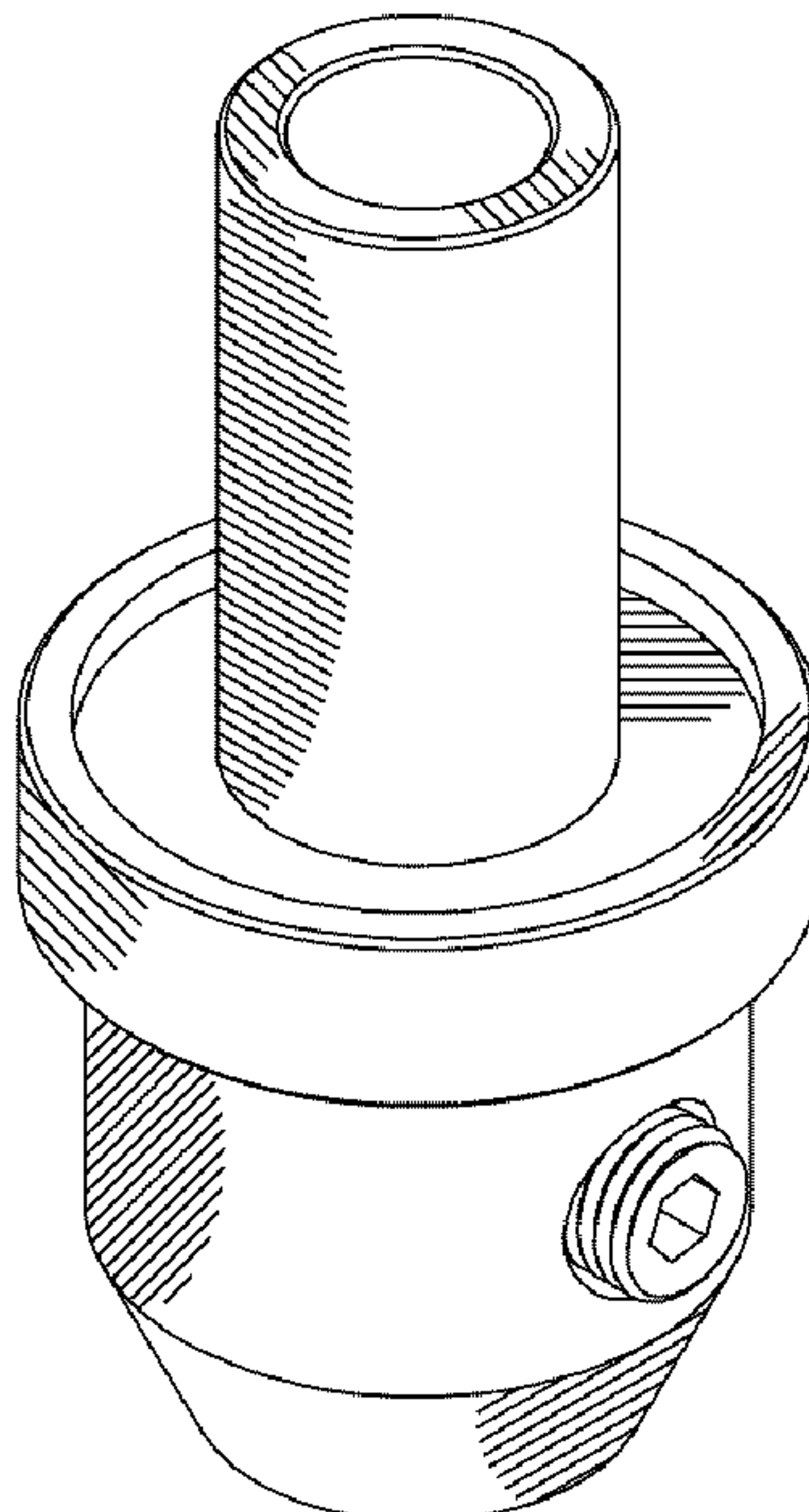
(57) **CLAIM**

The ornamental design for a milling tool holder, as shown and described.

**DESCRIPTION**

FIG. 1 is a front perspective view of a milling tool holder showing my new design;  
 FIG. 2 is a front perspective view of a second embodiment of my design of FIG. 1;  
 FIG. 3 is a front perspective view of a third embodiment of my design of FIG. 1;  
 FIG. 4 is a top view of FIG. 1;  
 FIG. 5 is a top view of FIG. 2;  
 FIG. 6 is a top view of FIG. 3;  
 FIG. 7 is a bottom view of FIG. 1;  
 FIG. 8 is a bottom view of FIG. 2;  
 FIG. 9 is a bottom view of FIG. 3;  
 FIG. 10 is a front elevation view of FIGS. 1 and 2;  
 FIG. 11 is a side elevation view of FIGS. 1 and 2, the opposite side being a mirror image thereof;  
 FIG. 12 is a rear elevation view of FIGS. 1 and 2;  
 FIG. 13 is a front elevation view of FIG. 3;  
 FIG. 14 is a side elevation view of FIG. 3, the opposite side being a mirror image thereof; and,  
 FIG. 15 is a rear elevation view of FIG. 3.

**1 Claim, 3 Drawing Sheets**



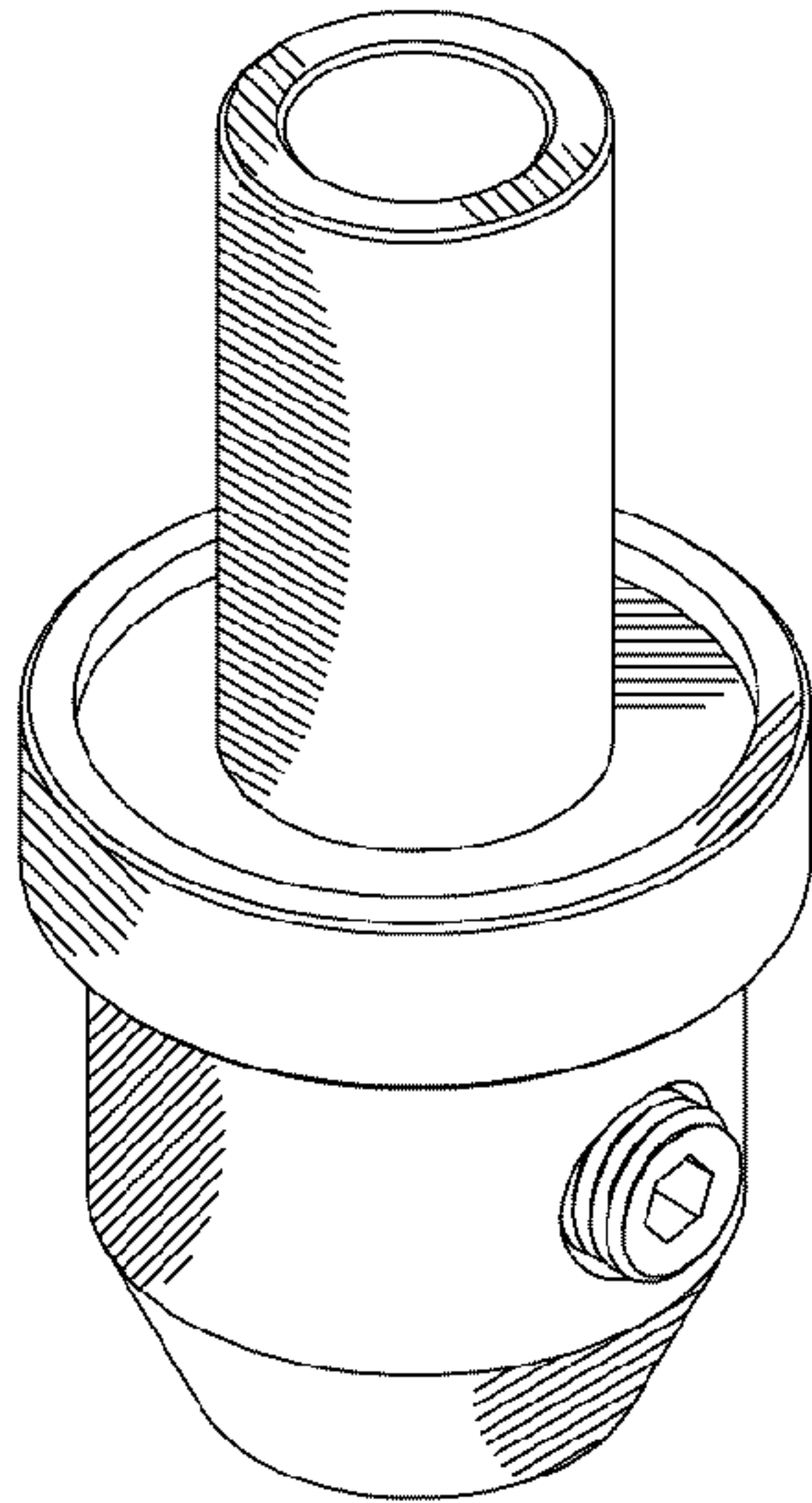


Fig. 1

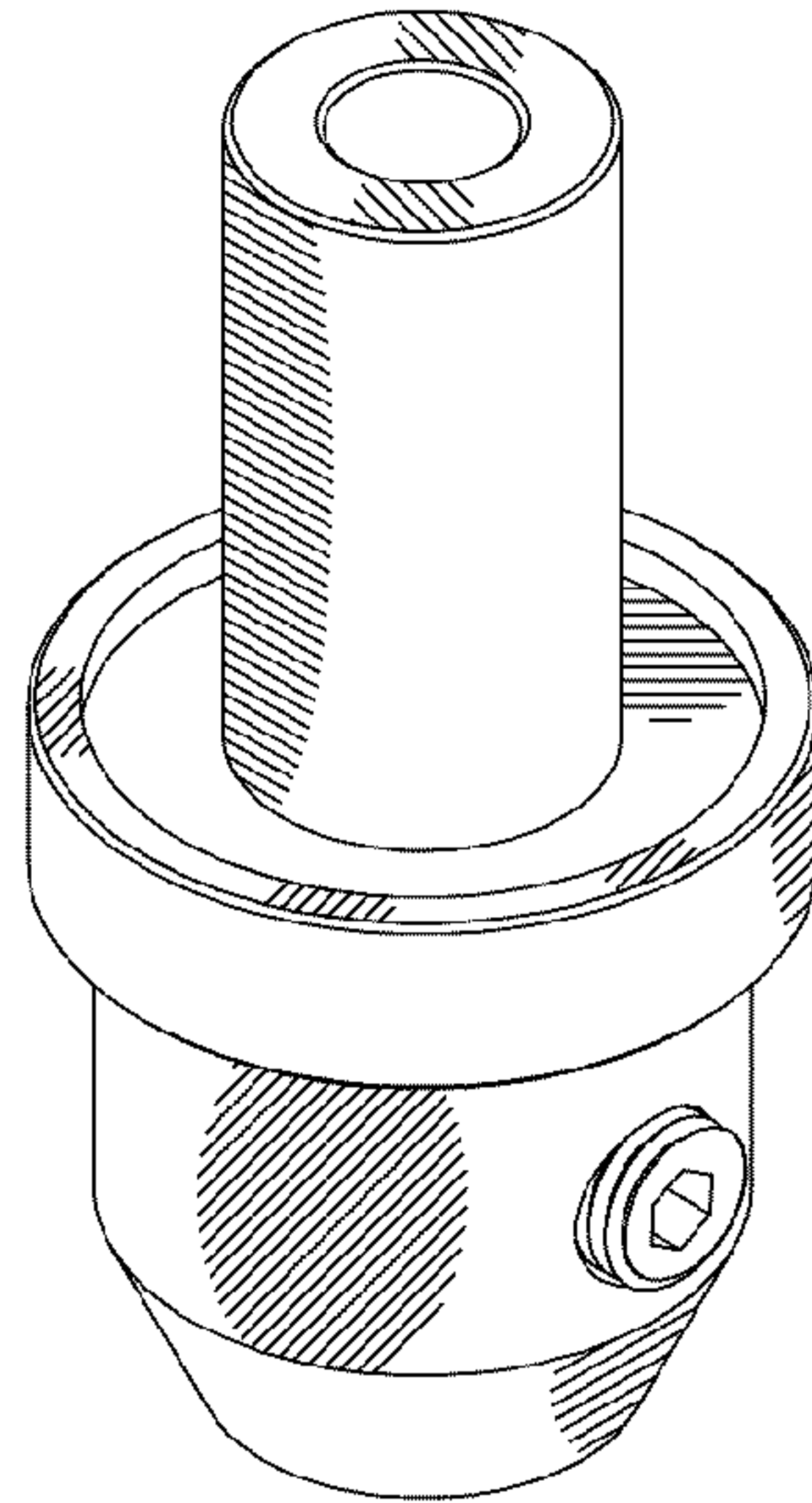


Fig. 2

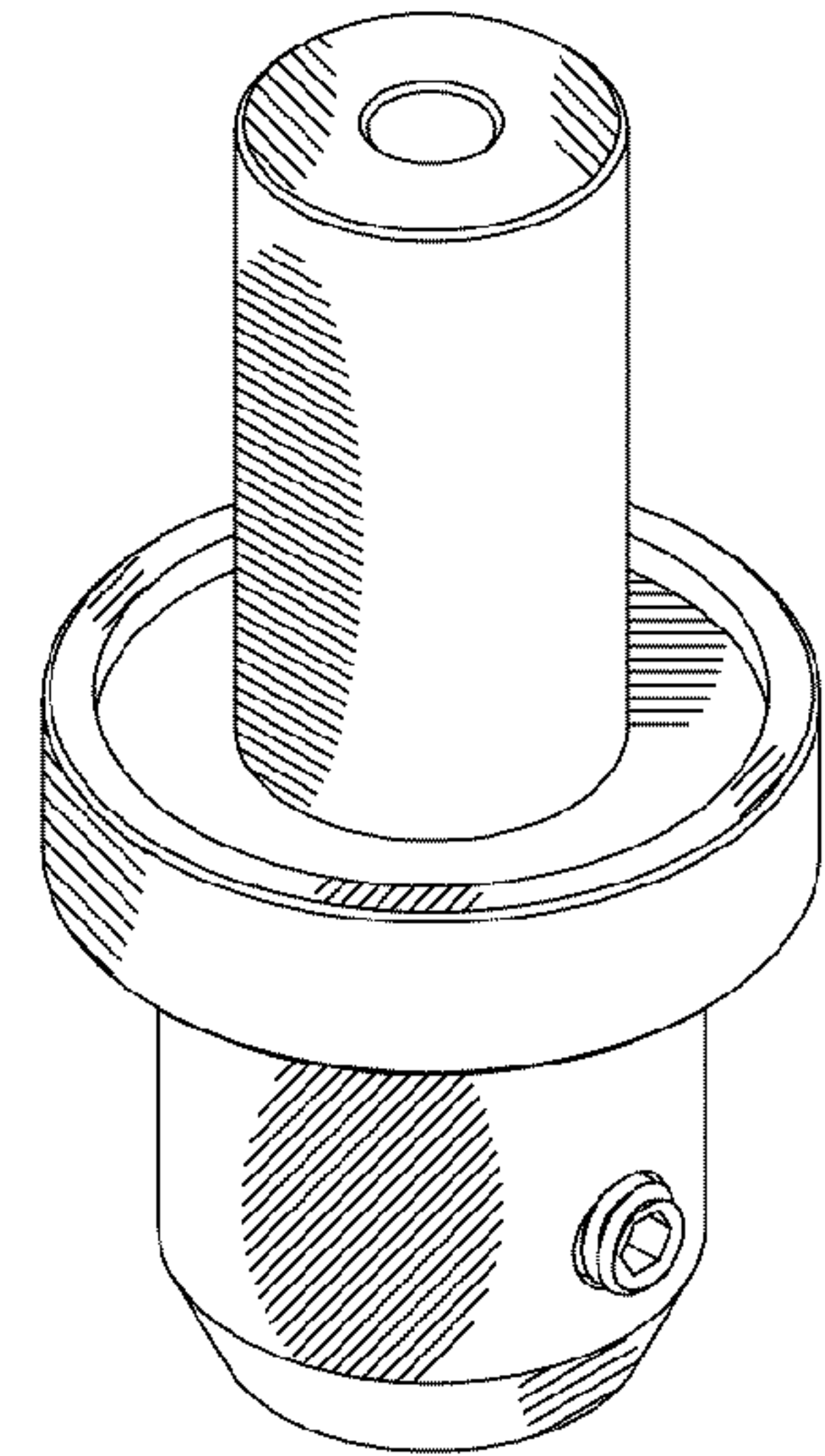


Fig. 3

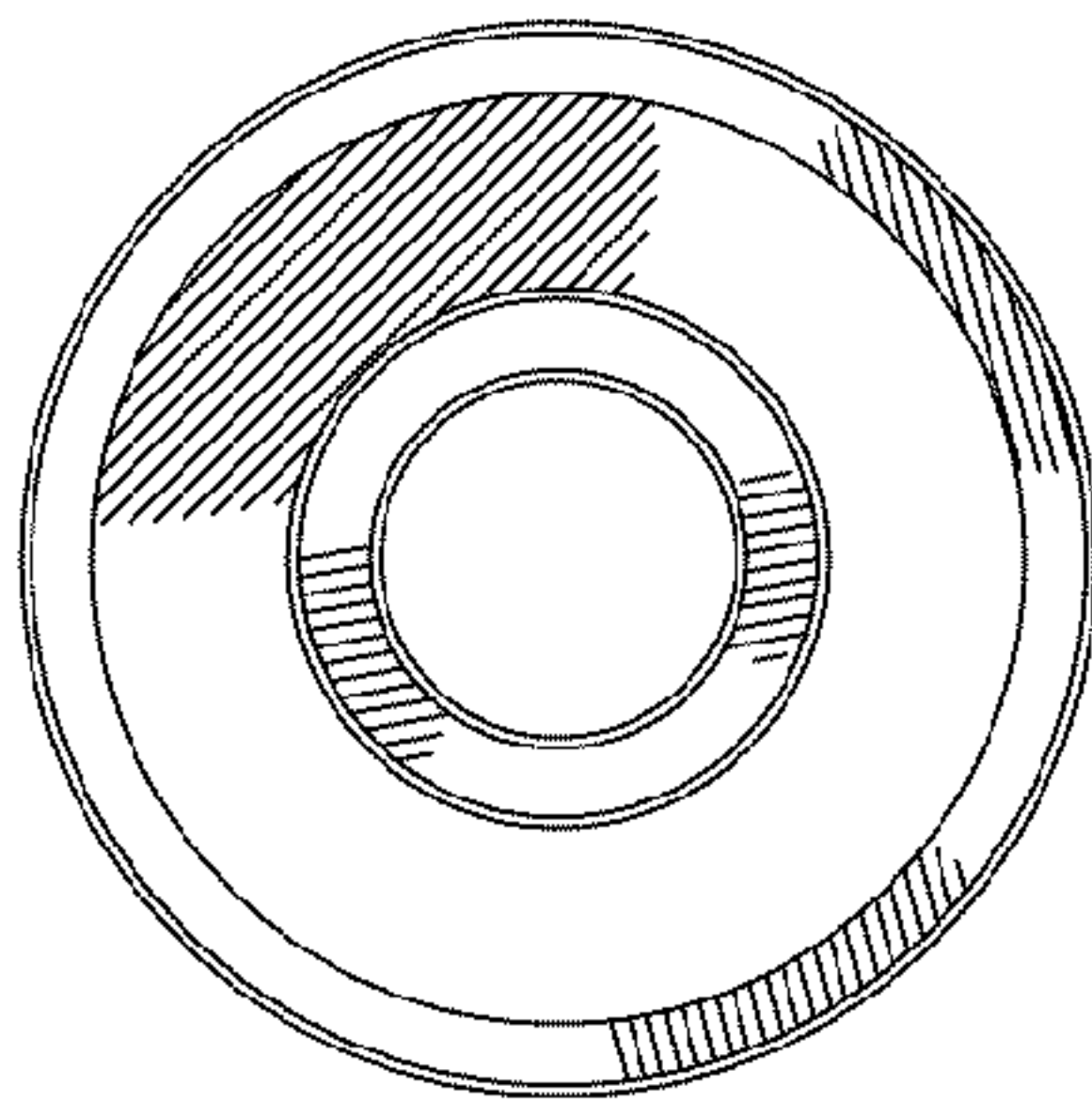


Fig. 4

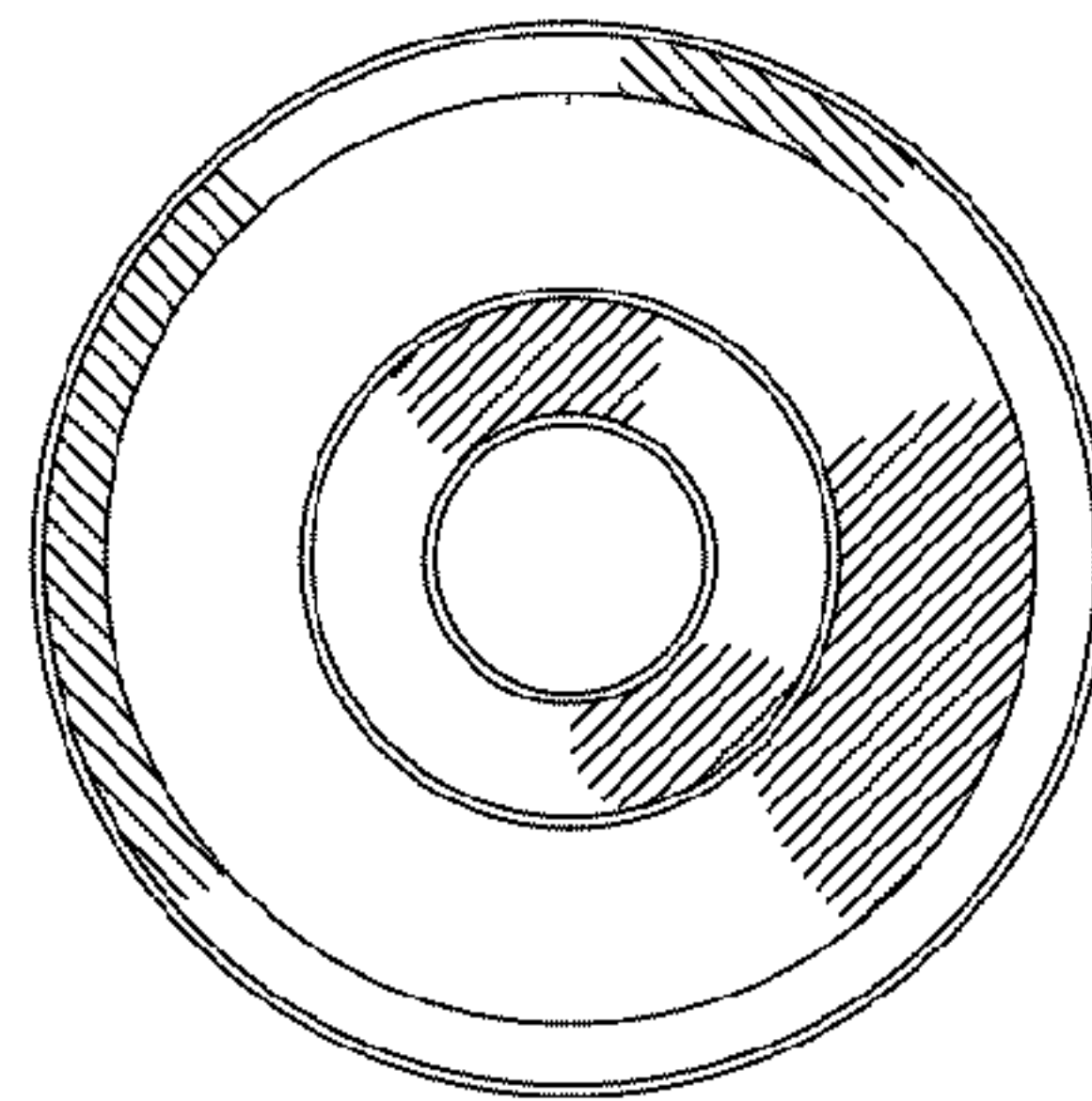


Fig. 5

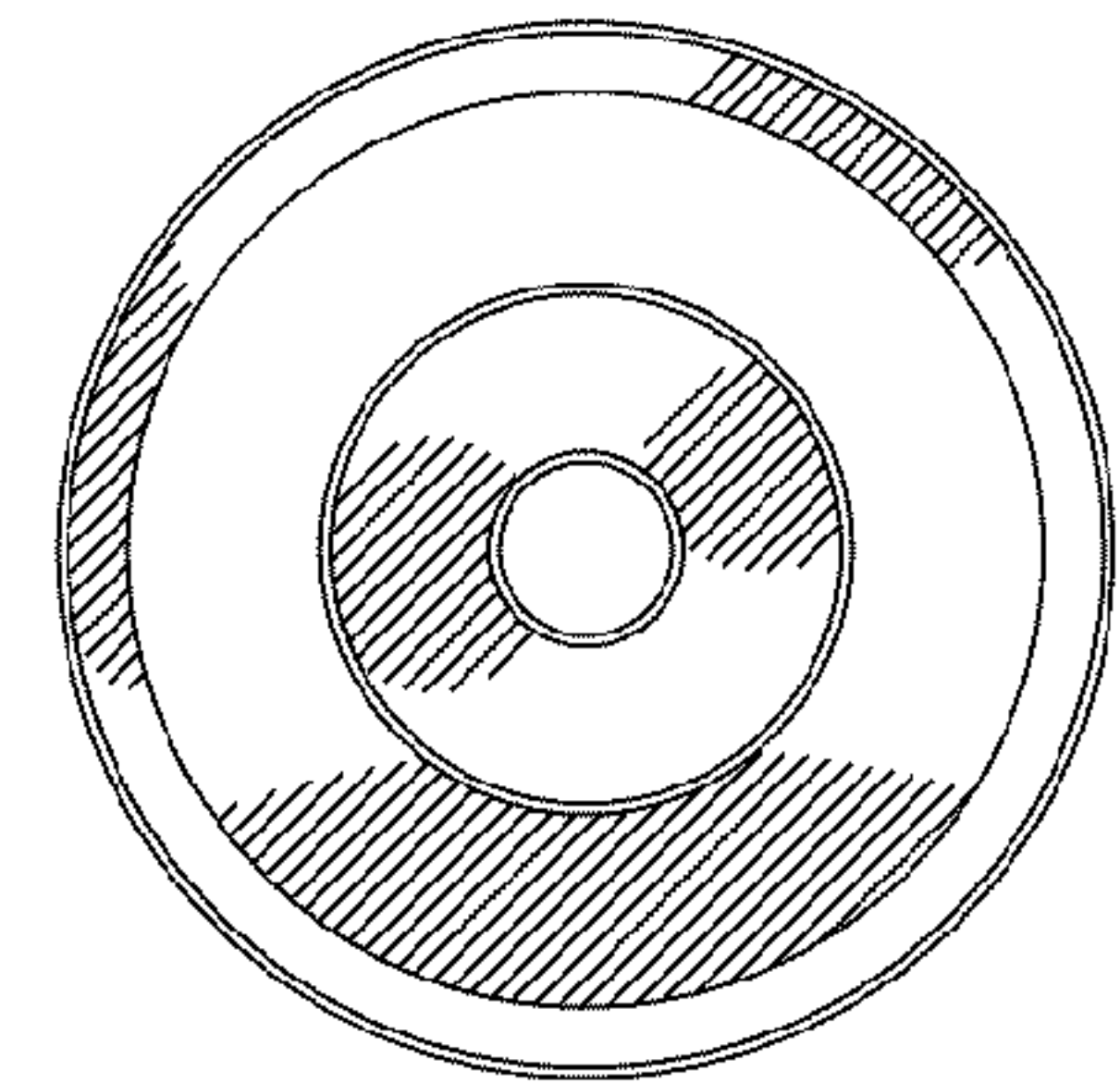


Fig. 6



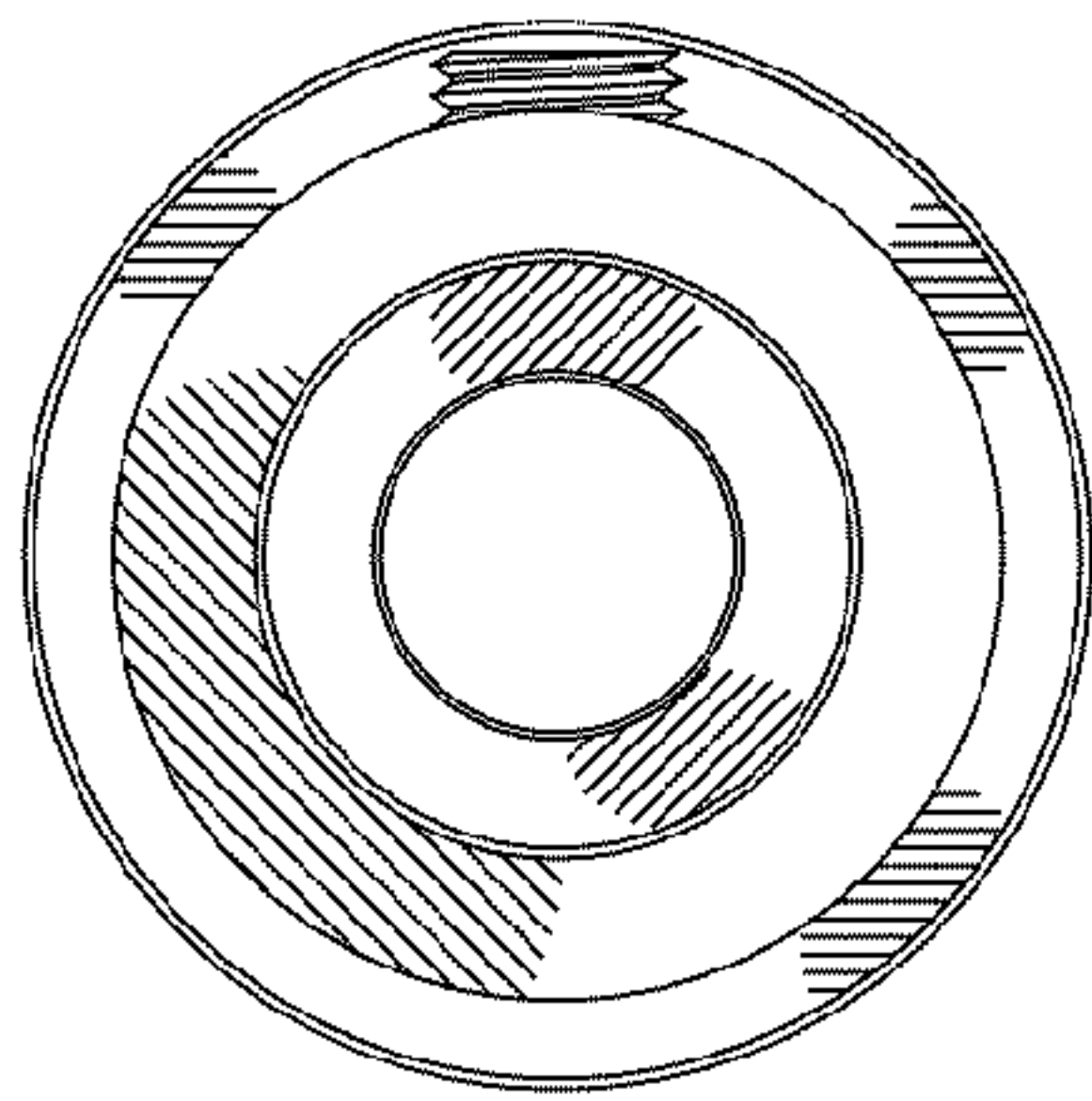


Fig. 7

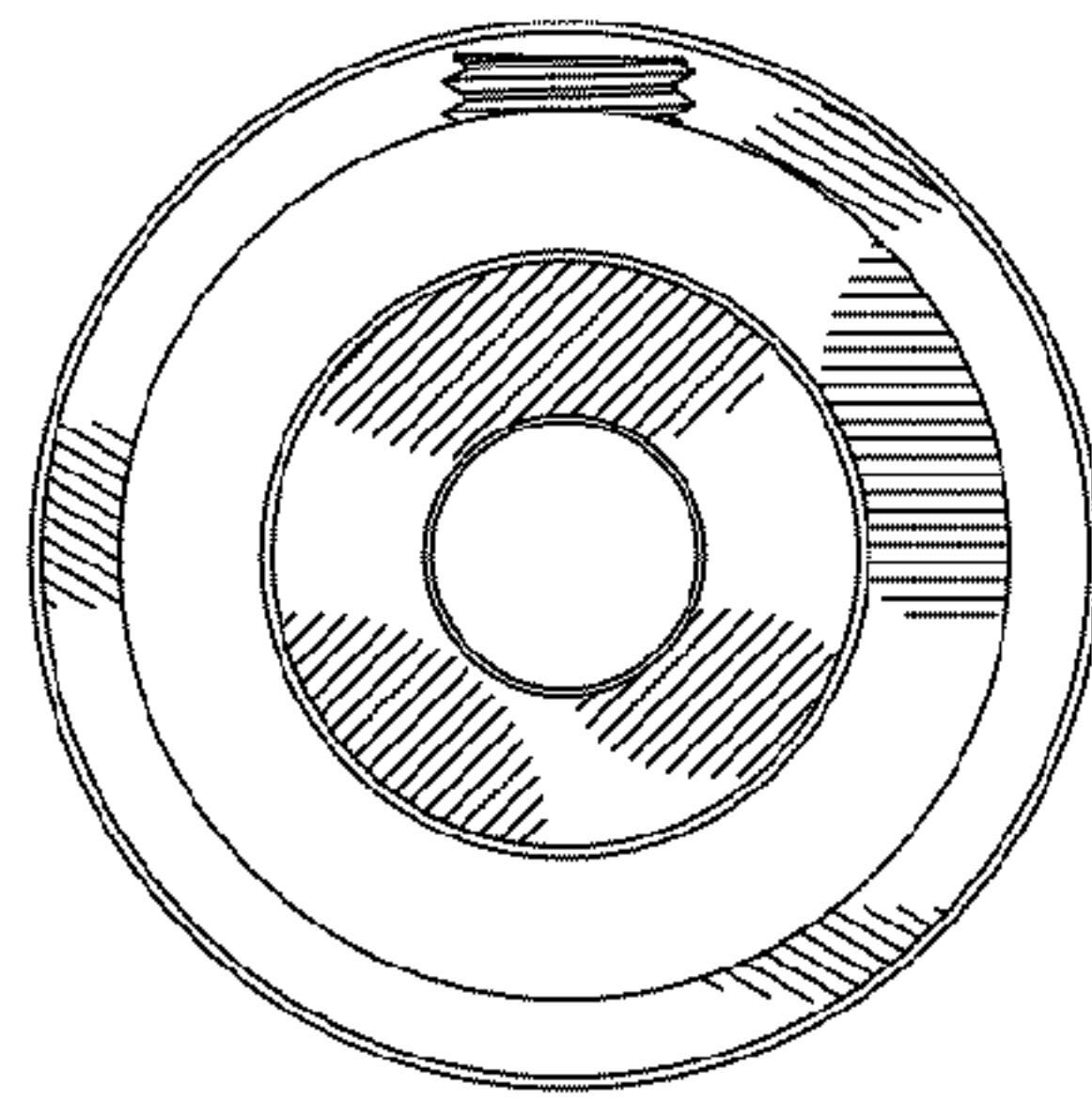


Fig. 8

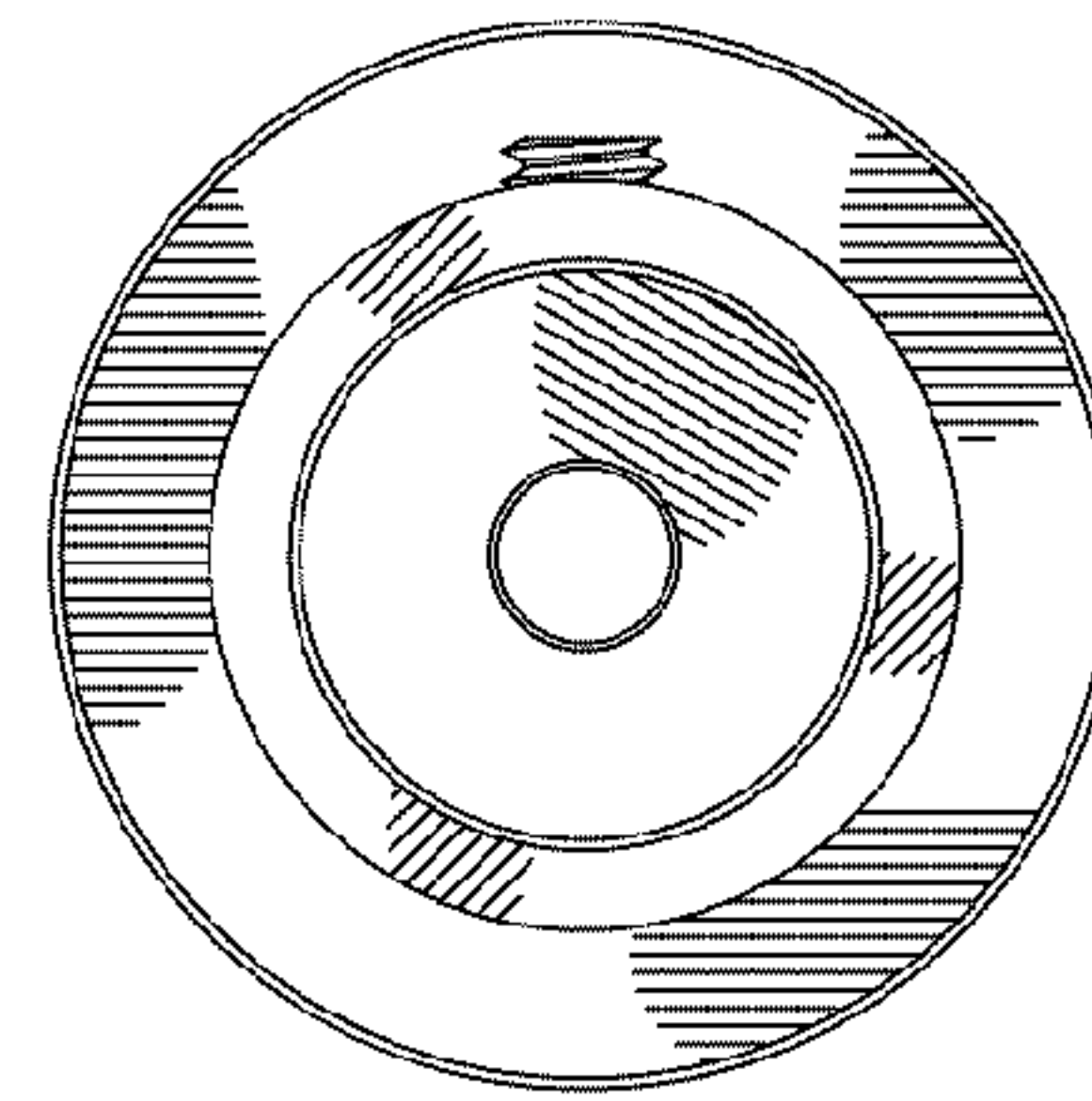


Fig. 9

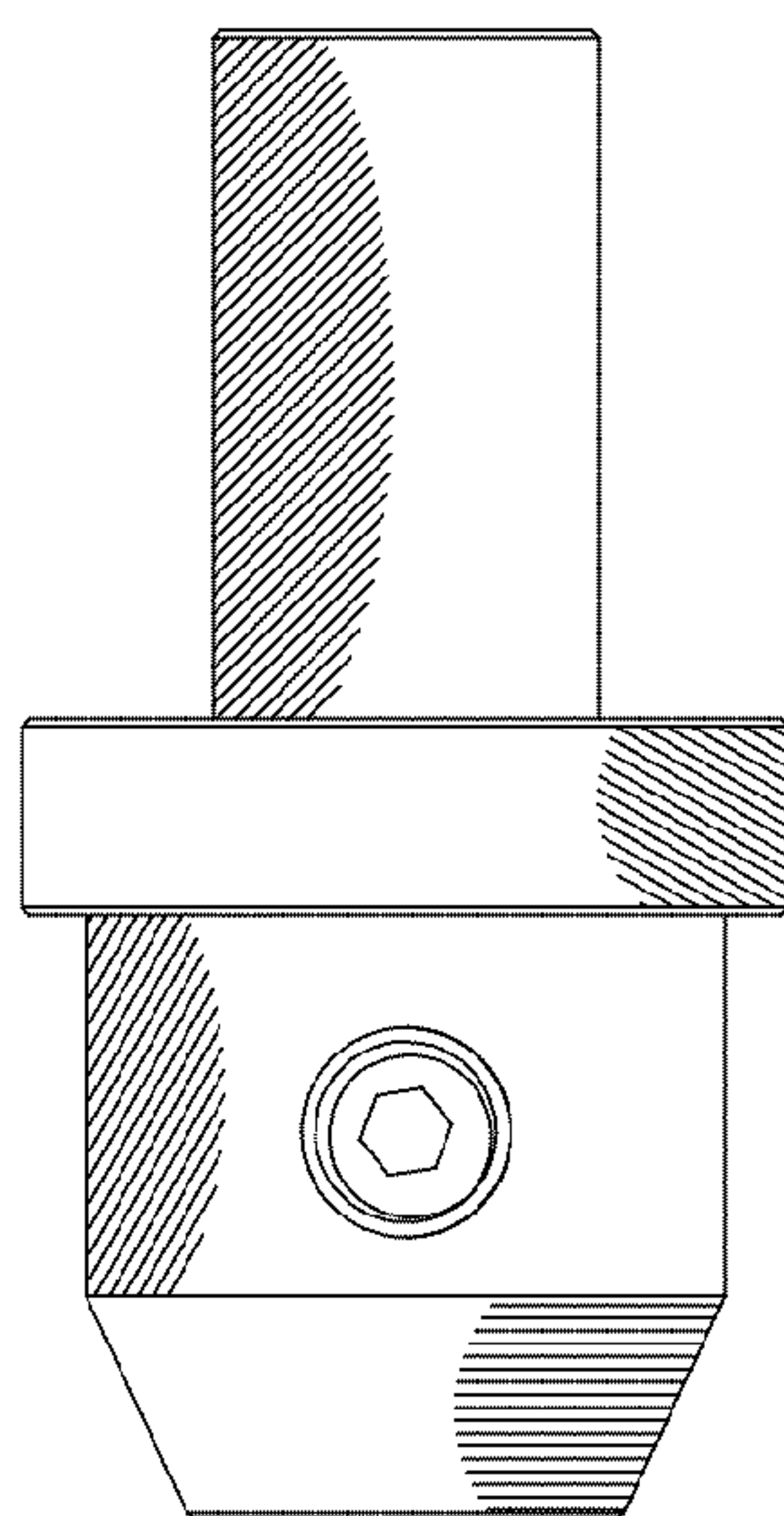


Fig. 10

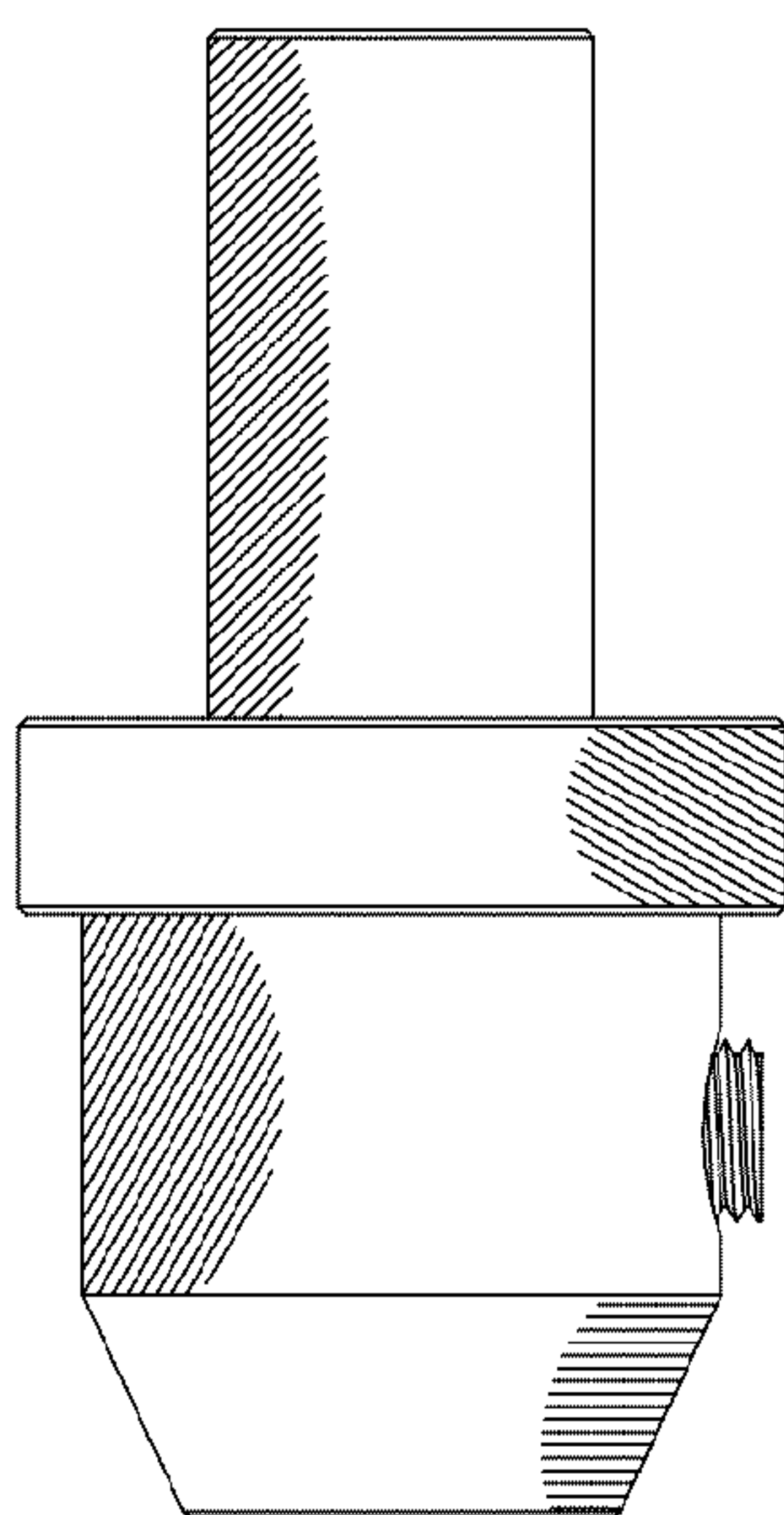


Fig. 11

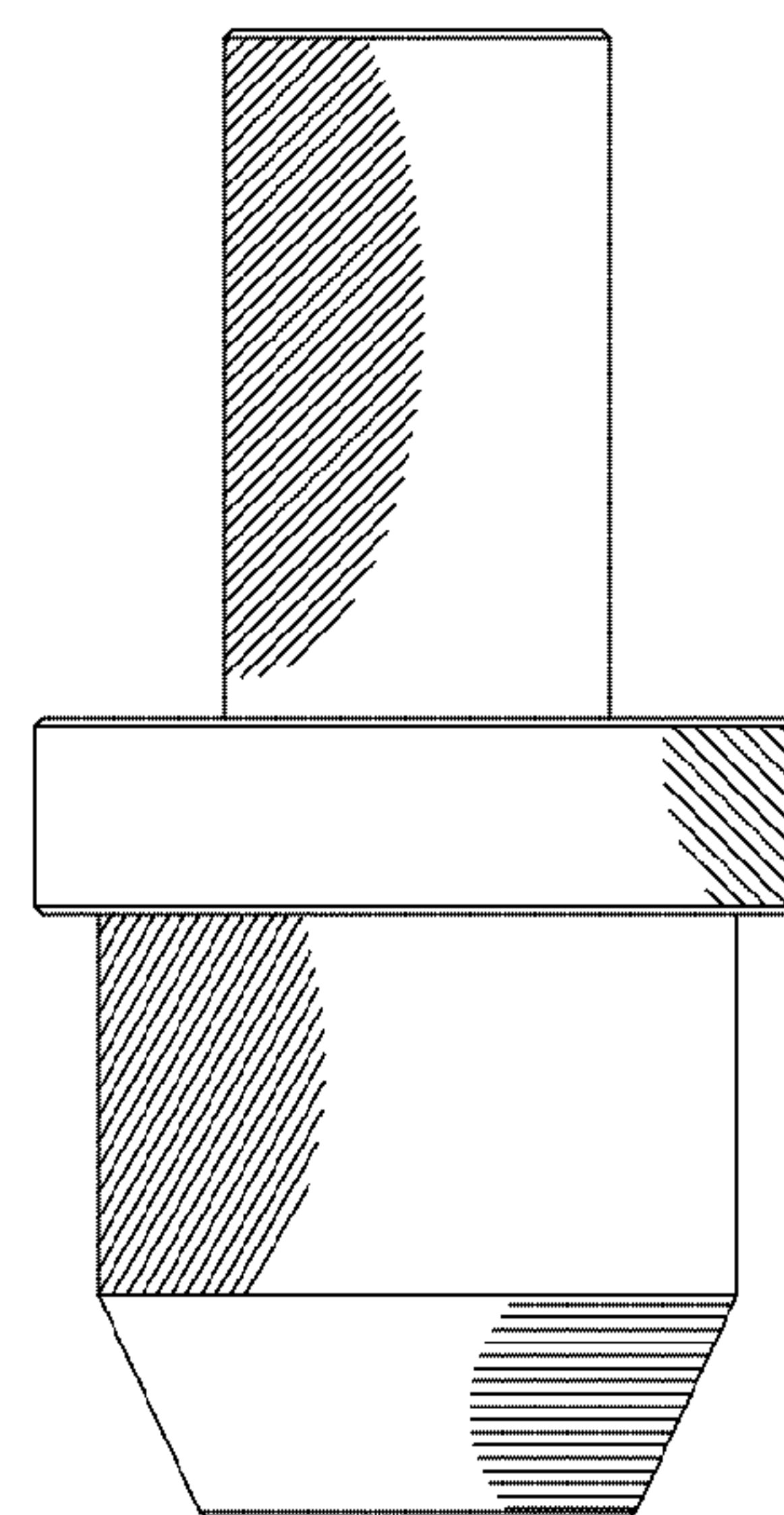


Fig. 12

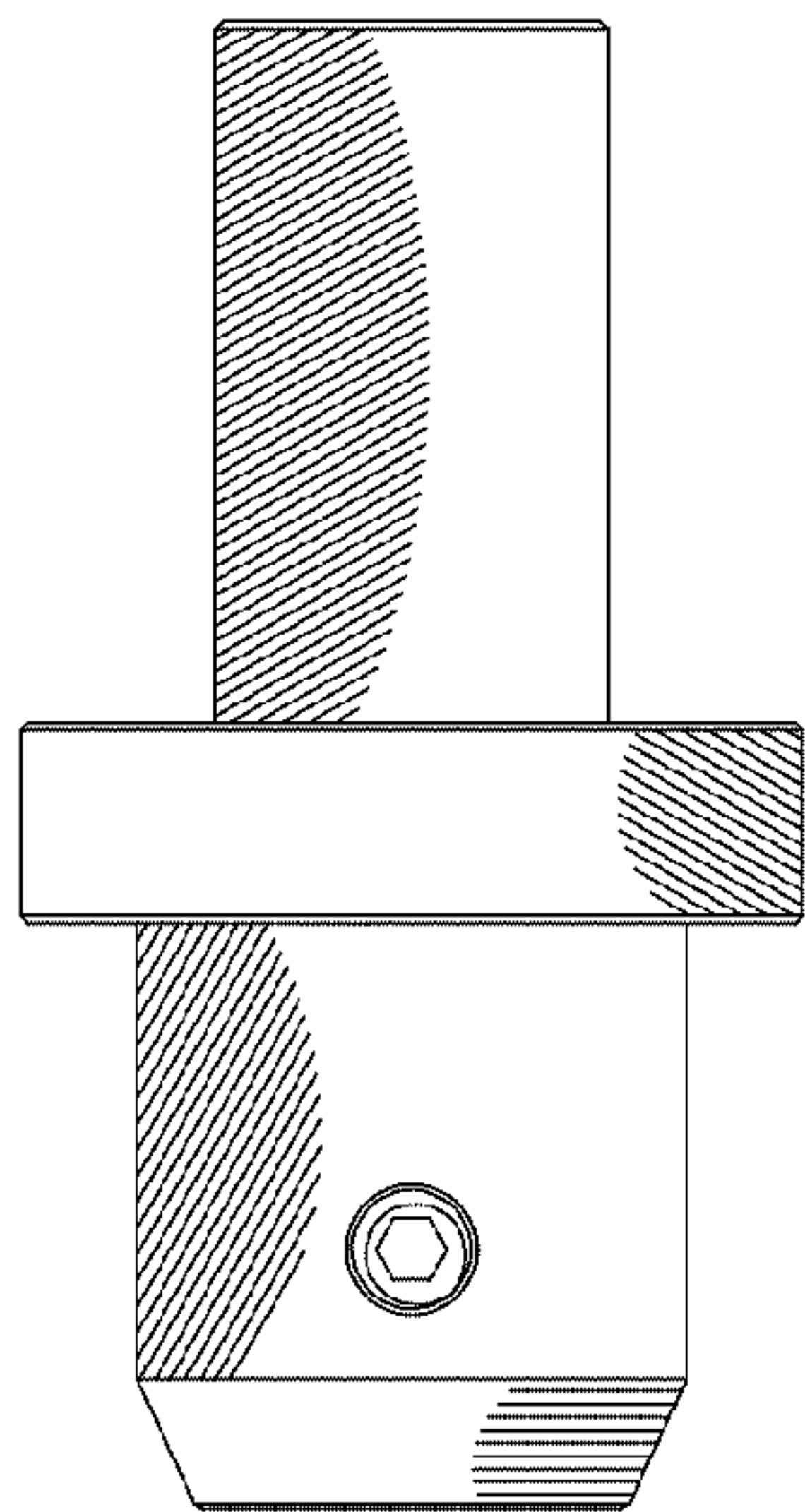


Fig. 13

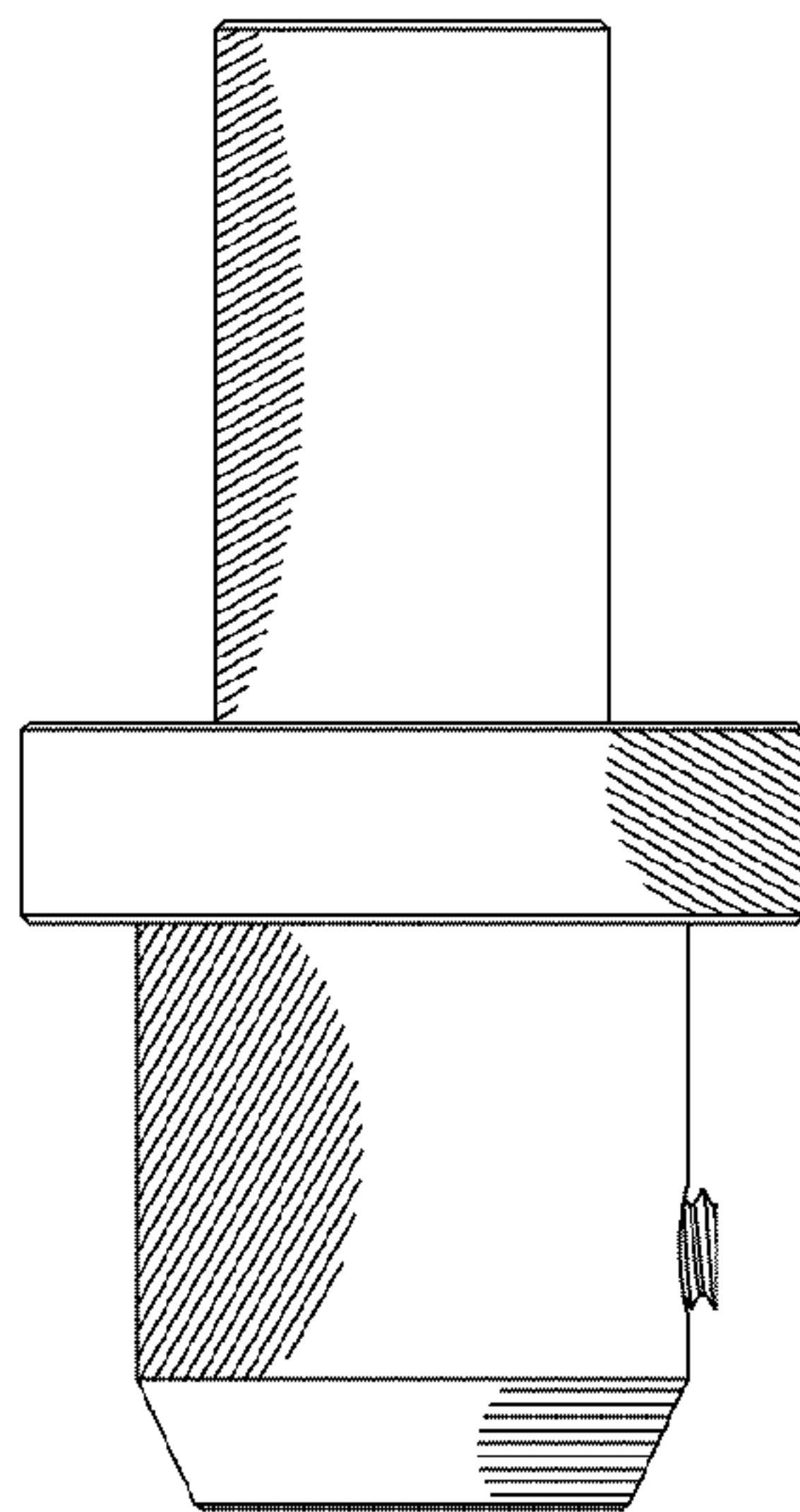


Fig. 14

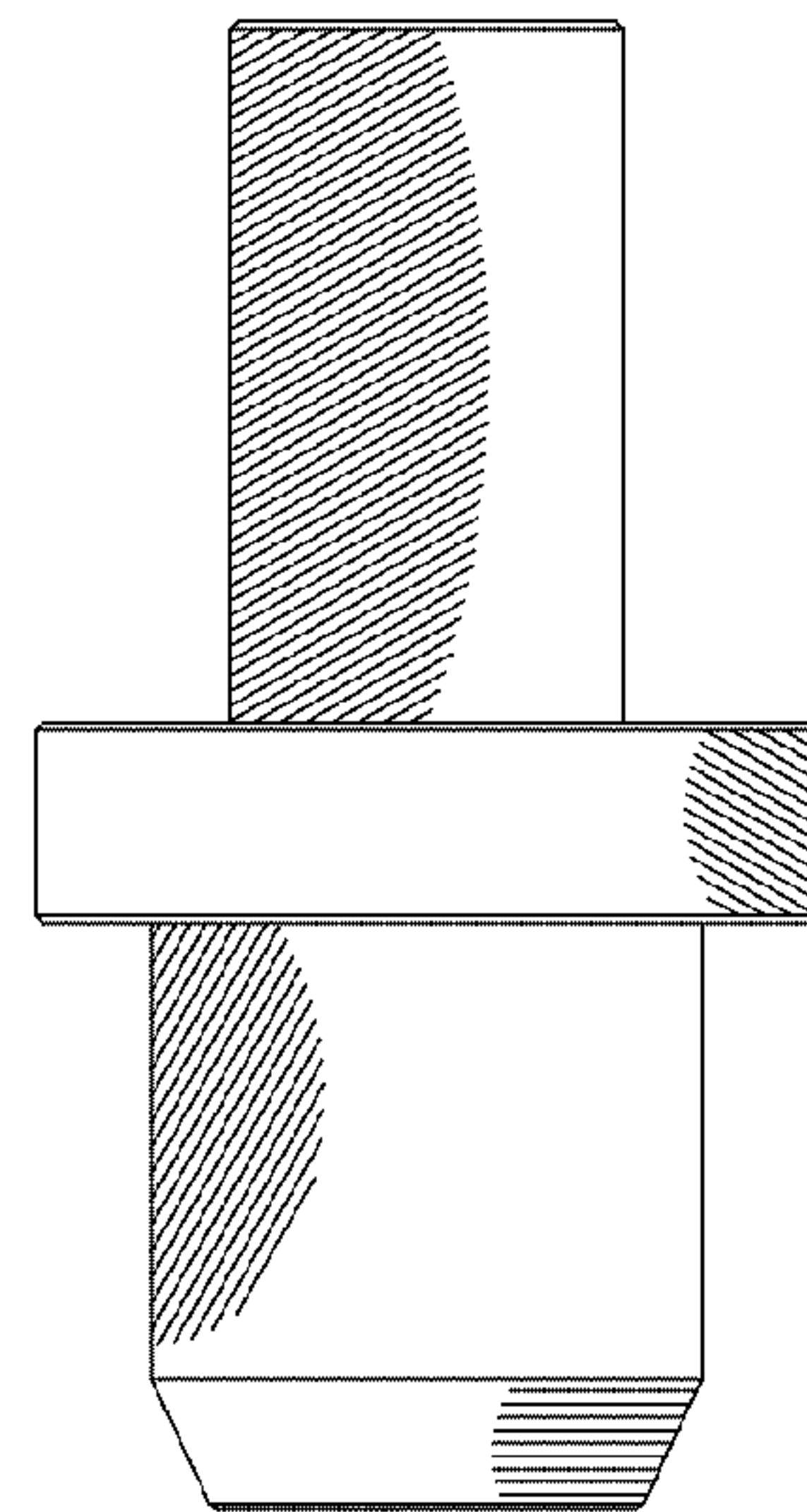


Fig. 15