



US00D643863S

(12) **United States Design Patent**
Barnes et al.

(10) **Patent No.:** **US D643,863 S**

(45) **Date of Patent:** **** Aug. 23, 2011**

(54) **NARROW BELT DRIVE WHEEL LINER**

(75) Inventors: **Ken Barnes**, Bedford, IN (US); **Larry Lee**, Oolitic, IN (US)

(73) Assignee: **Alsa, LLC**, Bedford, IN (US)

(**) Term: **14 Years**

(21) Appl. No.: **29/380,386**

(22) Filed: **Dec. 3, 2010**

(51) **LOC (9) Cl.** **15-09**

(52) **U.S. Cl.** **D15/133**

(58) **Field of Classification Search** D8/70;
D15/124, 126, 133, 138; D23/269, 393;
29/76.3; 51/295, 309; 125/21, 22, 357; 451/21,
451/296, 297, 298, 489, 522, 527
See application file for complete search history.

6,112,739	A *	9/2000	Hoerner et al.	125/21
D447,223	S *	8/2001	Mattsson et al.	D23/269
6,283,112	B1	9/2001	Berglund	
D498,826	S *	11/2004	Takahiro et al.	D23/269
D515,675	S *	2/2006	Tremoulet et al.	D23/269
D534,253	S *	12/2006	Sandman et al.	D23/269
D572,348	S *	7/2008	Arosio	D23/269
D638,523	S *	5/2011	Yoshida et al.	D23/269
2010/0071681	A1	3/2010	Bade	
2011/0056397	A1 *	3/2011	Nishikawa et al.	101/375

FOREIGN PATENT DOCUMENTS

DE	2154428	5/1973
EP	0014776	9/1980
EP	0358112	3/1990
EP	0527344	2/1993
FR	1241807	9/1960
SU	0419402	3/1974

OTHER PUBLICATIONS

WF Meyers Company, Inc. Brochure—Meyers Narrow Belt Block Saw, Aug. 1991.

* cited by examiner

Primary Examiner — Patricia Palasik

(74) *Attorney, Agent, or Firm* — Overhauser Law Offices, LLC

(57) **CLAIM**

The ornamental design for a narrow belt drive wheel liner, as shown and described.

DESCRIPTION

FIG. 1 is a perspective view, from an approximately 45° angle, of a narrow belt drive wheel liner according to our design;

FIG. 2 is a front view thereof;

FIG. 3 is a top view thereof; and,

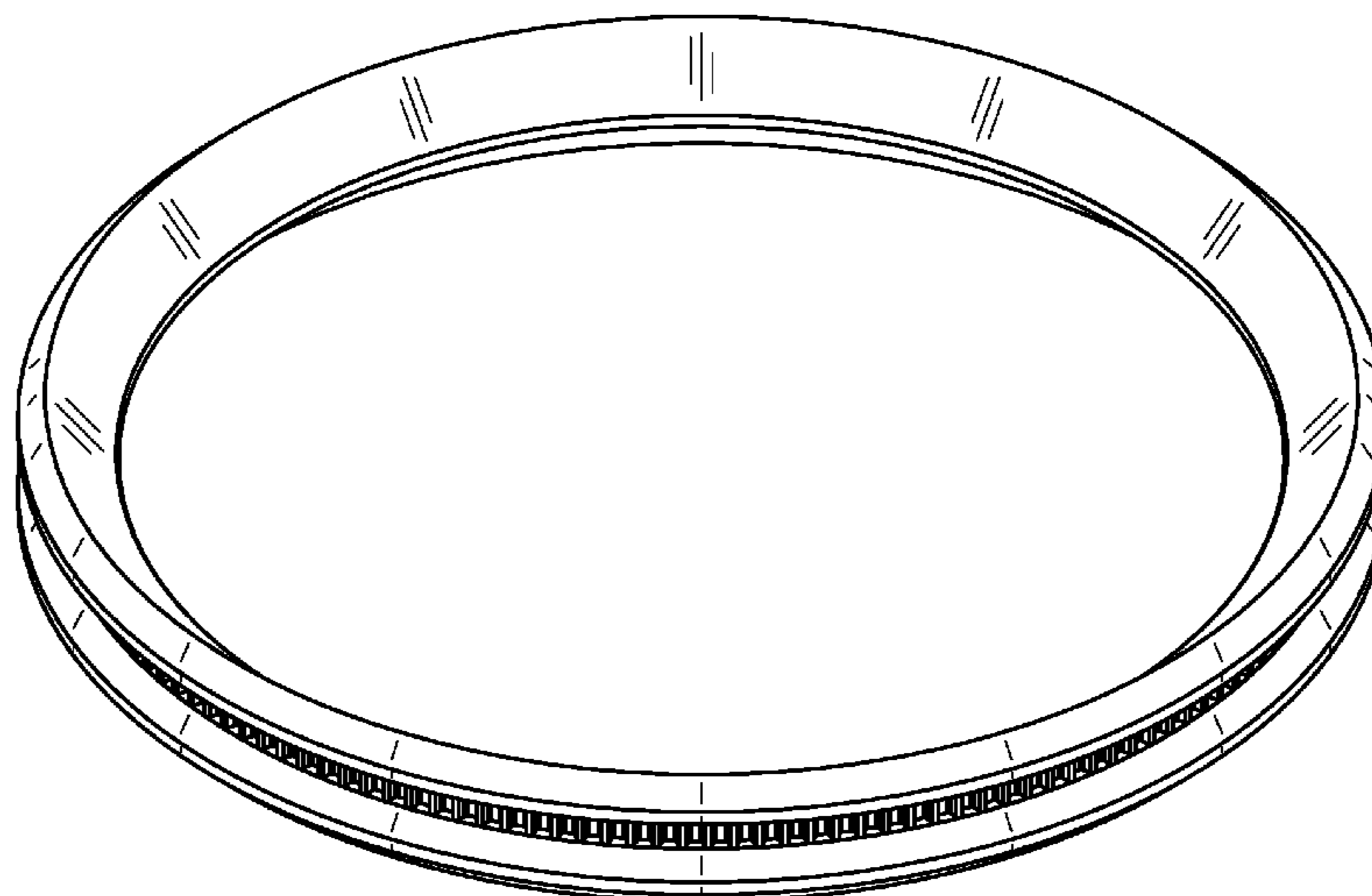
FIG. 4 is another perspective view, from an approximately 20° angle, thereof.

1 Claim, 4 Drawing Sheets

(56) **References Cited**

U.S. PATENT DOCUMENTS

1,043,433	A	11/1912	Jackson	
2,362,979	A	11/1944	Anderson	
3,672,881	A	6/1972	Sowko, Sr.	
4,097,246	A	6/1978	Olson	
4,603,678	A	8/1986	Fish	
4,679,541	A	7/1987	Fish	
4,758,107	A	7/1988	Sakai	
4,856,490	A	8/1989	Kawase et al.	
4,945,889	A	8/1990	Fish	
4,971,022	A	11/1990	Scott	
5,181,503	A	1/1993	Fish et al.	
5,212,895	A *	5/1993	Camilleri	37/364
5,305,730	A	4/1994	Fish	
D347,885	S *	6/1994	Gustafsson	D23/269
5,392,567	A *	2/1995	Nagai et al.	451/8
5,630,500	A	5/1997	Conrad	
D380,039	S *	6/1997	Sutherland et al.	D23/269
5,749,775	A	5/1998	Fish	
5,891,206	A	4/1999	Ellingson	
6,021,773	A	2/2000	Svensson	
6,102,789	A	8/2000	Ramanath	



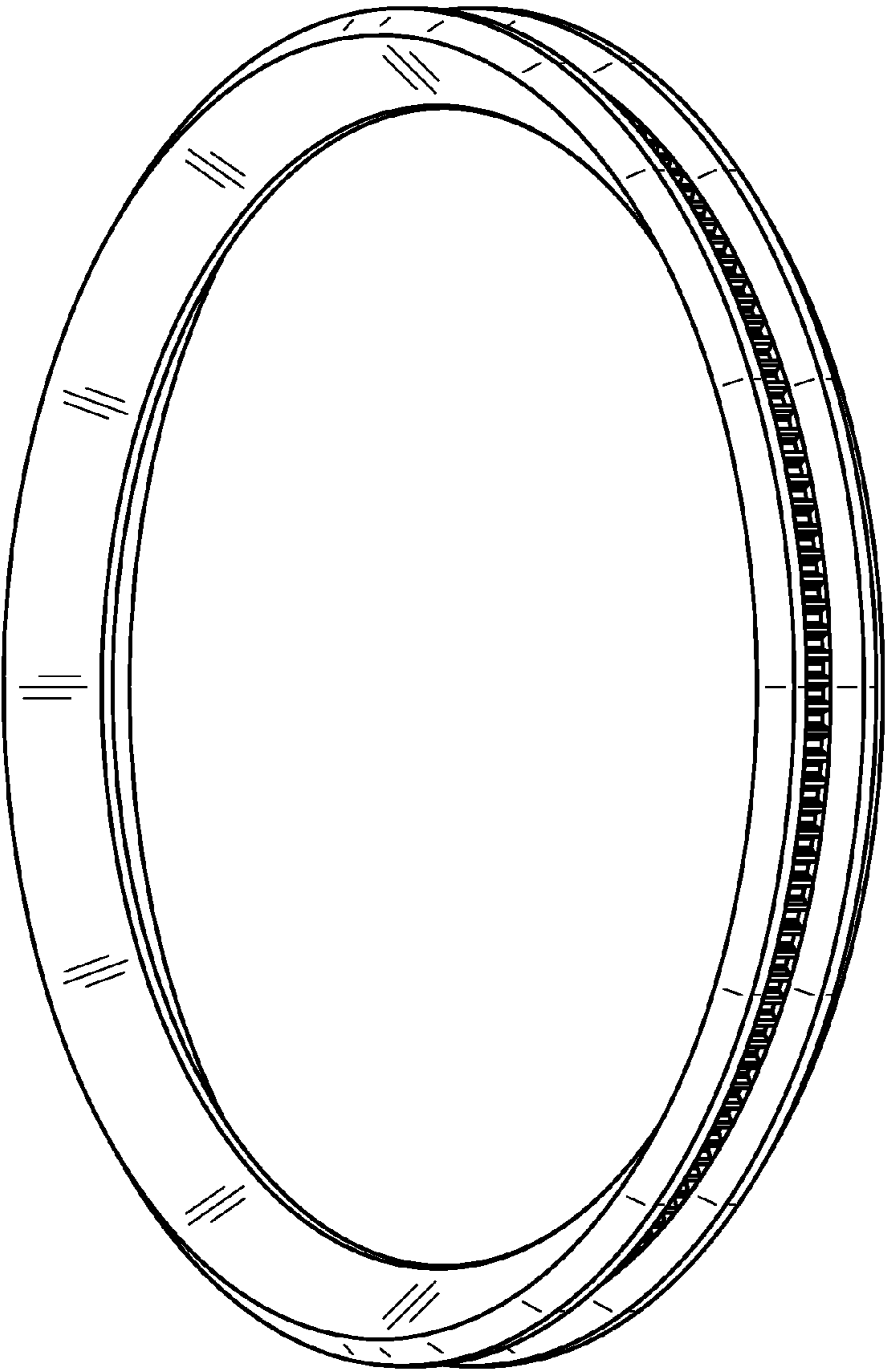


FIG. 1

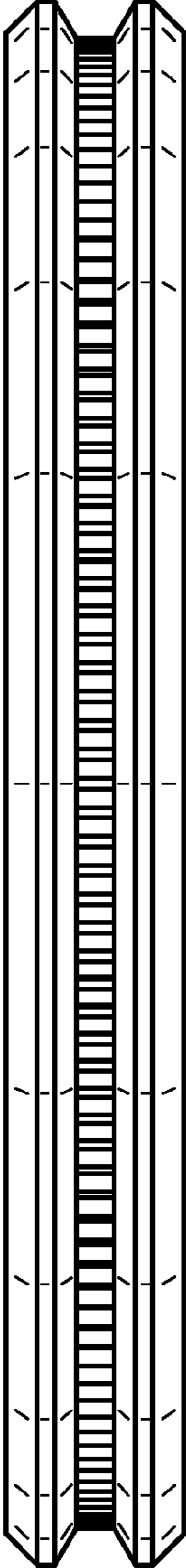


FIG. 2

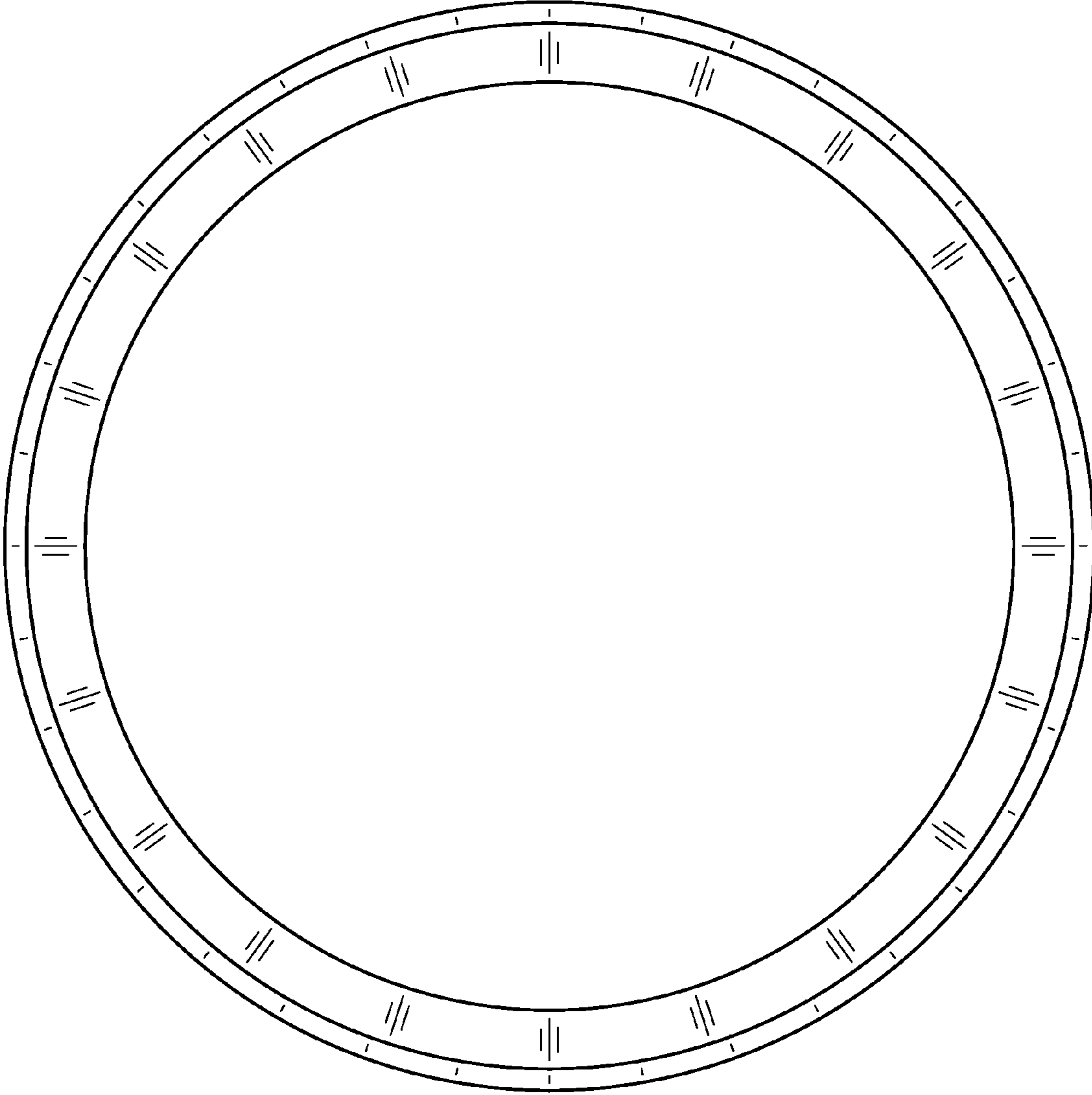


FIG. 3

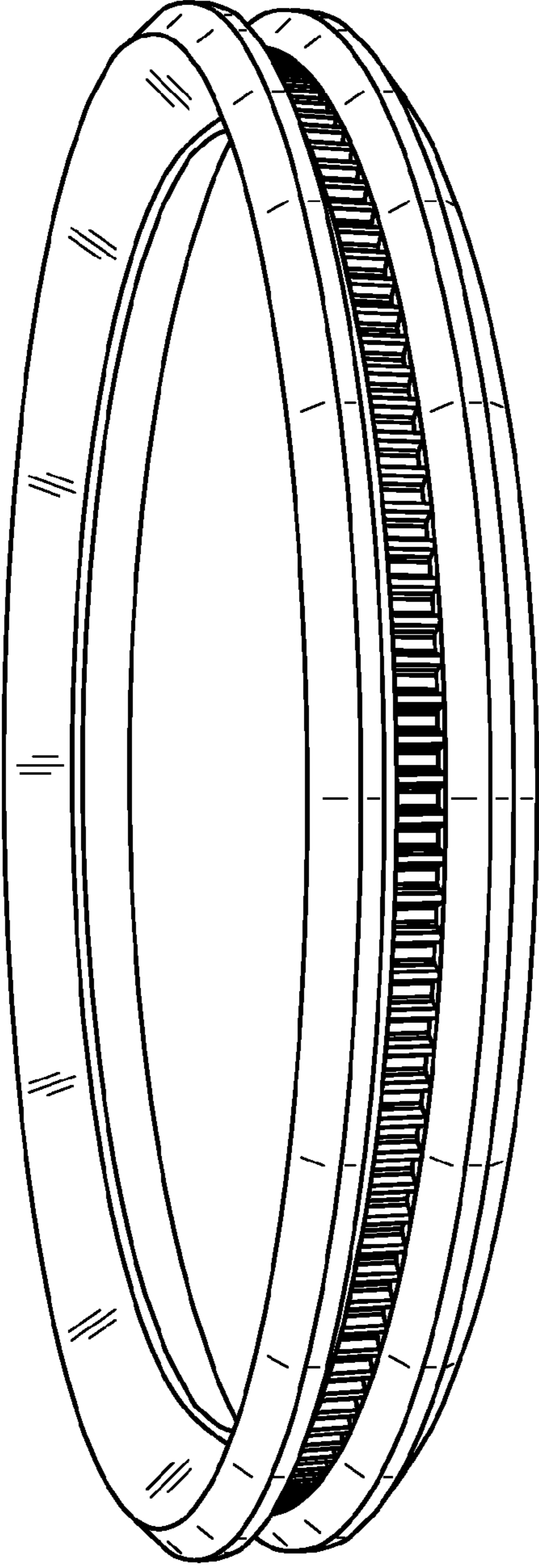


FIG. 4