

US00D643861S

(12) **United States Design Patent**
Jones et al.

(10) **Patent No.:** **US D643,861 S**
(45) **Date of Patent:** **** Aug. 23, 2011**

(54) **KIOSK AND MACHINE FOR ASSEMBLY OF FROZEN CONFECTIONERY**

(75) Inventors: **Allan S. Jones**, Awendaw, SC (US);
Jack F. Rutledge, Chattanooga, TN (US);
James S. Wolf, Silver Lake, OH (US);
Jeffrey L. Redington, Nooksack, WA (US);
Scott E. Osborn, Knoxville, TN (US)

(73) Assignee: **Puffin Innovations, LLC**, Awendaw, SC (US)

(**) Term: **14 Years**

(21) Appl. No.: **29/379,011**

(22) Filed: **Nov. 12, 2010**

Related U.S. Application Data

(63) Continuation-in-part of application No. 11/669,768, filed on Jan. 31, 2007, now Pat. No. 7,896,038.

(51) **LOC (9) Cl.** **15-07**

(52) **U.S. Cl.** **D15/82**

(58) **Field of Classification Search** D15/79,
D15/80, 81, 82; 312/400-408; 62/3.6, 3.61,
62/3.64, 246, 371, 384, 389, 440, 531
See application file for complete search history.

(56) **References Cited**

U.S. PATENT DOCUMENTS

2,728,306	A	3/1949	Tarr
3,876,110	A	4/1975	Logie
4,009,740	A	3/1977	Michielli
4,174,742	A	11/1979	Murphey
4,324,059	A	4/1982	Baum
4,645,093	A	2/1987	Jones
4,860,876	A	8/1989	Moore et al.
4,889,210	A	12/1989	Alcaraz et al.
4,942,910	A	7/1990	Hamamura

5,027,698	A	7/1991	Chirnomas
5,727,609	A	3/1998	Knight et al.
D406,154	S *	2/1999	Copland et al. D15/82
5,893,485	A	4/1999	McGill
5,959,869	A	9/1999	Miller et al.
6,328,180	B1	12/2001	Sorensen et al.
6,390,334	B1	5/2002	Kim et al.
D466,138	S *	11/2002	Baldonado et al. D15/82
6,513,677	B1	2/2003	Sorensen et al.
6,560,973	B2	5/2003	Jones et al.
D485,566	S *	1/2004	Ledingham et al. D15/82
6,899,337	B2	5/2005	Fisher et al.
6,929,149	B2	8/2005	Selfridge et al.
D514,601	S *	2/2006	Helman et al. D15/82
7,052,728	B2	5/2006	Kateman et al.
7,128,237	B2	10/2006	Holdway et al.
7,128,239	B2	10/2006	Skavnak
D535,668	S *	1/2007	Moore D15/82
2004/0251270	A1	12/2004	Davis et al.
2005/0211768	A1	9/2005	Stillman

FOREIGN PATENT DOCUMENTS

EP	1450318	8/2004
WO	9115833	4/1991

* cited by examiner

Primary Examiner — Shanda C Hill

(74) *Attorney, Agent, or Firm* — Sand & Sebolt

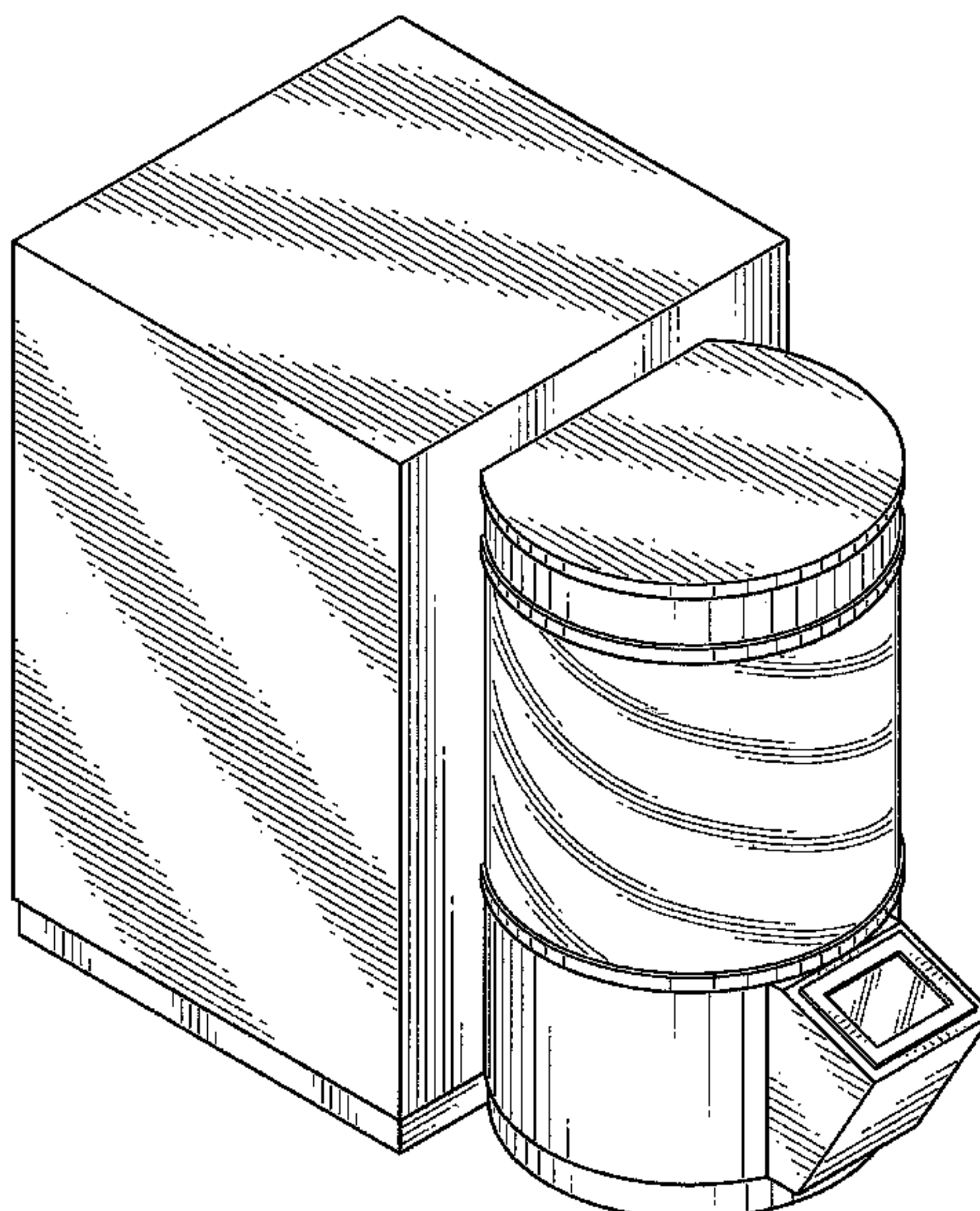
(57) **CLAIM**

The ornamental design for kiosk and machine for assembly of frozen confectionery, as shown and described.

DESCRIPTION

FIG. 1 is a perspective front view of the kiosk and machine in accordance with the present design;
FIG. 2 is a front view thereof;
FIG. 3 is a top view thereof;
FIG. 4 is a rear view thereof;
FIG. 5 is a left side view thereof; and,
FIG. 6 is a right side view thereof.

1 Claim, 6 Drawing Sheets



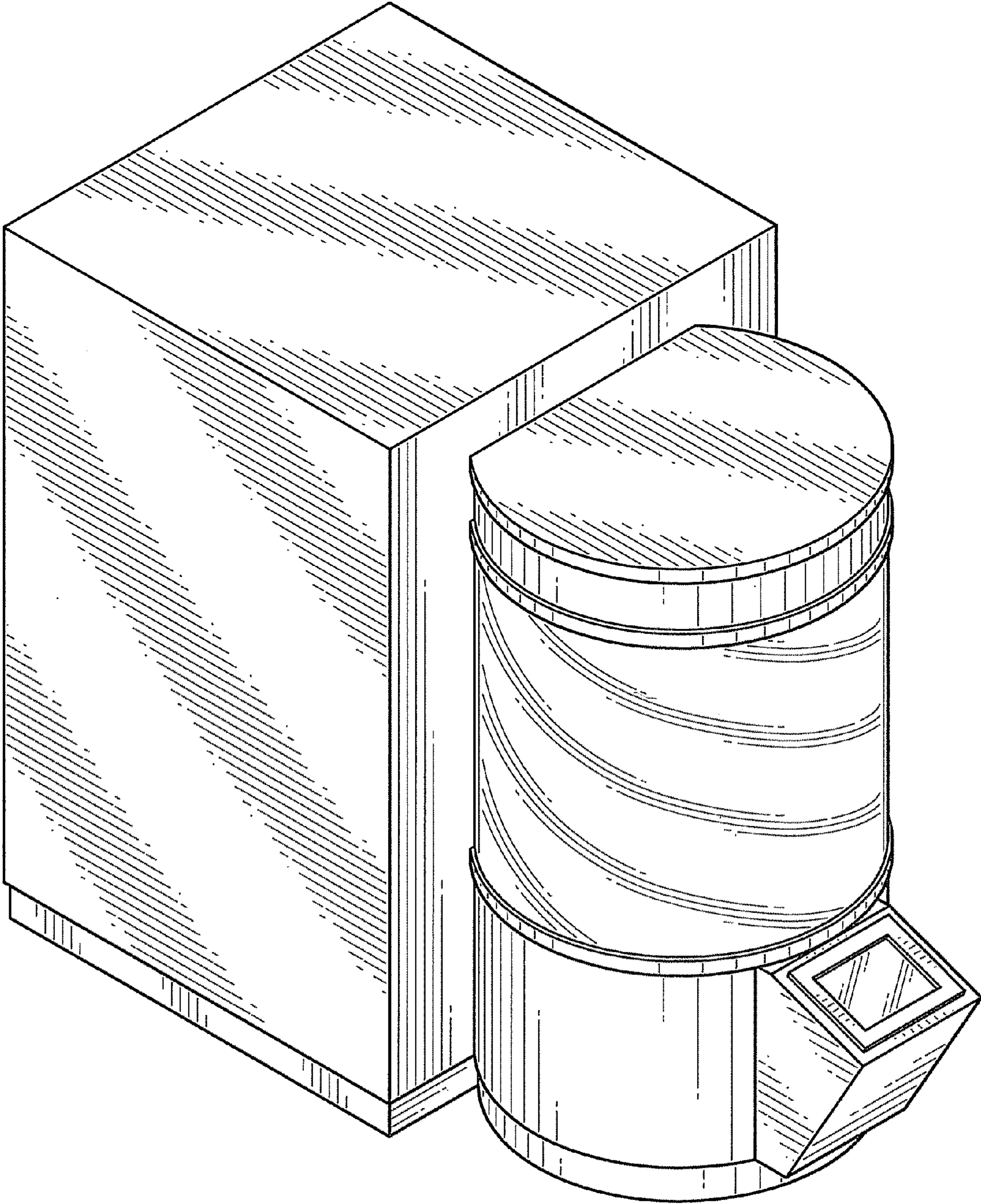


FIG-1

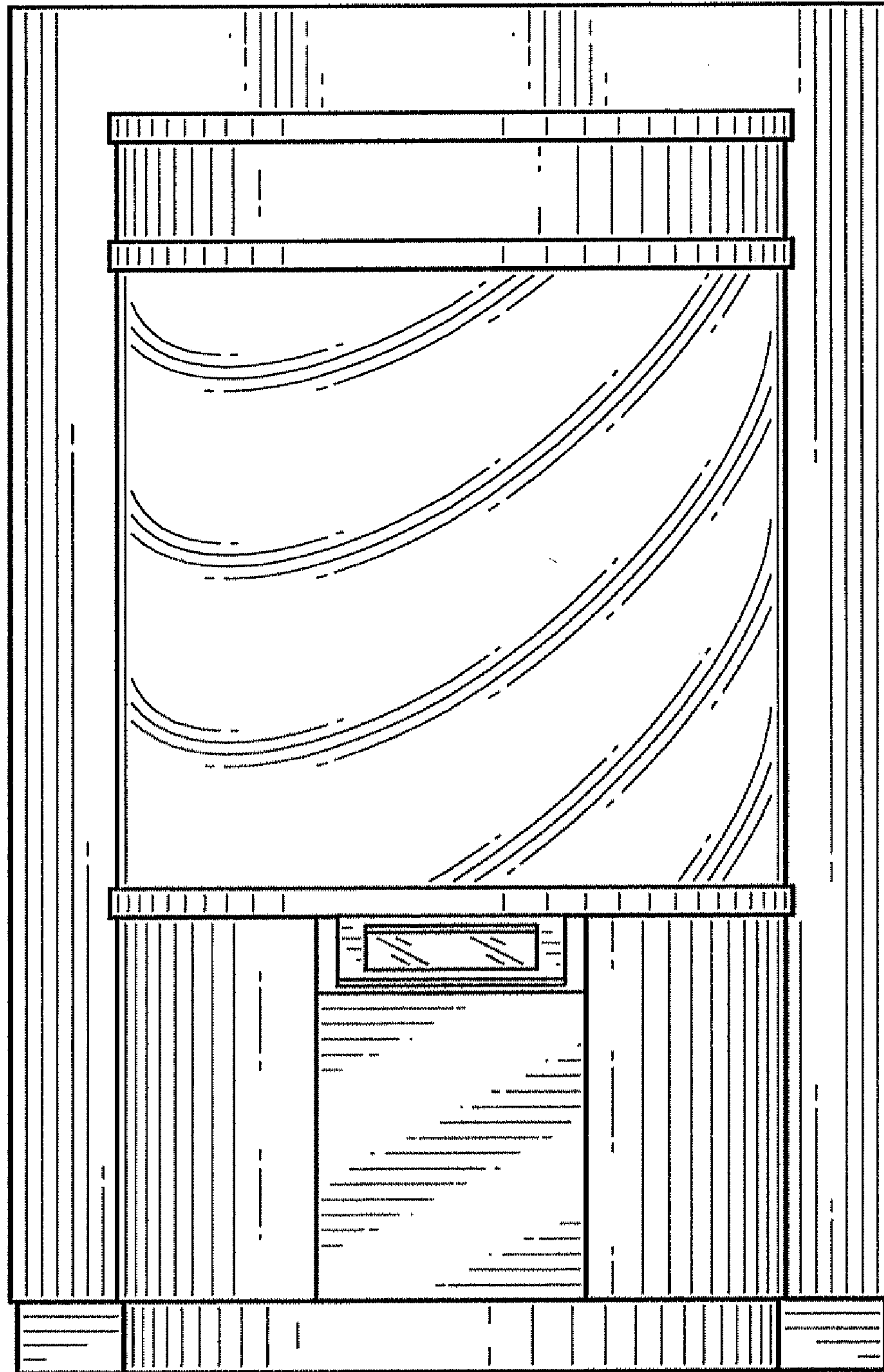


FIG-2

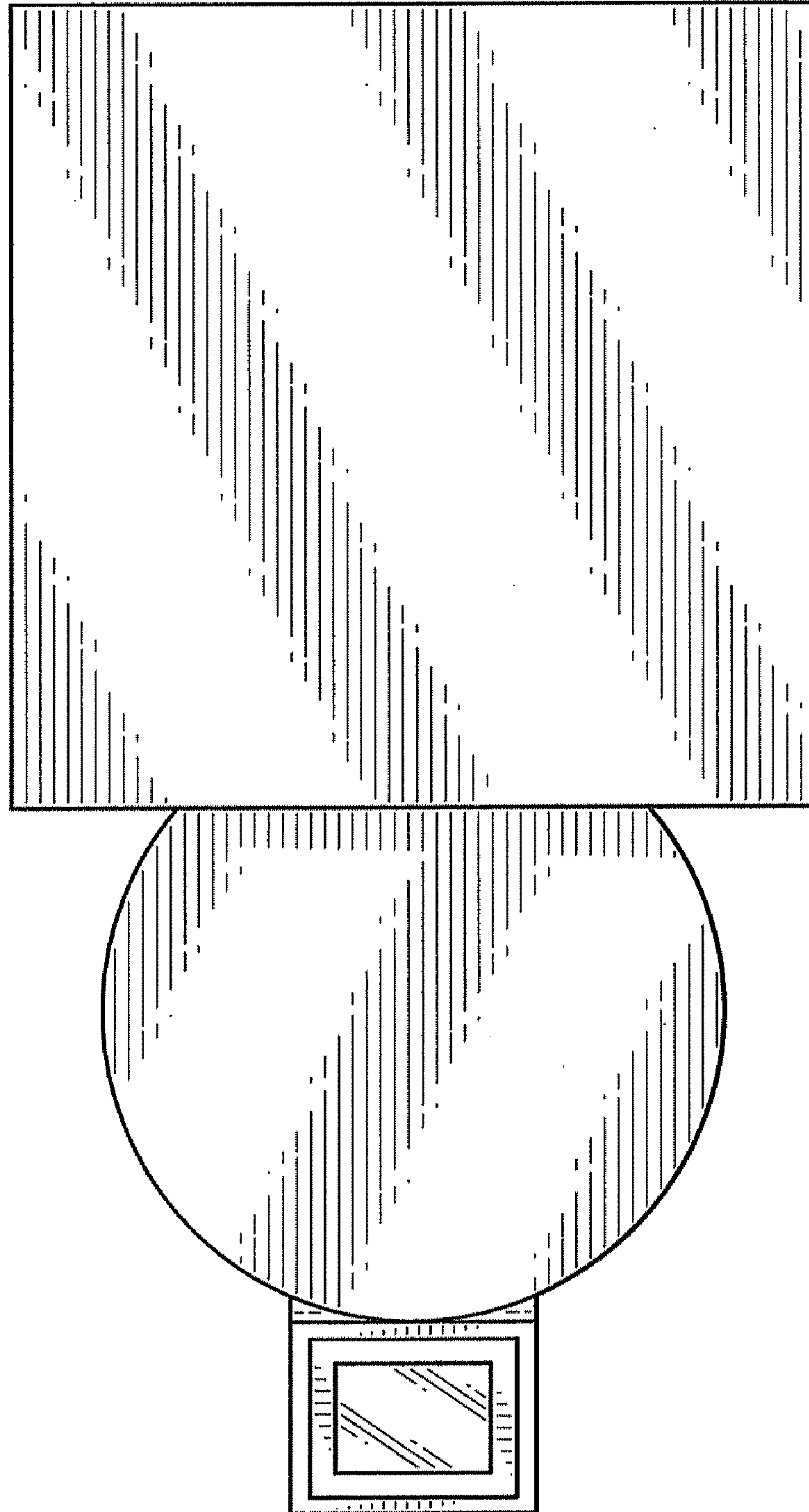


FIG-3

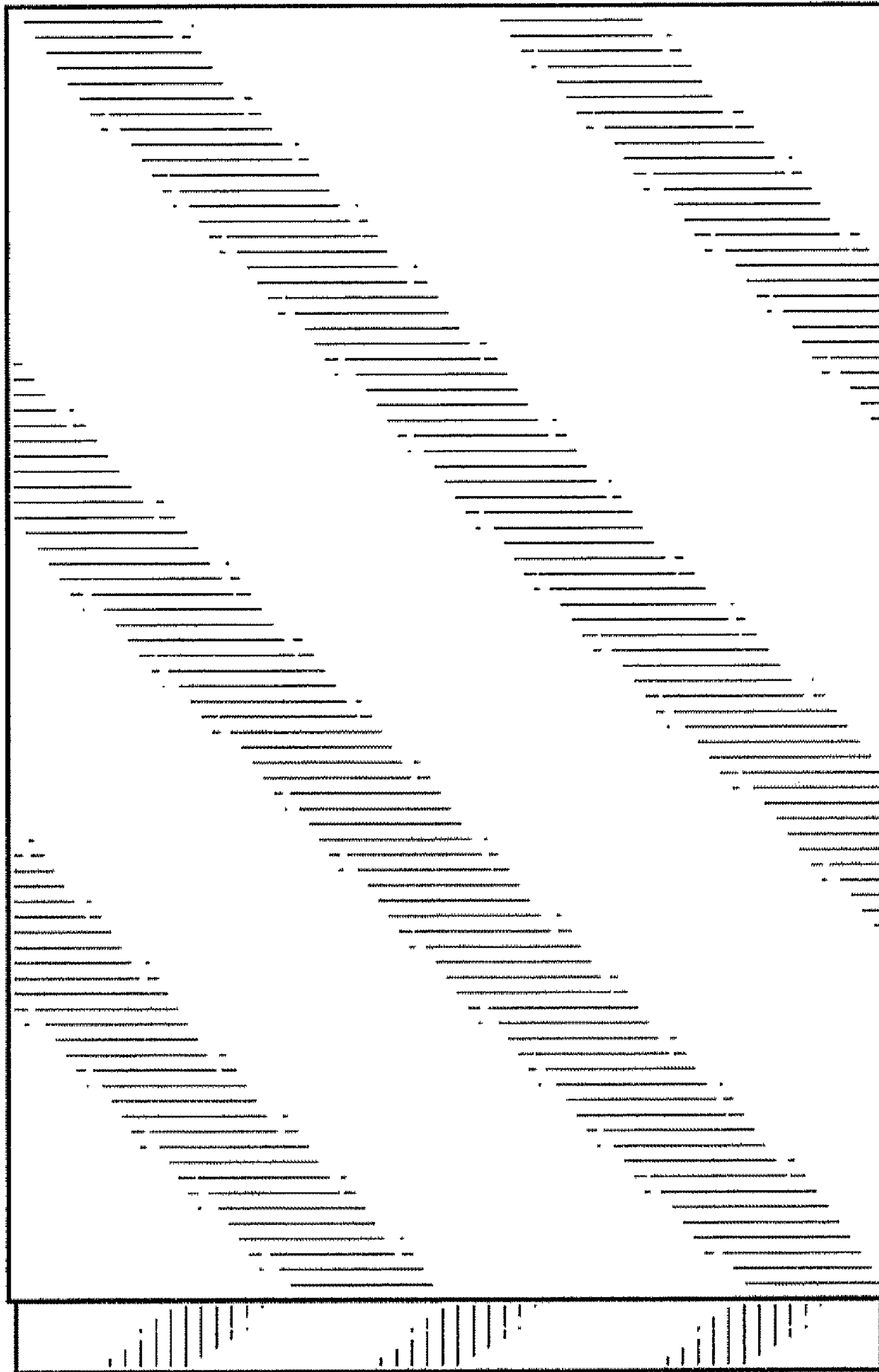


FIG-4

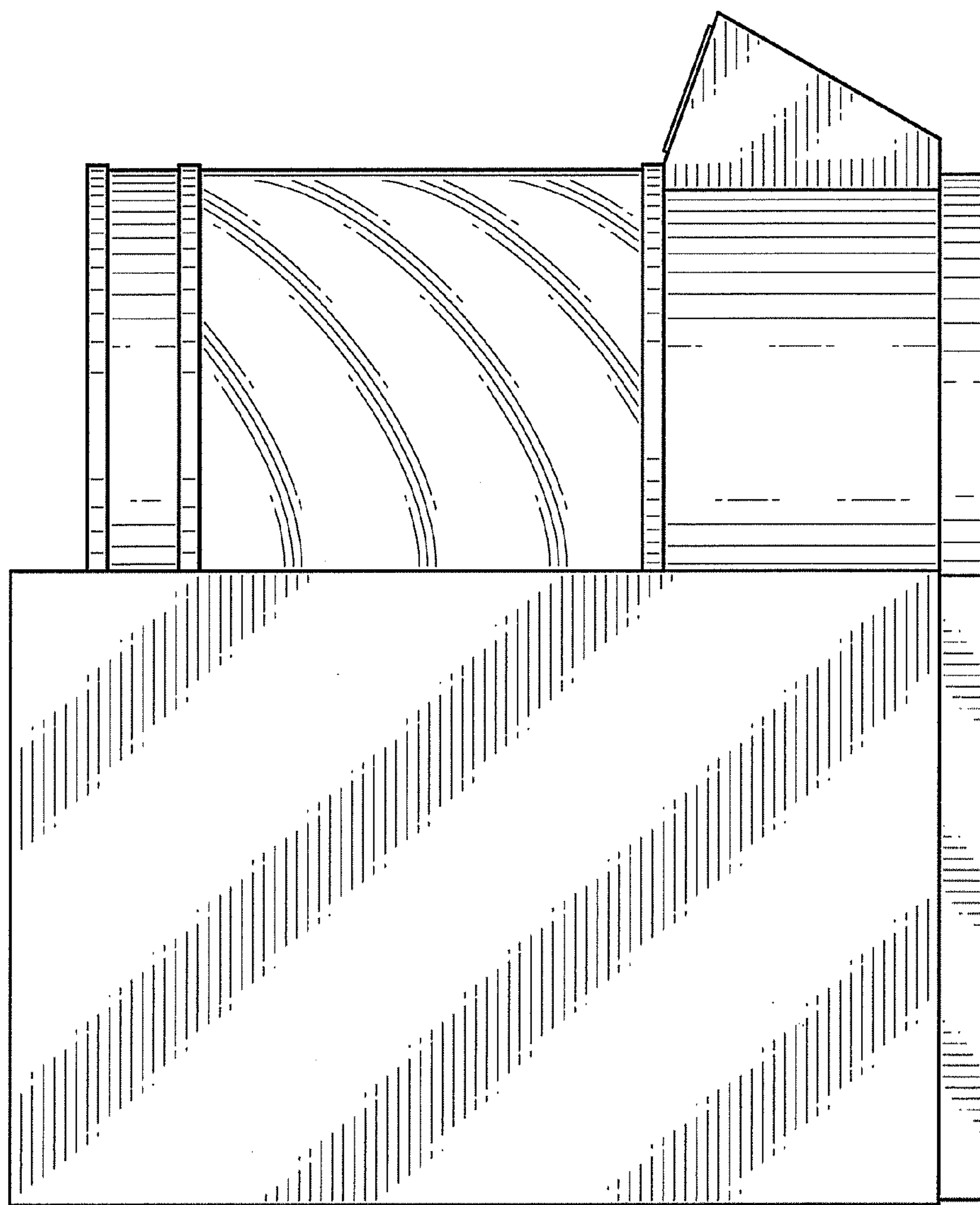


FIG-5

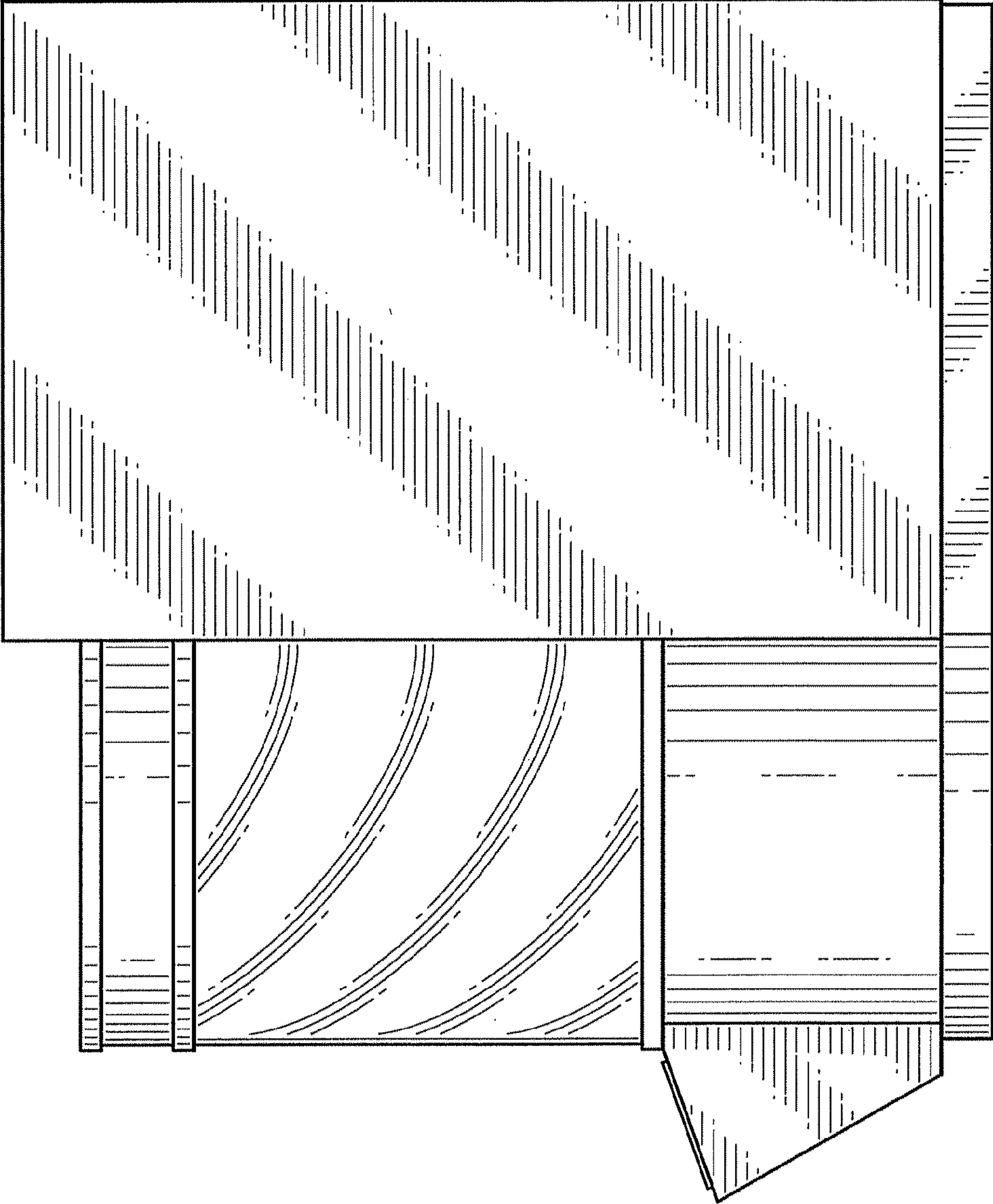


FIG-6