



US00D643860S

(12) **United States Design Patent**
Busley

(10) **Patent No.:** **US D643,860 S**

(45) **Date of Patent:** **** Aug. 23, 2011**

(54) **BODY PANELS FOR A CONSTRUCTION MACHINE**

(75) Inventor: **Peter Busley**, Linz/Rhein (DE)

(73) Assignee: **Wirtgen GmbH** (DE)

(**) Term: **14 Years**

(21) Appl. No.: **29/383,995**

(22) Filed: **Jan. 25, 2011**

(30) **Foreign Application Priority Data**

Oct. 12, 2010 (EM) 001766692

(51) **LOC (9) Cl.** **15-03**

(52) **U.S. Cl.** **D15/33; D15/28**

(58) **Field of Classification Search** D15/10,
D15/13, 19, 22-26, 28, 33; 404/110, 101,
404/108, 75, 102, 118, 84.05, 105

See application file for complete search history.

(56) **References Cited**

U.S. PATENT DOCUMENTS

D135,005 S	2/1943	Baumgardner	
3,000,277 A	9/1961	Crane et al.	
D239,966 S	5/1976	Swisher et al.	
3,997,277 A	12/1976	Swisher, Jr. et al.	
D256,466 S *	8/1980	Smith et al.	D15/22
D258,887 S	4/1981	Swisher et al.	
4,325,580 A	4/1982	Swisher, Jr. et al.	
D266,850 S	11/1982	Godbersen	
4,826,352 A *	5/1989	Adams, III	404/90
4,938,537 A	7/1990	Rife, Jr. et al.	
5,009,546 A	4/1991	Domenighetti et al.	
D323,511 S	1/1992	Swisher, Jr.	
5,190,398 A	3/1993	Swisher, Jr.	
5,201,603 A	4/1993	Bassett et al.	
5,201,604 A	4/1993	Ferguson et al.	
D362,449 S	9/1995	Swisher, Jr.	
5,511,900 A	4/1996	Macku	

D370,917 S	6/1996	Swisher, Jr.	
5,615,973 A	4/1997	Campbell	
5,722,789 A	3/1998	Murray et al.	
6,007,272 A	12/1999	Macku et al.	
6,071,040 A	6/2000	Macku et al.	
6,099,205 A	8/2000	Macku et al.	
6,193,437 B1	2/2001	Heims	
6,375,386 B1	4/2002	Macku et al.	
D500,056 S	12/2004	DeYoung et al.	
D526,336 S	8/2006	Maas et al.	
D527,393 S	8/2006	Maas et al.	
7,144,192 B2	12/2006	Holl et al.	
7,357,595 B1 *	4/2008	Pfaff	404/92
D568,905 S	5/2008	Heusinger et al.	
D578,142 S	10/2008	Ewringmann	

(Continued)

OTHER PUBLICATIONS

Berning et al., U.S. Appl. No. 29/369,583 for "Body Panels for a Construction Machine", filed Sep. 10, 2010.

(Continued)

Primary Examiner — Mark Goodwin

(74) *Attorney, Agent, or Firm* — Wadley & Patterson, P.C.;
Lucian Wayne Beavers

(57) **CLAIM**

What is claimed is the ornamental design for a body panels for a construction machine, as shown and described.

DESCRIPTION

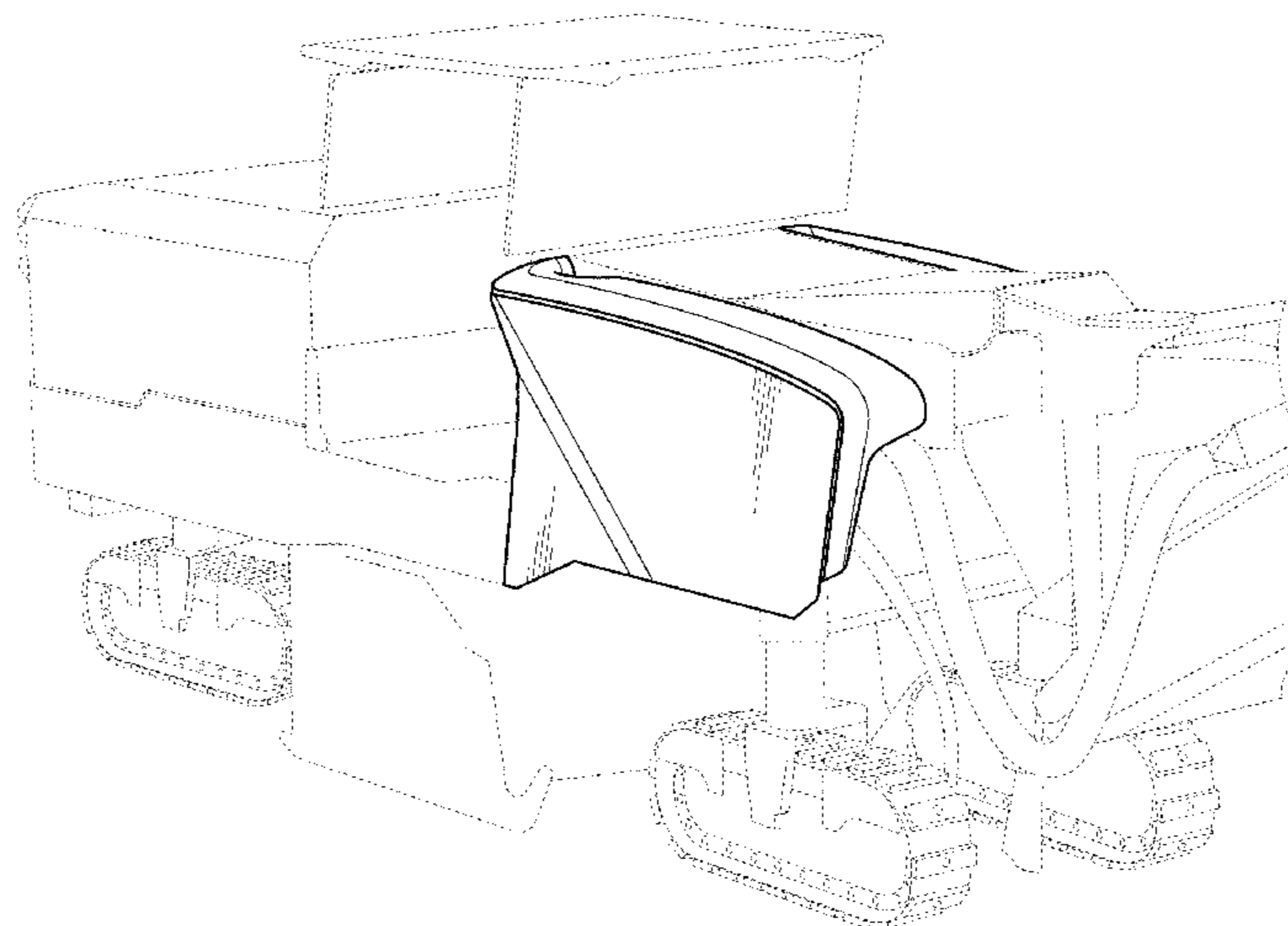
FIG. 1 is a right front perspective view of the body panels for a construction machine showing our new design. The broken line showing of a construction machine in all the figures are for environmental purposes only and form no part of the claimed design.

FIG. 2 is a left front perspective view thereof.

FIG. 3 is a right side elevation view thereof; and,

FIG. 4 is a left side elevation view thereof.

1 Claim, 4 Drawing Sheets



U.S. PATENT DOCUMENTS

D599,825 S 9/2009 Schneider et al.
D608,374 S 1/2010 De Rycke et al.
D626,573 S 11/2010 Koetting et al.
2005/0093282 A1* 5/2005 Gaertner et al. 280/775
2006/0045620 A1* 3/2006 Olson et al. 404/84.1
2006/0045624 A1 3/2006 Nelson
2006/0198701 A1 9/2006 Hall et al.
2008/0152428 A1 6/2008 Berning et al.

OTHER PUBLICATIONS

Berning et al., U.S. Appl. No. 29/369,586 for "Body Panels for a Construction Machine", filed Sep. 10, 2010.

Berning et al., U.S. Appl. No. 29/369,588 for "Body Panels for a Construction Machine", filed Sep. 10, 2010.

Berning et al., U.S. Appl. No. 29/369,590 for "Body Panels for a Construction Machine", filed Sep. 10, 2010.

Berning et al., U.S. Appl. No. 29/369,591 for "Cab for a Construction Machine", filed Sep. 10, 2010.

Peter Busley, U.S. Appl. No. 29/383,989 for "Body Panels for a Construction Machine", filed Jan. 25, 2011.

* cited by examiner

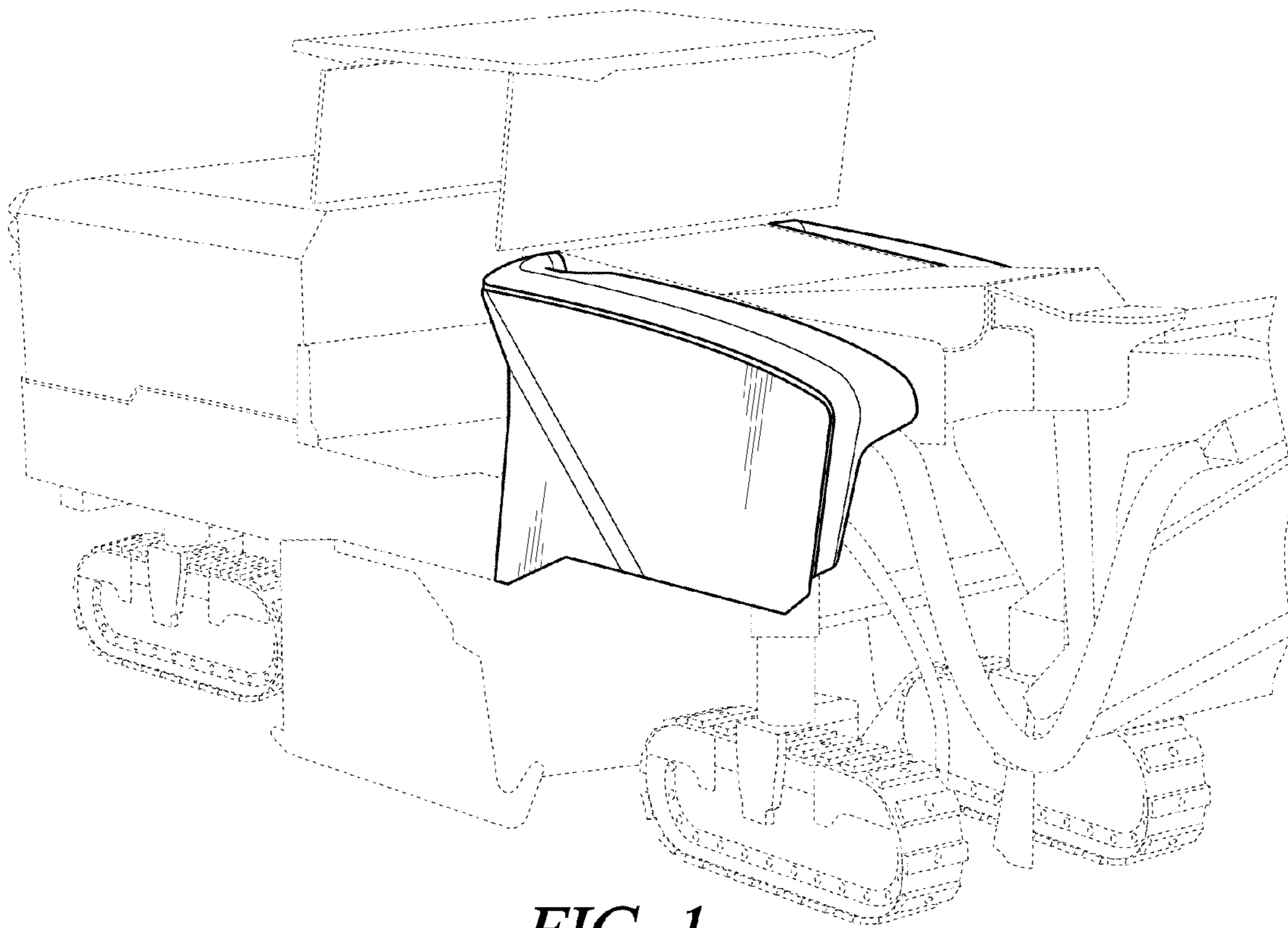


FIG. 1

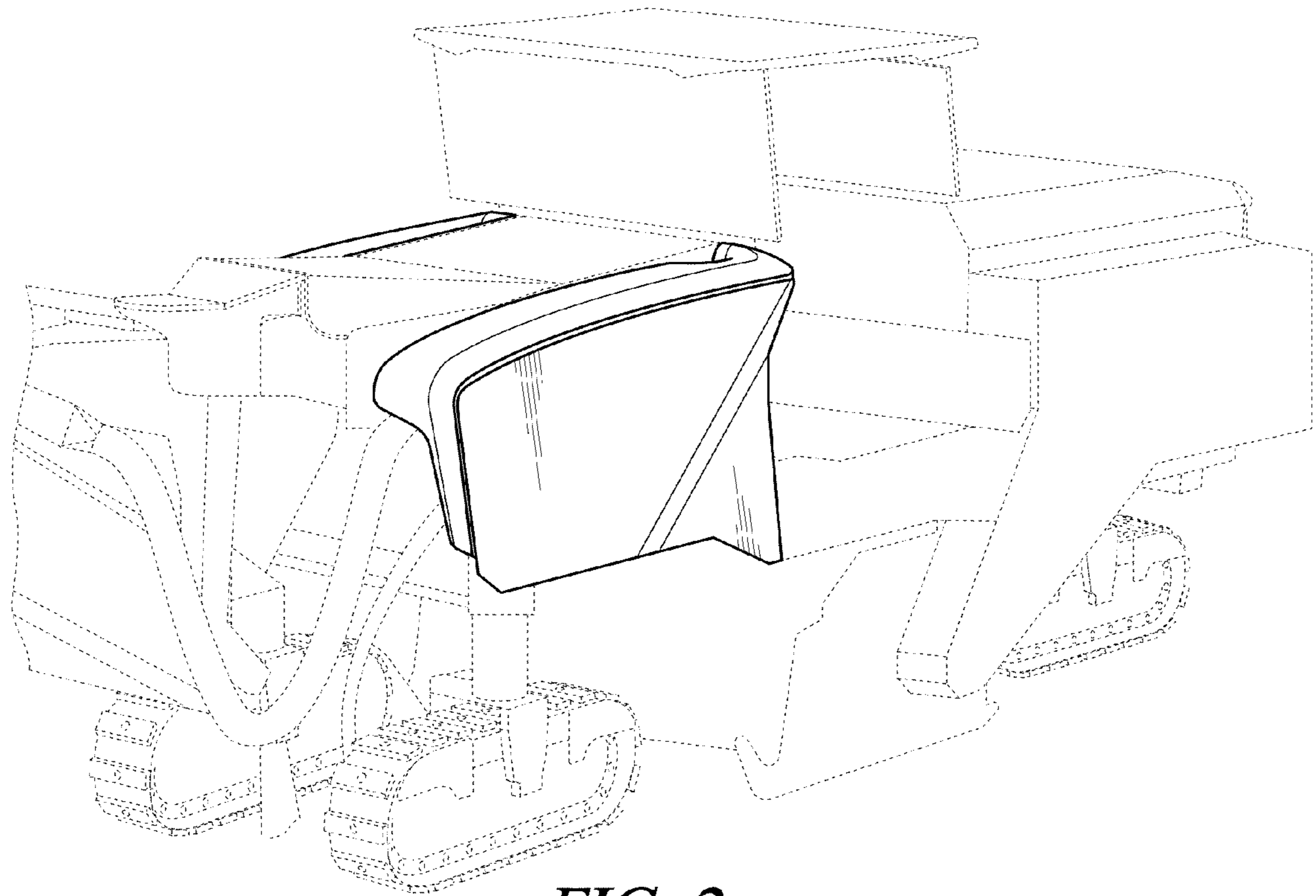


FIG. 2

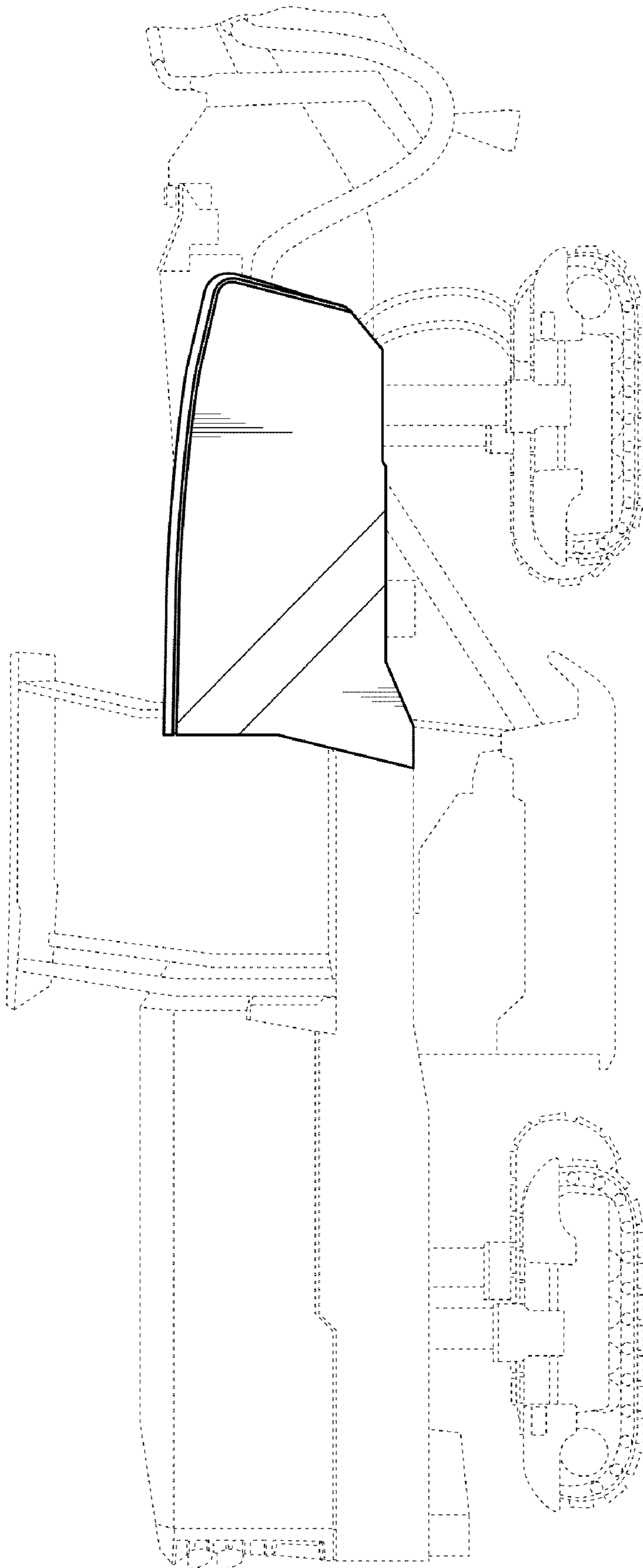


FIG. 3

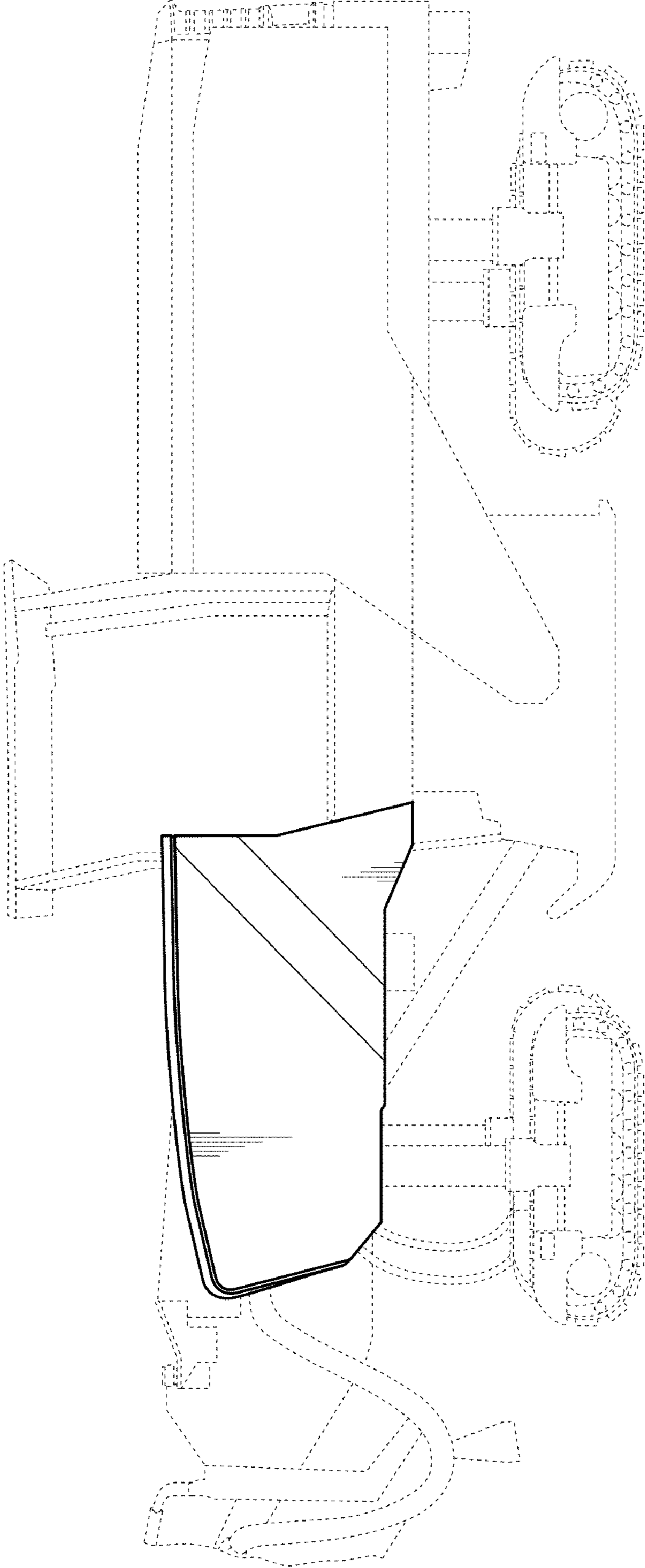


FIG. 4