



US00D643858S

(12) **United States Design Patent**  
**Kopacz et al.**

(10) **Patent No.:** **US D643,858 S**

(45) **Date of Patent:** **\*\* Aug. 23, 2011**

(54) **ASPHALT PAVER**

(75) Inventors: **Jason William Kopacz**, Brooklyn Park, MN (US); **Brent R. Kleinvachter**, Sauk Rapids, MN (US); **Davide Ortolani**, Brooklyn Park, MN (US); **Roberto Gomedì**, Minerbio (IT); **Ciro Sbarra**, Imola (IT); **Ryan Thiesse**, Ostego, MN (US)

(73) Assignee: **Caterpillar Paving Products Inc.**, Minneapolis, MN (US)

(\*\*) Term: **14 Years**

(21) Appl. No.: **29/387,254**

(22) Filed: **Mar. 10, 2011**

**Related U.S. Application Data**

(63) Continuation of application No. 29/380,040, filed on Nov. 30, 2010, which is a continuation of application No. 29/353,438, filed on Jan. 8, 2010, now Pat. No. Des. 632,308.

(51) **LOC (9) Cl.** ..... **15-03**

(52) **U.S. Cl.** ..... **D15/19; D15/22; D15/28**

(58) **Field of Classification Search** ..... D15/10, D15/13, 19, 22-26, 28, 33; 404/110, 101, 404/108, 75, 102, 118, 84.05, 105  
See application file for complete search history.

(56) **References Cited**

**U.S. PATENT DOCUMENTS**

D135,005 S \* 2/1943 Baumgardner ..... D15/10  
3,000,277 A \* 9/1961 Crane et al. .... 404/118

D239,966 S \* 5/1976 Swisher, Jr. et al. .... D15/22  
3,997,277 A \* 12/1976 Swisher et al. .... 404/84.05  
5,009,546 A \* 4/1991 Domenighetti et al. .... 404/110  
5,201,603 A \* 4/1993 Bassett et al. .... 404/84.1  
5,201,604 A \* 4/1993 Ferguson et al. .... 404/110  
D362,449 S \* 9/1995 Swisher, Jr. .... D15/22  
5,511,900 A \* 4/1996 Macku ..... 404/84.1  
D370,917 S \* 6/1996 Swisher, Jr. .... D15/29  
6,007,272 A \* 12/1999 Macku et al. .... 404/92  
6,071,040 A \* 6/2000 Macku et al. .... 404/108  
6,099,205 A \* 8/2000 Macku et al. .... 404/92  
6,193,437 B1 \* 2/2001 Heims ..... 404/110  
6,375,386 B1 \* 4/2002 Macku et al. .... 404/17  
D578,142 S \* 10/2008 Ewringmann ..... D15/22  
D599,825 S \* 9/2009 Schneider et al. .... D15/22  
2006/0045624 A1 \* 3/2006 Nelson ..... 404/95

\* cited by examiner

*Primary Examiner* — Mark Goodwin

(74) *Attorney, Agent, or Firm* — Carl E. Myers

(57) **CLAIM**

The ornamental design for an asphalt paver, as shown and described.

**DESCRIPTION**

FIG. 1 is a right front perspective view of an asphalt paver showing our new design.

FIG. 2 is a right side view thereof.

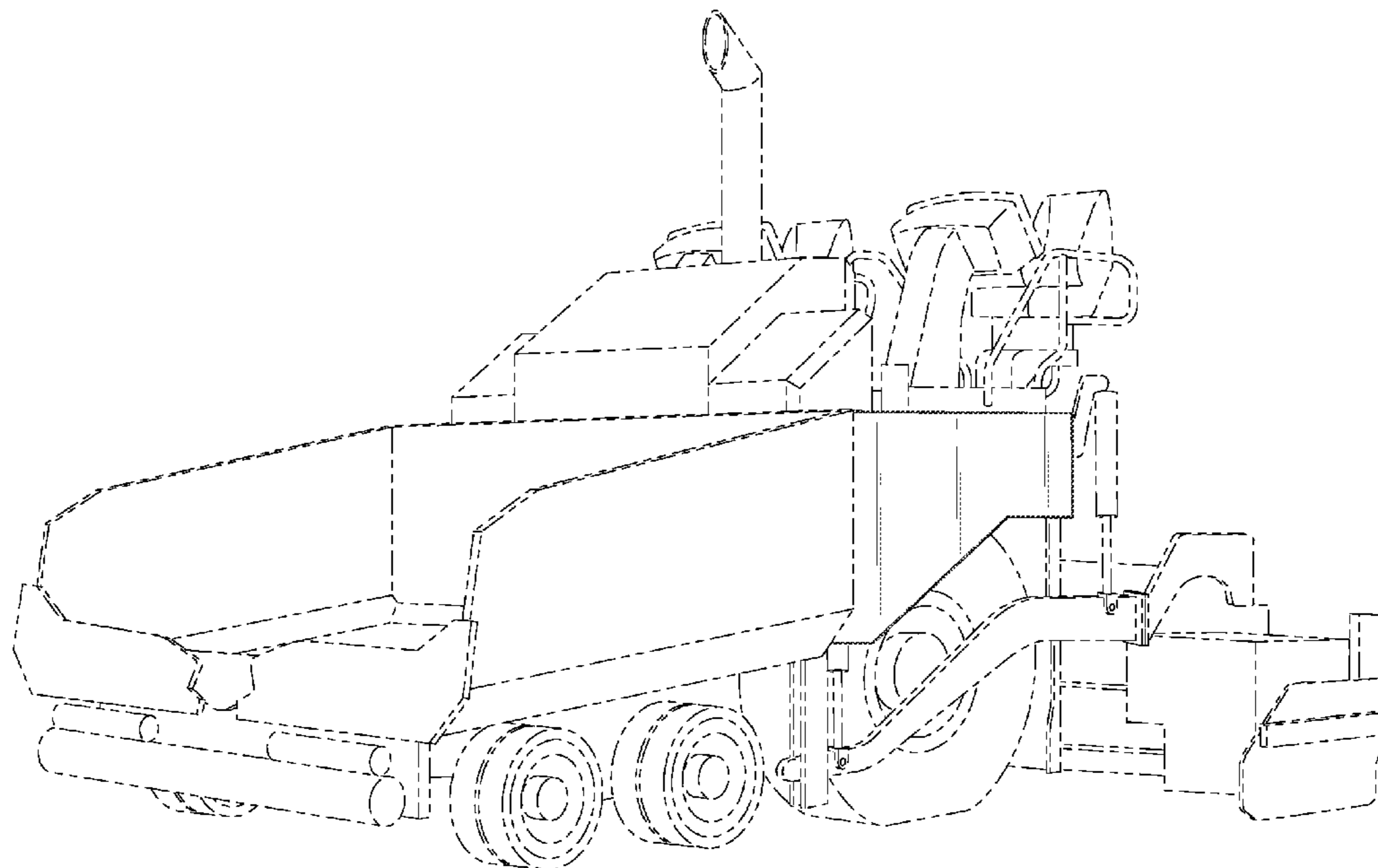
FIG. 3 is a front view thereof.

FIG. 4 is a rear view thereof; and,

FIG. 5 is a top plan view thereof.

The broken line showing of an asphalt paver is included for the purpose of illustrating environmental structure and forms no part of the claimed design.

**1 Claim, 5 Drawing Sheets**



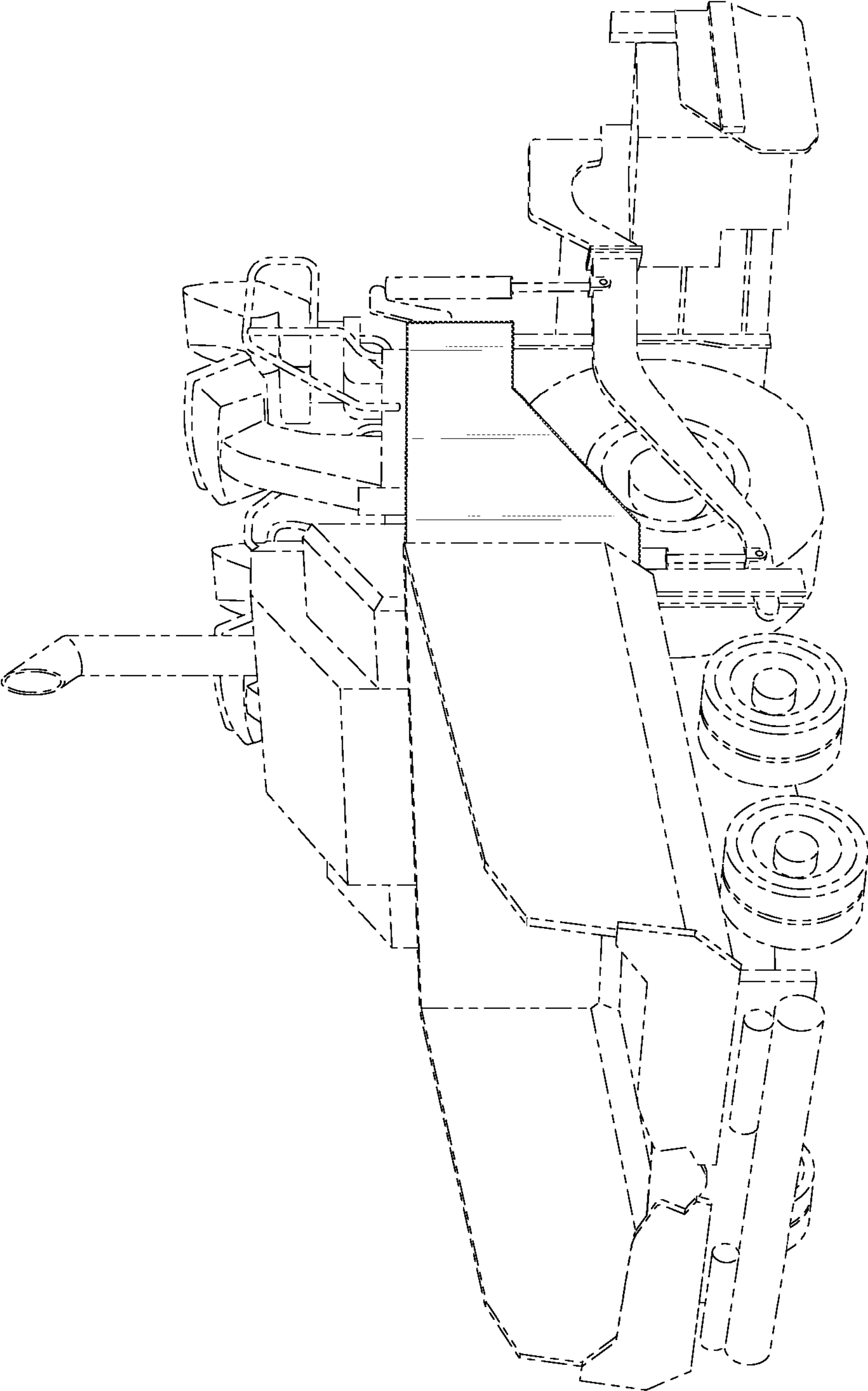


FIG. 1

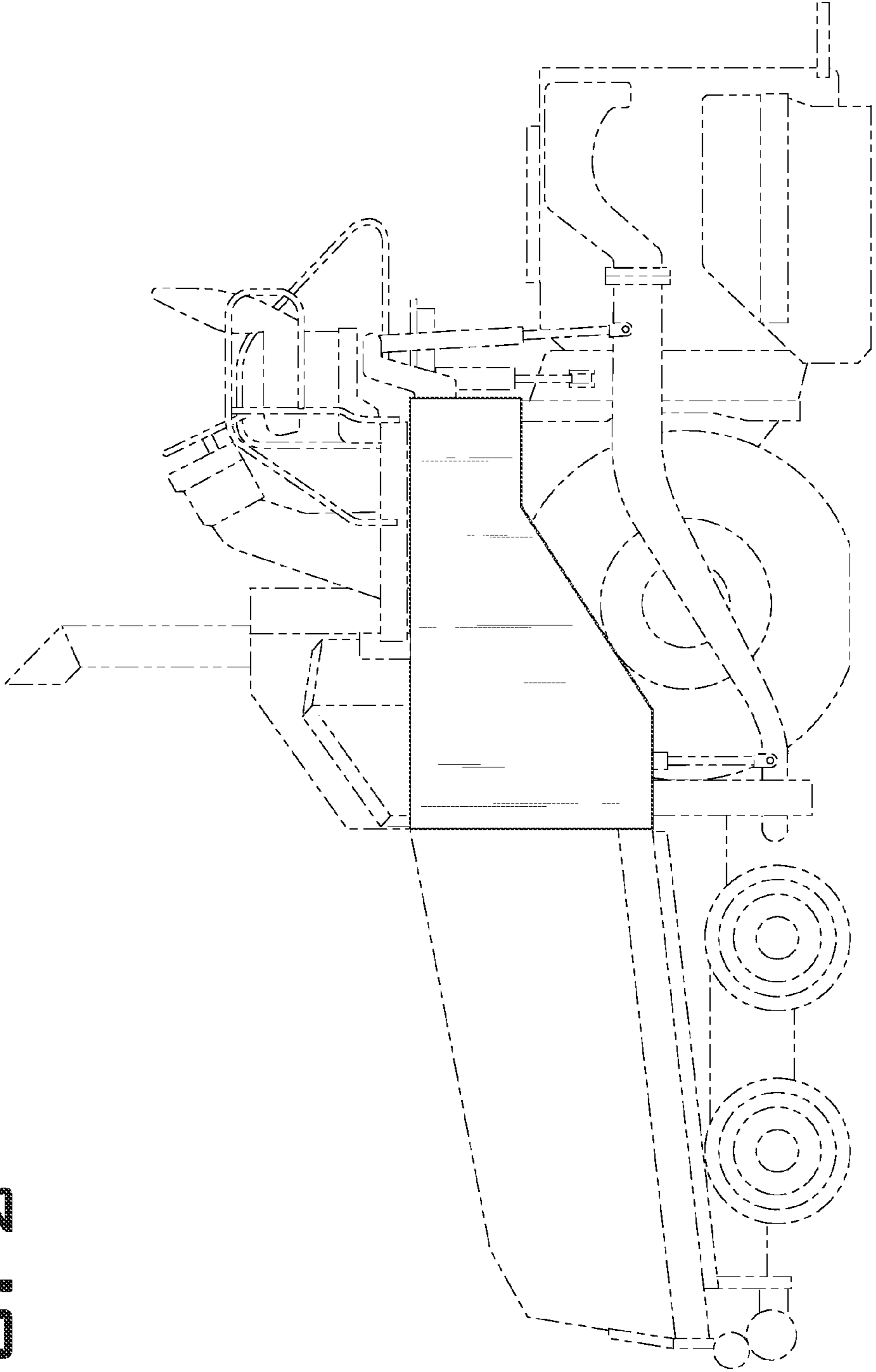


FIG. 2

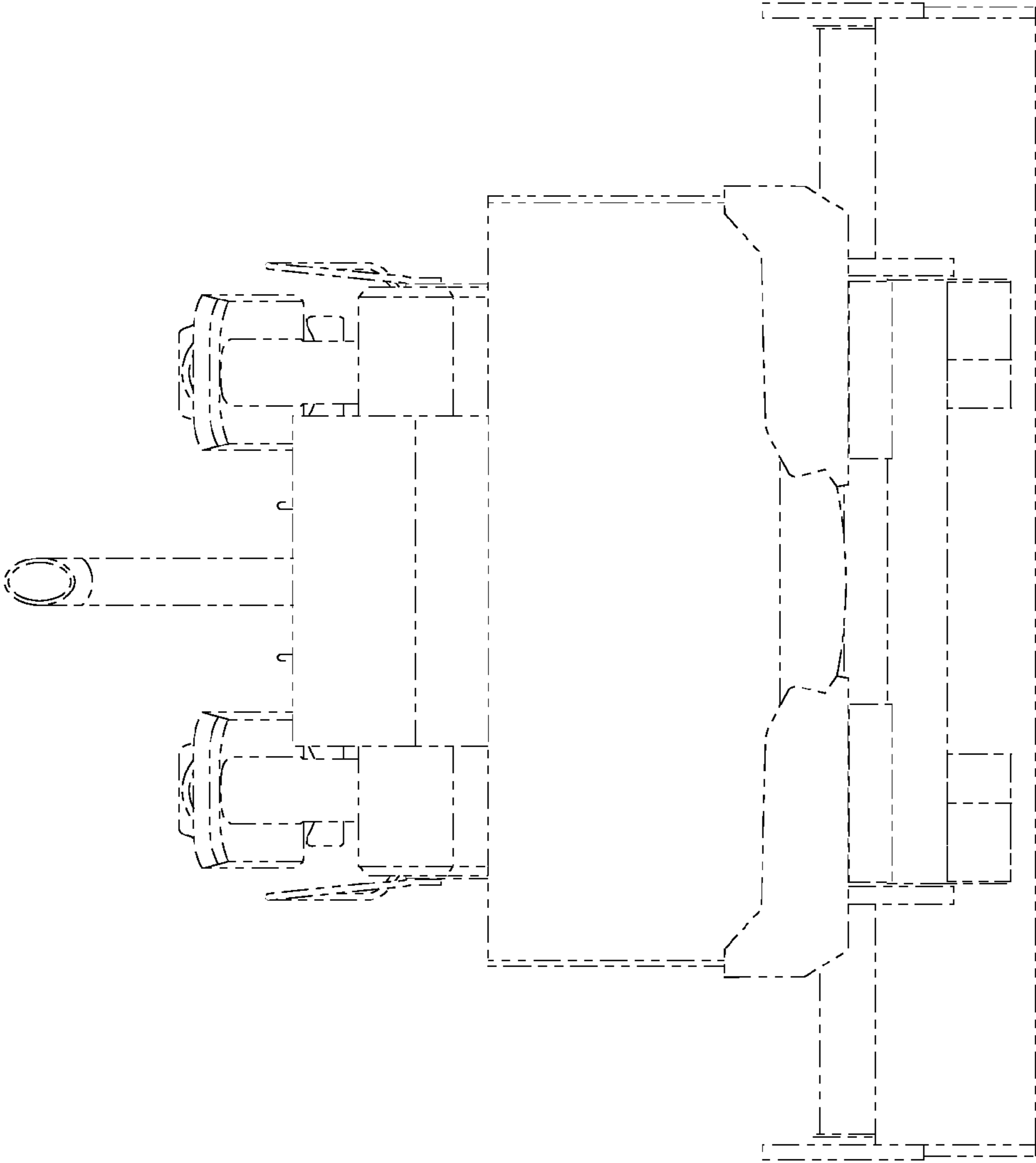


FIG. 3

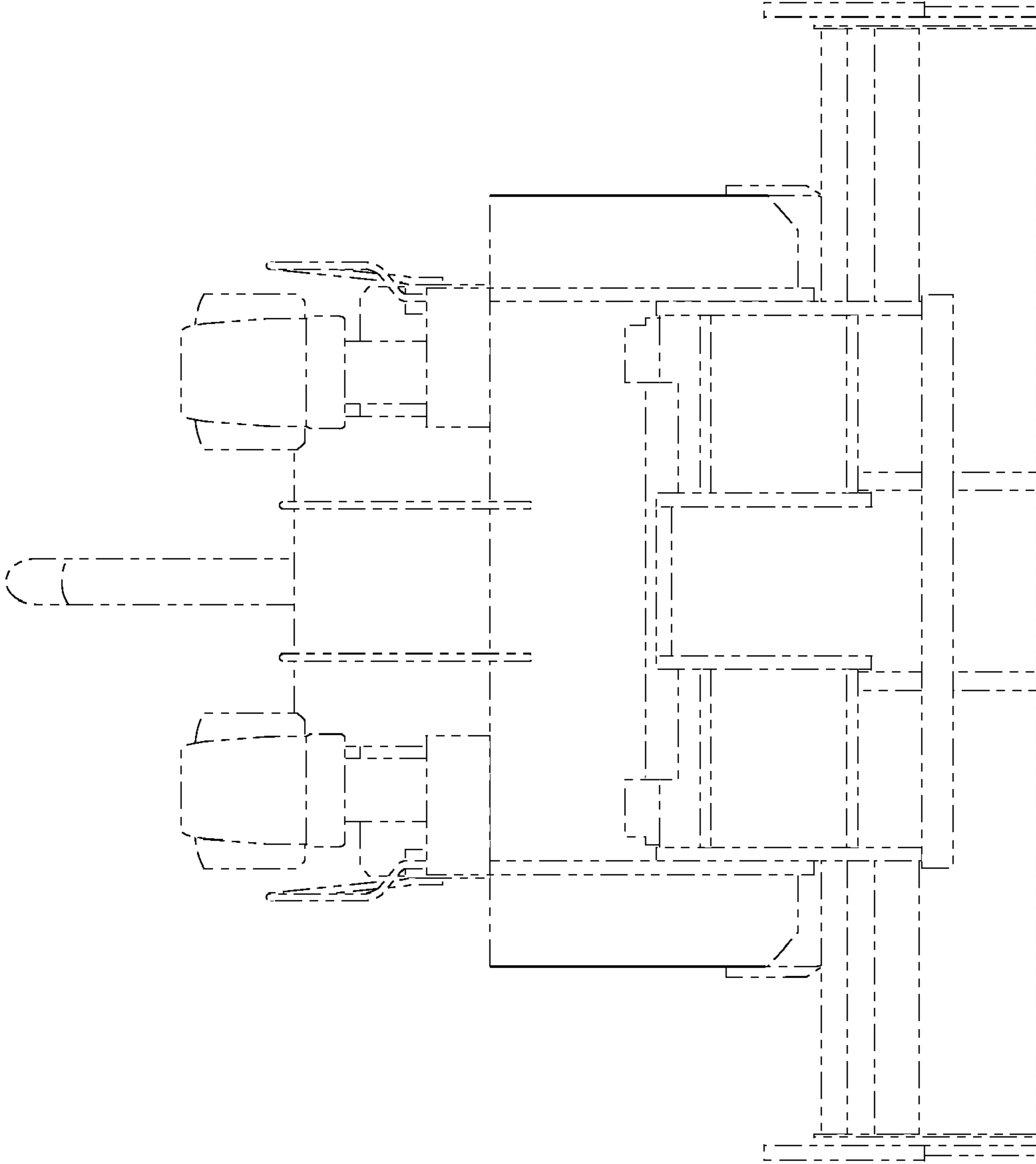


FIG. 4

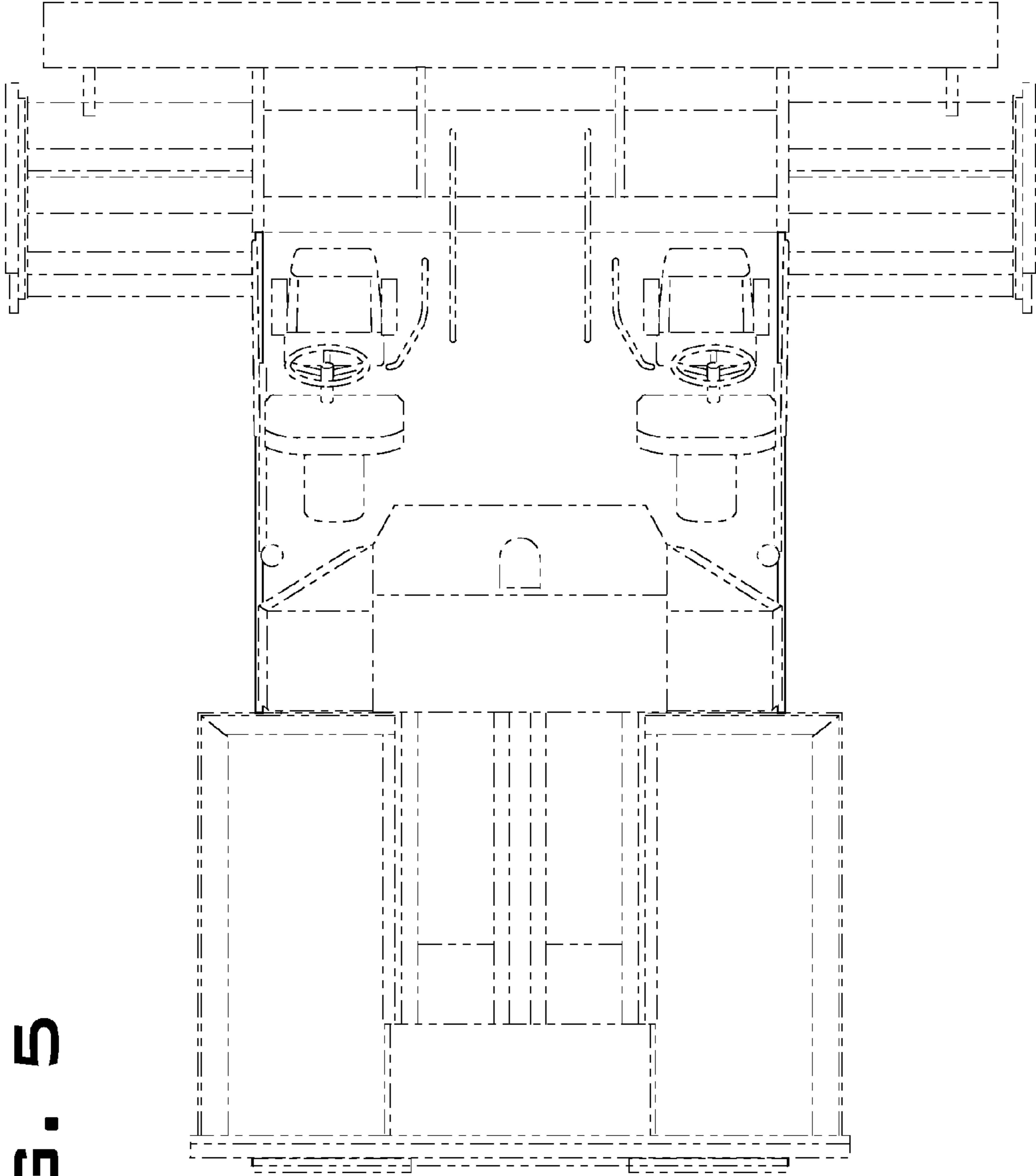


FIG. 5