



US00D643857S

(12) **United States Design Patent**  
**Wu et al.**

(10) **Patent No.:** **US D643,857 S**

(45) **Date of Patent:** **\*\* Aug. 23, 2011**

(54) **PUMP**

(75) Inventors: **Wang Wu**, Baolong Industrial (CN);  
**Baimao Zeng**, Baolong Industrial (CN)

(73) Assignee: **Shenzhen Xingrisheng Industrial Co., Ltd.**, Shenzhen (CN)

(\*\*) Term: **14 Years**

(21) Appl. No.: **29/391,062**

(22) Filed: **May 3, 2011**

(30) **Foreign Application Priority Data**

Nov. 17, 2010 (CN) ..... 2010 3 0617433

(51) **LOC (9) Cl.** ..... **15-02**

(52) **U.S. Cl.** ..... **D15/7**

(58) **Field of Classification Search** ..... D15/7-9;  
D23/231, 232, 225; 417/60, 235, 265, 321,  
417/355, 358, 363, 359, 410.1, 415-416,  
417/405, 900; 60/408, 412; 184/26-37;  
415/140-147; 123/495, 509

See application file for complete search history.

(56) **References Cited**

U.S. PATENT DOCUMENTS

D441,376 S *	5/2001	Gohil et al. ....	D15/7
D499,745 S *	12/2004	Hsiao .....	D15/9
D514,127 S *	1/2006	Christianson .....	D15/9
D558,234 S *	12/2007	Dickertmann .....	D15/7
D558,235 S *	12/2007	Dickertmann .....	D15/7
D588,165 S *	3/2009	Steinfels et al. ....	D15/9
D595,741 S *	7/2009	Dickertmann .....	D15/7

\* cited by examiner

*Primary Examiner* — Ralf Seifert

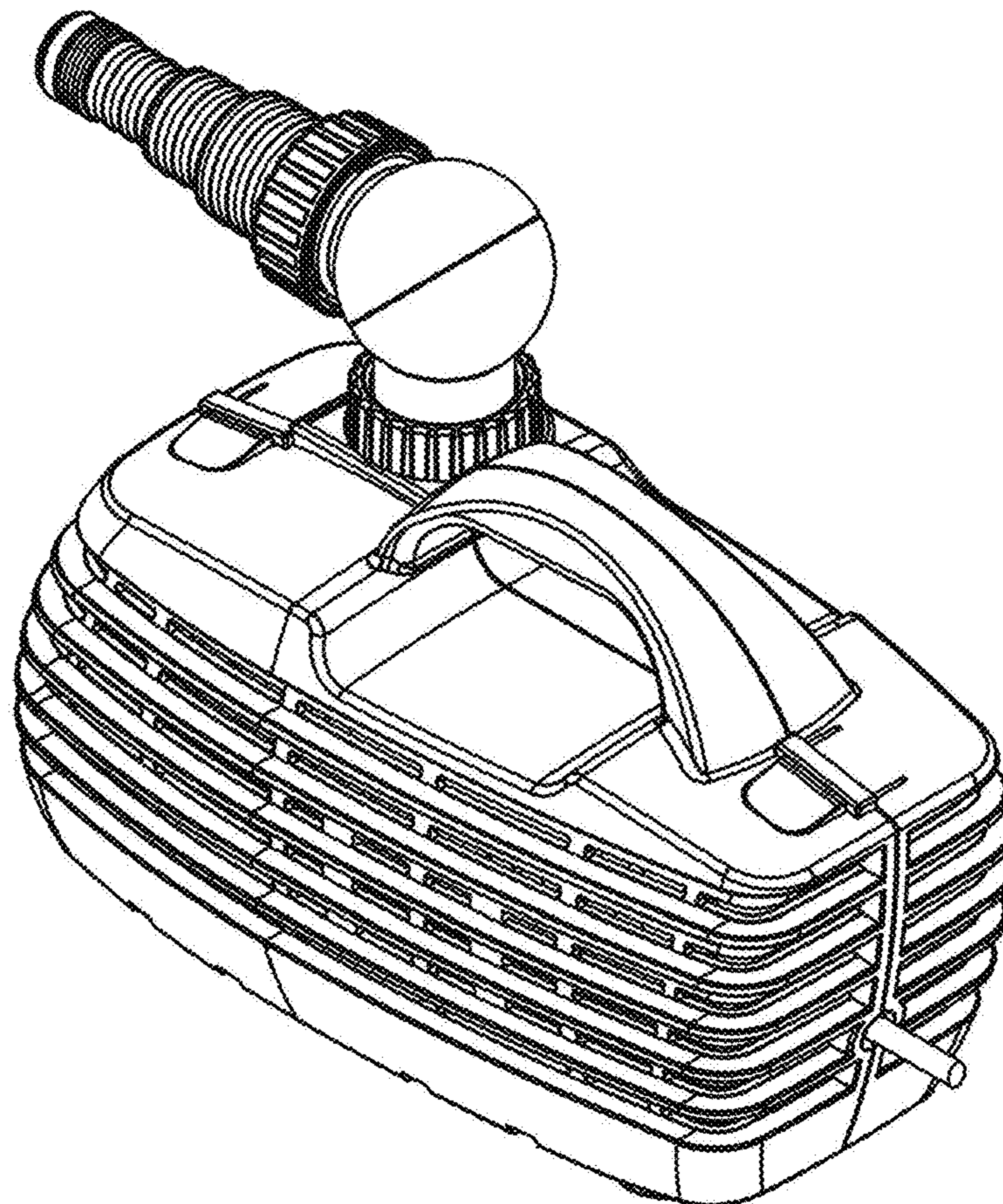
(57) **CLAIM**

The ornamental design for pump described in appearance and pattern, as shown and described.

**DESCRIPTION**

FIG. 1 is a perspective view of a pump showing my new design;  
FIG. 2 is another perspective view;  
FIG. 3 is a front elevation view thereof;  
FIG. 4 is a rear elevation view thereof;  
FIG. 5 is a left side elevation view thereof;  
FIG. 6 is a right side elevation view thereof;  
FIG. 7 is a top plan view thereof; and,  
FIG. 8 is bottom plan view thereof.

**1 Claim, 4 Drawing Sheets**



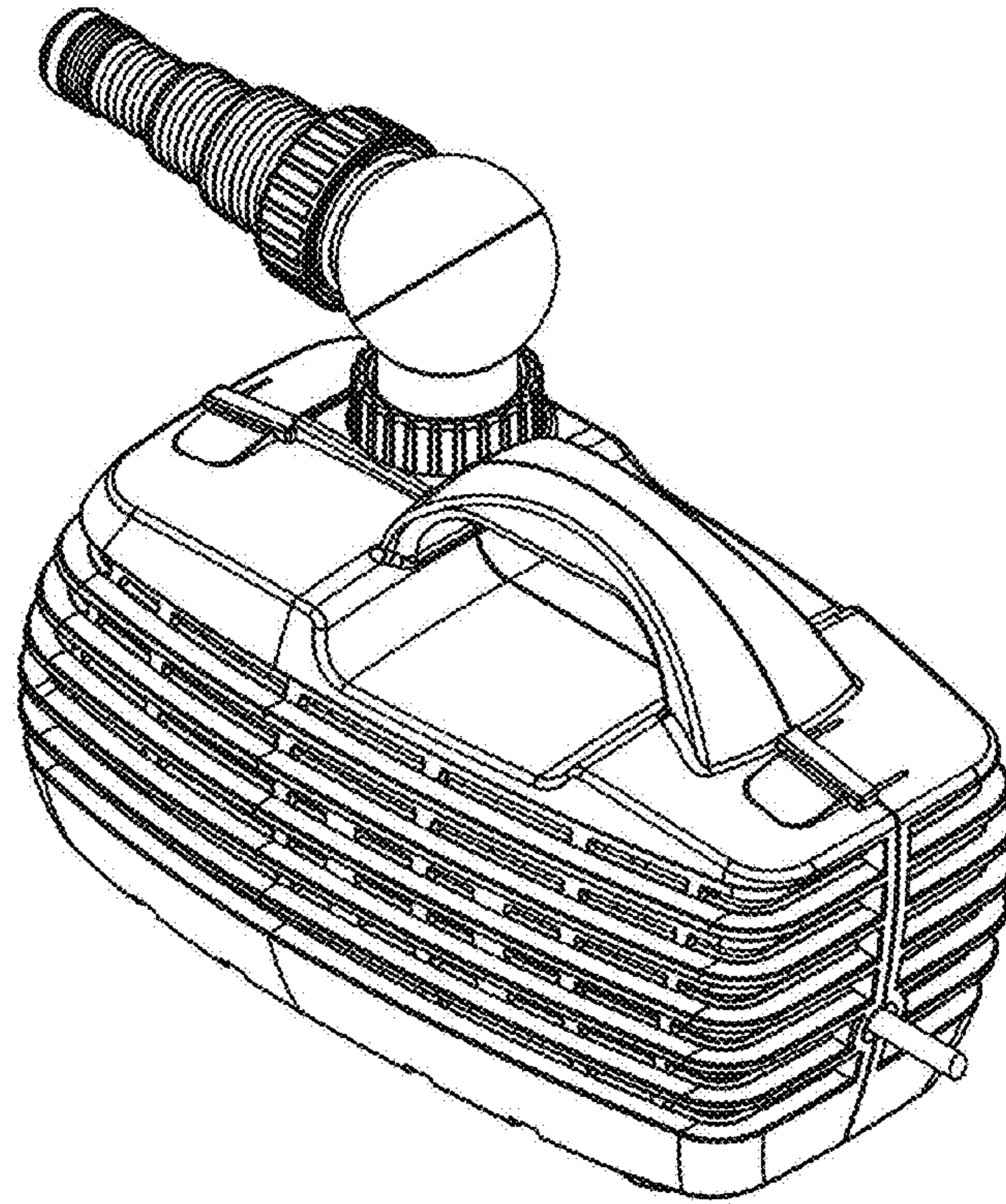


Fig. 1

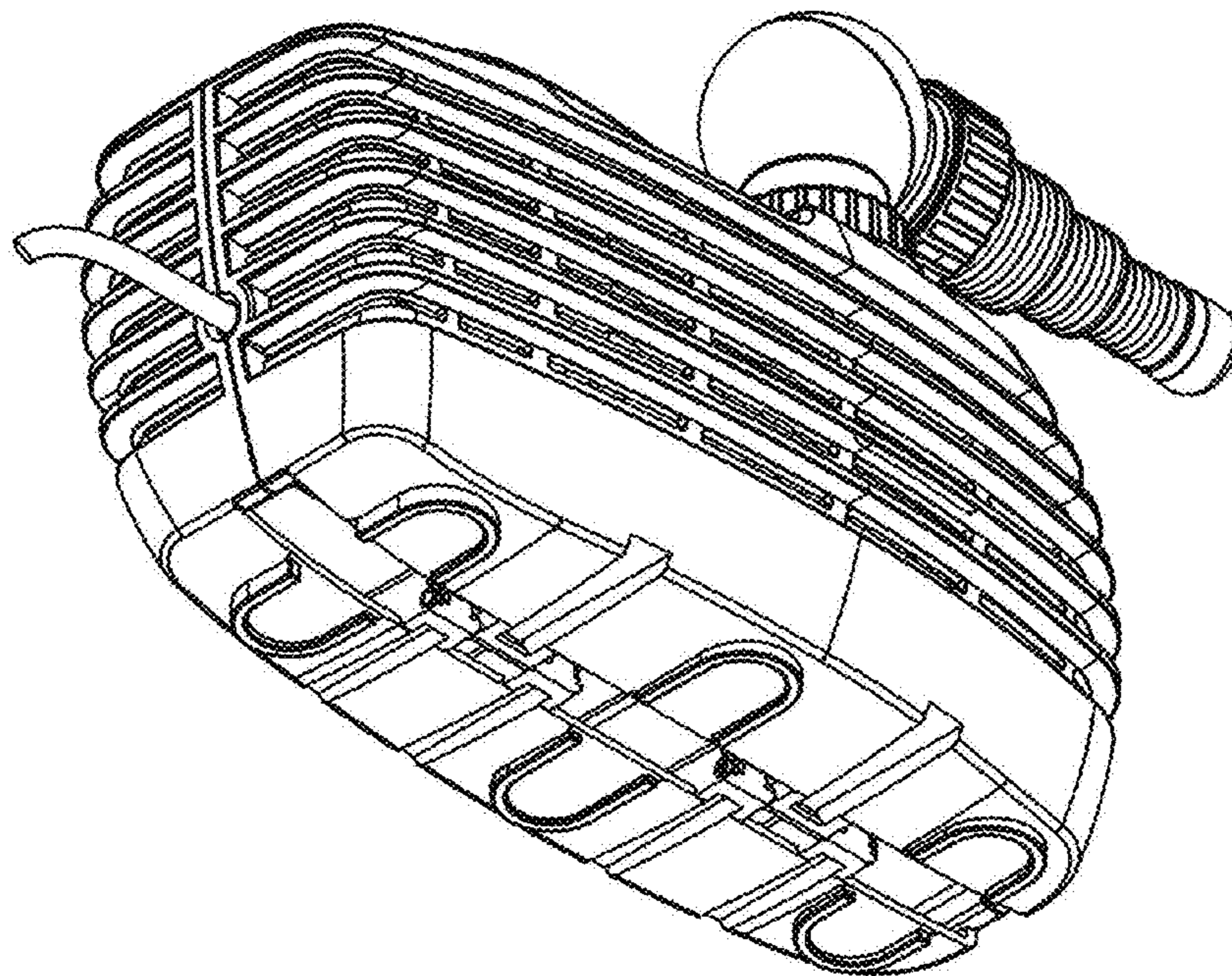


Fig. 2

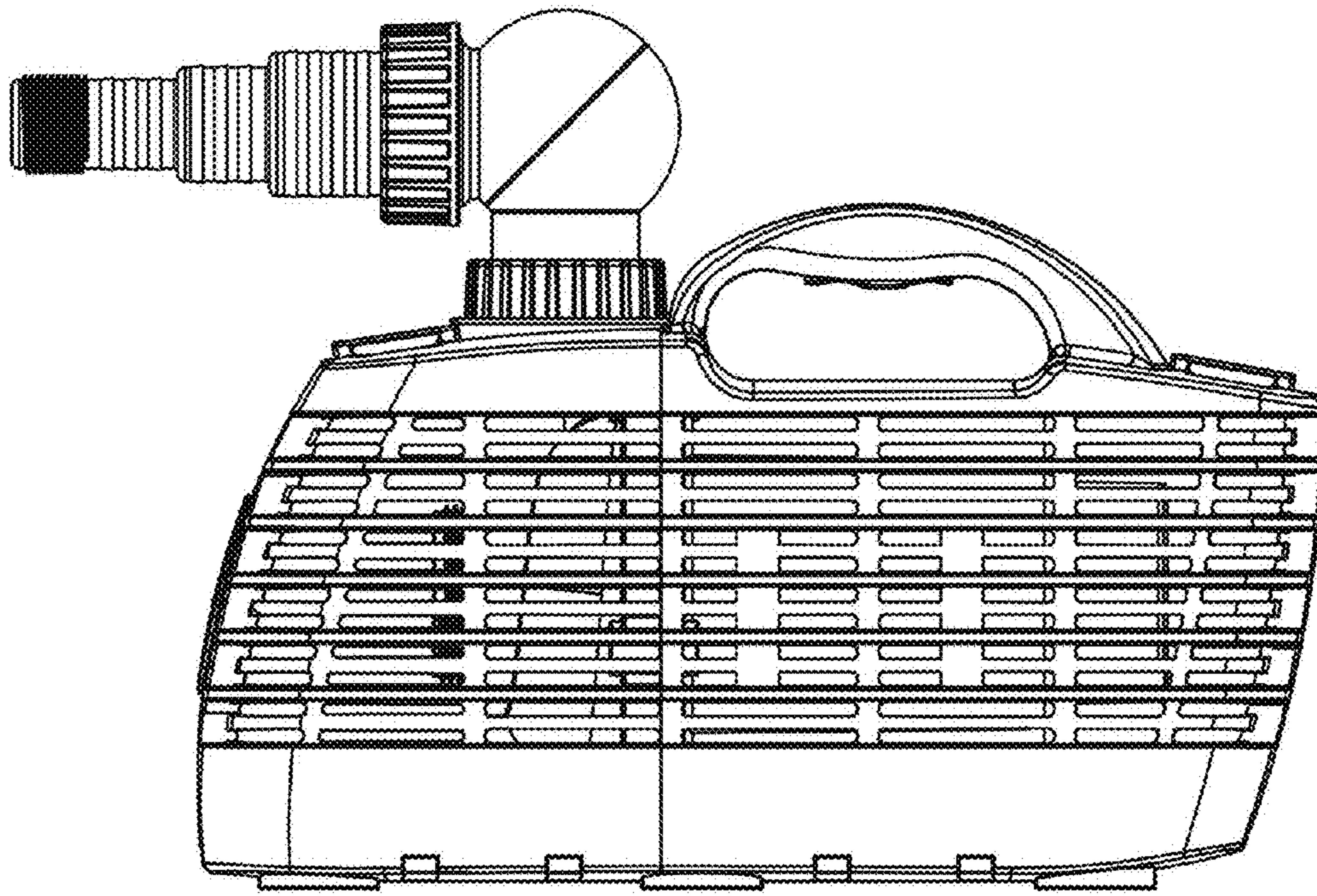


Fig. 3

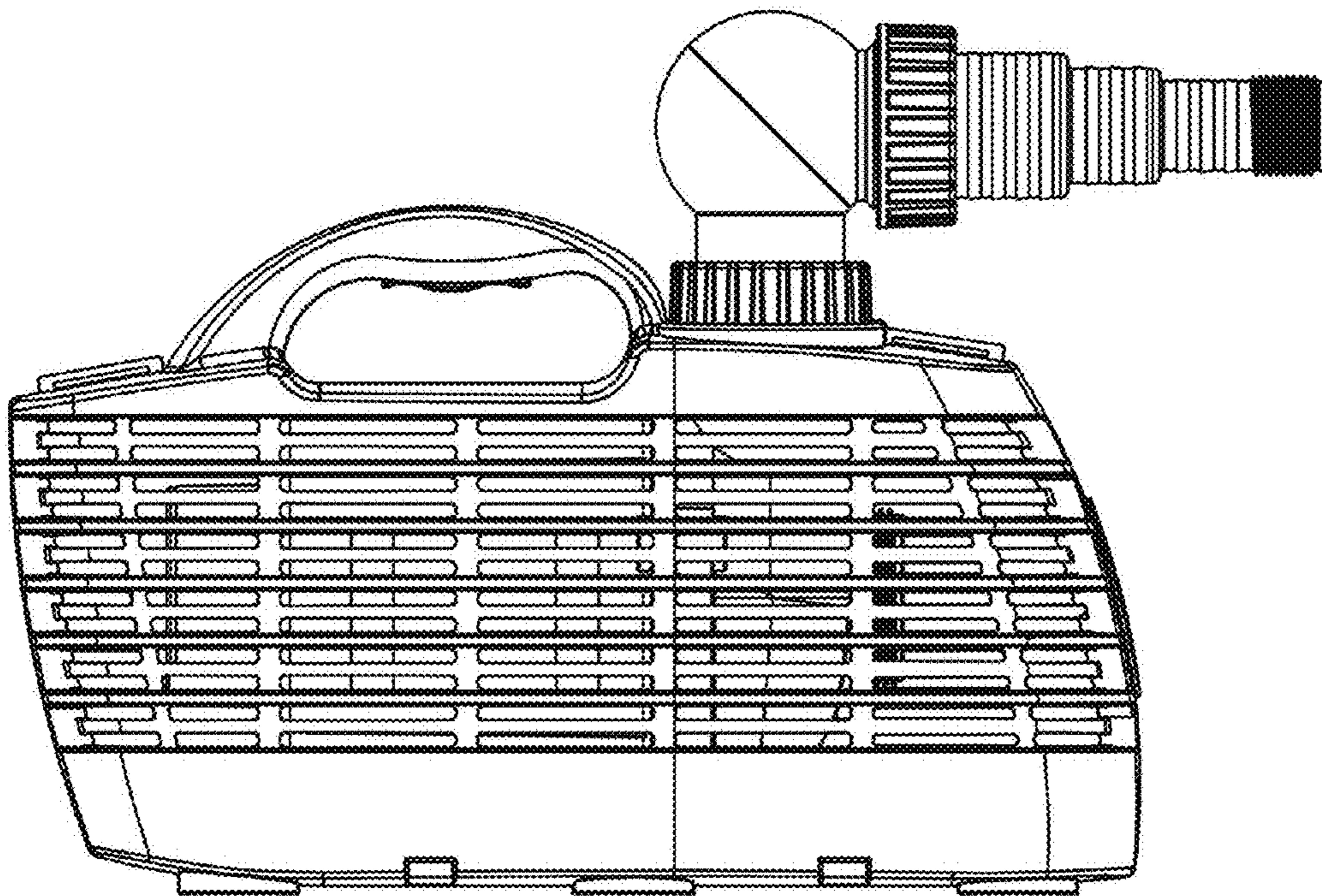


Fig. 4

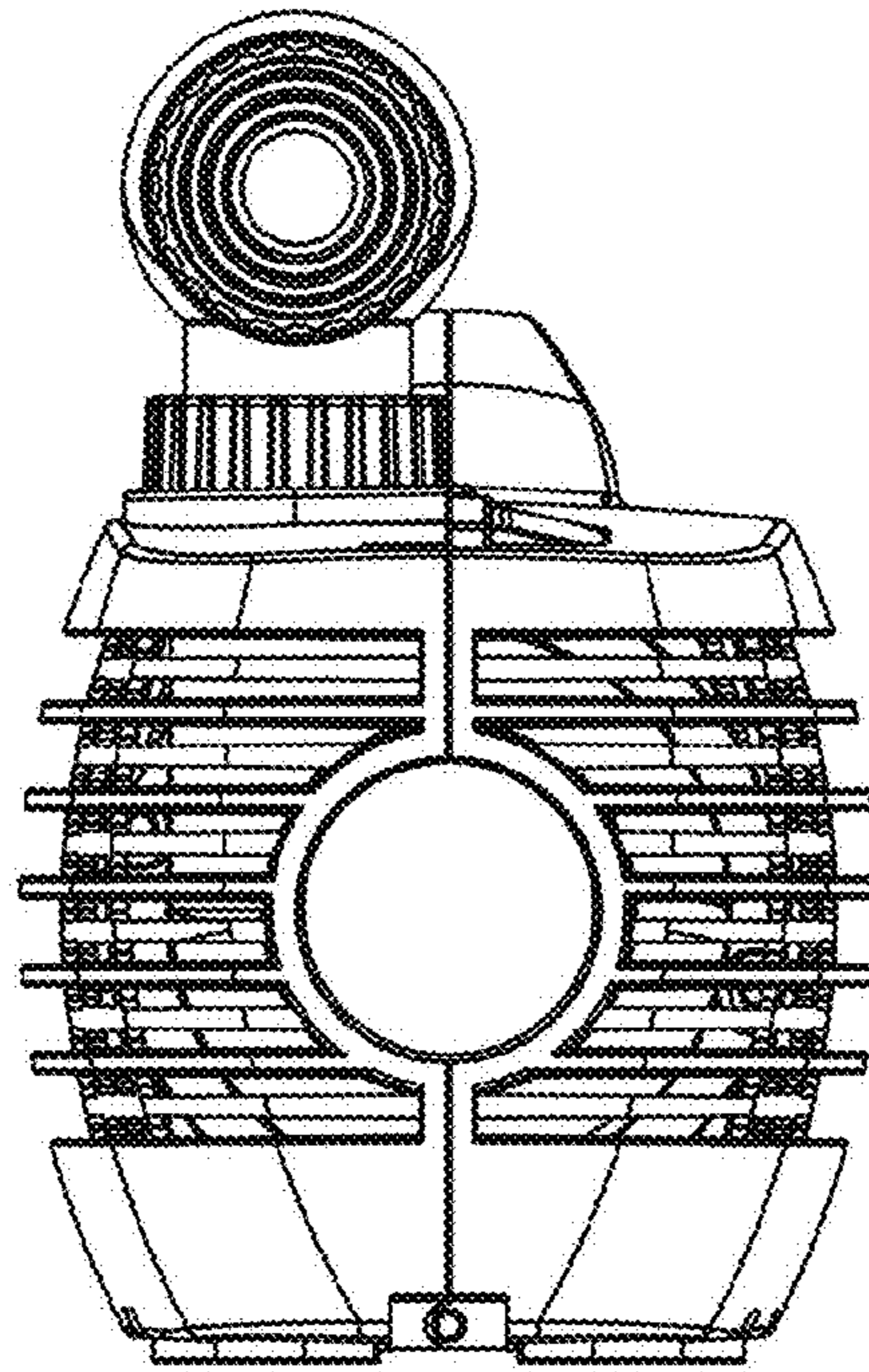


Fig. 5

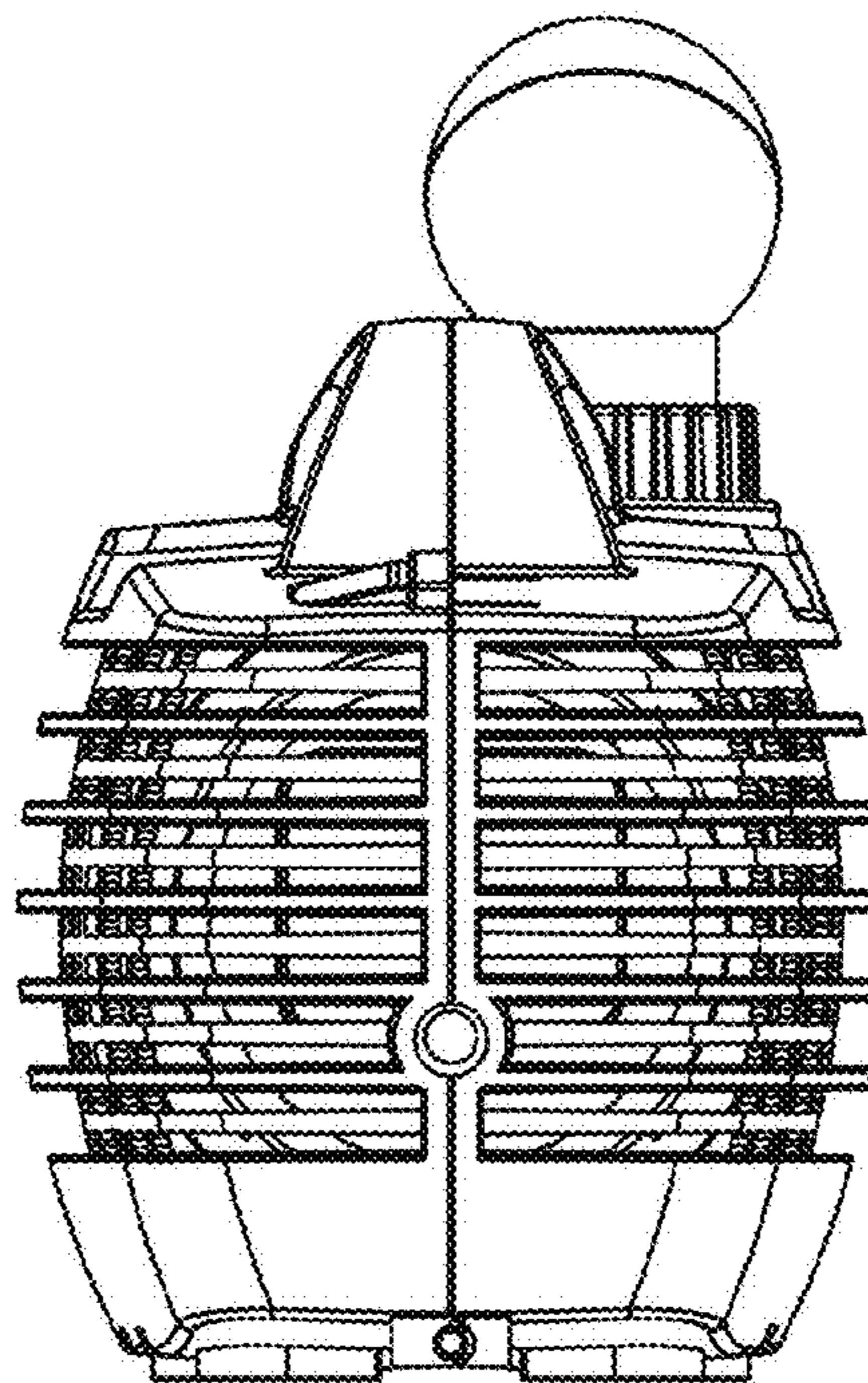


Fig. 6

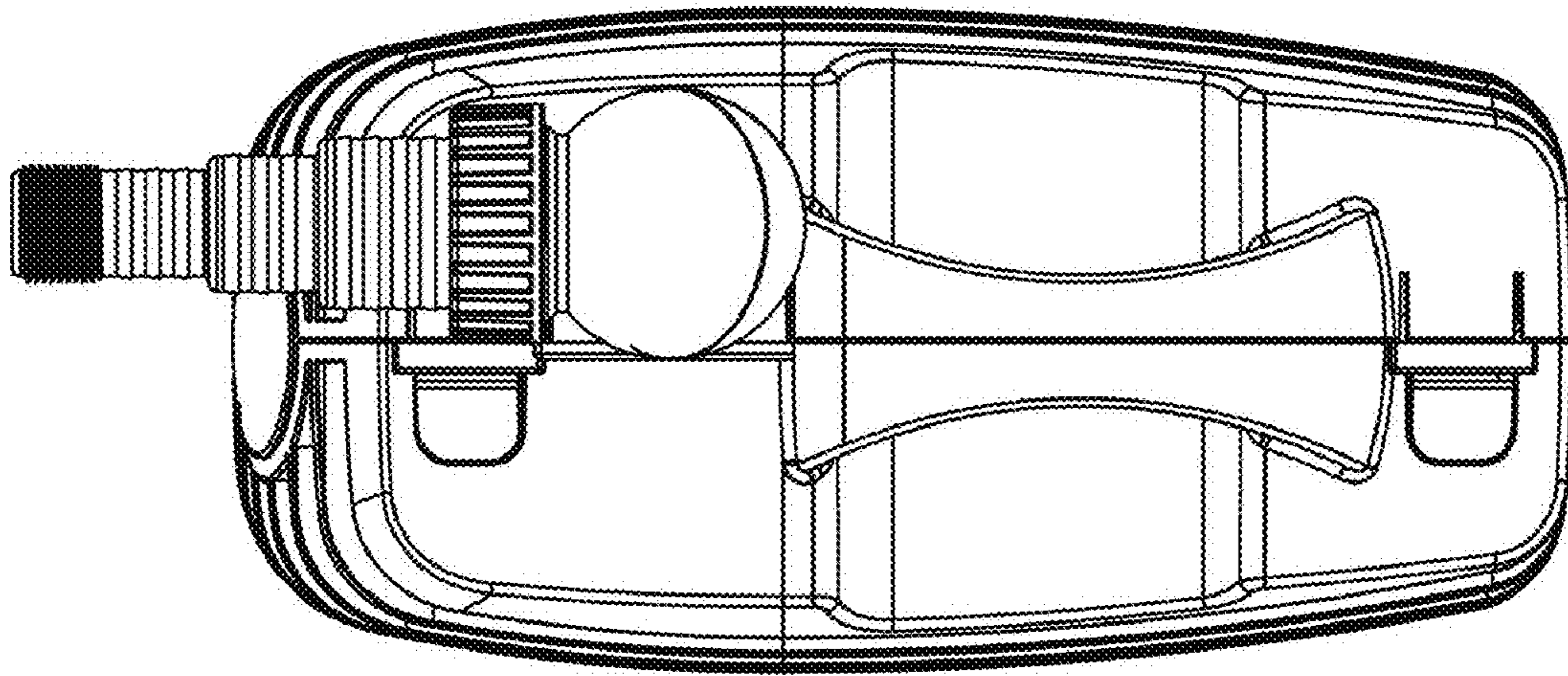


Fig. 7

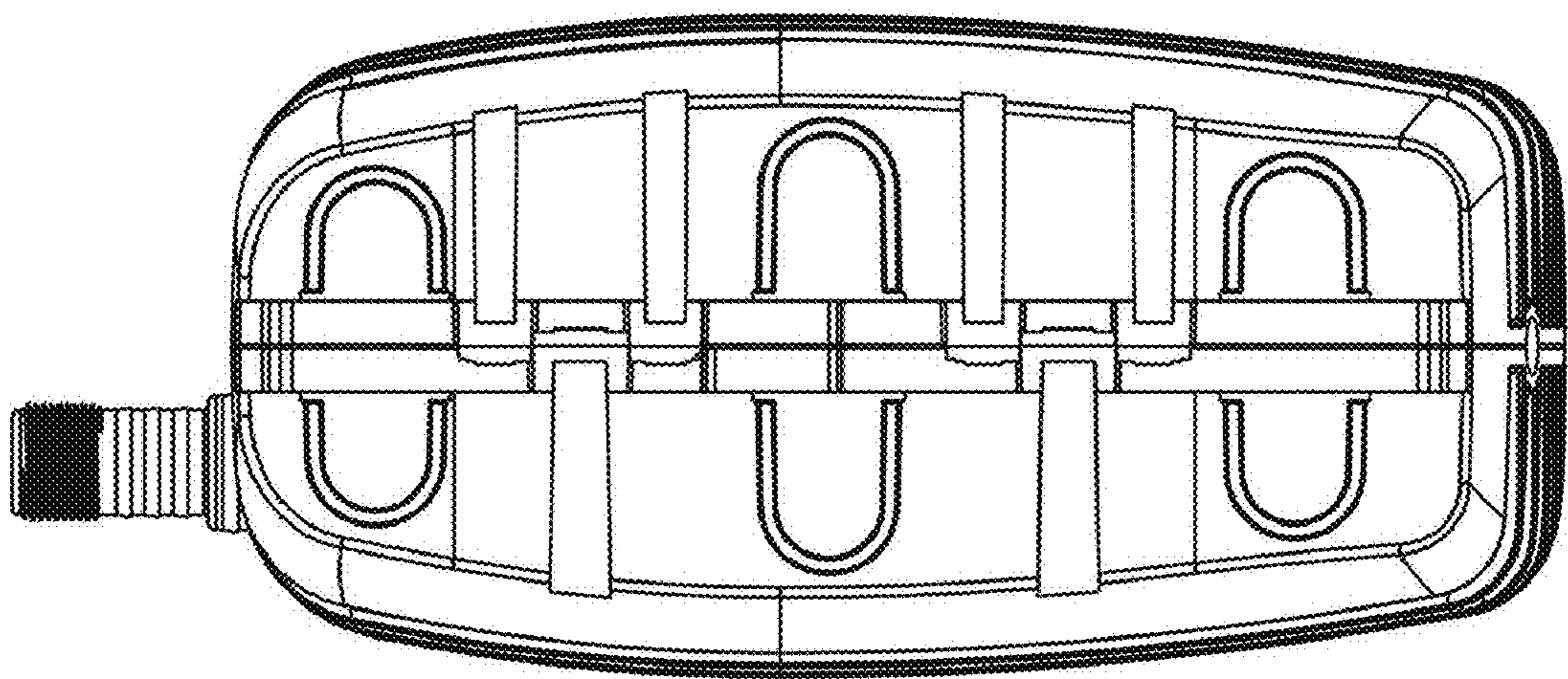


Fig. 8