



US00D643855S

(12) **United States Design Patent**
Taniguchi et al.

(10) **Patent No.:** **US D643,855 S**

(45) **Date of Patent:** **** Aug. 23, 2011**

(54) **AIR CYLINDER**

(75) Inventors: **Masaru Taniguchi**, Tsukubamirai (JP);
Jun Yamada, Tsukubamirai (JP)

(73) Assignee: **SMC Corporation**, Chiyoda-ku, Tokyo
(JP)

(**) Term: **14 Years**

(21) Appl. No.: **29/354,518**

(22) Filed: **Jan. 25, 2010**

(30) **Foreign Application Priority Data**

Sep. 10, 2009 (JP) 2009-020942

(51) **LOC (9) Cl.** **15-02**

(52) **U.S. Cl.** **D15/7**

(58) **Field of Classification Search** D15/7-9;
D23/231, 232; 417/410.1, 359, 415-416,
417/234, 321, 265, 405

See application file for complete search history.

(56) **References Cited**

U.S. PATENT DOCUMENTS

D408,420 S *	4/1999	Buter	D15/7
D540,349 S *	4/2007	Waki	D15/9
D557,286 S *	12/2007	Pedrollo	D15/7
D610,166 S *	2/2010	Foreman	D15/7

* cited by examiner

Primary Examiner — Ralf Seifert

(74) *Attorney, Agent, or Firm* — Yokoi & Co., U.S.A., Inc.;
Toshiyuki Yokoi

(57) **CLAIM**

The ornamental design for an air cylinder, as shown and described.

DESCRIPTION

FIG. 1 shows a front view of an air cylinder showing my new design;

FIG. 2 shows a rear view thereof;

FIG. 3 shows a right side view thereof;

FIG. 4 shows a left side view thereof;

FIG. 5 shows a top view thereof;

FIG. 6 shows a bottom view thereof;

FIG. 7 shows a bottom, front and left side perspective view thereof; and,

FIG. 8 shows a top, rear and right side perspective view thereof.

The broken lines in FIG. 5 are included for the purpose of illustrating portions of the air cylinder that form no part of the claimed design.

1 Claim, 4 Drawing Sheets

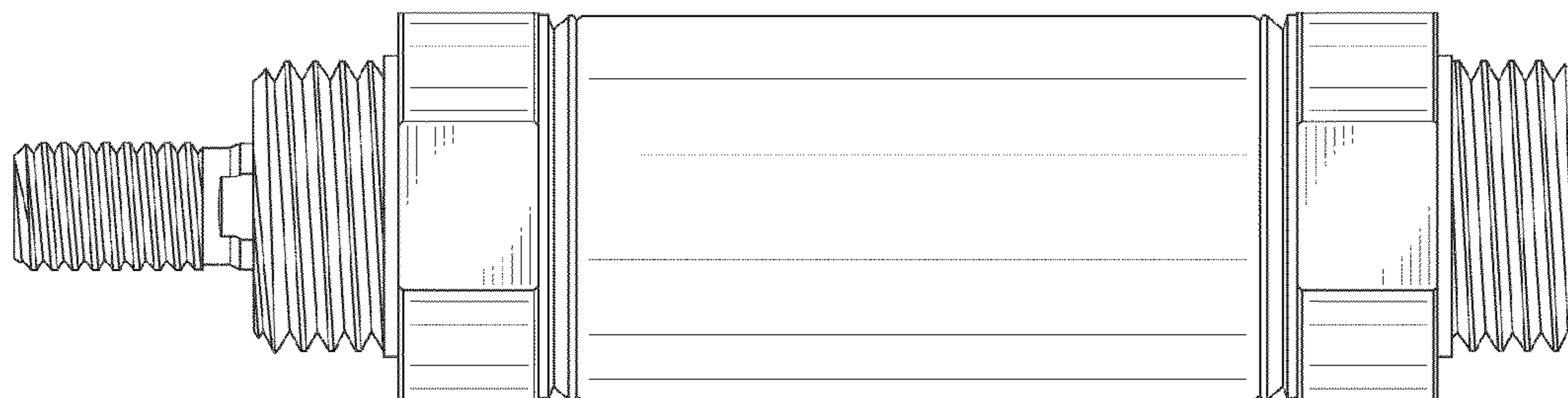


FIG. 1

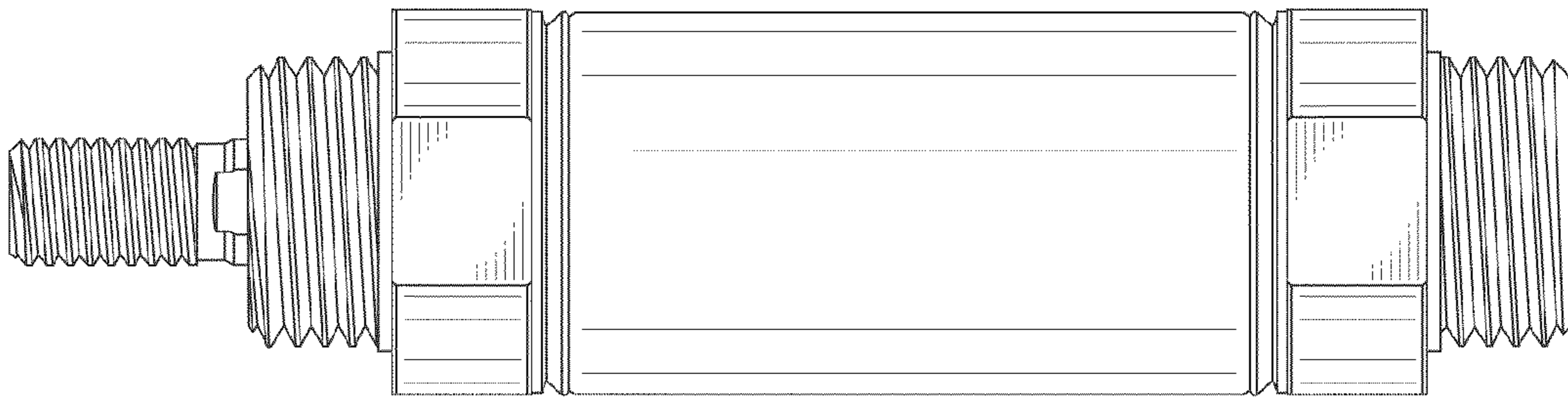


FIG. 2

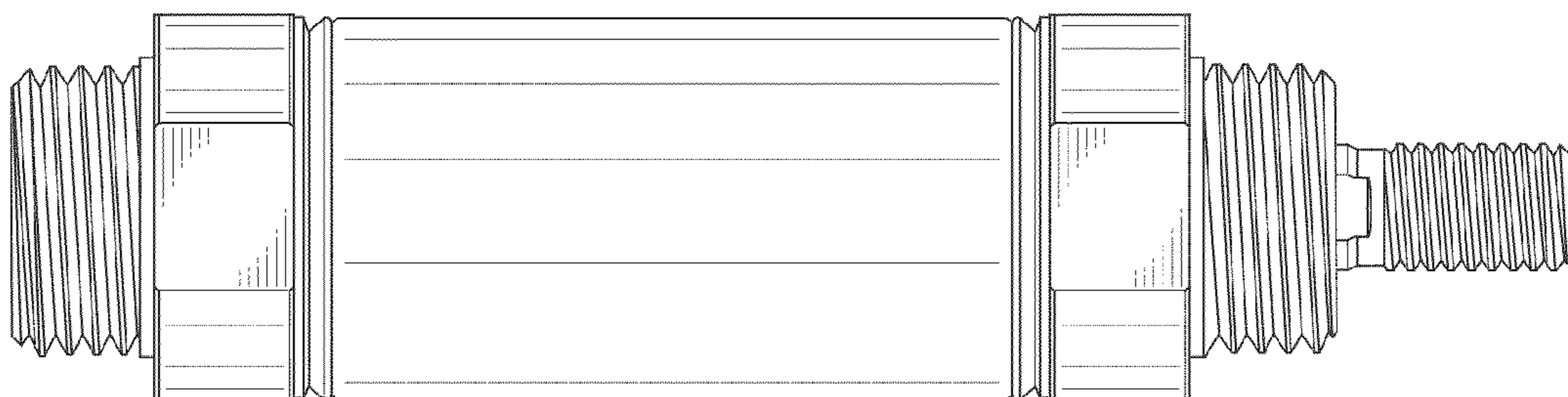


FIG. 3

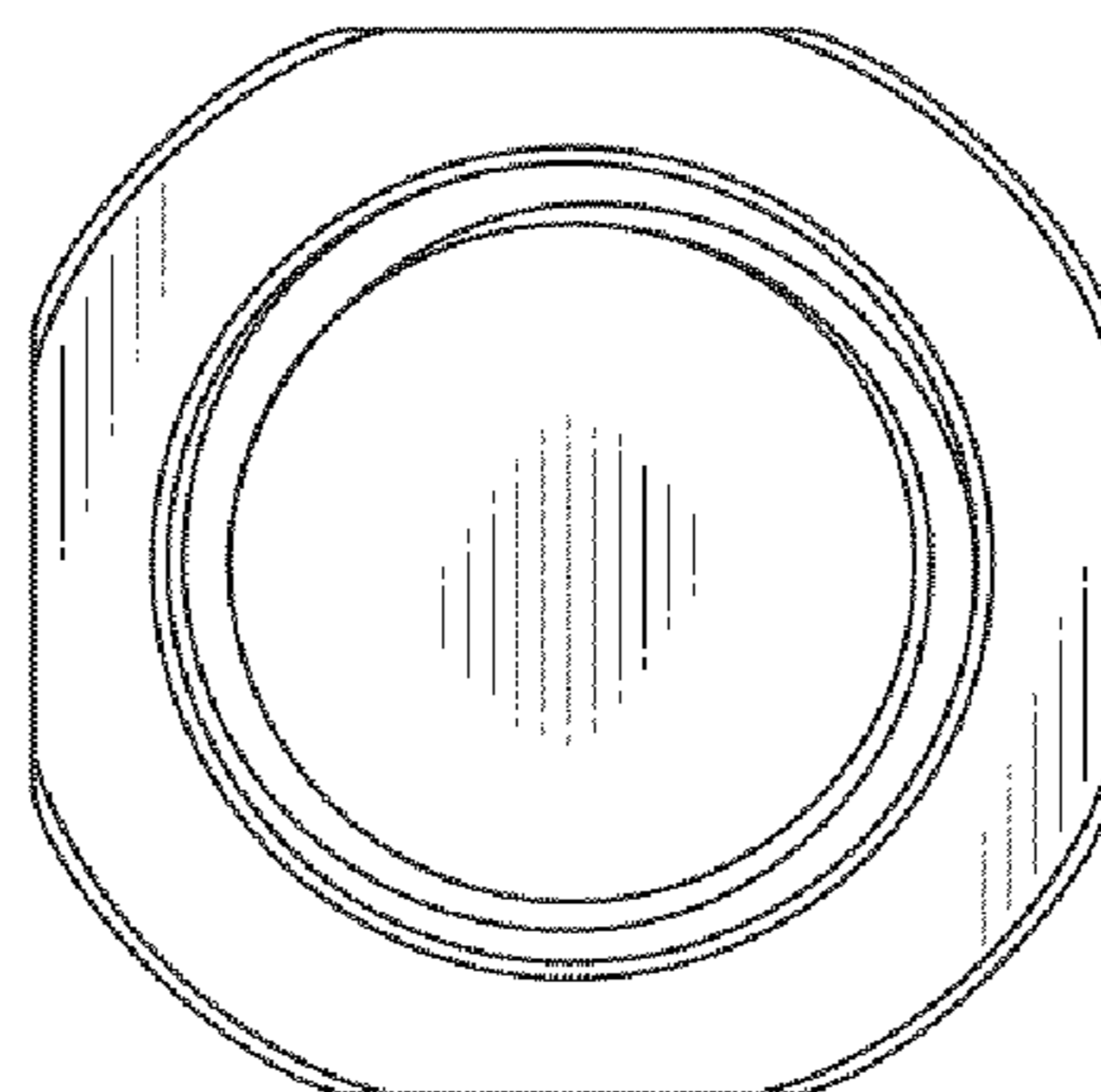


FIG. 4

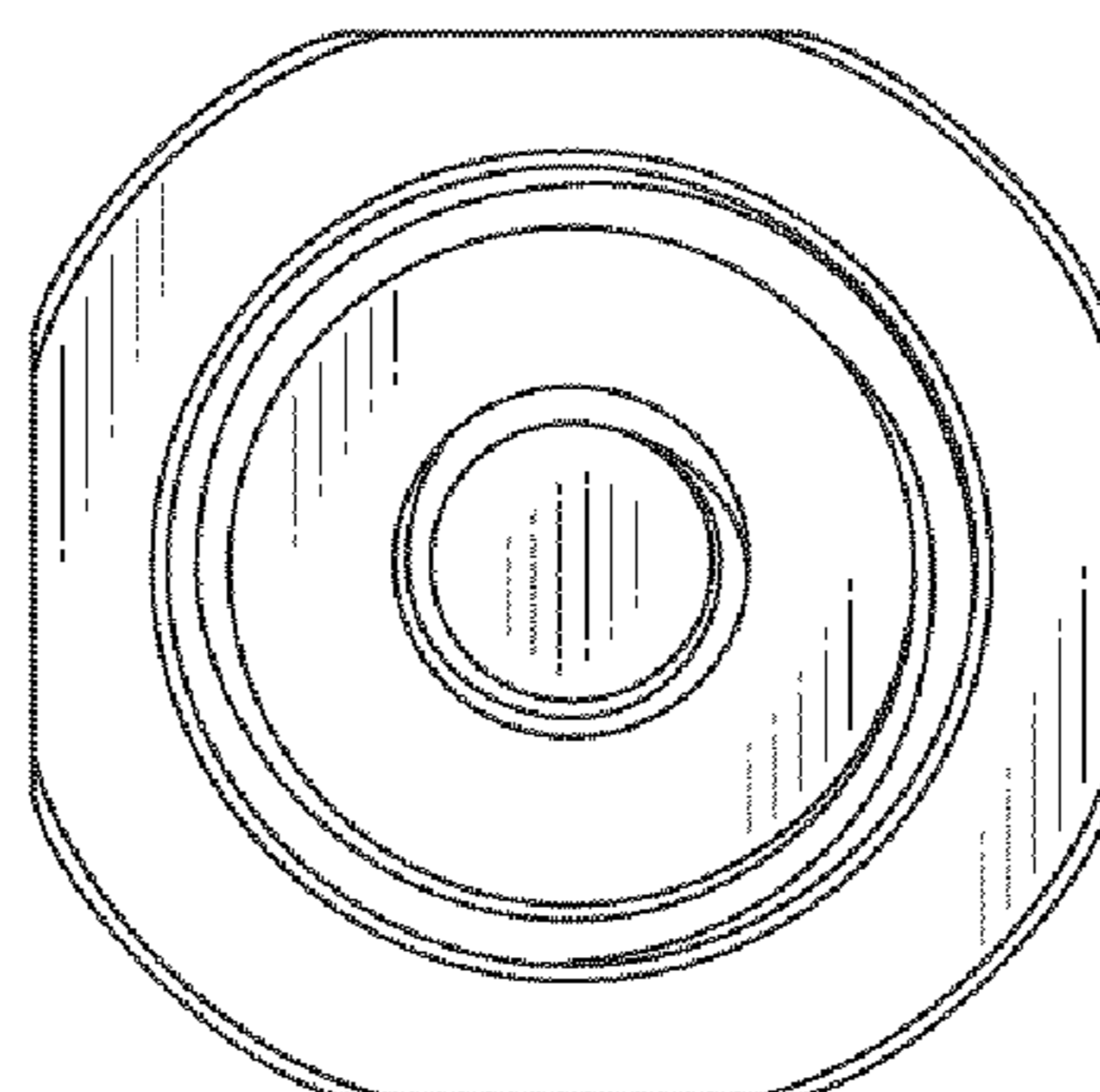


FIG. 5

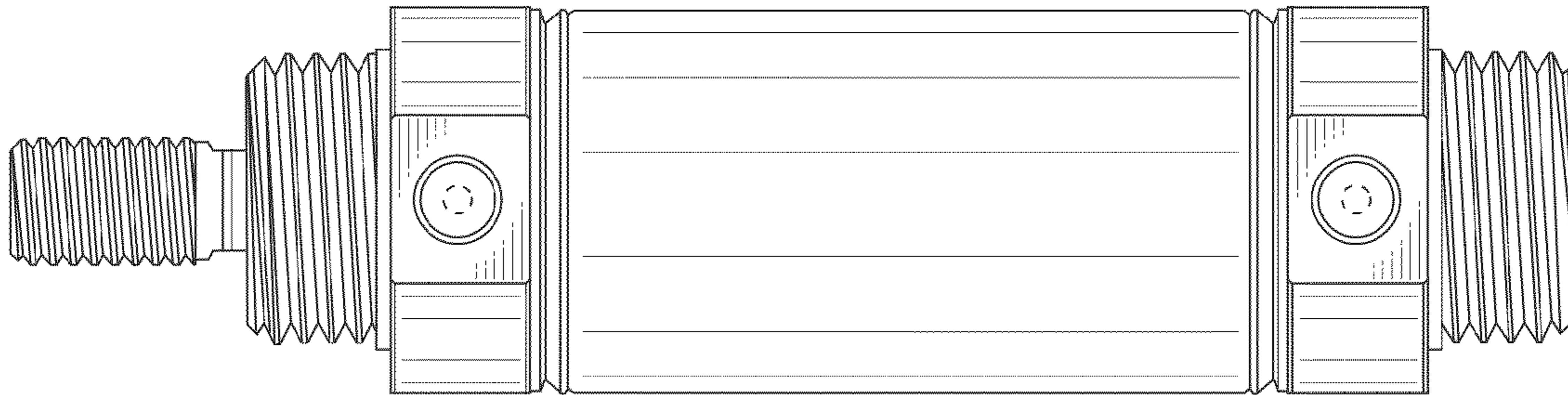


FIG. 6

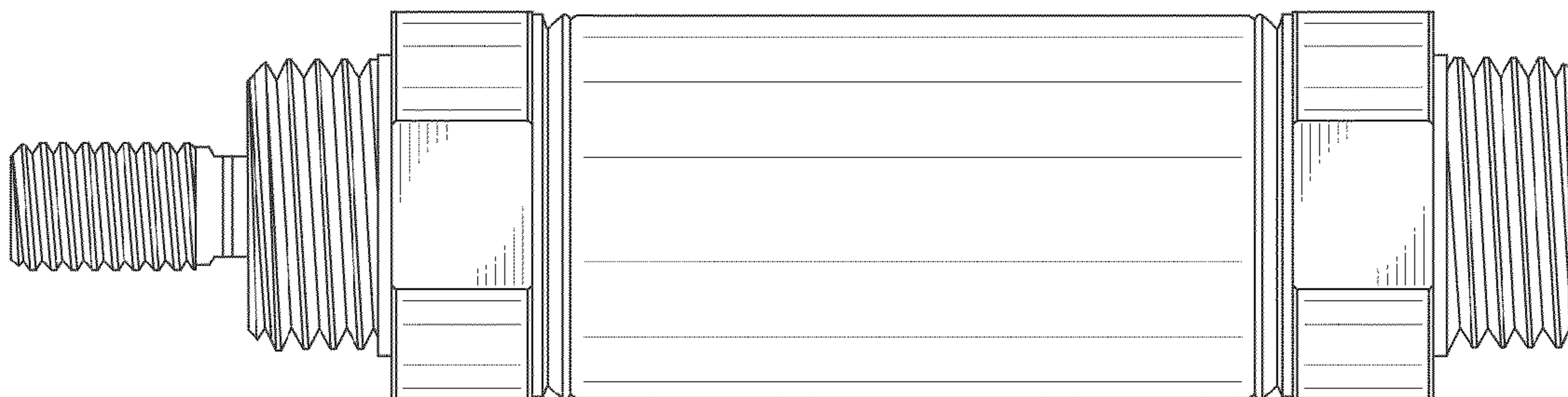


FIG. 7

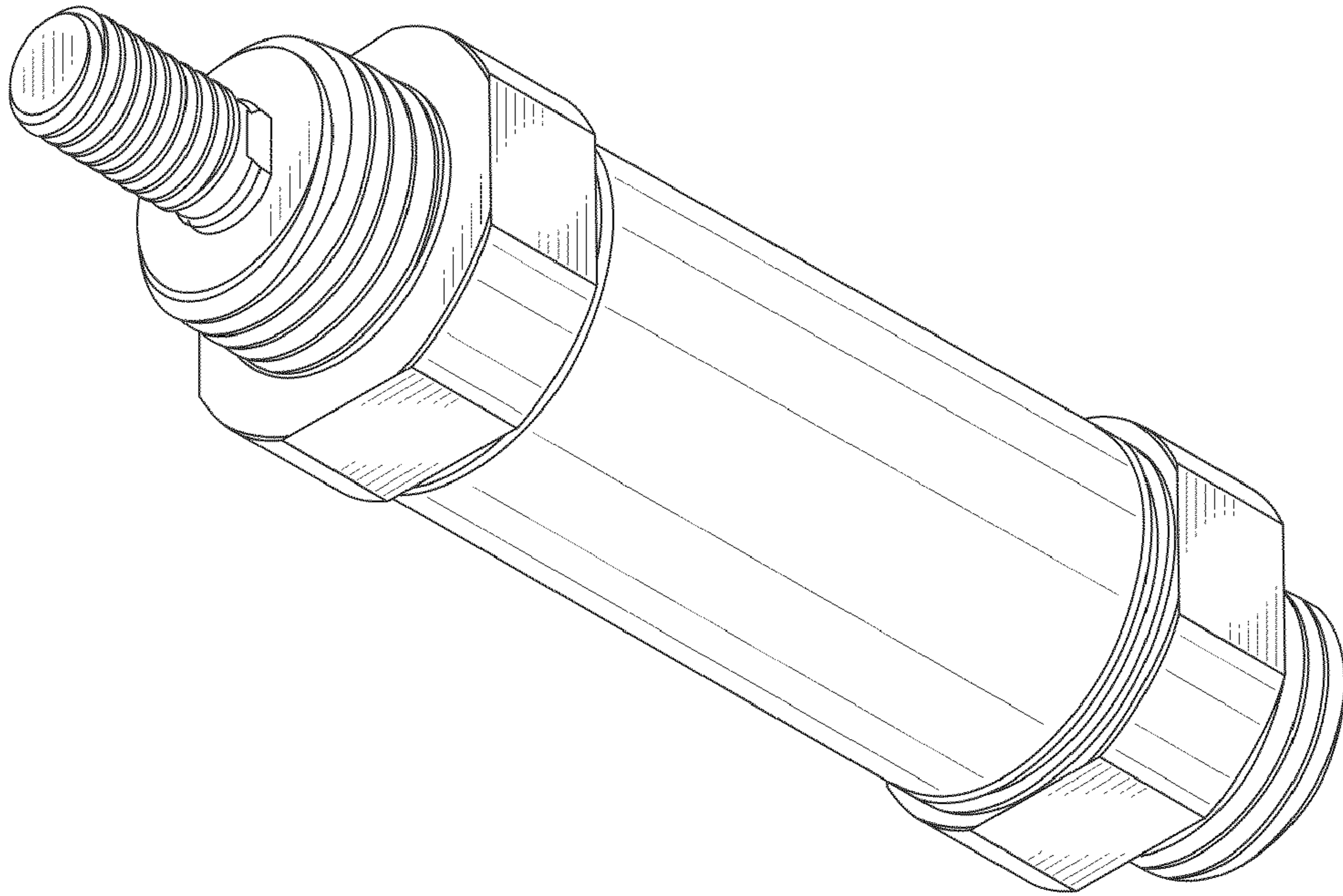


FIG. 8

