



US00D643854S

(12) **United States Design Patent**
Sugiyama et al.

(10) **Patent No.:** **US D643,854 S**

(45) **Date of Patent:** **** Aug. 23, 2011**

(54) **COVER FOR AN INTERNAL COMBUSTION ENGINE**

(75) Inventors: **Masaaki Sugiyama**, Kawagoe (JP); **Ryo Ono**, Kawagoe (JP); **Takashi Nakamura**, Kawagoe (JP); **Kiyoshi Anbo**, Higashiyamoto (JP)

(73) Assignee: **Husqvarna Zenoah Co., Ltd.** (JP)

(**) Term: **14 Years**

(21) Appl. No.: **29/380,981**

(22) Filed: **Dec. 14, 2010**

(30) **Foreign Application Priority Data**

Jun. 28, 2010 (JP) 2010-015715

(51) **LOC (9) Cl.** **15-01**

(52) **U.S. Cl.** **D15/5**

(58) **Field of Classification Search** D15/1,
D15/2, 3, 5, 6, 14, 17, 149; 123/22, 41.34,
123/51 A, 606 R, 52.1, 50 A, 50 B, 54.1,
123/54.2, 54.4, 54.5, 65 R, 195 R, 195 HC,
123/657, 311

See application file for complete search history.

(56) **References Cited**

U.S. PATENT DOCUMENTS

D361,336	S	*	8/1995	Tinius	D15/1
D416,265	S	*	11/1999	Kato et al.	D15/1
D521,528	S	*	5/2006	Kamijo et al.	D15/1
D525,990	S	*	8/2006	Ono et al.	D15/1
D589,056	S	*	3/2009	Matsuoka et al.	D15/1
D599,822	S	*	9/2009	Okuda	D15/1

* cited by examiner

Primary Examiner — T. Chase Nelson

Assistant Examiner — Ania Dworzecka

(74) *Attorney, Agent, or Firm* — Fish & Richardson P.C.

(57) **CLAIM**

The ornamental design for a cover for an internal combustion engine, as shown.

DESCRIPTION

FIG. 1 is a front perspective view of a cover for an internal combustion engine showing our new design;

FIG. 2 is a rear perspective view thereof;

FIG. 3 is a front view thereof;

FIG. 4 is a rear view thereof;

FIG. 5 is a top plan view thereof;

FIG. 6 is a bottom plan view thereof;

FIG. 7 is a right side view thereof; and,

FIG. 8 is a left side view thereof.

Portions of the engine cover shown in broken lines form no part of the claimed design.

1 Claim, 8 Drawing Sheets

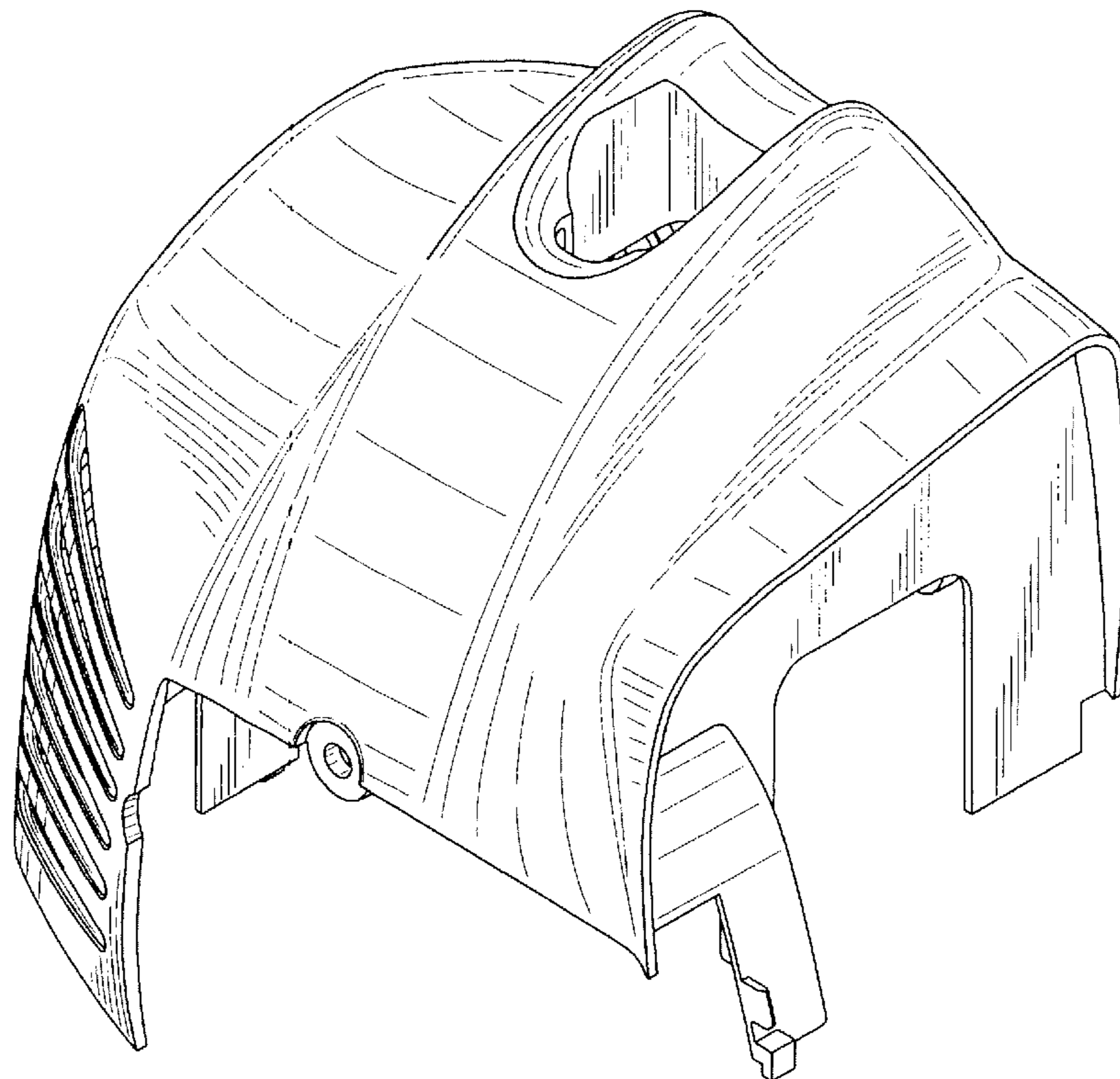


FIG. 1

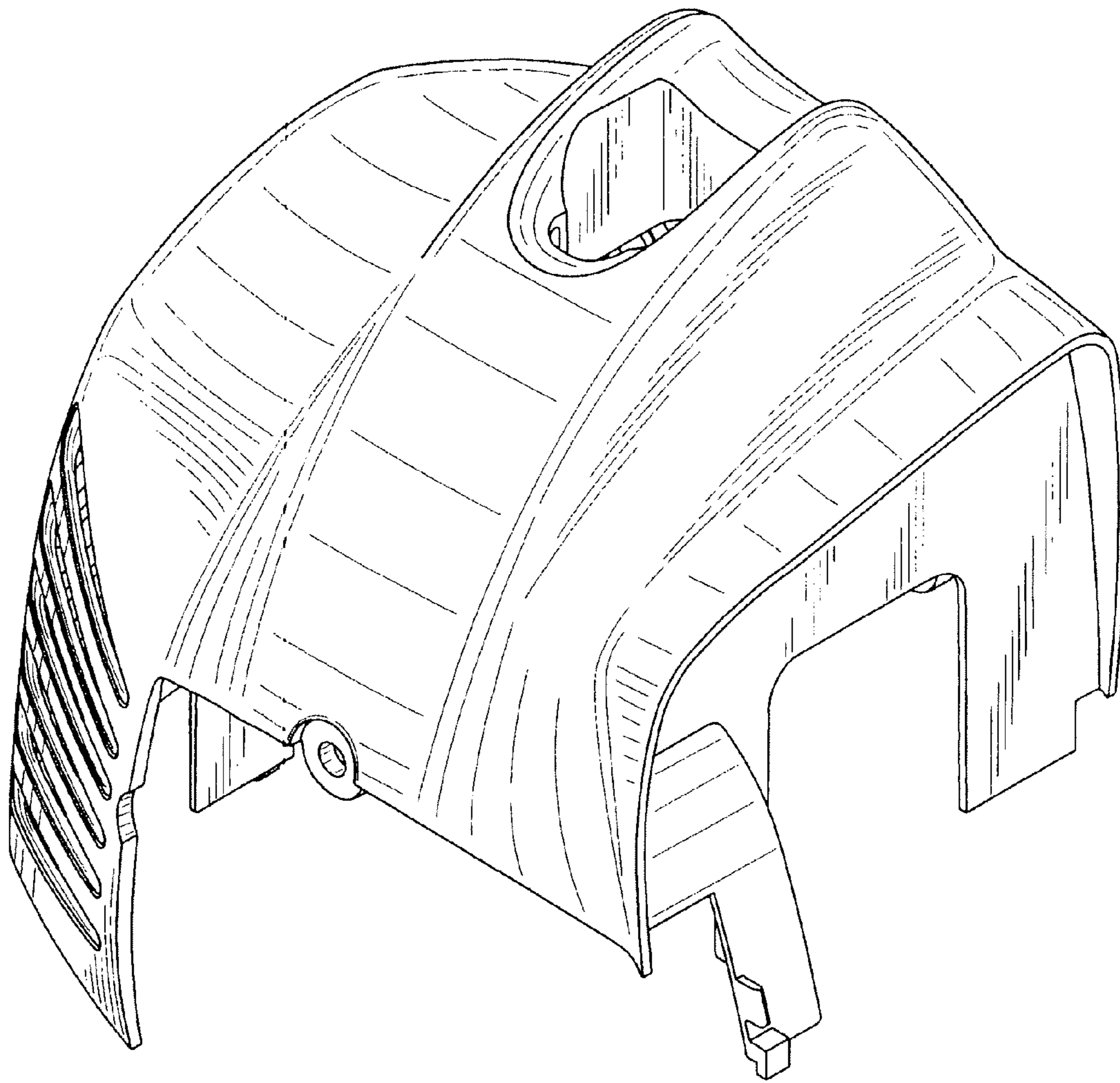


FIG. 2

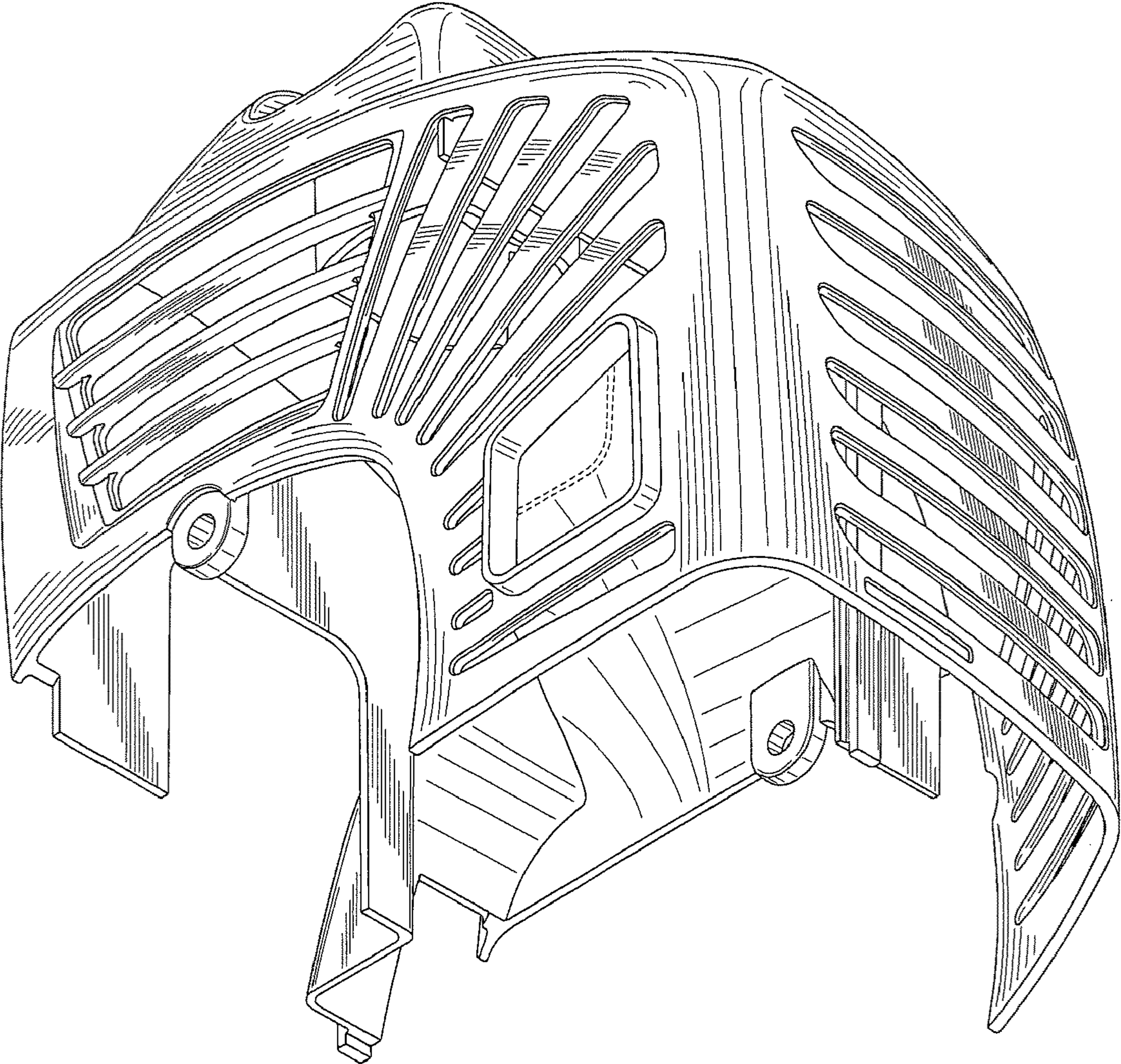


FIG. 3

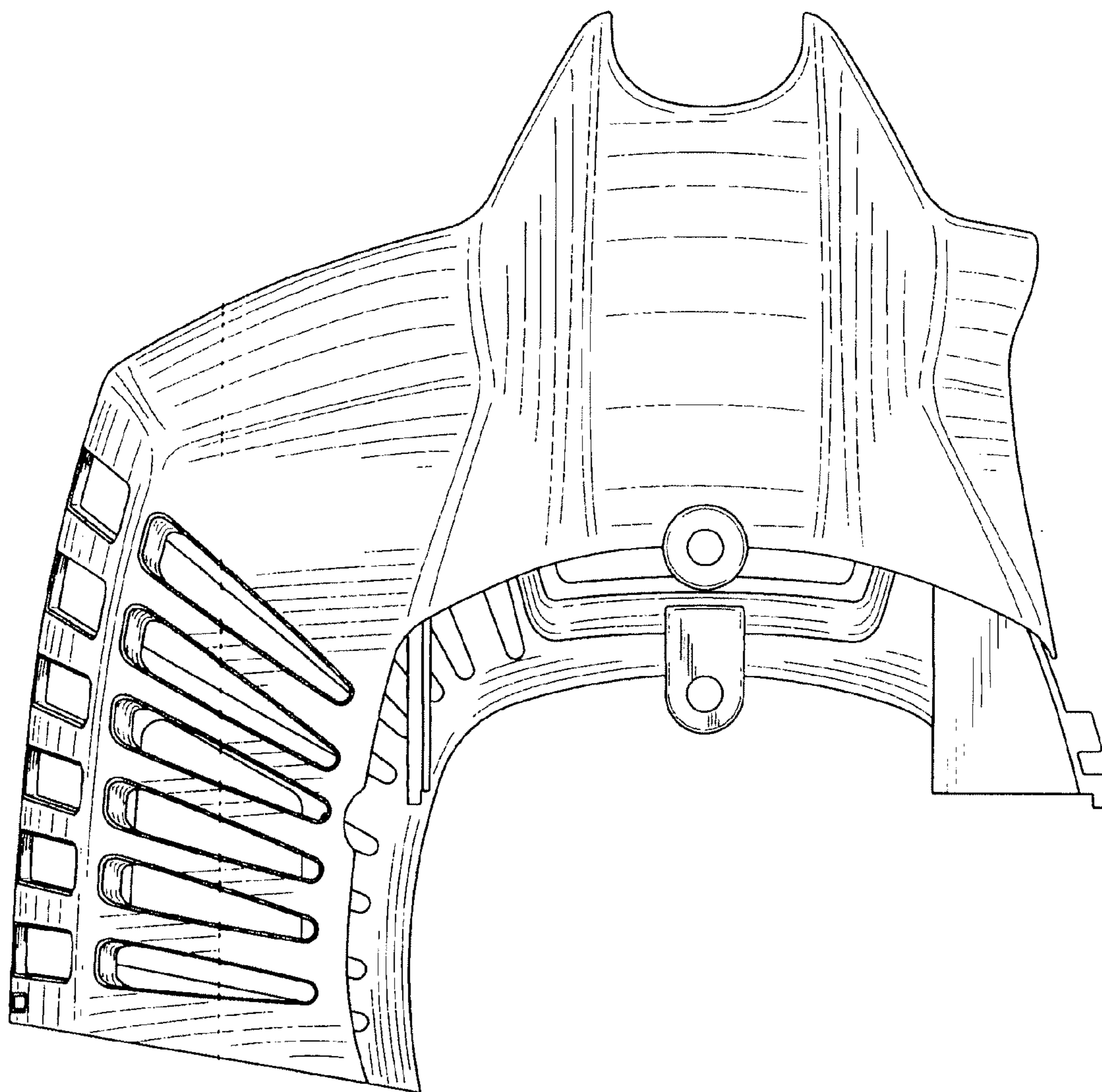


FIG. 4

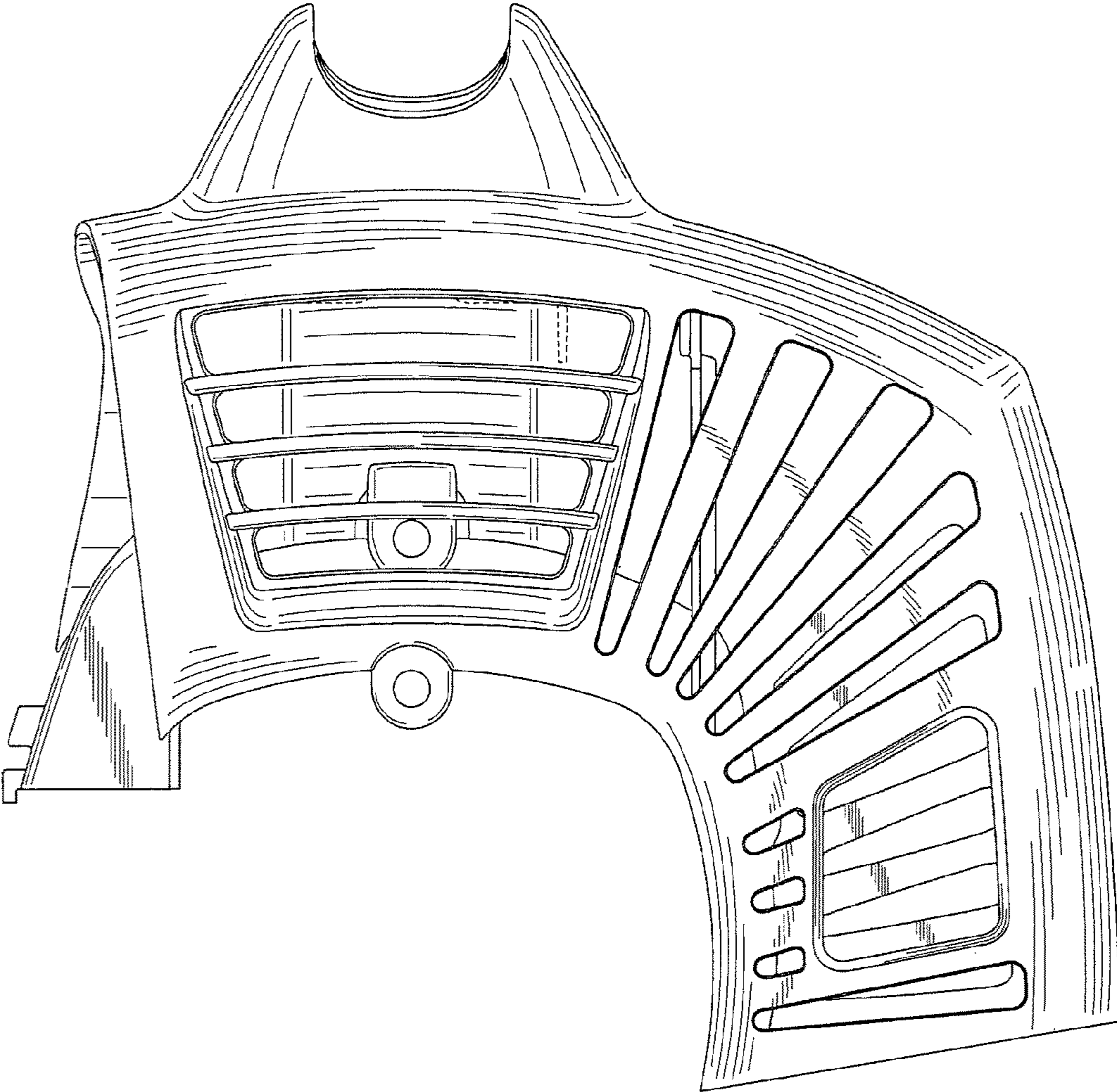


FIG. 5

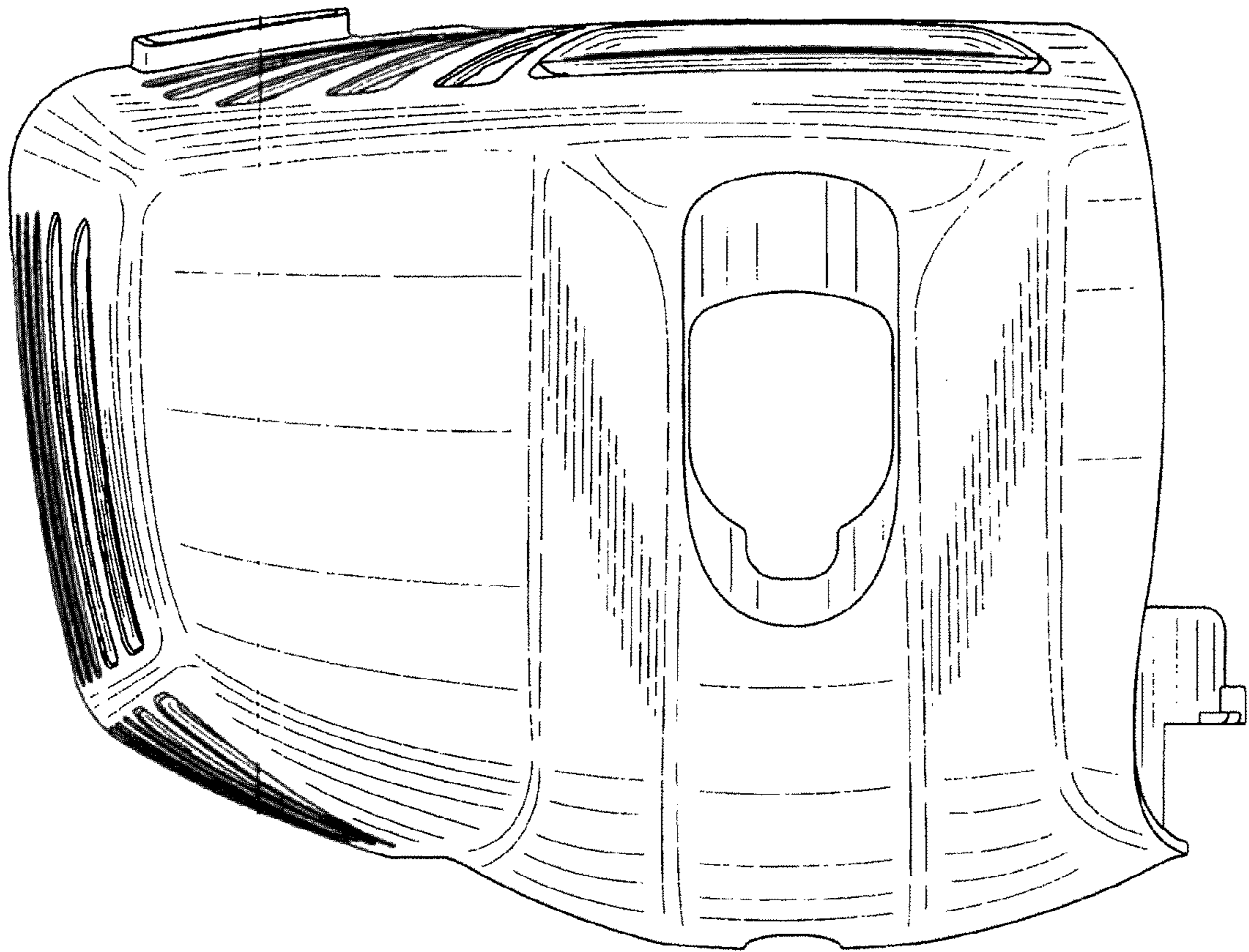


FIG. 6

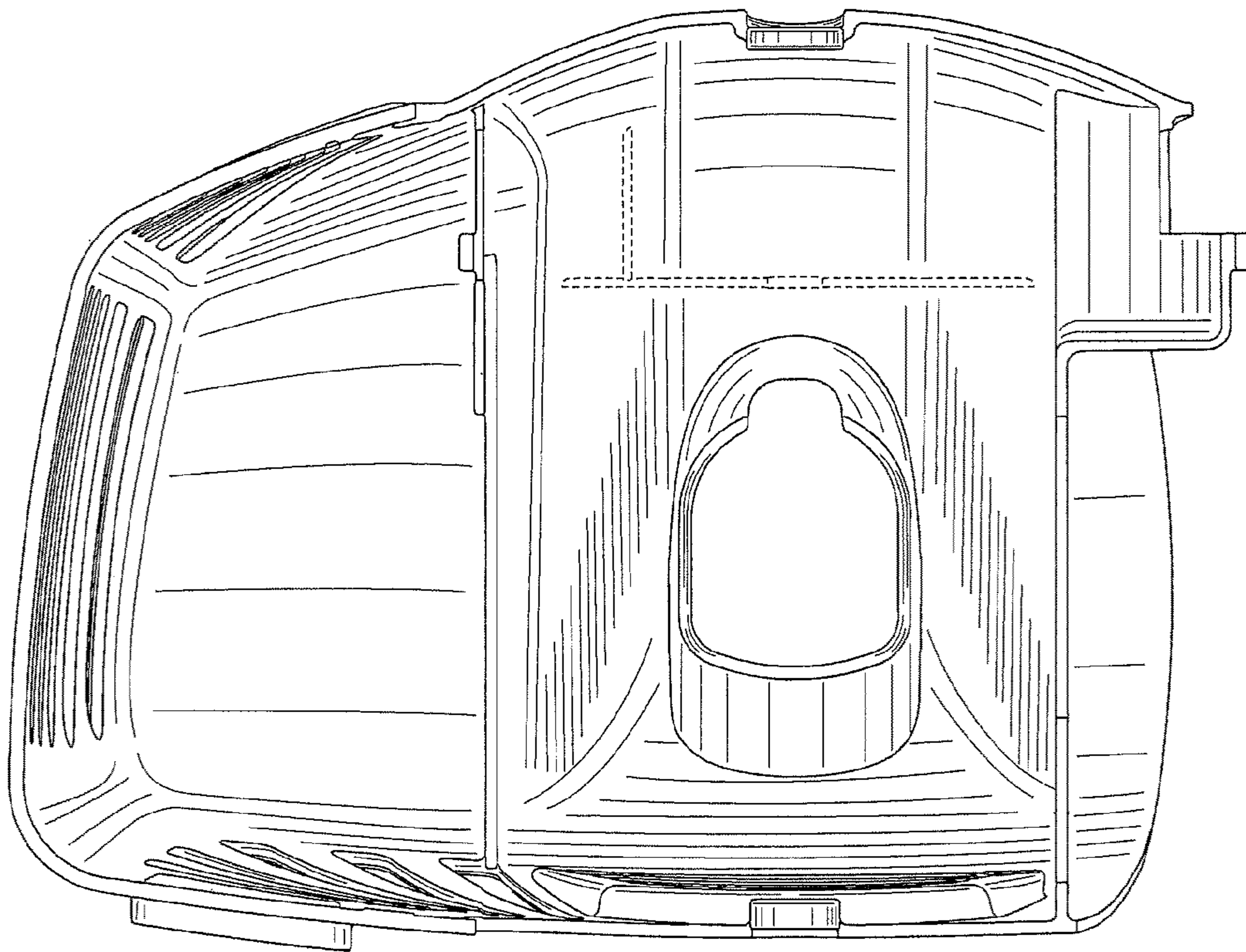


FIG. 7

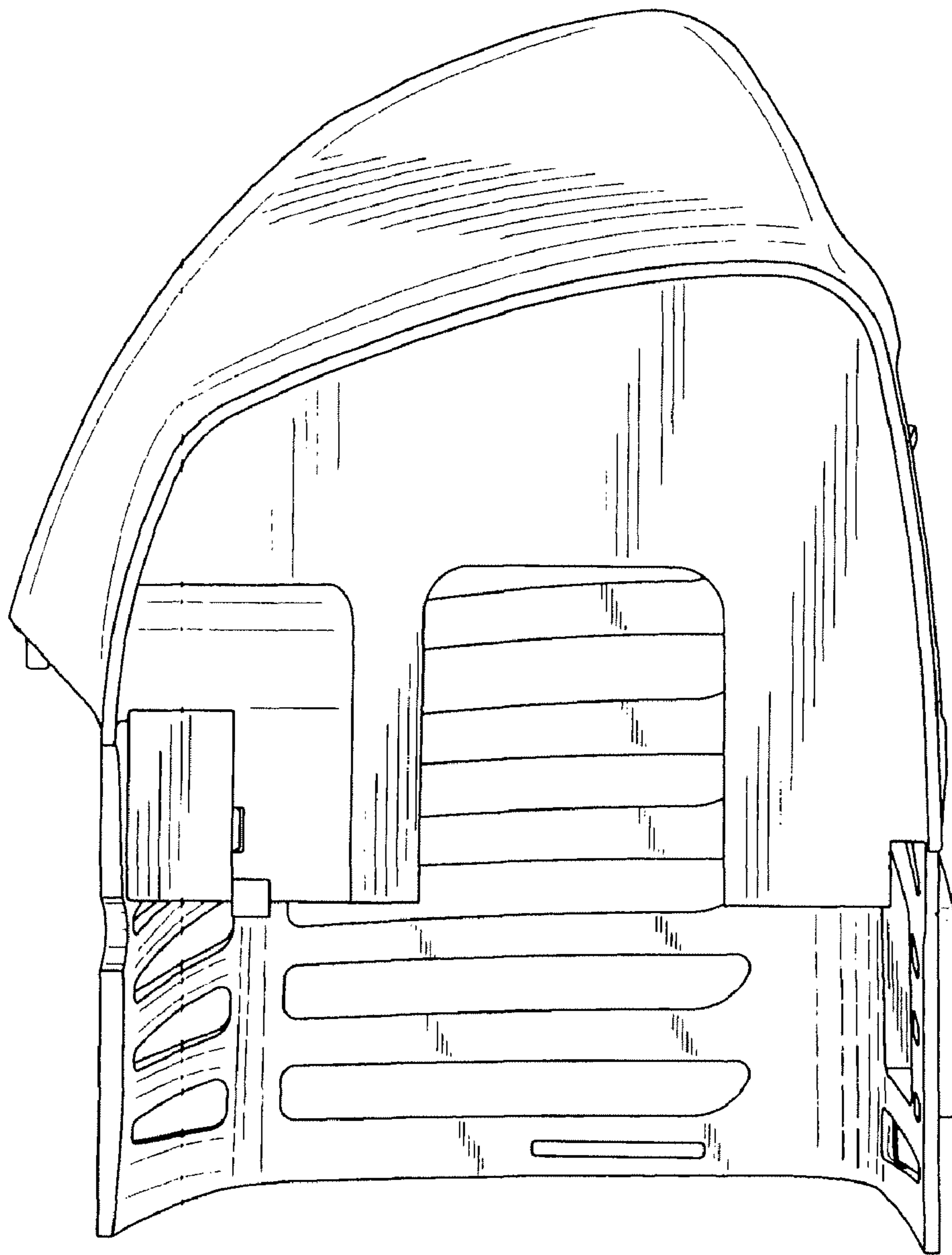


FIG. 8

